

United States Patent [19]

Nally et al.

[11] Patent Number: **Des. 297,465**

[45] Date of Patent: **** Aug. 30, 1988**

[54] **COMBINED SHEET METAL FLASHING AND BITUMEN MEMBRANE STRIP FOR ONE PLY ROOFING SYSTEM**

[75] Inventors: **Robert F. Nally; Herby J. Rodgers,** both of Sacramento, Calif.

[73] Assignee: **U.S. Intec, Inc.,** Port Arthur, Tex.

[**] Term: **14 Years**

[21] Appl. No.: **740,620**

[22] Filed: **Jun. 3, 1985**

[52] U.S. Cl. **D25/119**

[58] Field of Search **52/58, 408, 411, 404, 52/288; D25/119**

[56] **References Cited**

U.S. PATENT DOCUMENTS

3,243,926 4/1966 Keyt **D25/119 X**

3,287,867 11/1966 Alton **52/288 X**

Primary Examiner—A. Hugo Word
Attorney, Agent, or Firm—Lothrop & West

[57] **CLAIM**

The ornamental design for a combined sheet metal flashing and bitumen membrane strip for one ply roofing system, as shown and described.

DESCRIPTION

FIG. 1 is a perspective view of a combined sheet metal flashing and bitumen membrane strip for one ply roofing system, showing our new design;

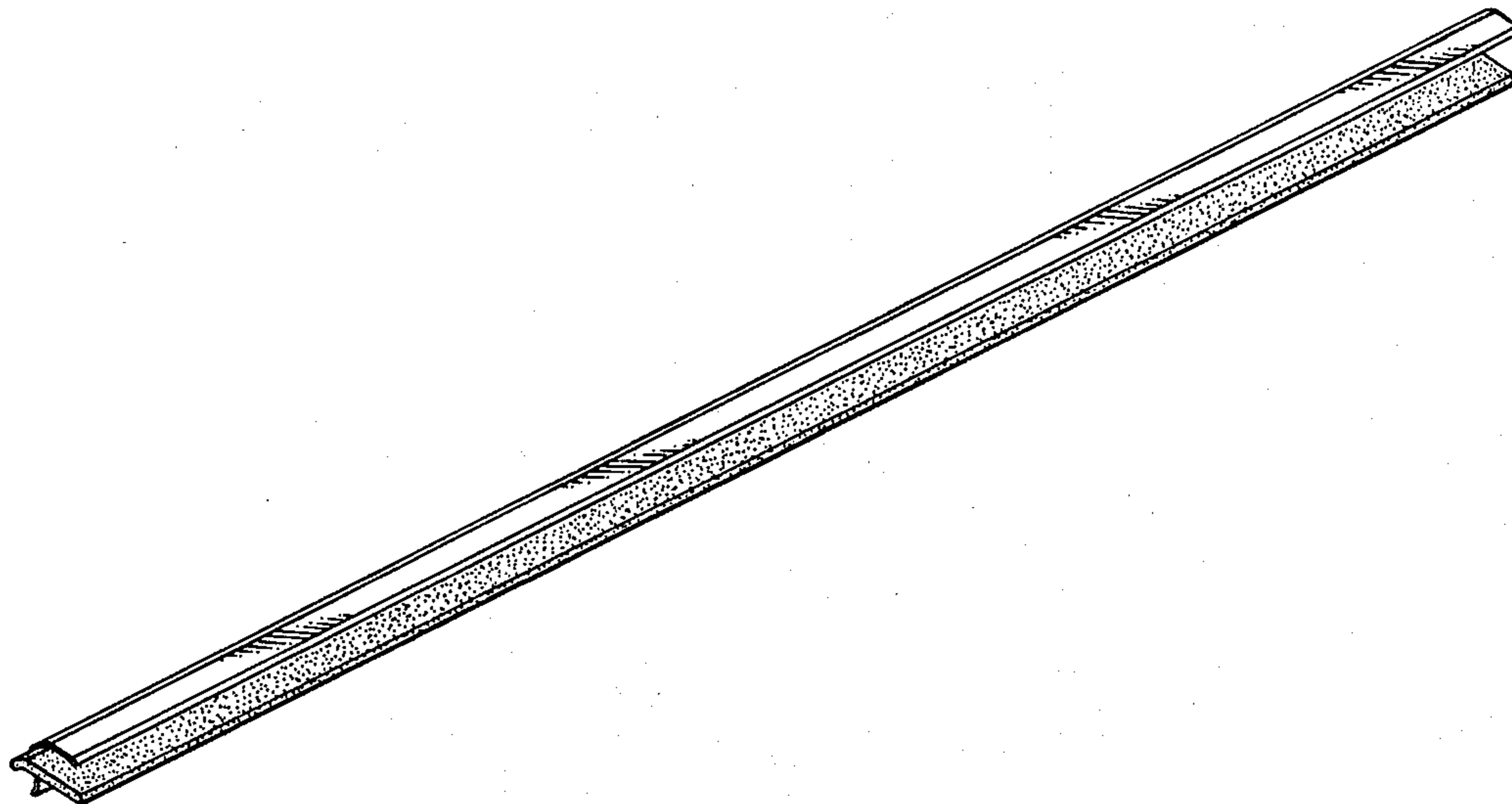
FIG. 2 is an elevational view, to an enlarged scale, of one end thereof, the opposite end being a mirror image of the view shown;

FIG. 3 is a top plan view thereof;

FIG. 4 is a bottom plan view thereof;

FIG. 5 is a front elevational view thereof; and,

FIG. 6 is a rear elevational view thereof.



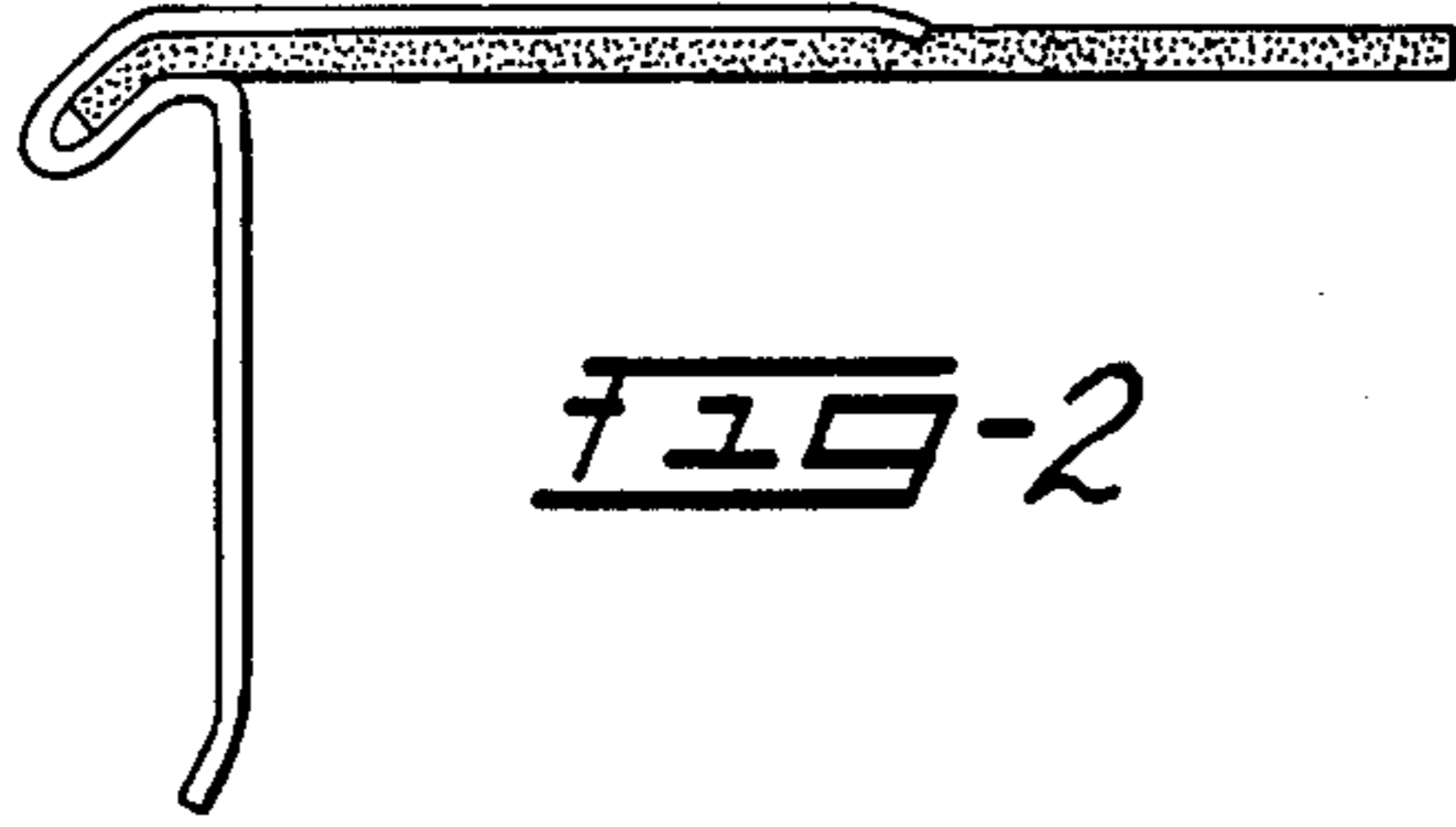


FIG-2

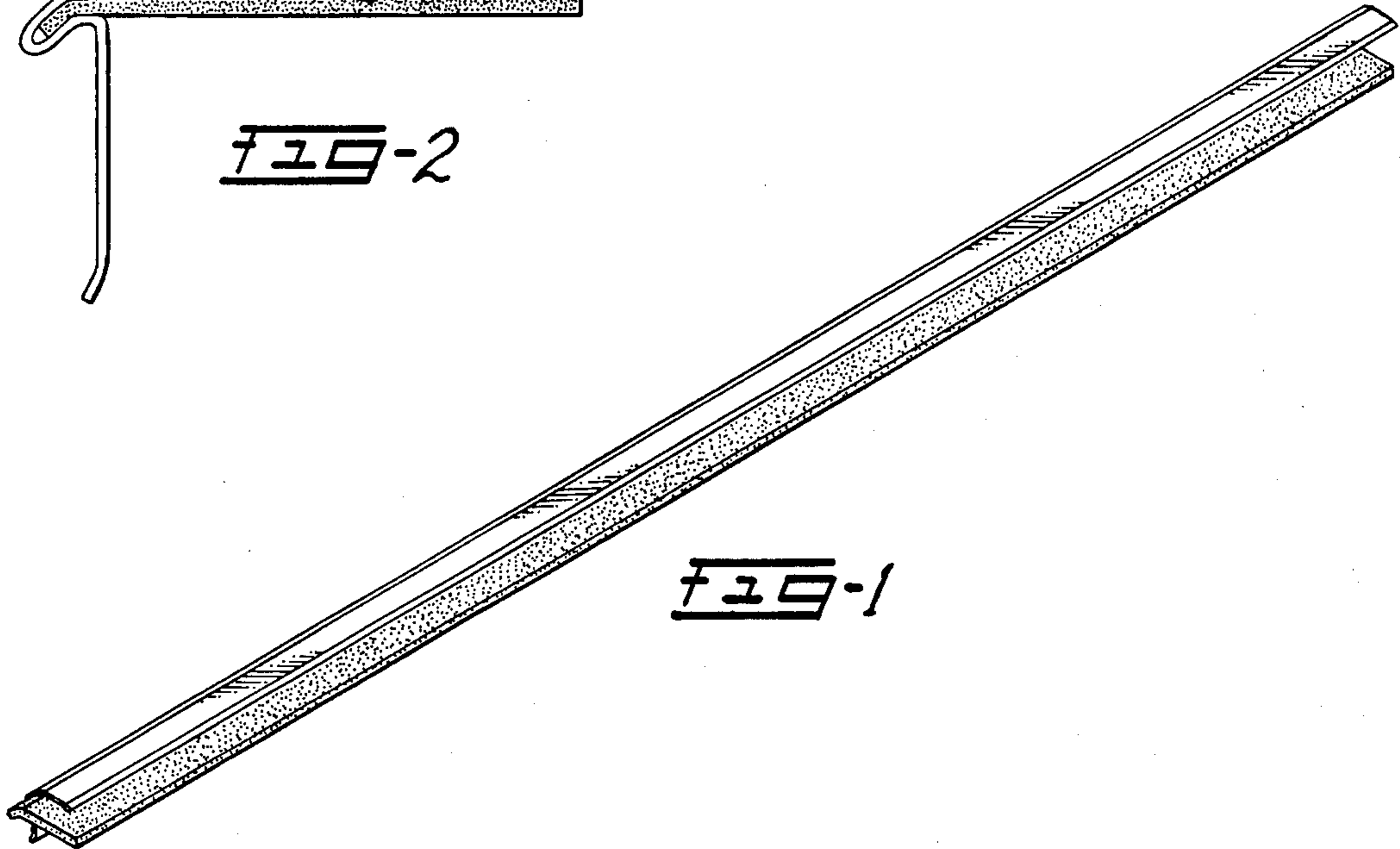


FIG-1

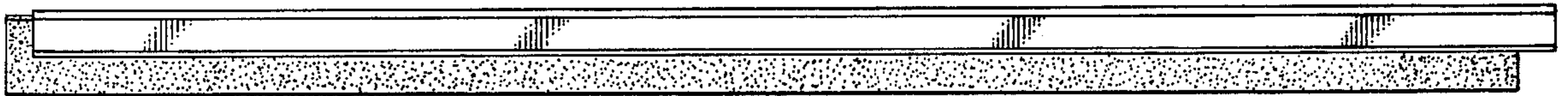


FIG-3

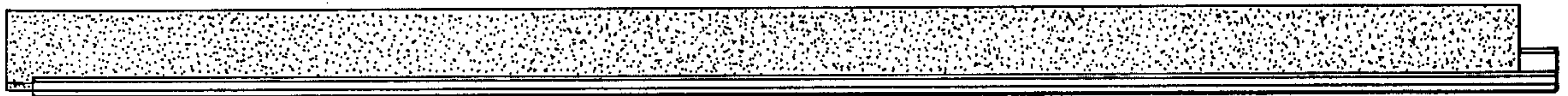


FIG-4



FIG-5

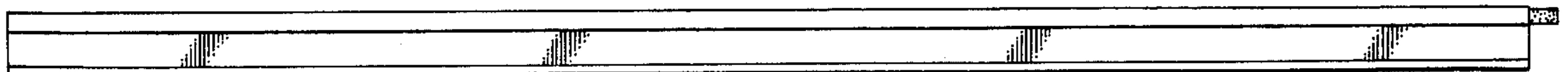


FIG-6