

[54] WALL BLOCK

[75] Inventor: Paul J. Forsberg, Richfield, Minn.

[73] Assignee: Keystone Retaining Wall Systems, Inc., Edina, Minn.

[**] Term: 14 Years

[21] Appl. No.: 870,860

[22] Filed: Jun. 2, 1986

[52] U.S. Cl. D25/114

[58] Field of Search 405/284, 285, 286, 33; 404/41, 42, 34; 52/608, 605; D25/113, 114, 58

[56] References Cited

U.S. PATENT DOCUMENTS

126,547	5/1872	Hickcox .	
228,052	5/1880	Frost .	
D. 237,704	11/1974	Lane	D25/116
810,748	1/1906	Haller et al. .	
1,414,444	5/1922	Straight .	
1,456,498	5/1923	Binns .	
2,235,646	3/1941	Schaffer .	
2,963,828	12/1960	Belliveau .	
3,036,407	5/1962	Dixon .	
3,274,742	9/1966	Paul, Jr. et al. .	
3,390,502	7/1968	Carroll .	

(List continued on next page.)

Attorney, Agent, or Firm—Burd, Bartz & Gutenkauf

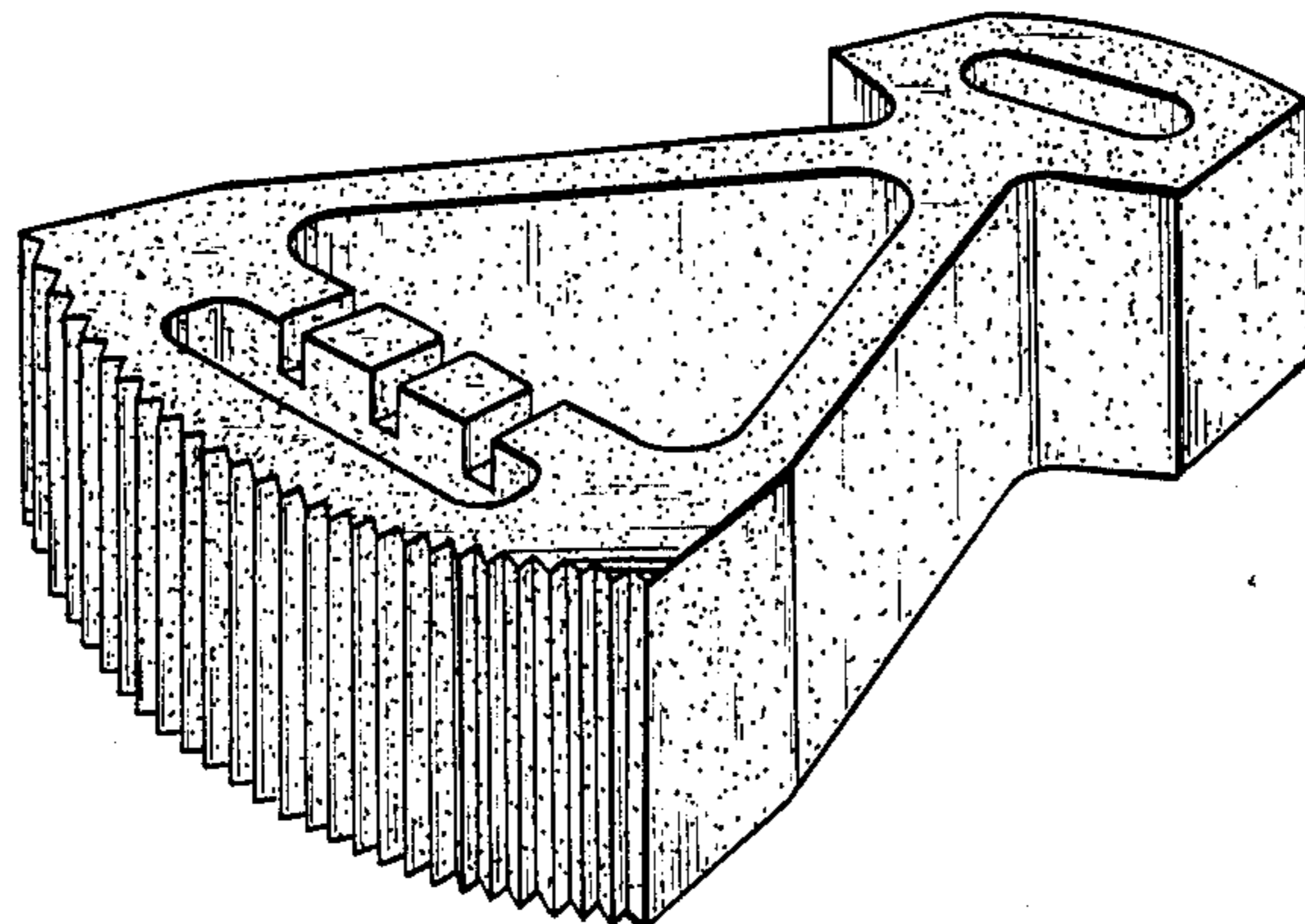
[57] CLAIM

The ornamental design of a wall block, substantially as shown and described.

DESCRIPTION

FIG. 1 is a perspective view of a first embodiment of the wall block showing my new design;
 FIG. 2 is a top view thereof;
 FIG. 3 is a bottom view thereof;
 FIG. 4 is a front view thereof;
 FIG. 5 is a rear view thereof;
 FIG. 6 is a sectional view taken along the line 6—6 of FIG. 2;

FIG. 7 is a sectional view taken along the line 7—7 of FIG. 3;
 FIG. 8 is a second modification of the wall block of my new design;
 FIG. 9 is a top view of FIG. 8;
 FIG. 10 is a bottom view of FIG. 8;
 FIG. 11 is a front view of FIG. 8;
 FIG. 12 is a rear view of FIG. 8;
 FIG. 13 is a sectional view taken along the line 13—13 of FIG. 9;
 FIG. 14 is a sectional view taken along the line 14—14 of FIG. 10;
 FIG. 15 is a perspective view of a third embodiment of the wall block of my new design;
 FIG. 16 is a top view of FIG. 15;
 FIG. 17 is a bottom view of FIG. 15;
 FIG. 18 is a front view of FIG. 15;
 FIG. 19 is a rear view of FIG. 15;
 FIG. 20 is a sectional view taken along the line 20—20 of FIG. 16;
 FIG. 21 is a sectional view taken along the line 21—21 of FIG. 17;
 FIG. 22 is a perspective view of a fourth embodiment of the wall block of my new design;
 FIG. 23 is a top view of FIG. 22;
 FIG. 24 is a bottom view of FIG. 22;
 FIG. 25 is a front view of FIG. 22;
 FIG. 26 is a rear view of FIG. 22;
 FIG. 27 is a sectional view taken along the line 27—27 of FIG. 23;
 FIG. 28 is a sectional view taken along the line 28—28 of FIG. 24;
 FIG. 29 is a perspective view of a fifth embodiment of the wall block of my new design;
 FIG. 30 is a top view of FIG. 29;
 FIG. 31 is a bottom view of FIG. 29;
 FIG. 32 is a front view of FIG. 29;
 FIG. 33 is a rear view of FIG. 29;
 FIG. 34 is a sectional view taken along the line 34—34 of FIG. 30; and
 FIG. 35 is a sectional view taken along the line 35—35 of FIG. 31.



U.S. PATENT DOCUMENTS

3,430,404 3/1969 Muse .
3,557,505 3/1969 Muse .
3,936,987 1/1971 Kaul .
4,016,693 4/1977 Warren 52/605 X
4,110,948 9/1978 Cambiuzzi et al. .
4,207,718 6/1980 Schaaf et al. .
4,208,850 6/1980 Collier .
4,228,628 10/1980 Schlomann .
4,229,123 10/1980 Heinzmann .
4,335,549 6/1982 Dean 52/98
4,454,699 6/1984 Strobl .

4,524,551 6/1985 Scheiwiller .
4,572,699 2/1986 Rinninger .

OTHER PUBLICATIONS

The Besser Company brochure, "Modular Concrete Block", 1984.
The Besser Company brochure, "Paving Stone", Jun., 1984.
The Besser Company Bulletin, Feb. 1985.
Primary Examiner—A. Hugo Word

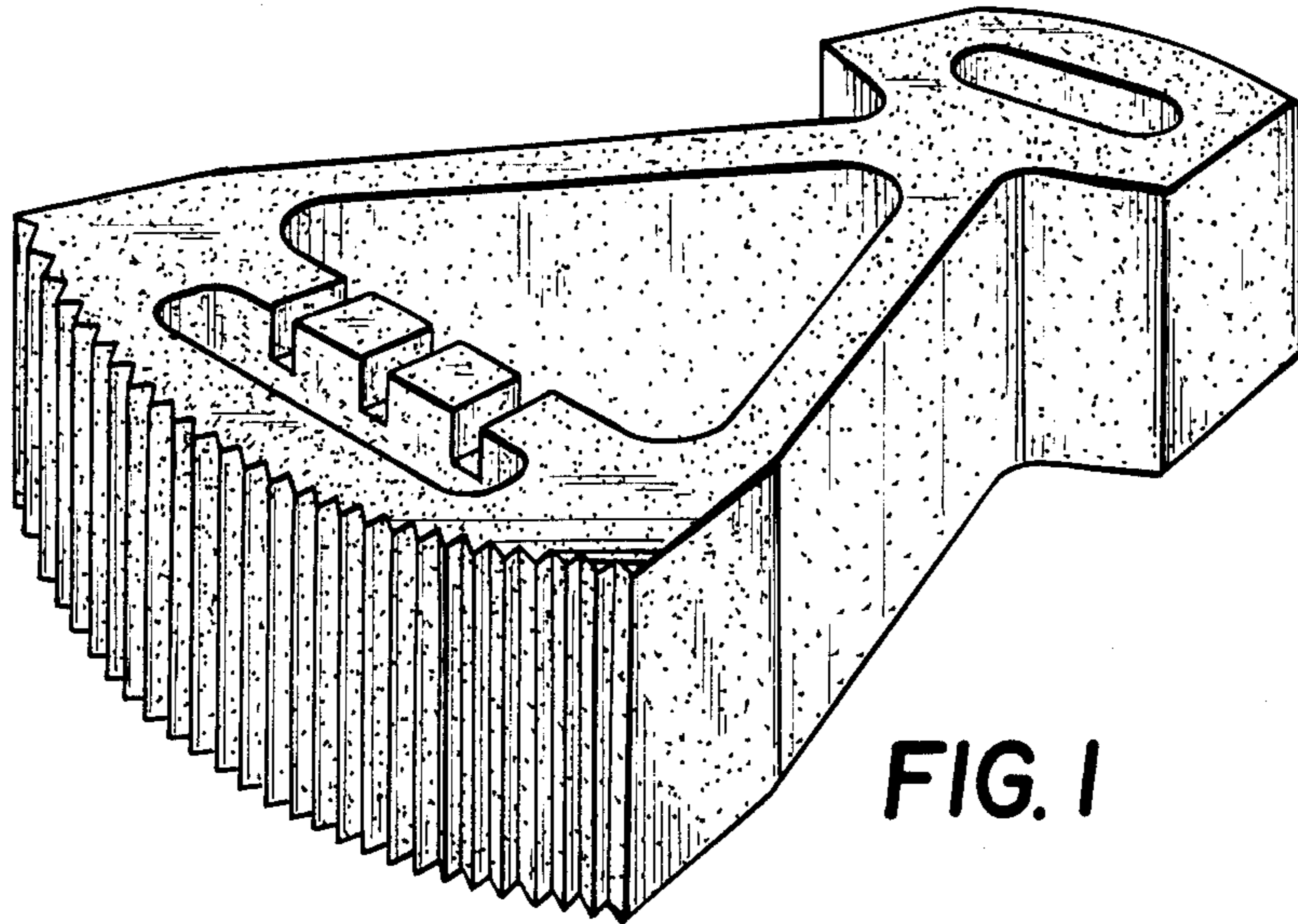


FIG. 1

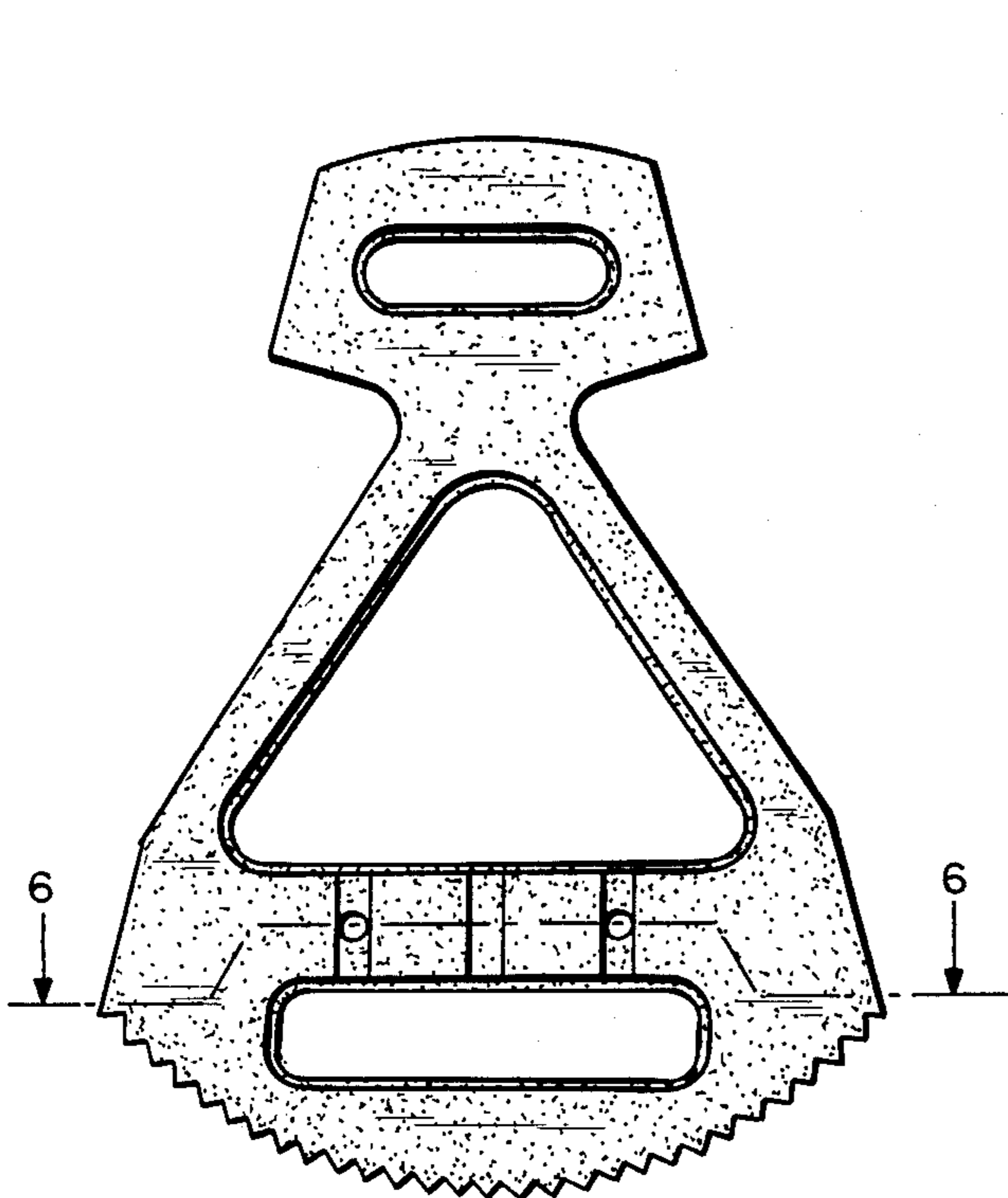


FIG. 2

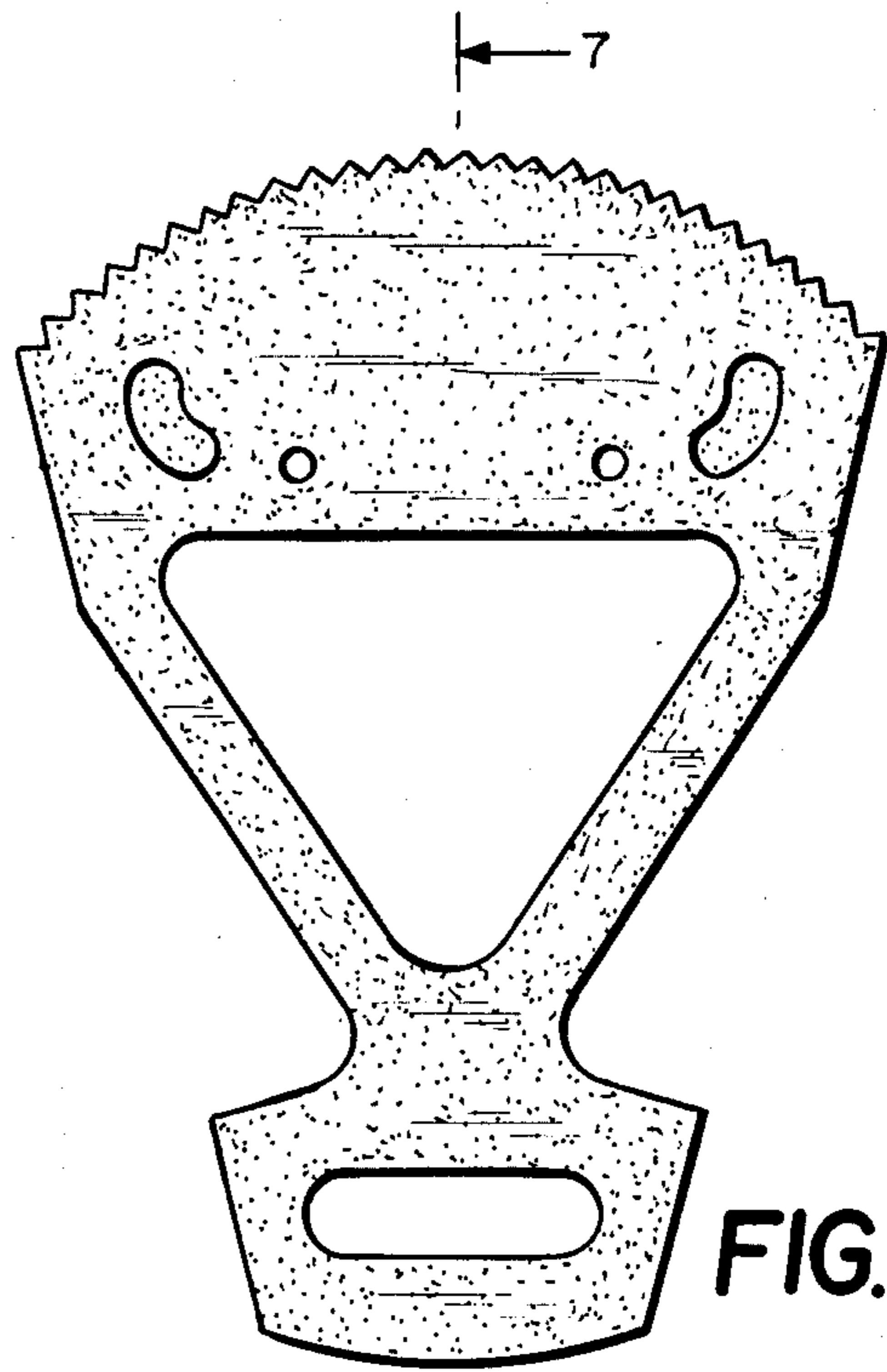


FIG. 3

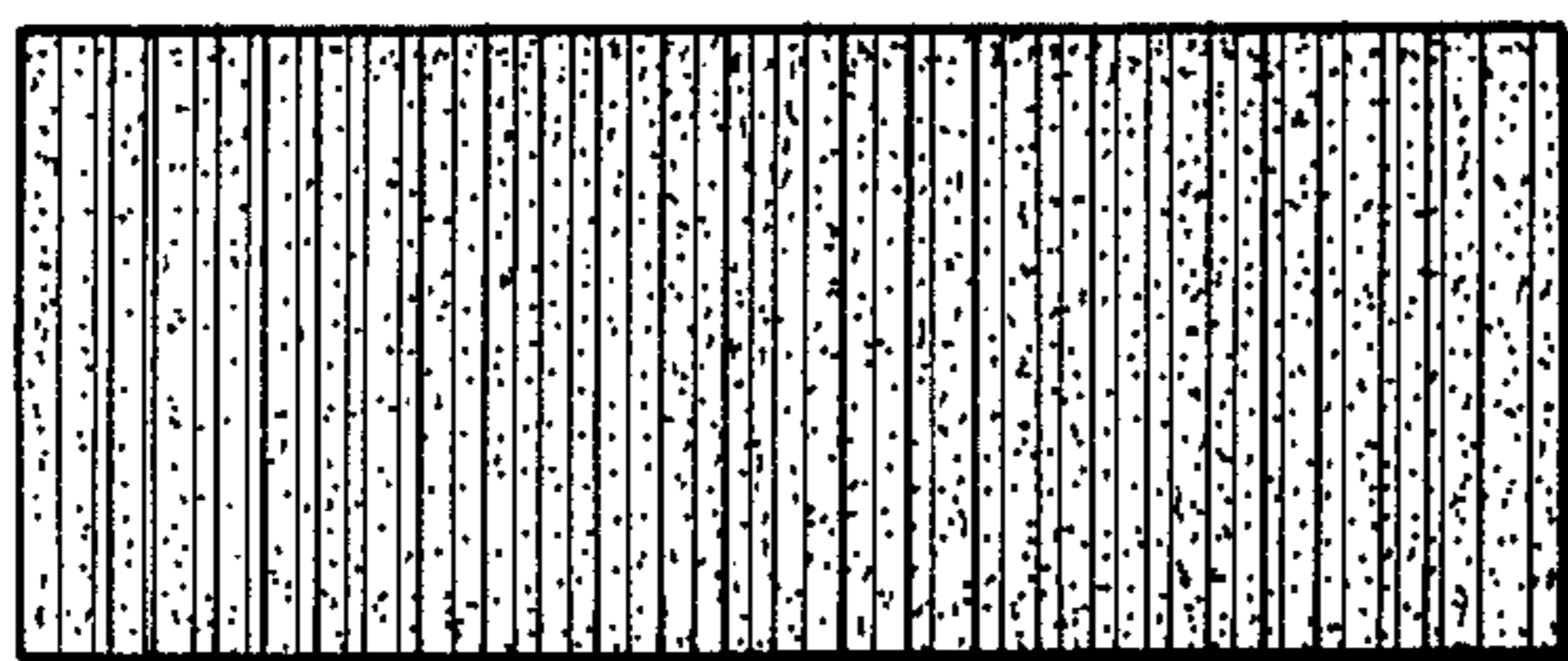


FIG. 4

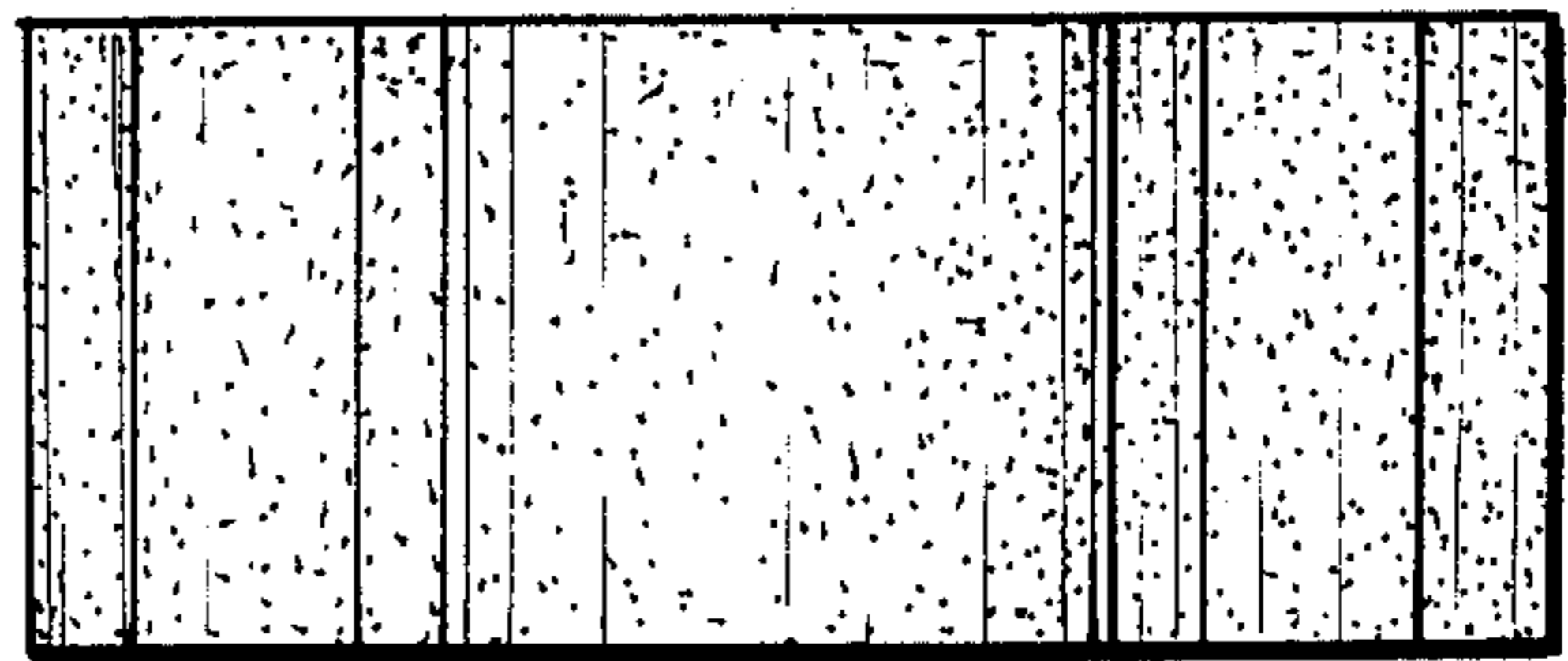


FIG. 5

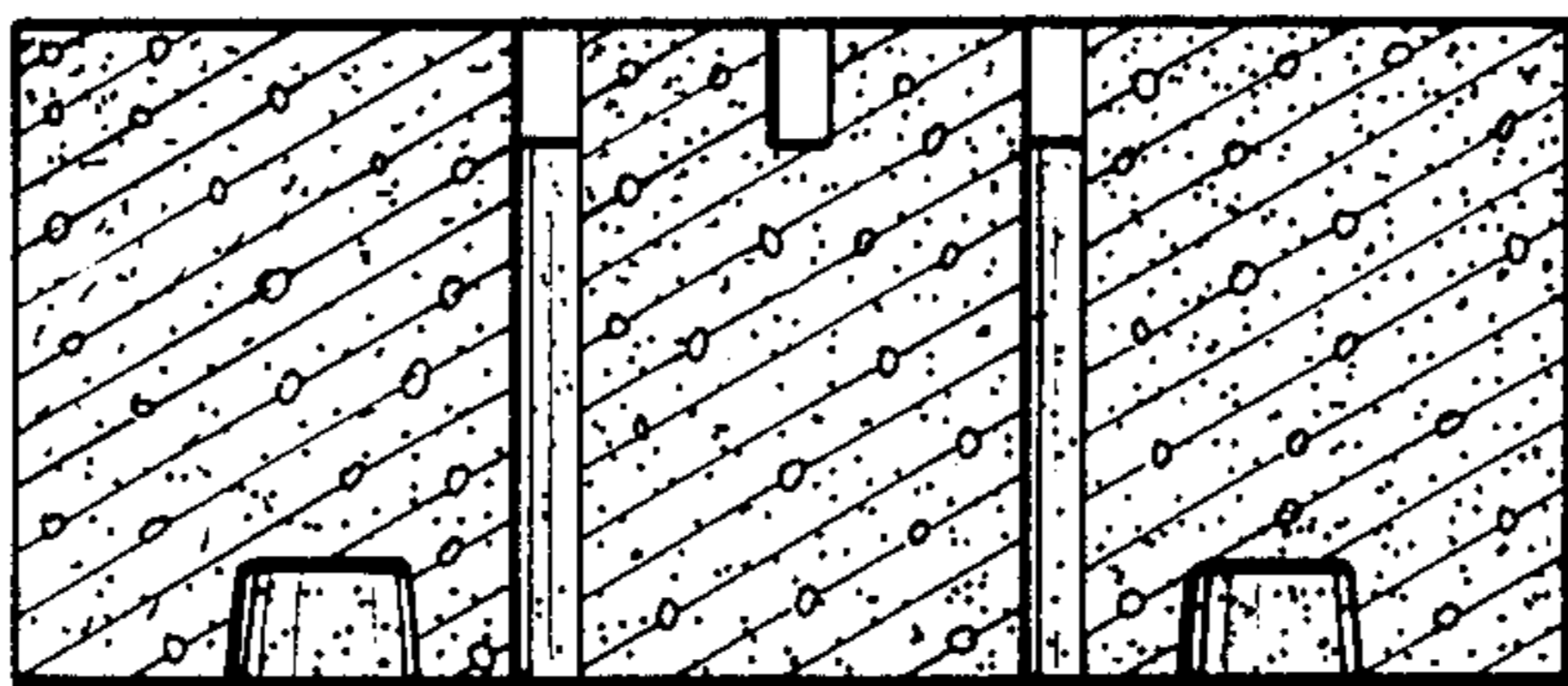


FIG. 6

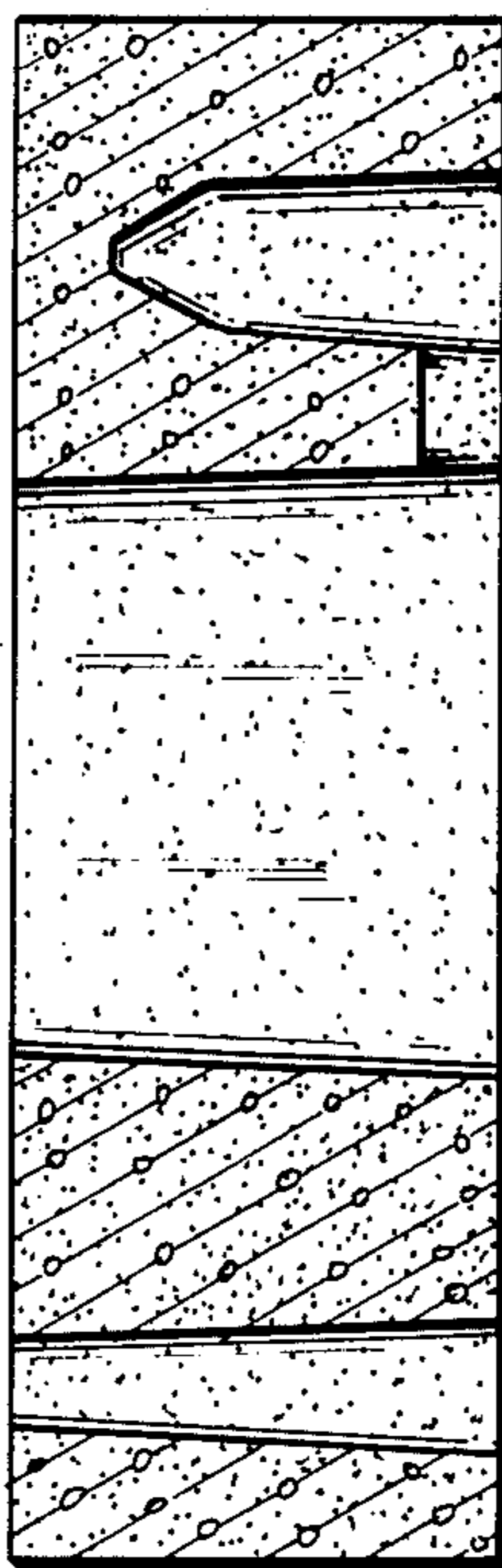


FIG. 7

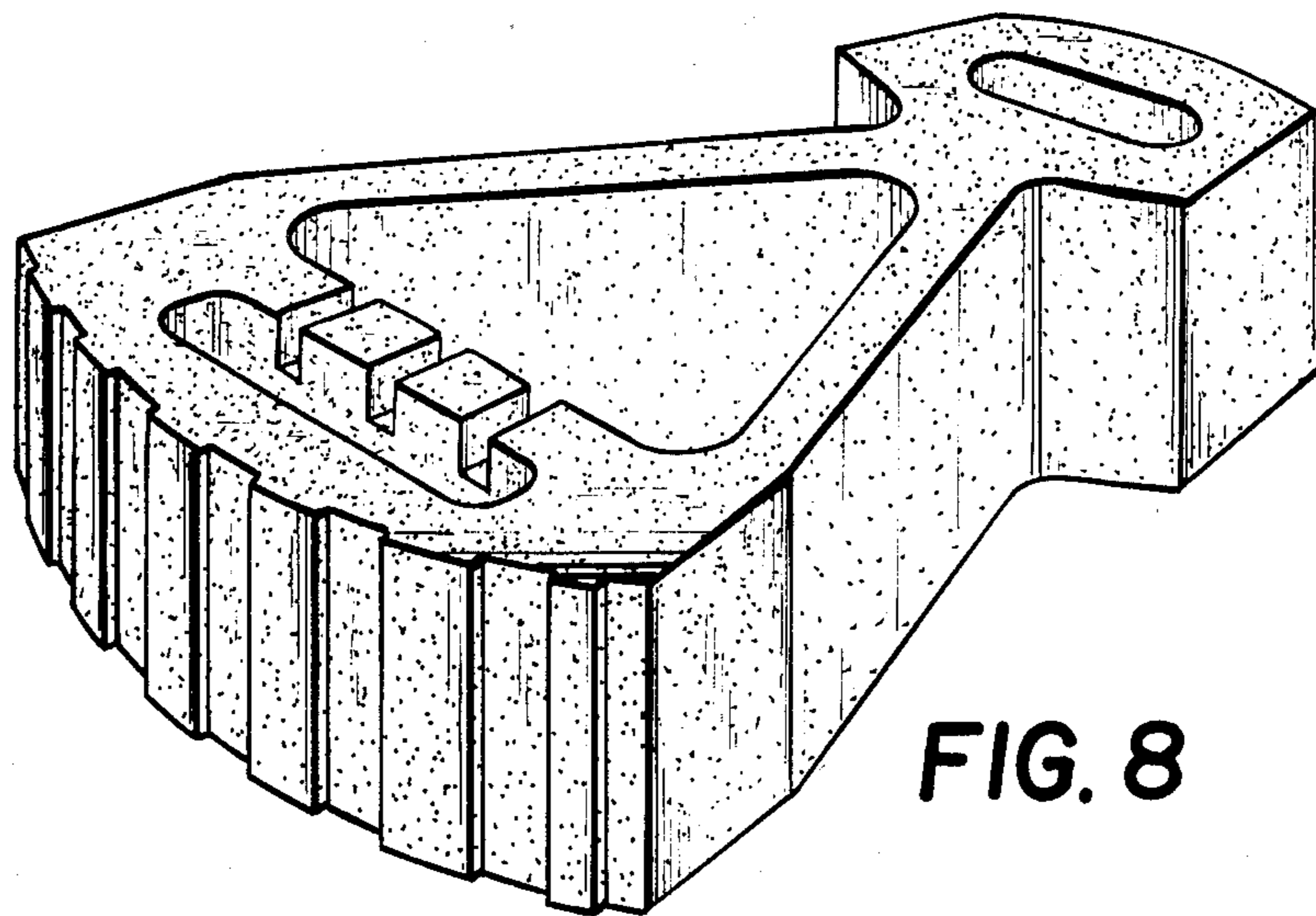


FIG. 8

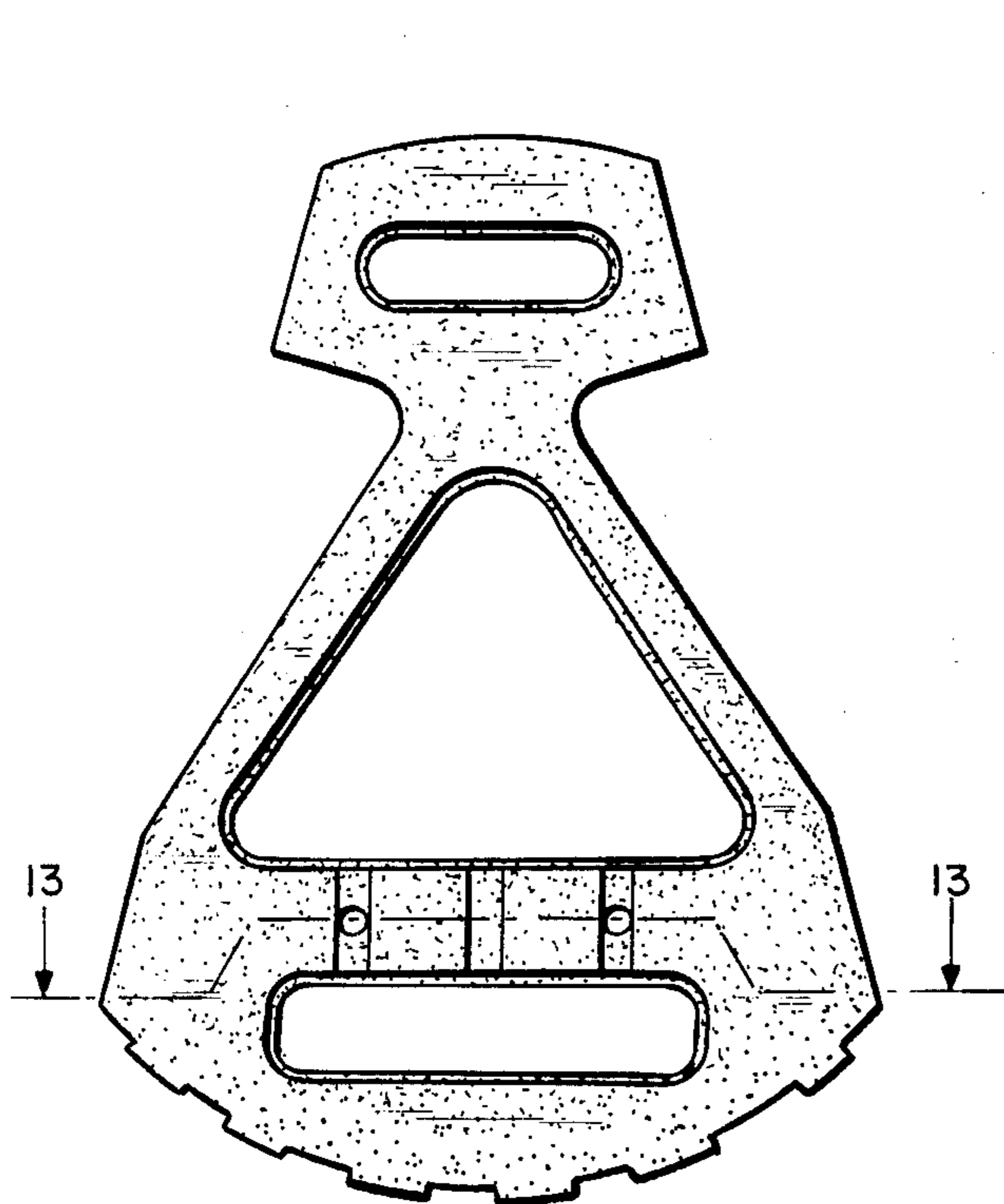


FIG. 9

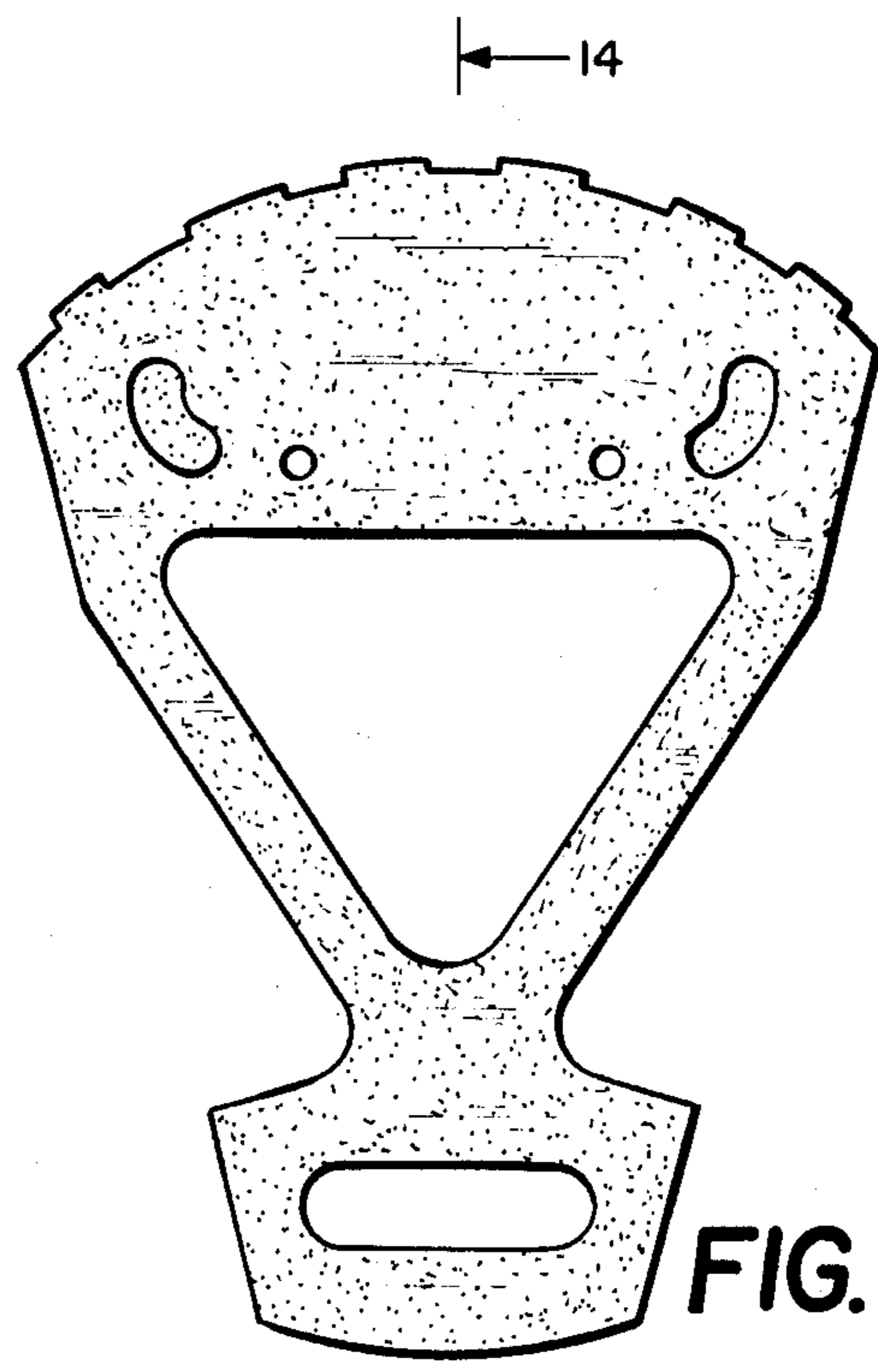


FIG. 10

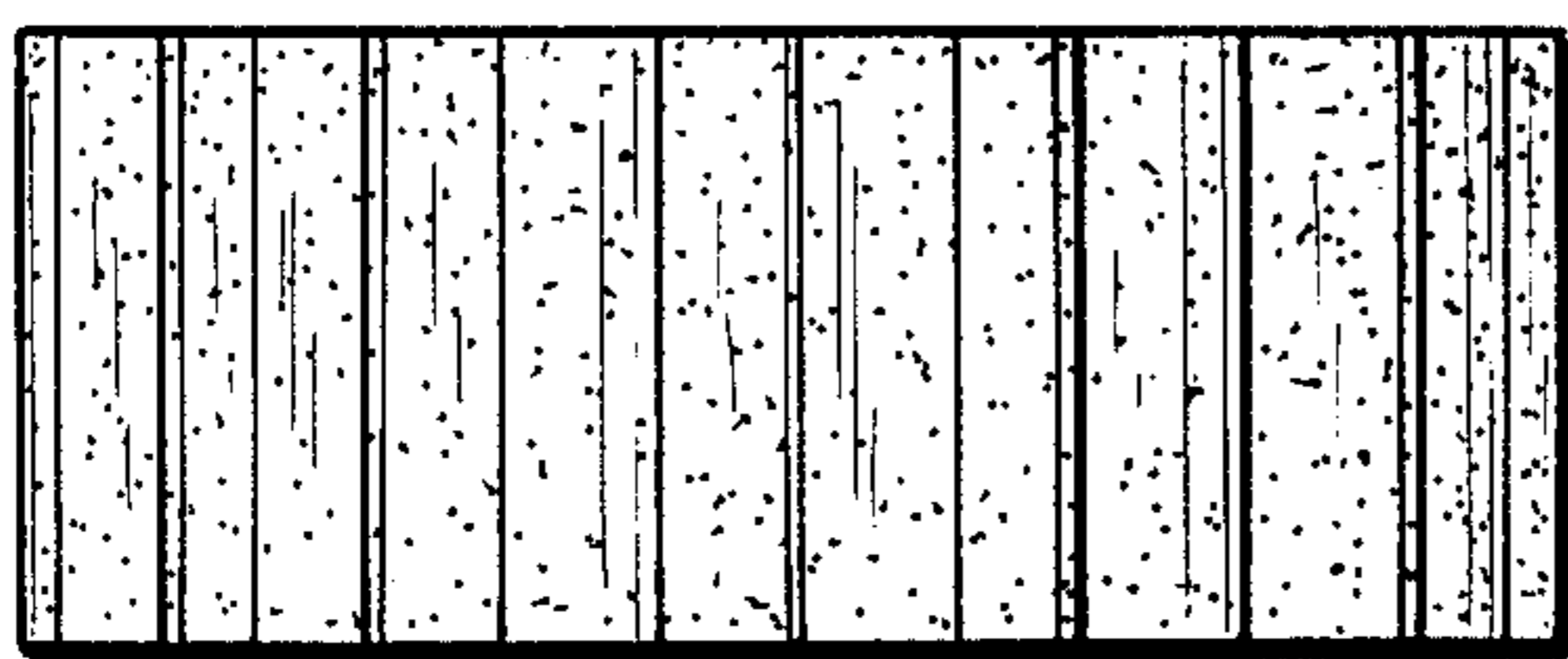


FIG. 11

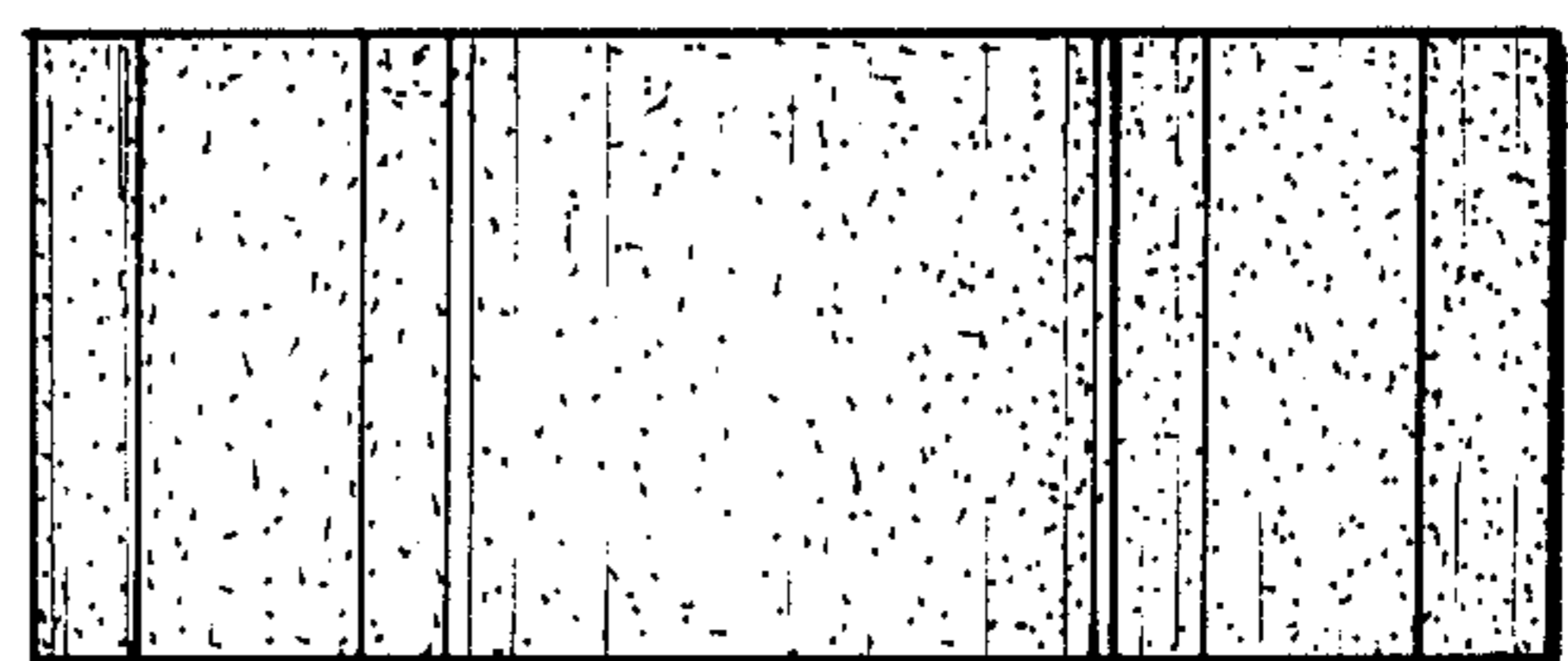


FIG. 12

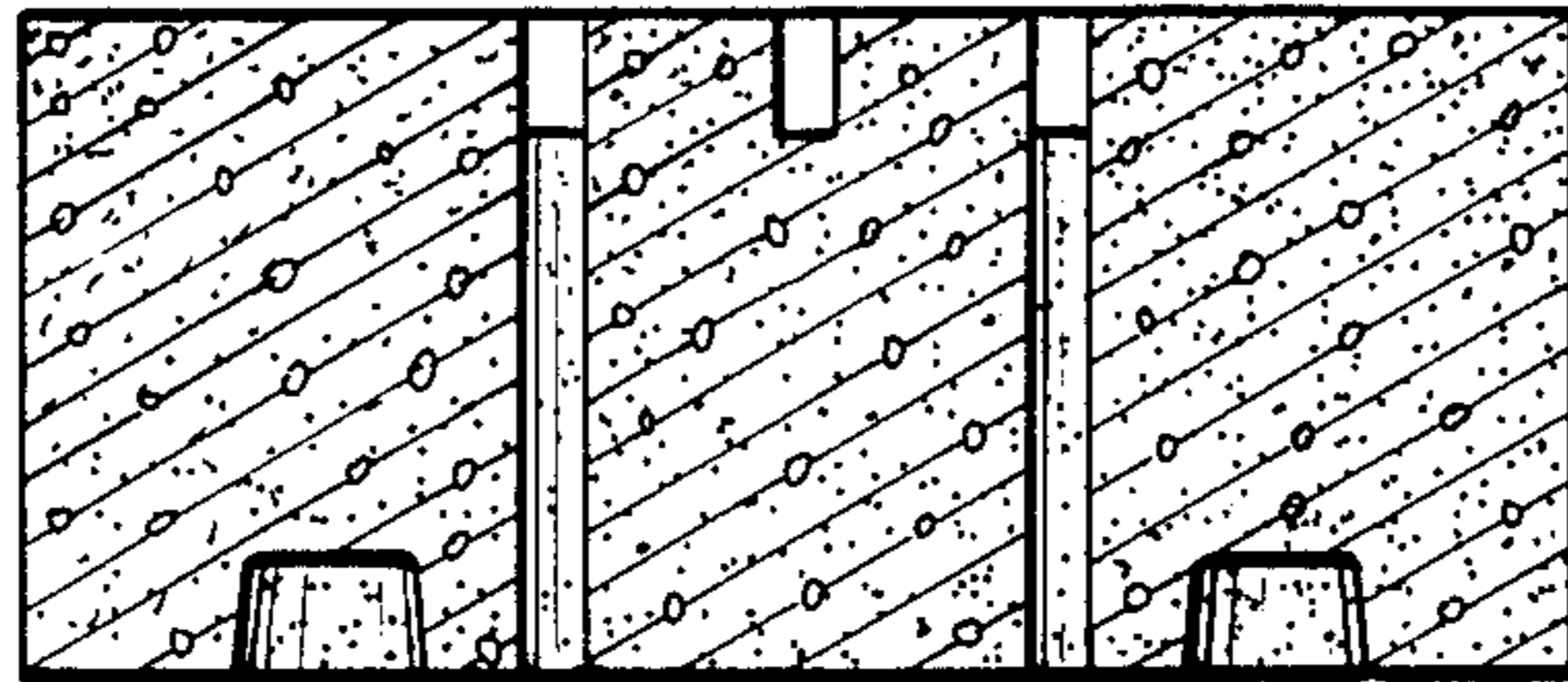


FIG. 13

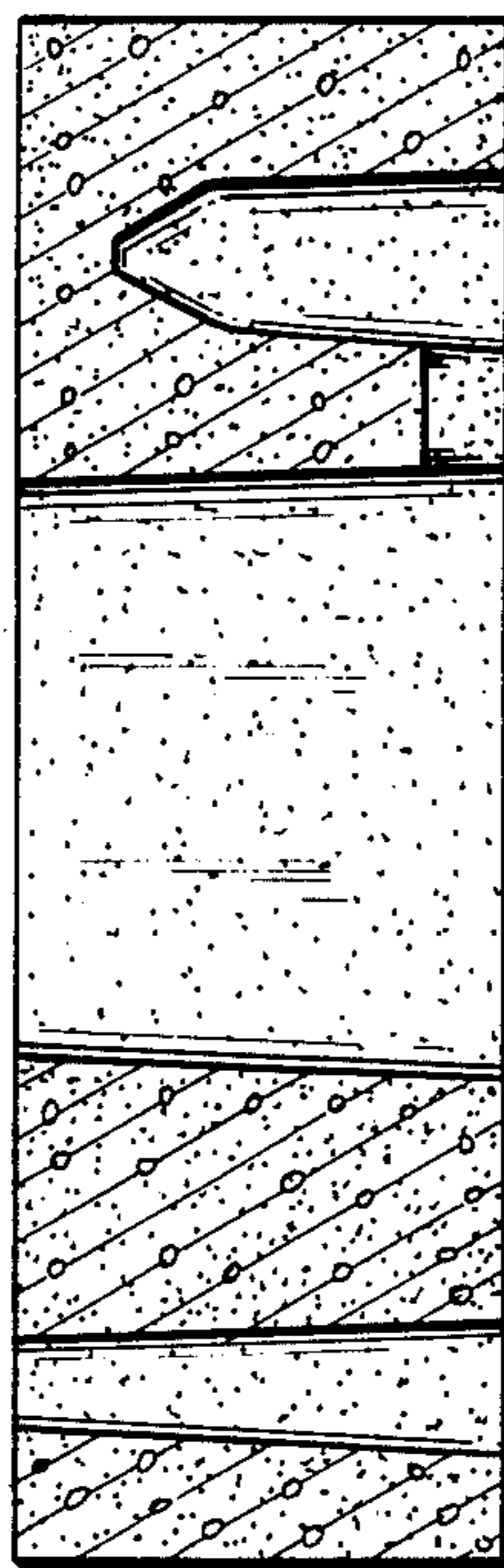


FIG. 14

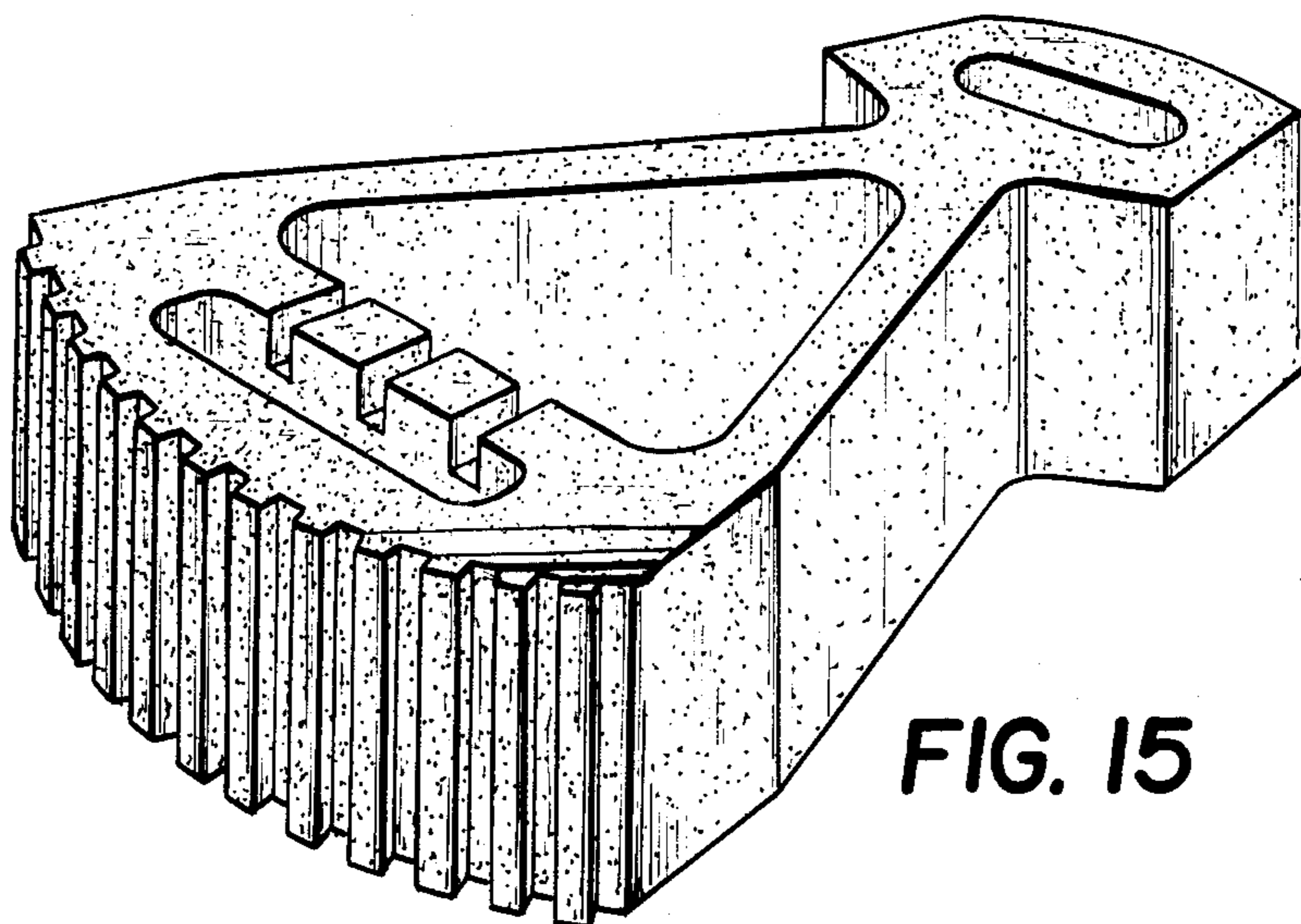


FIG. 15

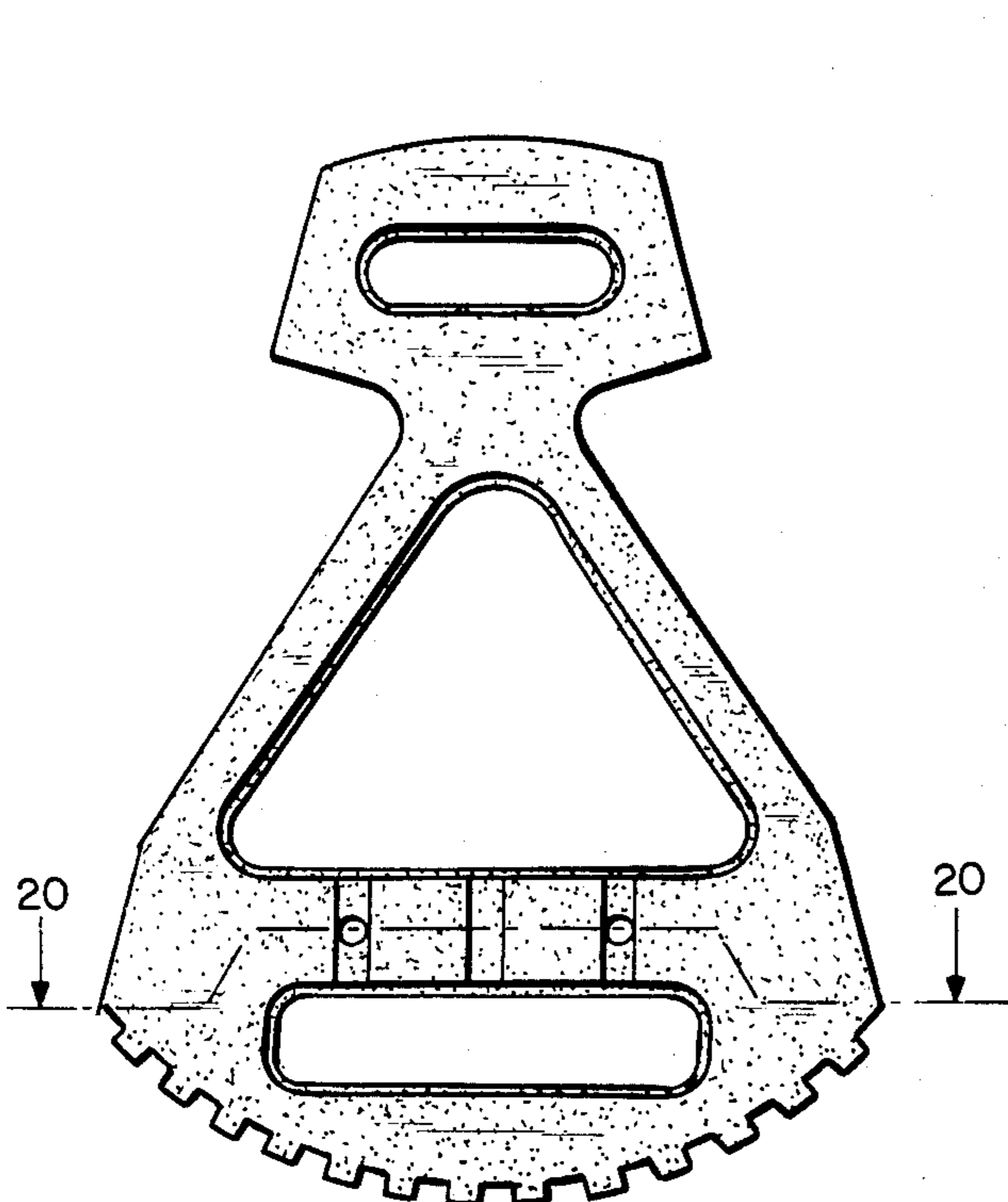


FIG. 16

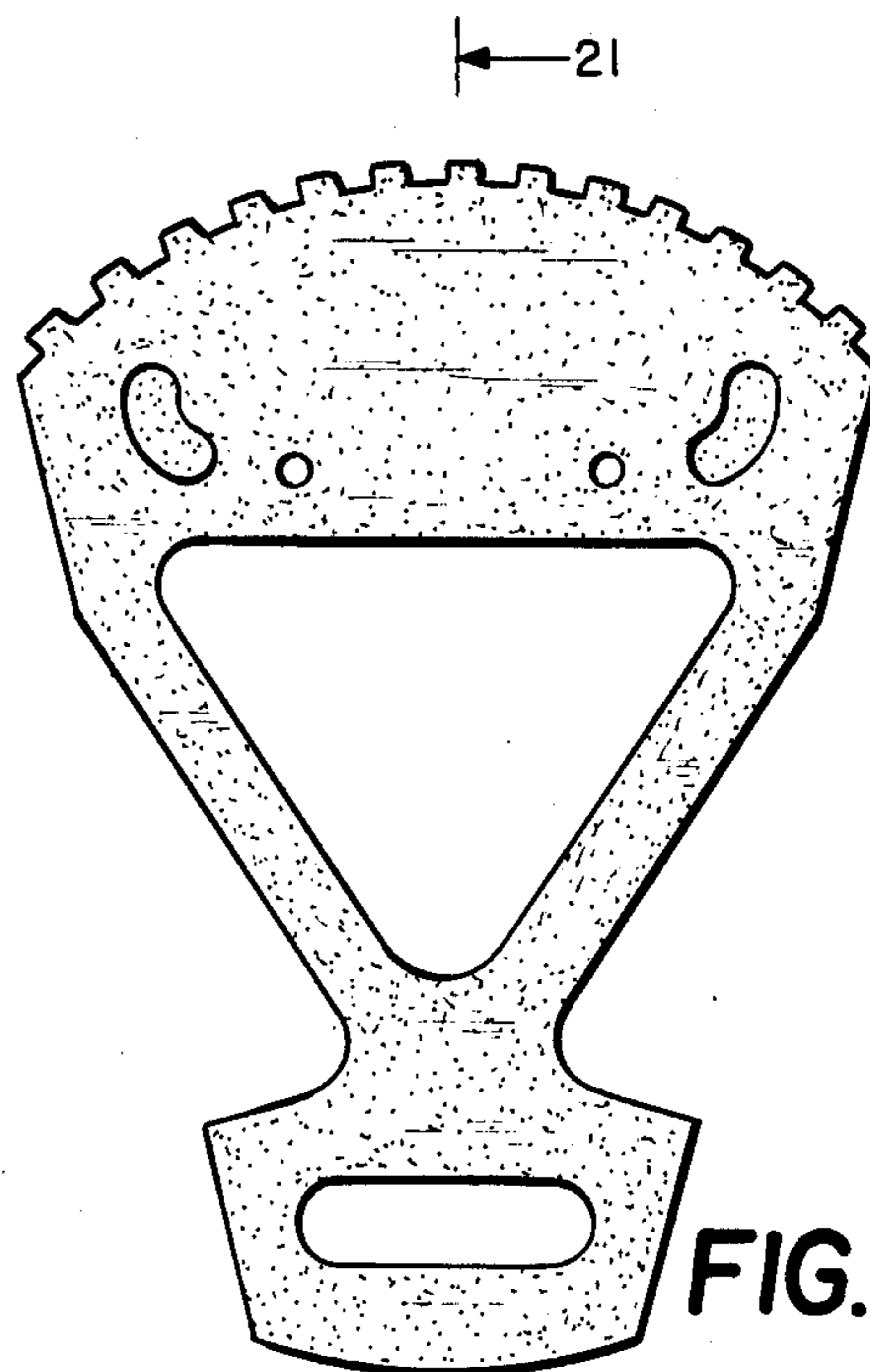


FIG. 17

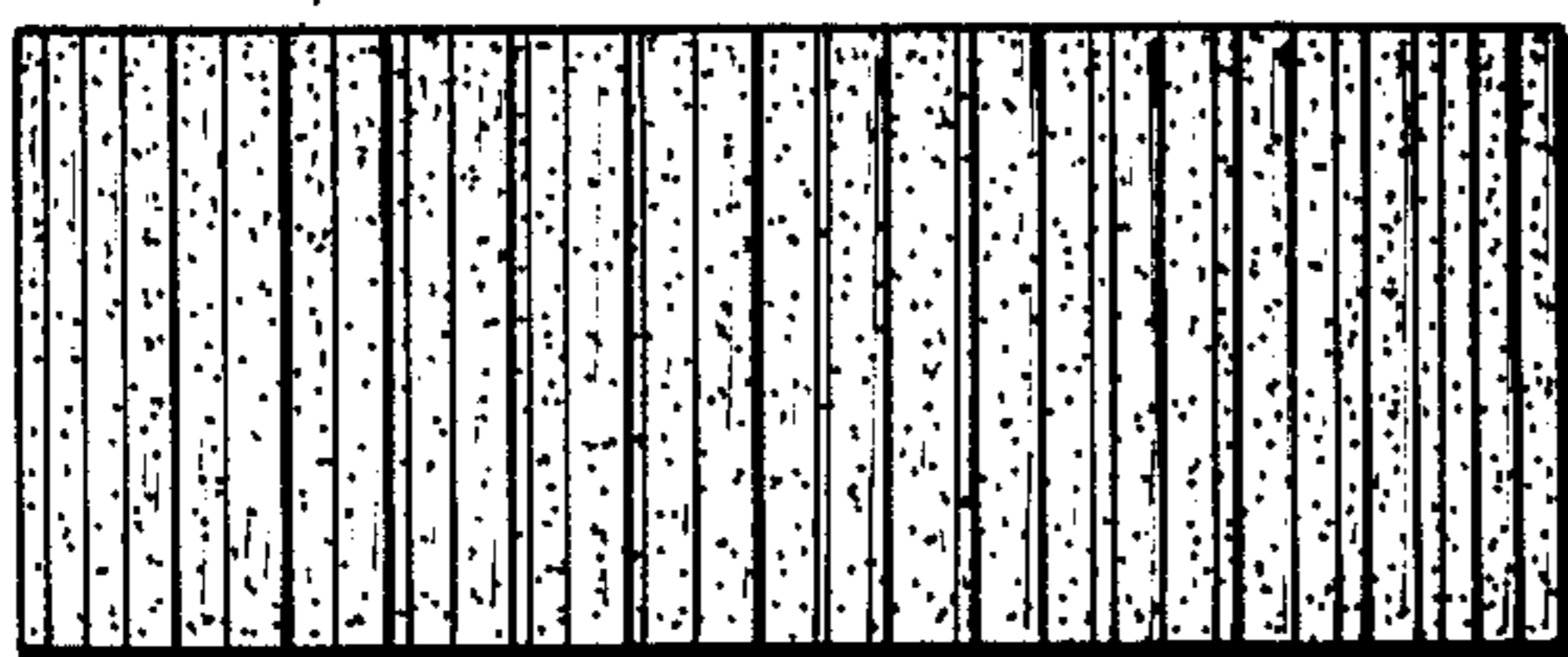


FIG. 18

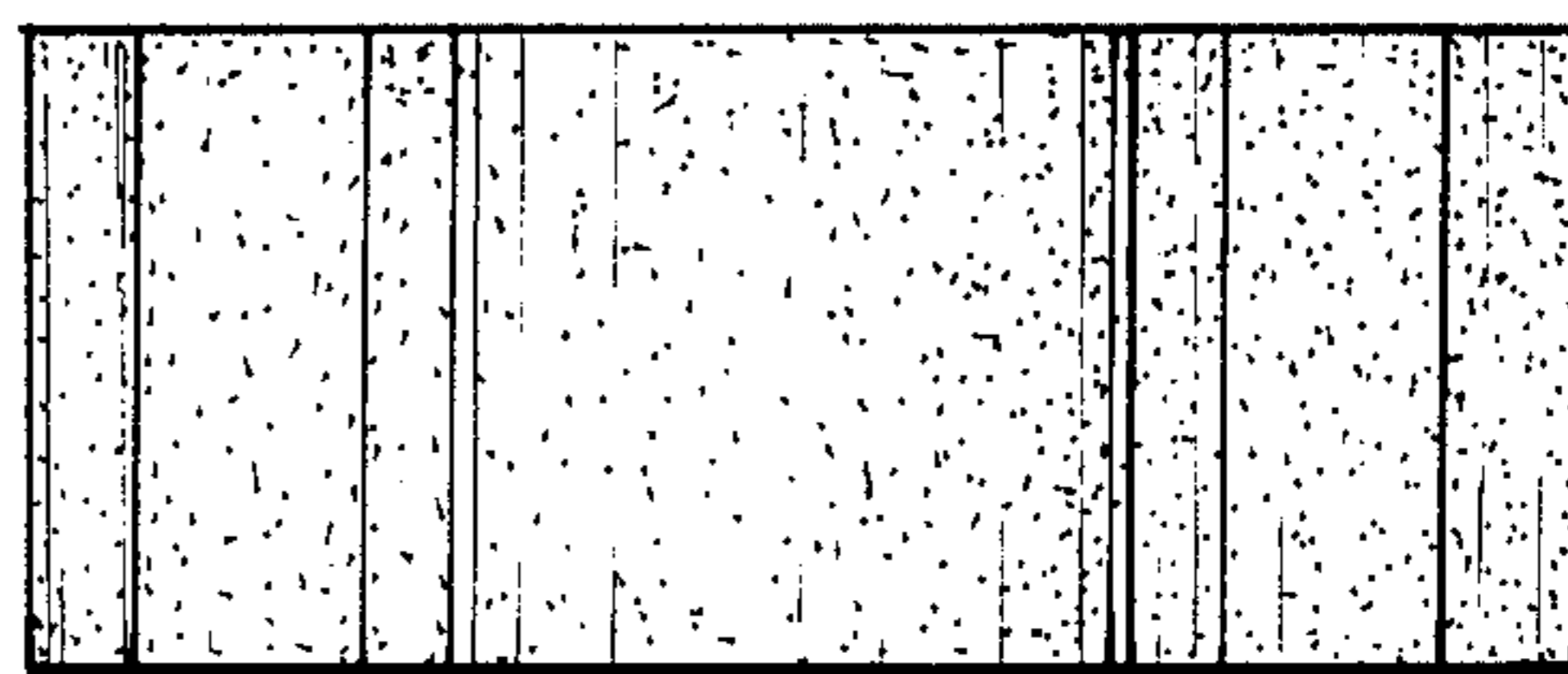


FIG. 19

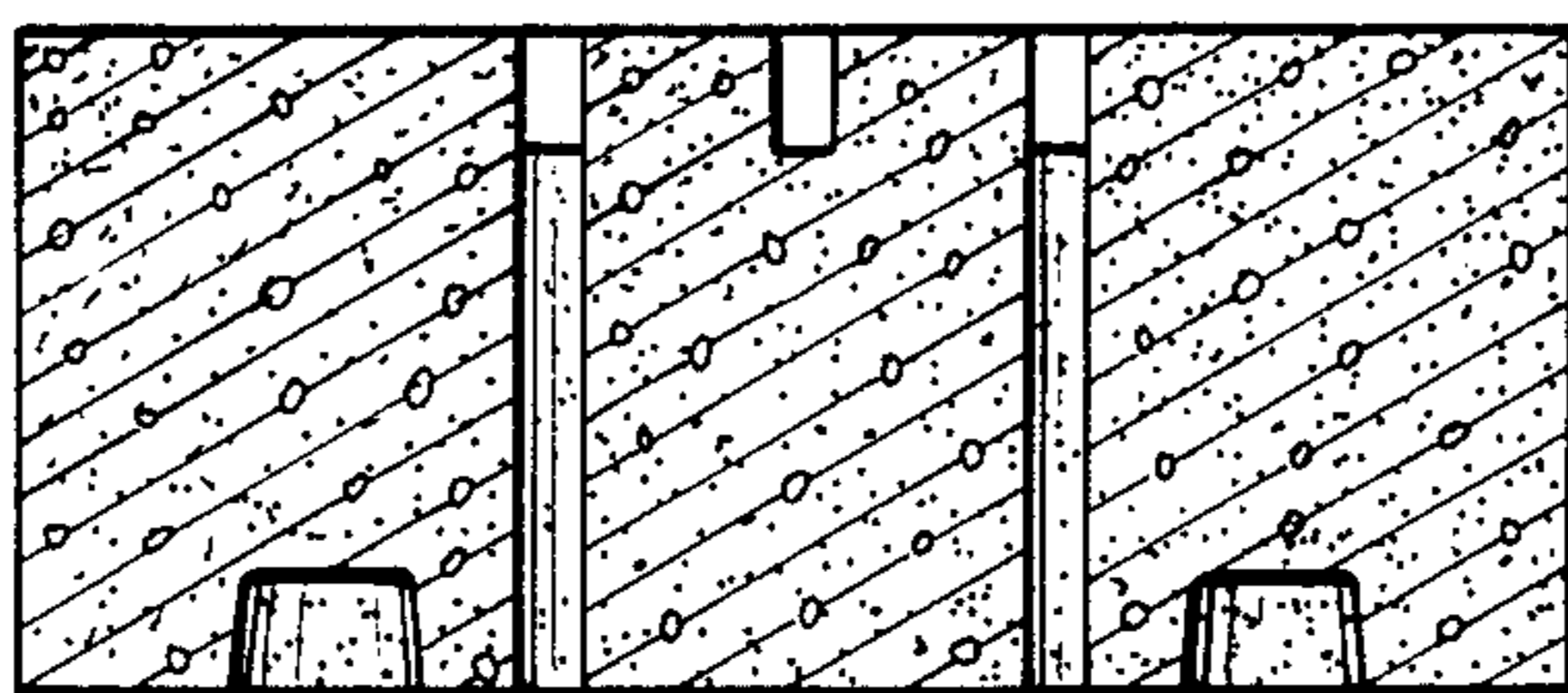


FIG. 20

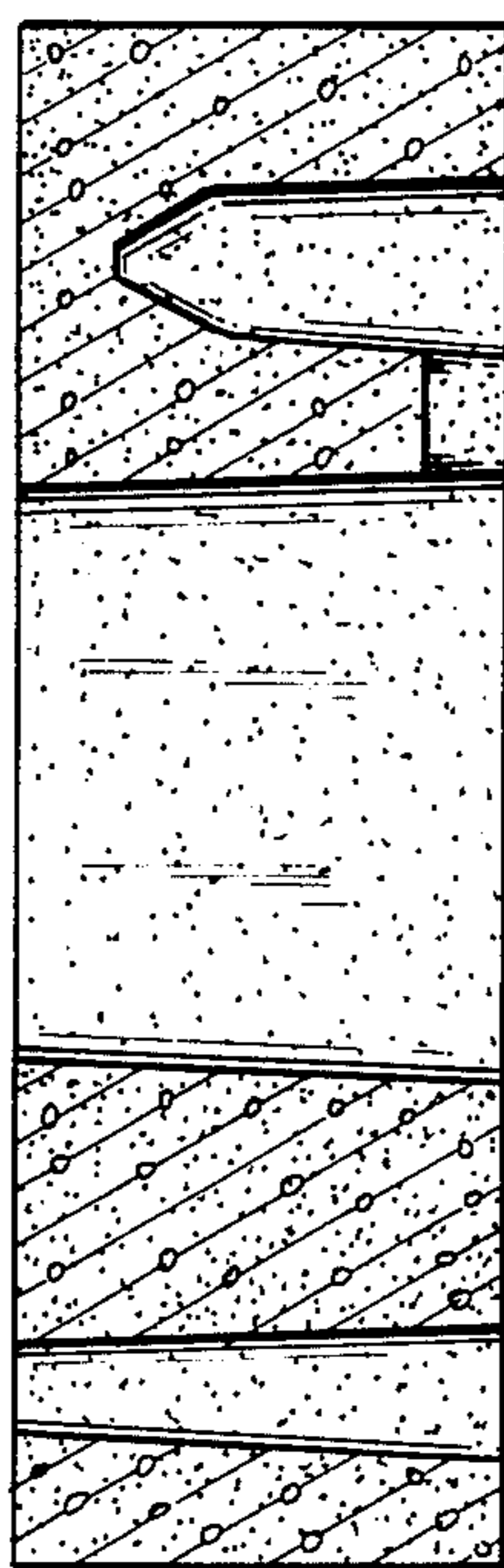


FIG. 21

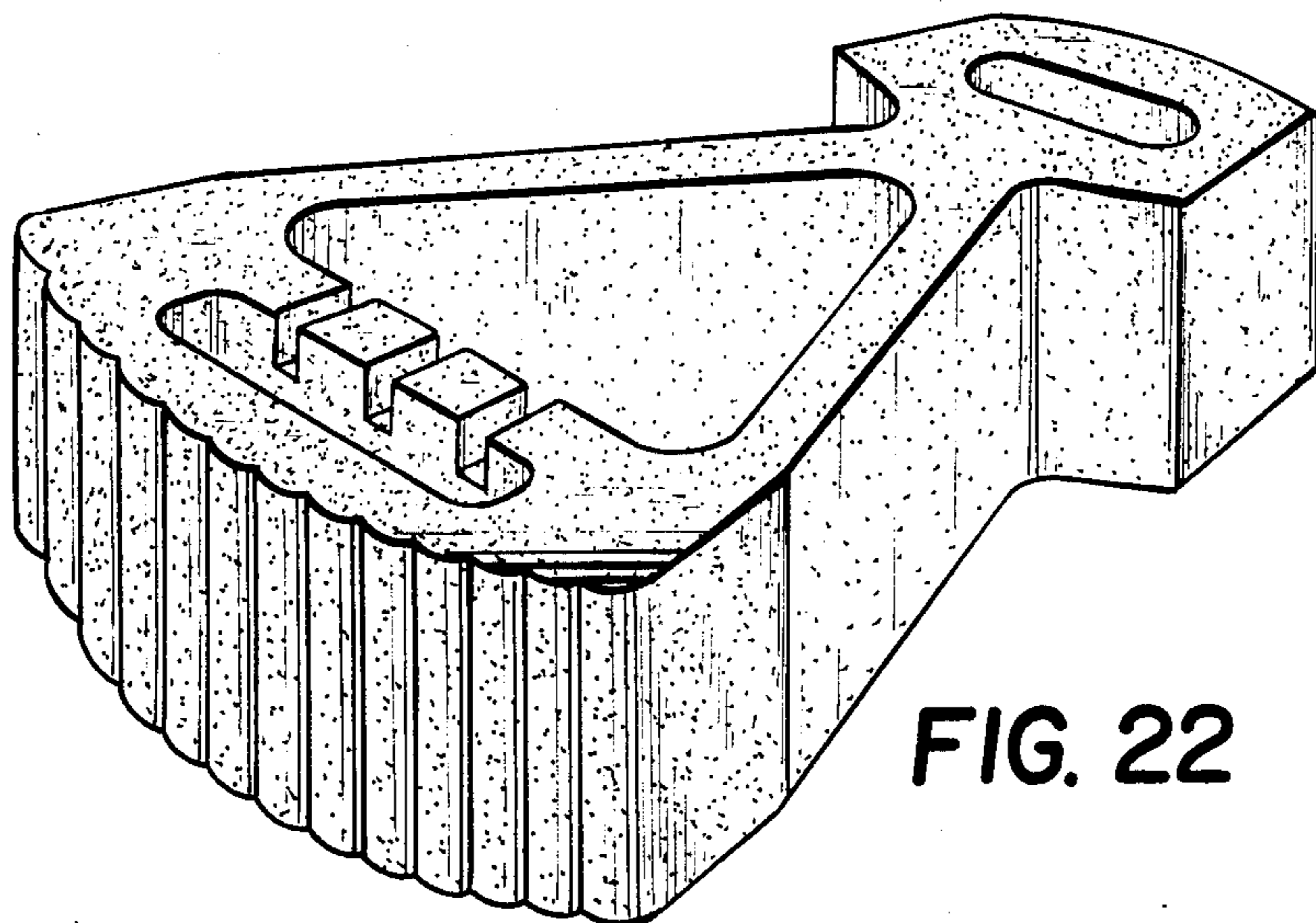


FIG. 22

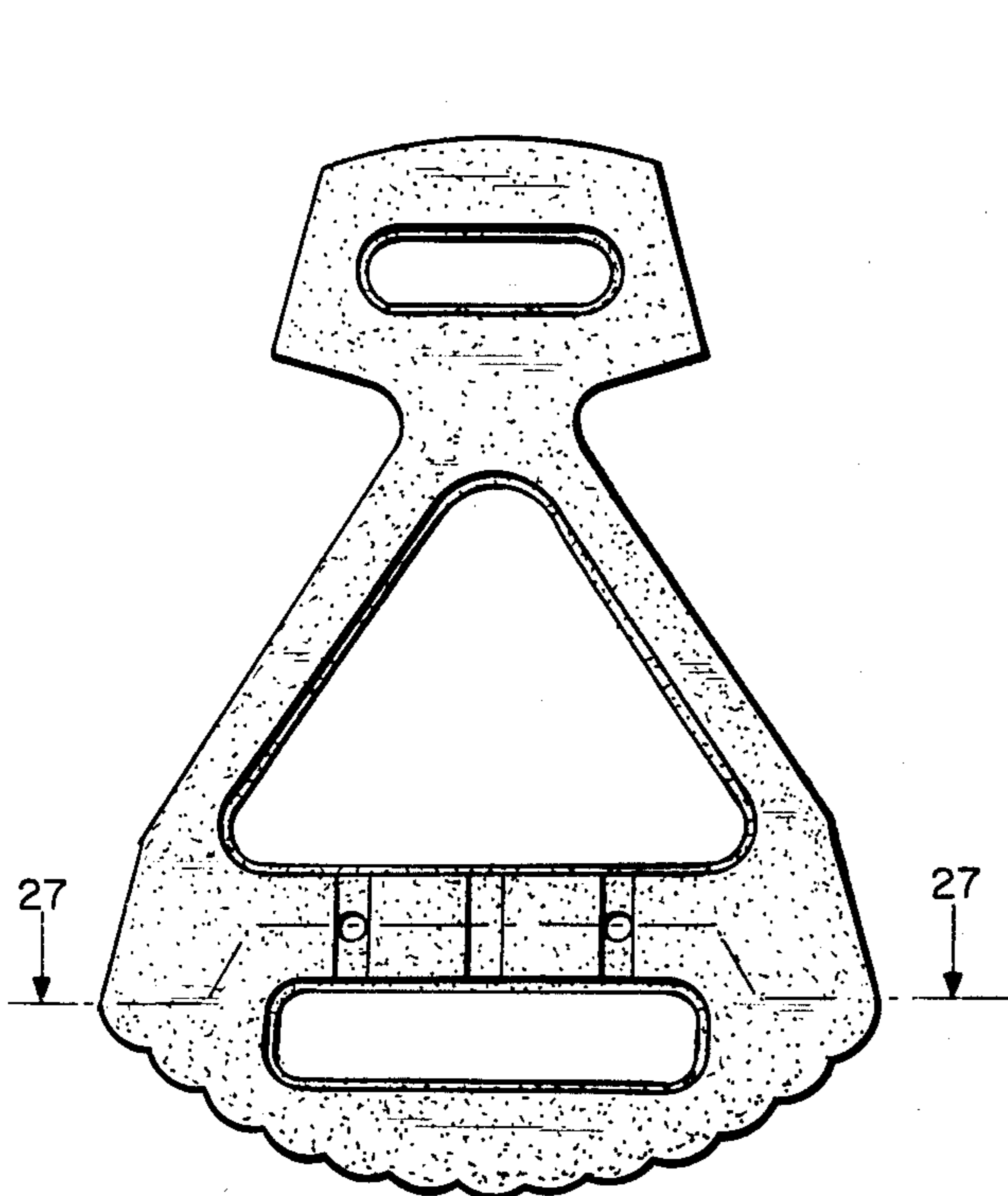


FIG. 23

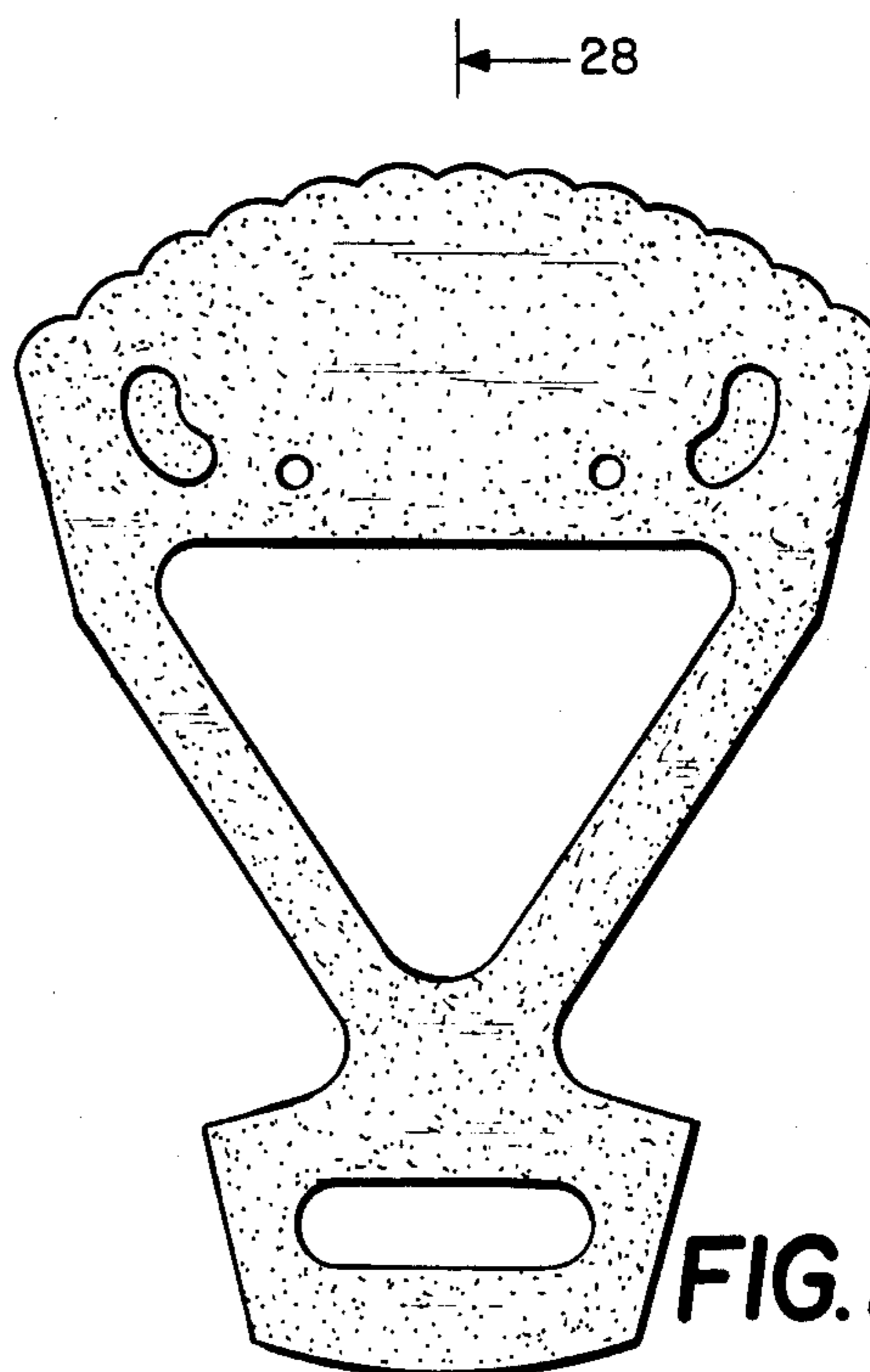


FIG. 24

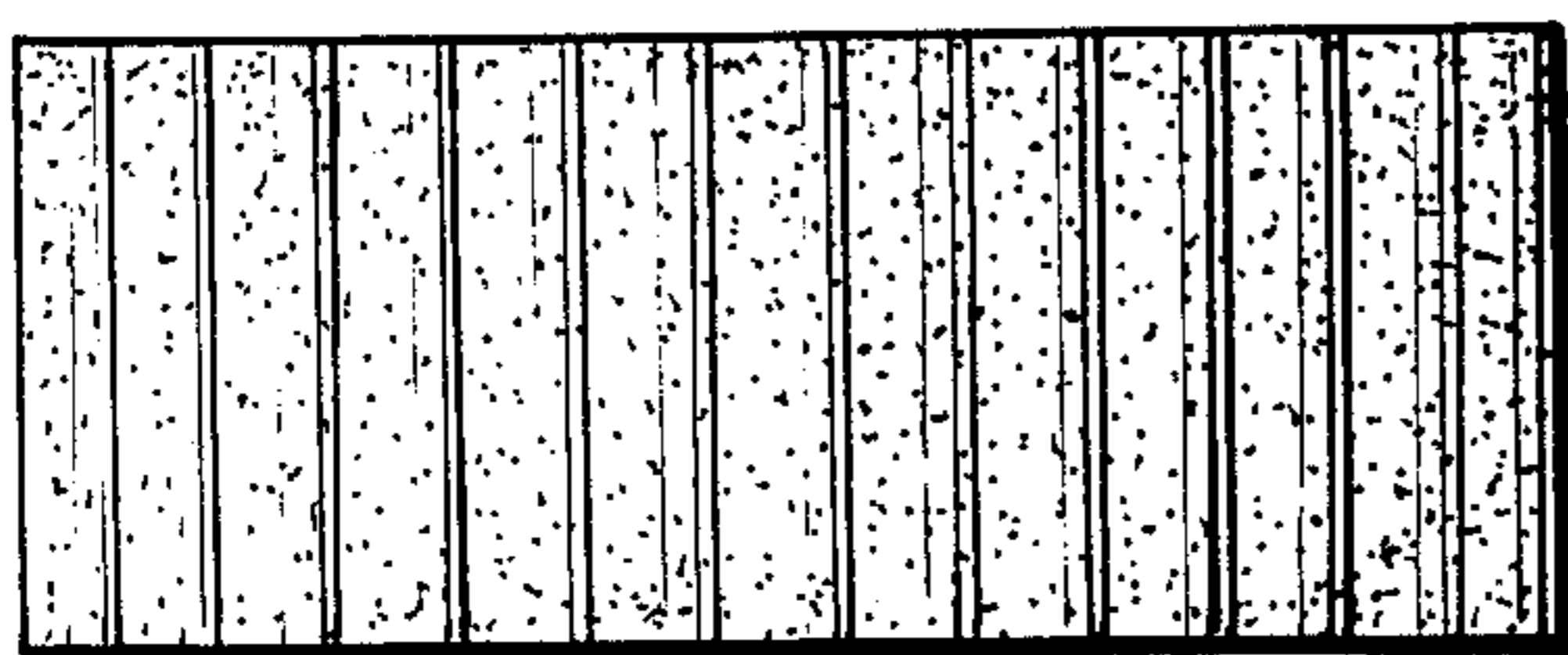


FIG. 25

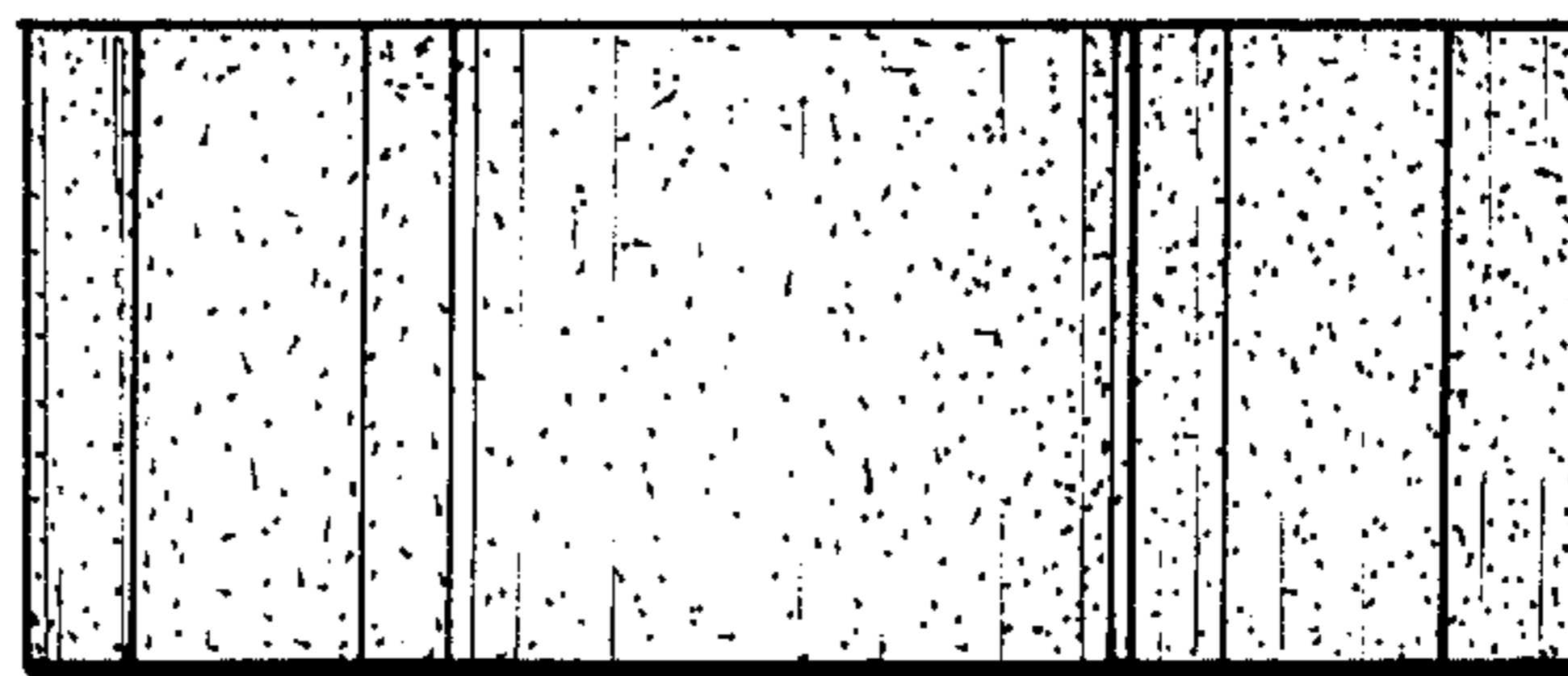


FIG. 26

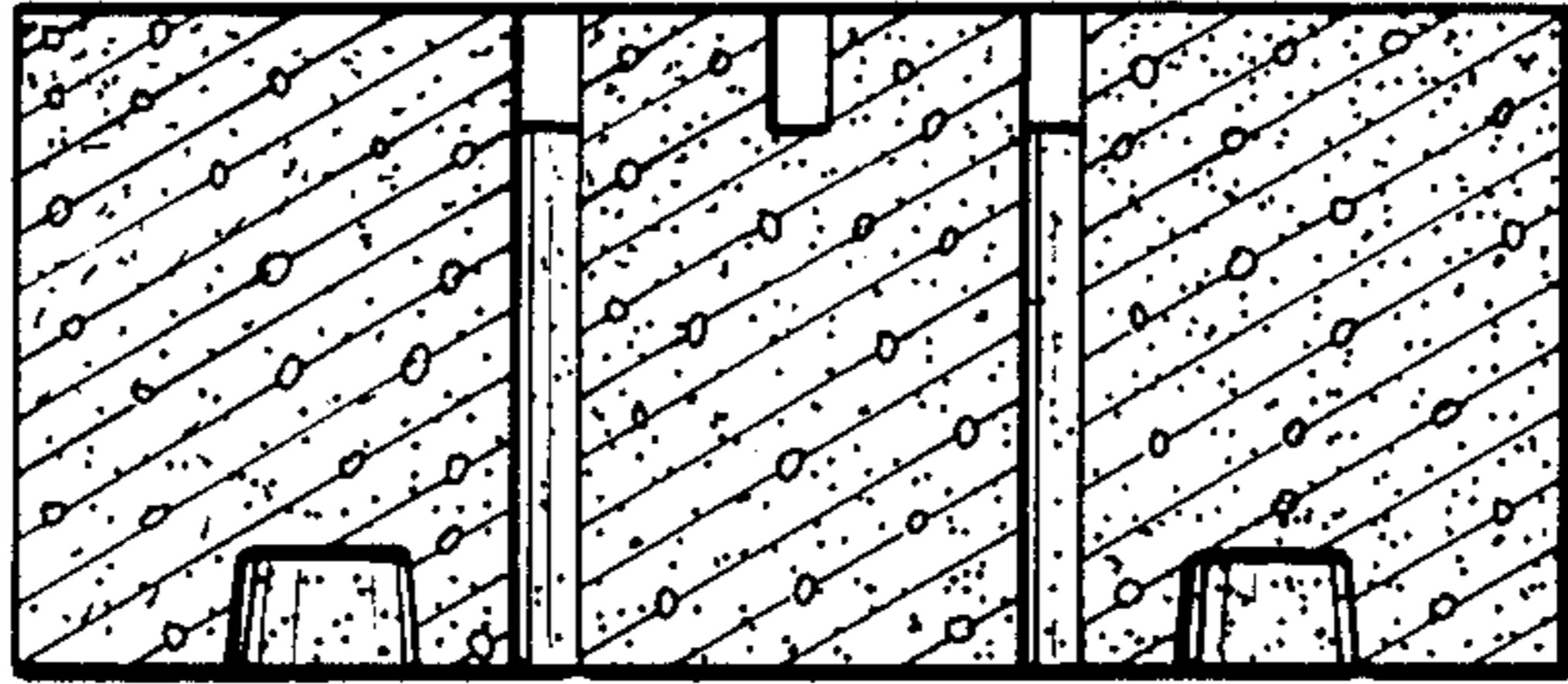


FIG. 27

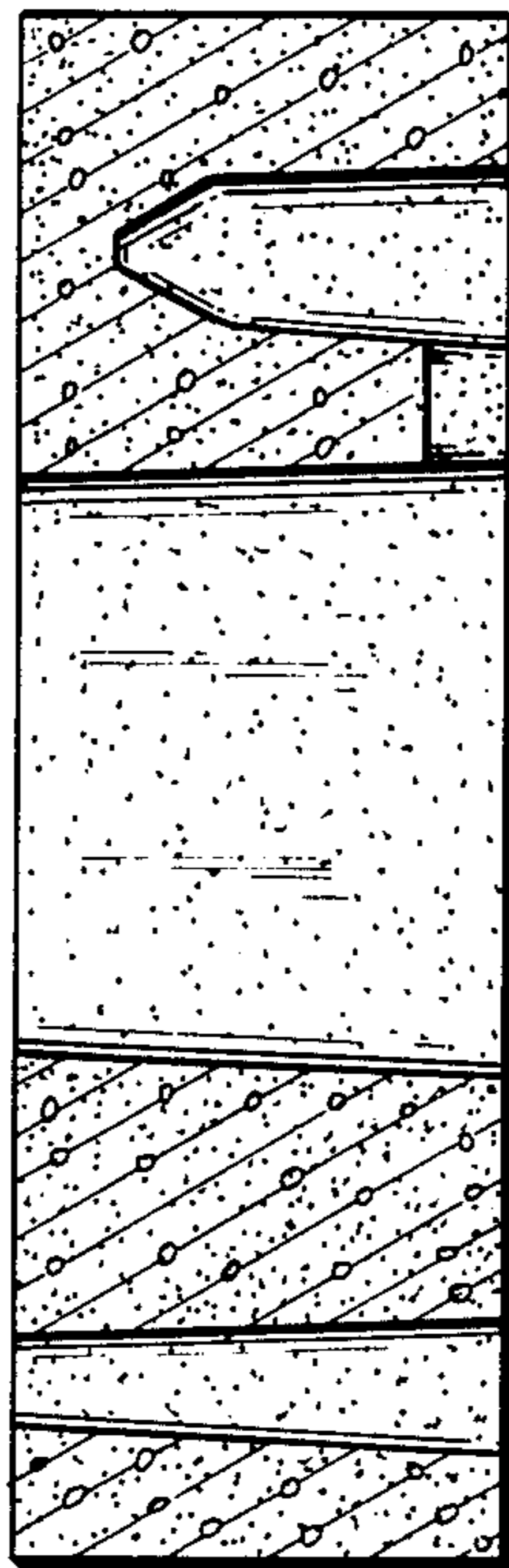


FIG. 28

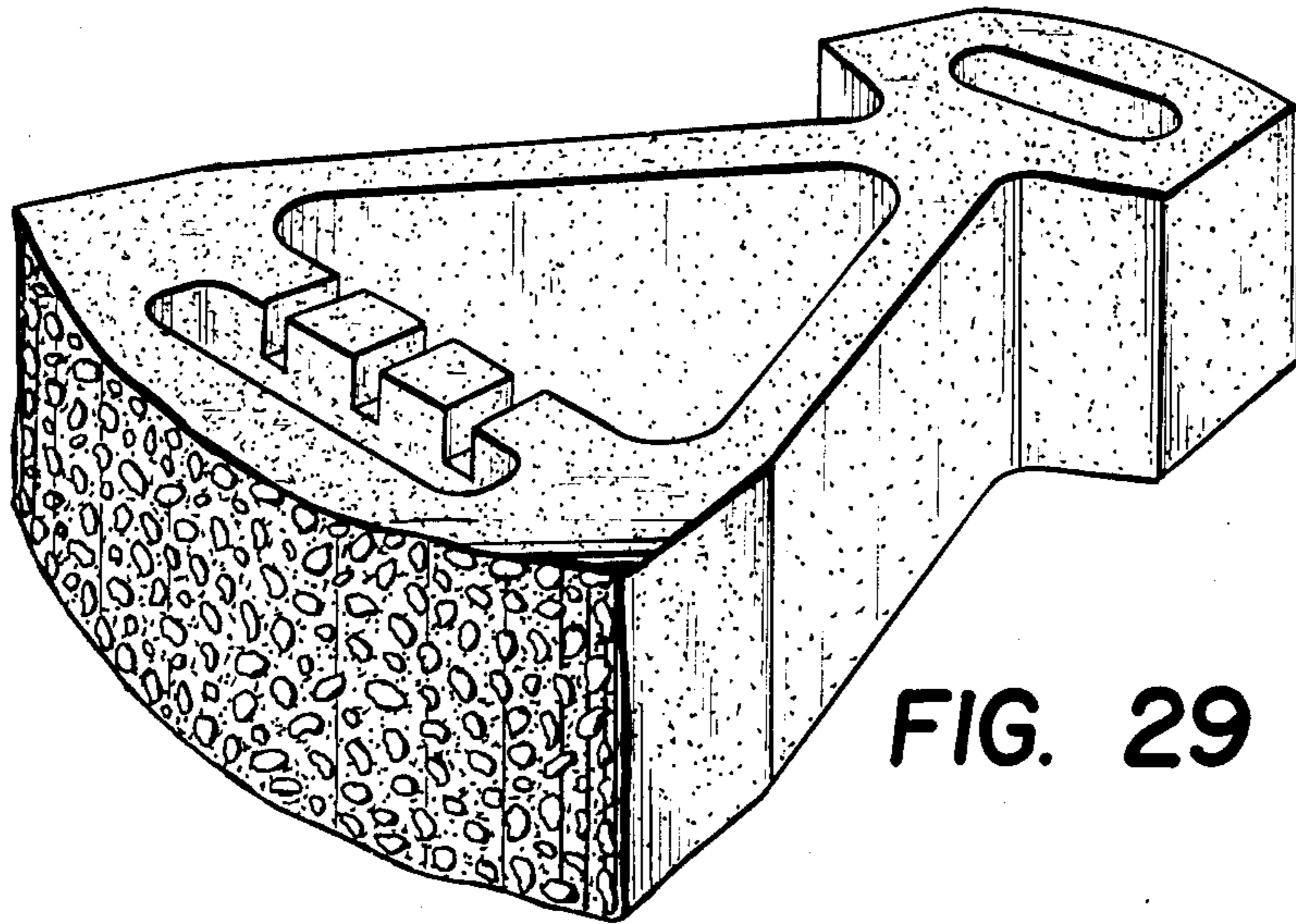


FIG. 29

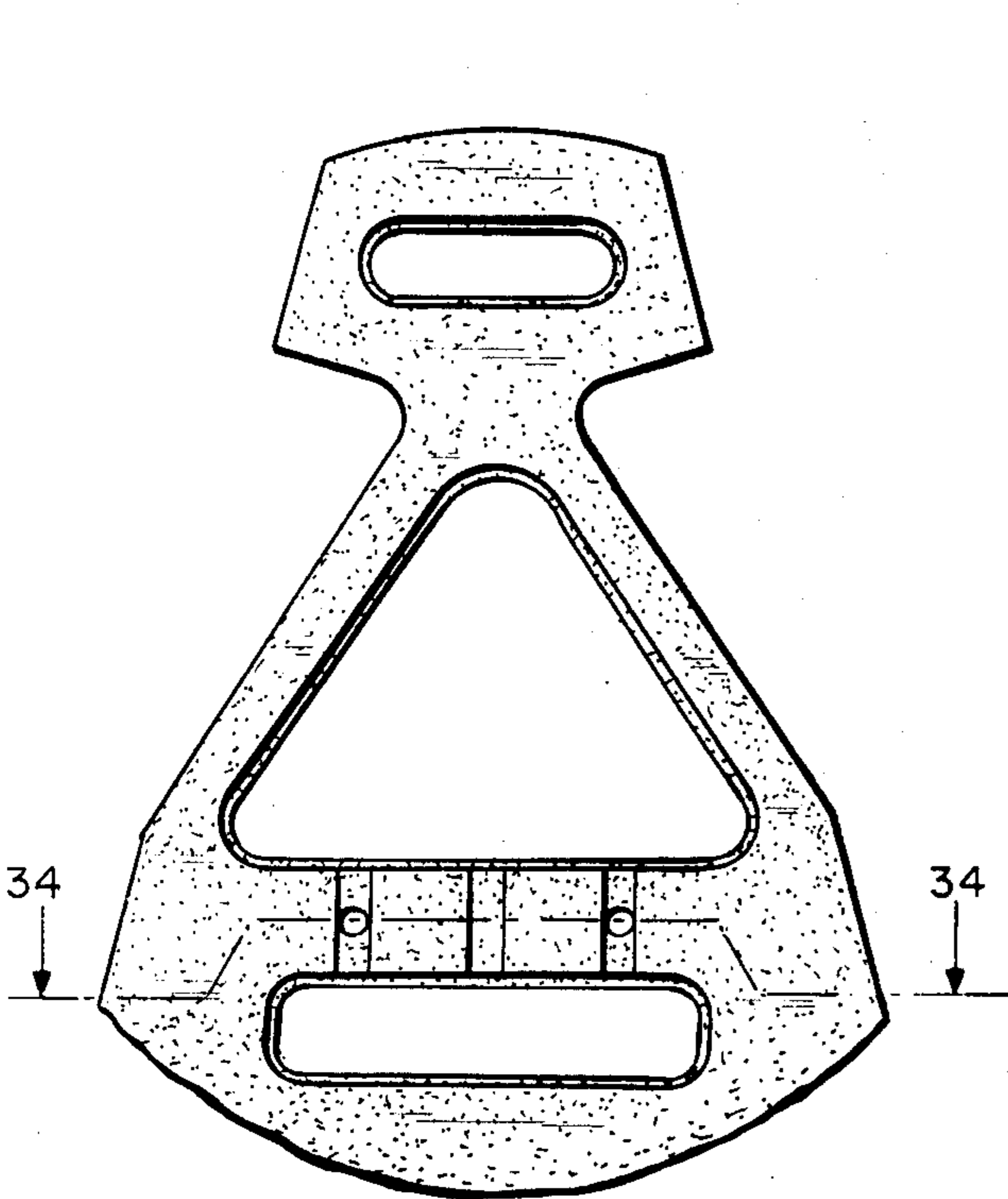


FIG. 30

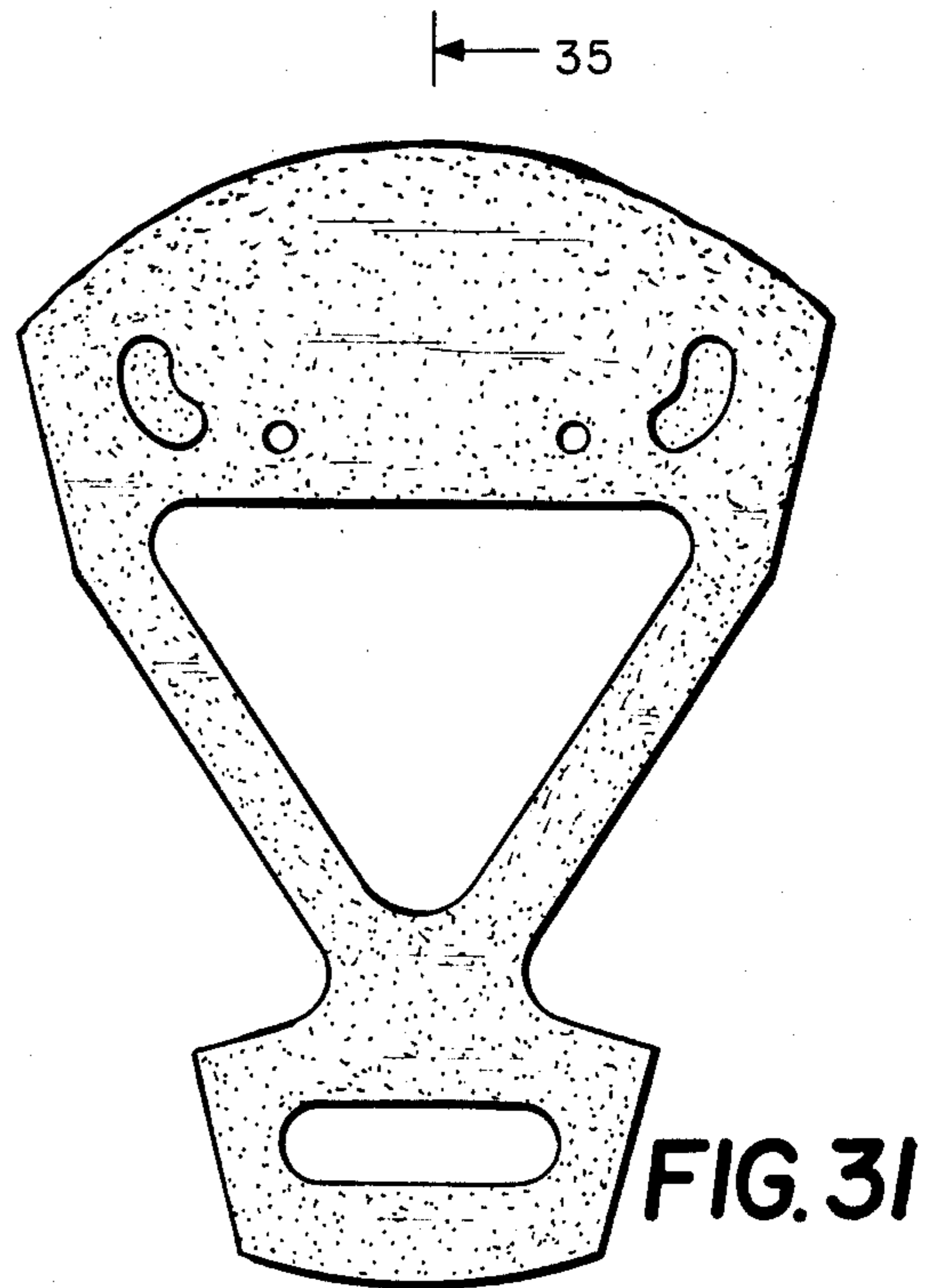


FIG. 31

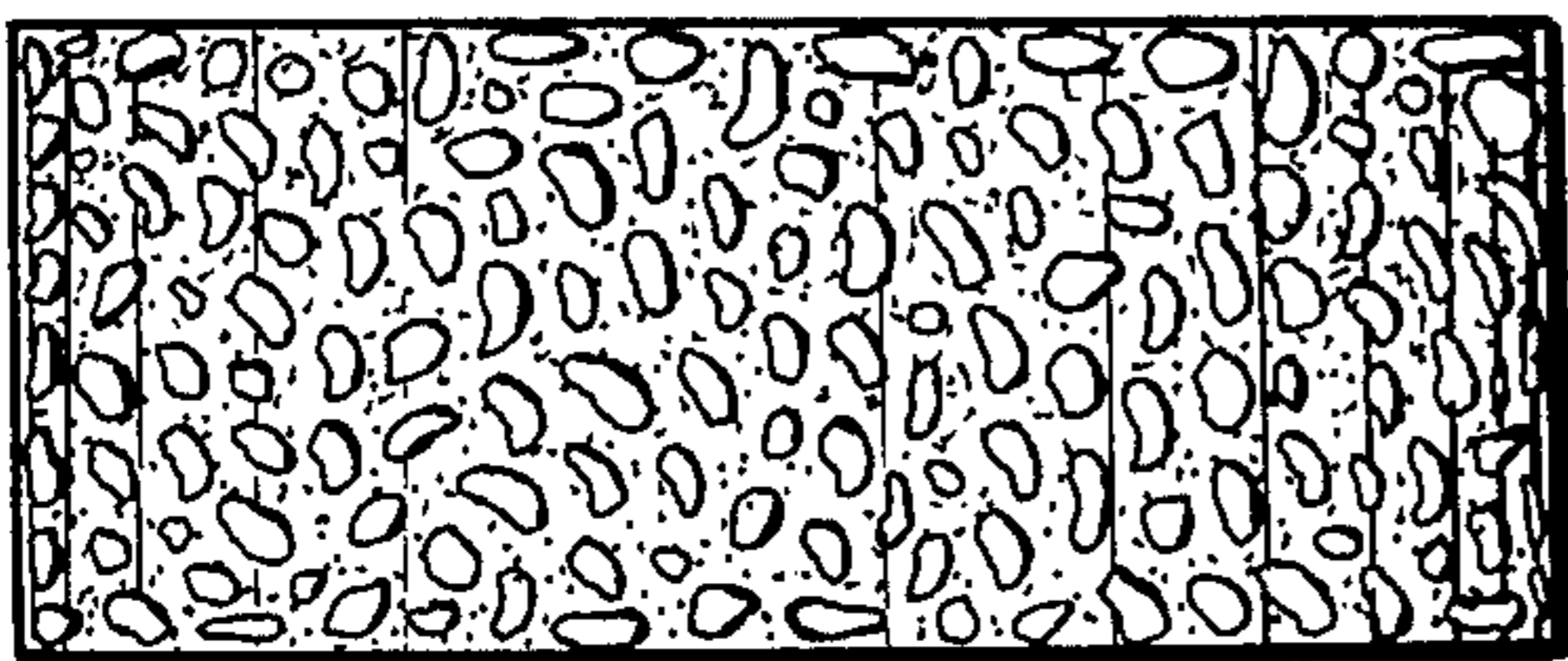


FIG. 32

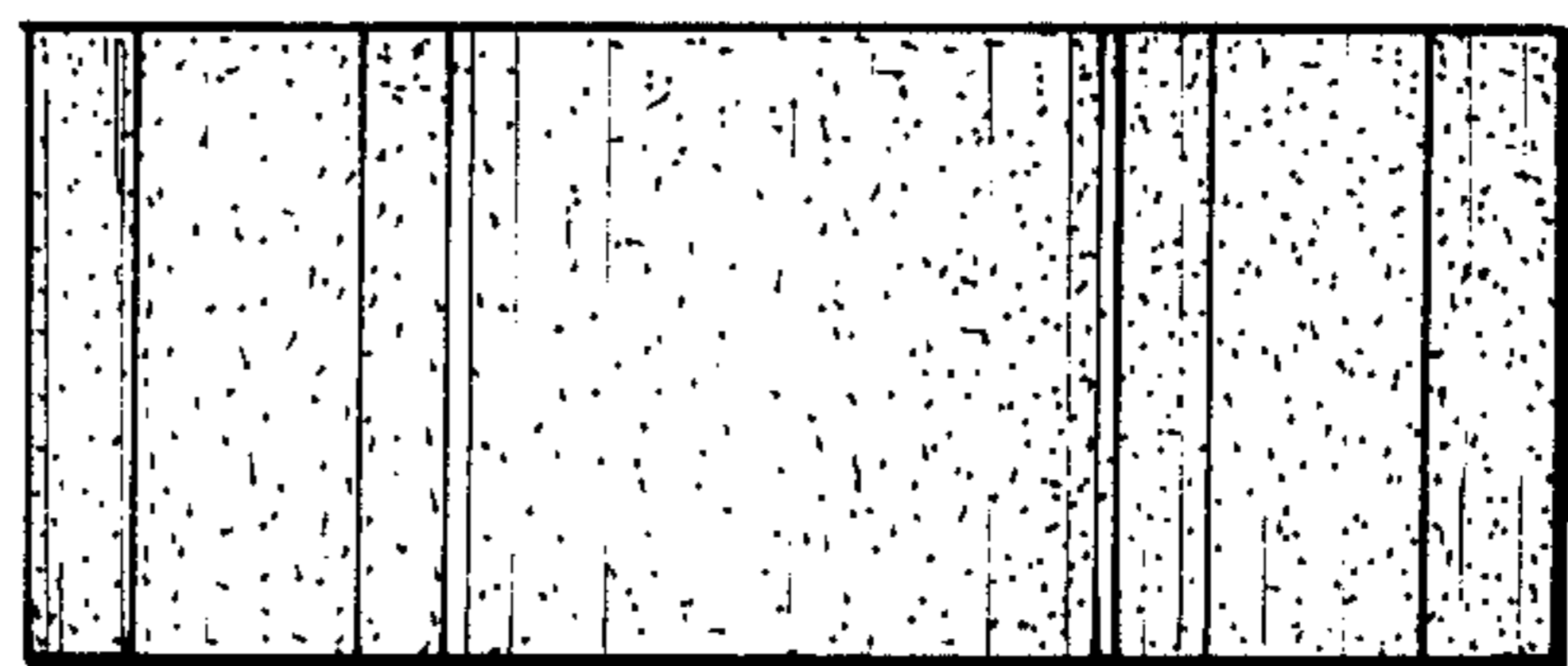


FIG. 33

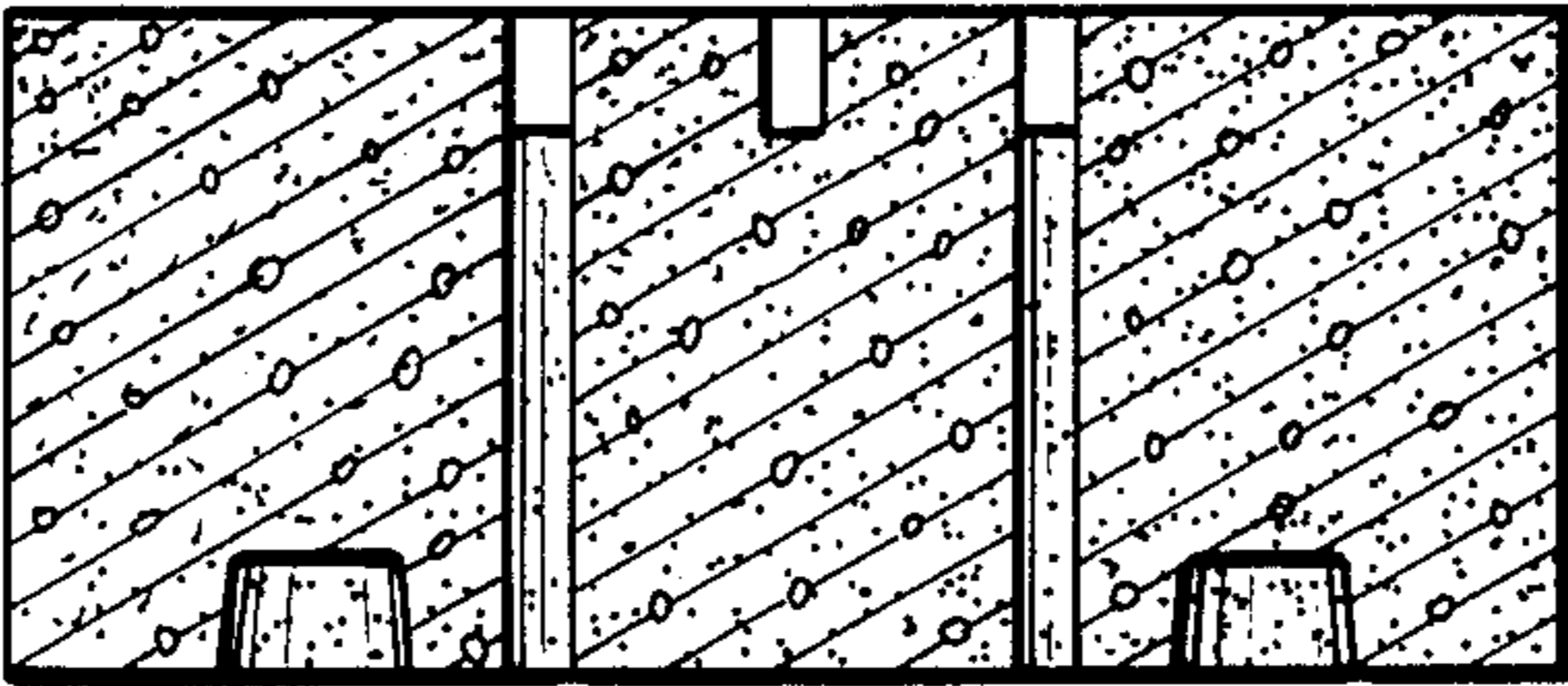


FIG. 34

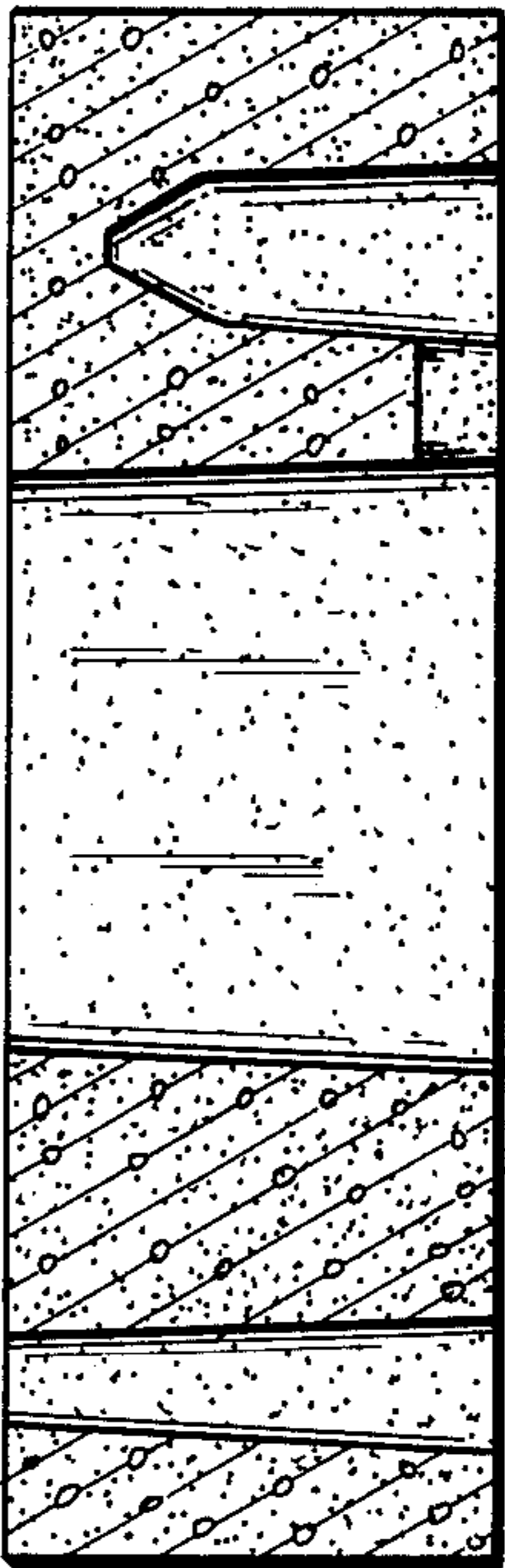


FIG. 35