

[54] **ROLLING GATE GRILLE**

[76] **Inventor: Vincent Greco, 195 Huntington Ave.,  
Bronx, N.Y. 10465**

[\*\*] **Term: 14 Years**

[21] **Appl. No.: 776,480**

[22] **Filed: Sep. 16, 1985**

[52] **U.S. Cl. .... D25/50; D25/153**

[58] **Field of Search ..... D25/50, 48, 45, 154,  
D25/153; D5/1, 2, 3; 52/160-165, 169, 170,  
174, 177, 180; 160/235, 238**

[56] **References Cited**

**U.S. PATENT DOCUMENTS**

- |            |        |         |       |           |
|------------|--------|---------|-------|-----------|
| D. 127,444 | 5/1941 | McCloud | ..... | D25/48 X  |
| 787,747    | 4/1905 | Gilmore | ..... | D5/54 X   |
| 4,516,377  | 5/1985 | Feller  | ..... | D25/154 X |

**OTHER PUBLICATIONS**

1981 Sweet's Catalog File, 8.7/Ki, p. 20, Kinneal Interlocking Slat-Grille at center left.

*Primary Examiner*—A. Hugo Word  
*Attorney, Agent, or Firm*—Goodman & Teitelbaum

[57] **CLAIM**

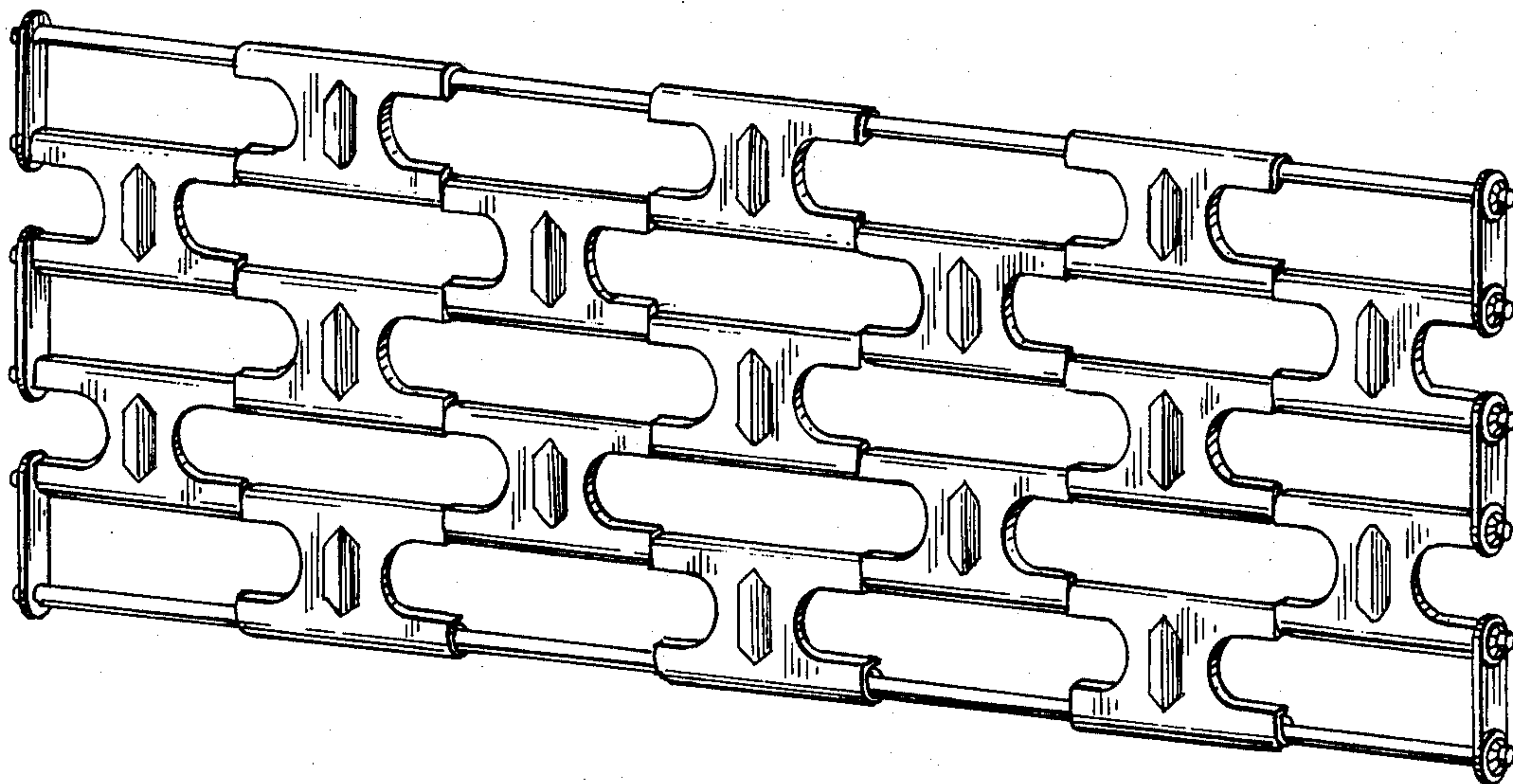
The ornamental design for a rolling gate grille, substantially as shown.

**DESCRIPTION**

FIG. 1 is a perspective view taken from the front of a rolling gate grille, showing my new design;

FIG. 2 is a perspective view taken from the rear thereof; and

FIG. 3 is an enlarged perspective view of one of the support members shown in FIG. 1.



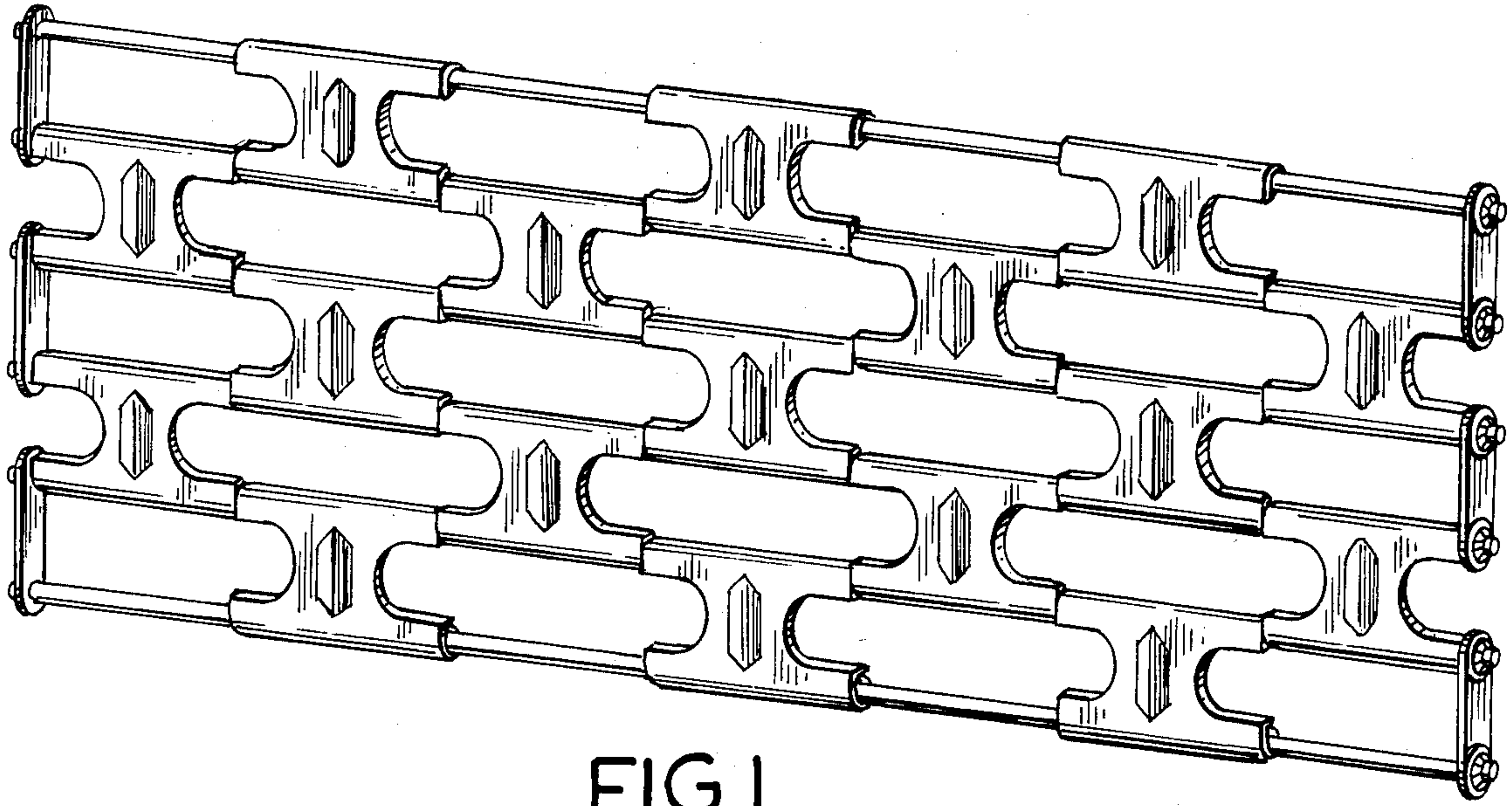


FIG. 1

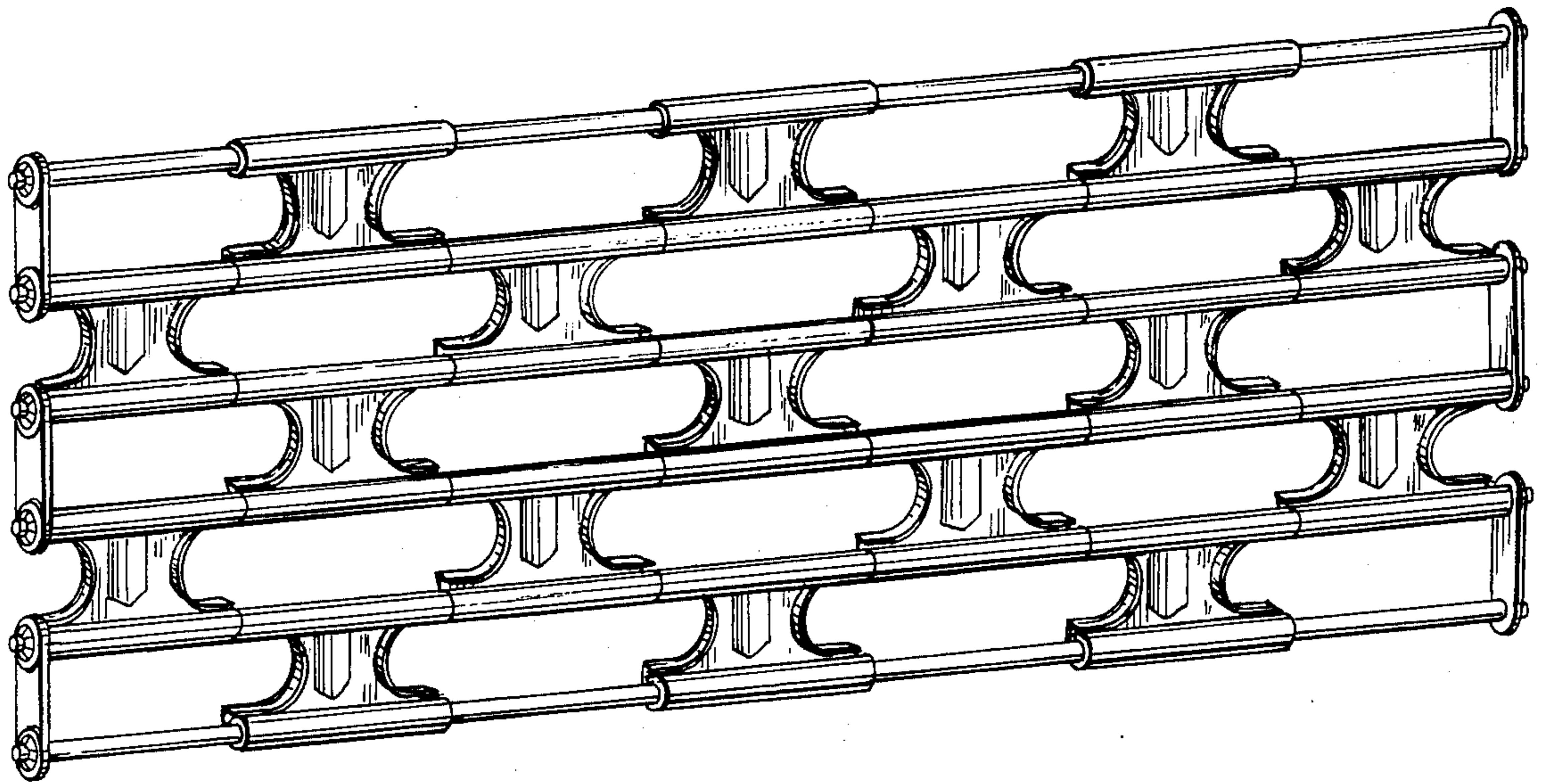


FIG. 2

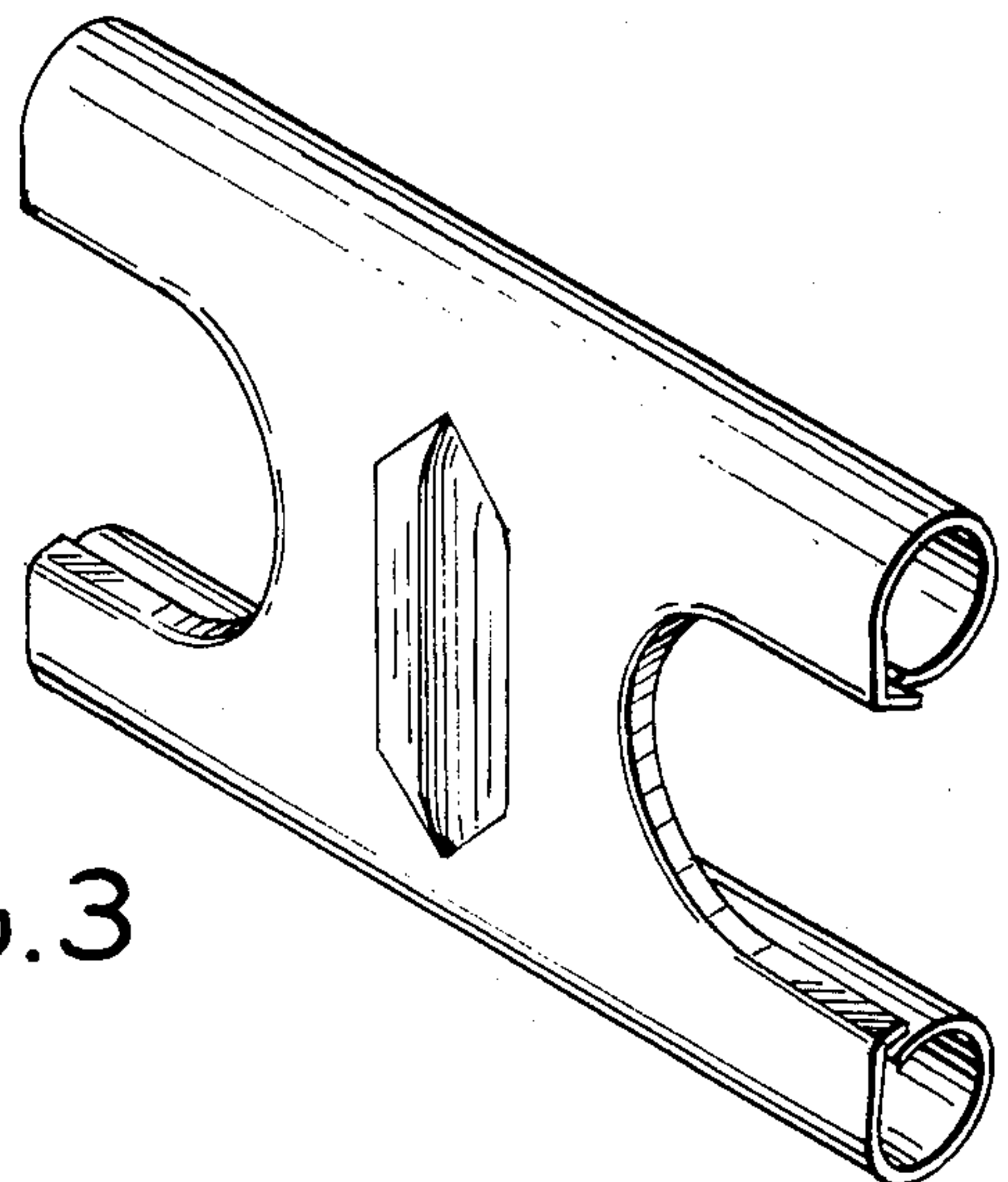


FIG. 3