

- [54] **URINAL BOTTLE**
- [75] **Inventor: Paul K. Meunchen, Cincinnati, Ohio**
- [73] **Assignee: Jung Corporation**
- [**] **Term: 14 Years**
- [21] **Appl. No.: 834,437**
- [22] **Filed: Feb. 19, 1986**
- [52] **U.S. Cl. D24/54; D9/374**
- [58] **Field of Search D24/54, 56, 51, 57;**
 4/144.1-144.4, 450, 454, 457, 462; 128/760,
 761, 767; 604/317, 329, 346, 347, 349-353;
 D9/374, 373

[56] **References Cited**
U.S. PATENT DOCUMENTS

Re. 28,278	12/1974	Borse .	
145,344	12/1873	Garnsey .	
190,244	5/1877	Olmstead .	
211,741	1/1879	Johnson .	
D. 245,267	8/1977	Gruber .	
D. 248,168	6/1978	Kelly	D24/54
D. 286,569	11/1986	Nakao et al.	D24/54
293,275	2/1884	Pullman .	
587,803	8/1897	Ewer .	
622,631	4/1899	Orbeton .	
698,419	4/1902	Taylor .	
703,131	6/1902	Jaenel .	
706,566	8/1902	Janes .	
805,312	11/1905	Meinecke .	
901,134	10/1908	Weidl .	
977,903	12/1910	Ross .	
978,940	12/1910	Saks .	
1,386,696	8/1921	Fishback .	
1,440,765	1/1923	Buckley .	
1,458,640	6/1923	Chase .	
1,767,240	6/1930	Ivory et al. .	
2,084,788	6/1937	Anderson .	
2,264,528	12/1941	Herbst .	
2,292,055	8/1942	Collins et al. .	
2,358,850	9/1944	Chenault .	
2,382,276	8/1945	Wells .	
2,490,969	11/1947	Kinyon .	
2,522,273	9/1950	Johnson .	
2,542,276	2/1951	Felts .	
2,582,398	1/1952	Siegenthal .	
2,594,339	4/1952	Nugent .	
2,673,990	4/1954	Edwards .	

2,687,534	8/1954	Johnson .	
2,731,648	1/1956	Clement .	
2,745,111	5/1956	Podmorski .	
2,815,511	12/1957	Friedman et al. .	
3,005,992	10/1961	Sullivan .	
3,030,636	4/1962	Evans .	
3,099,840	8/1963	Johnson .	
3,163,869	1/1965	Johnson et al. .	
3,170,170	2/1965	Deslauriers .	
3,295,145	1/1967	Ericson .	
3,306,515	2/1967	Beaumont .	
3,335,714	8/1967	Giesy .	
3,403,410	10/1968	Benzel et al. .	
3,422,463	1/1969	Lowry .	
3,432,864	3/1969	Schwartz .	
3,432,865	3/1969	Schwartz .	
3,432,866	3/1969	Schwartz .	
3,471,870	10/1969	Segal .	
3,473,172	10/1969	Friedman et al. .	
3,479,671	11/1969	Beich .	
3,533,109	10/1970	Kishimoto .	
3,556,102	1/1971	Davis .	
3,568,218	3/1971	Beckman .	
3,579,653	5/1971	Kuhn .	
3,716,871	2/1973	Borse .	
3,725,962	4/1973	Gouget .	
3,727,244	4/1973	Collins .	
3,746,240	7/1973	Flynn .	
3,832,738	9/1974	Kliemann .	

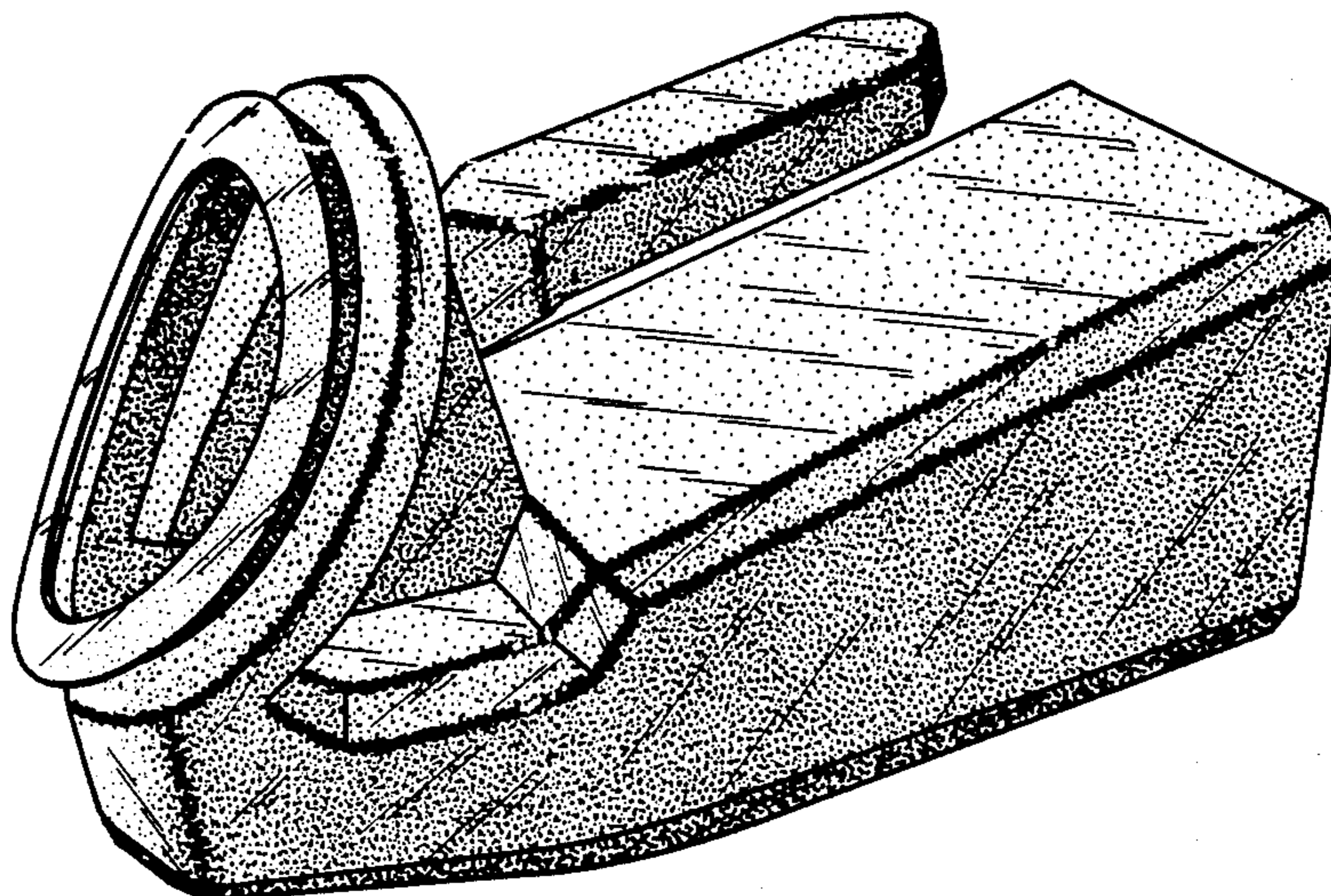
(List continued on next page.)

[57] **CLAIM**

The ornamental design for a urinal bottle, as shown.

DESCRIPTION

FIG. 1 is a top perspective view of a urinal bottle showing my new design;
 FIG. 2 is a side elevational view of the urinal bottle, the opposite side being a mirror image;
 FIG. 3 is a top plan view of the urinal bottle;
 FIG. 4 is a bottom plan view of the urinal bottle;
 FIG. 5 is an end view of the mouth end of the urinal bottle; and
 FIG. 6 is an end view of the base end of the urinal bottle.



U.S. PATENT DOCUMENTS

3,927,426	12/1975	Geddes .	4,164,795	8/1979	Johnson .
3,929,412	12/1975	Villari .	4,187,562	2/1980	Mioduski .
3,963,020	6/1976	Hall .	4,270,231	6/1981	Zint .
4,023,216	5/1977	Li .	4,304,013	12/1985	Heimreid .
4,045,828	9/1977	Burnham .	4,309,779	1/1982	Knight .
4,050,103	9/1977	Nakao .	4,359,786	11/1982	Rosberg et al. .
4,059,124	11/1977	Hill .	4,422,188	12/1983	Strutton et al. .
4,091,476	5/1978	DeBurg .	4,496,355	1/1985	Hall .
4,117,845	10/1978	Brown .			
4,121,306	10/1978	Bringman .			

Primary Examiner—Wallace R. Burke
Assistant Examiner—Stella M. Reid
Attorney, Agent, or Firm—Wood, Herron & Evans

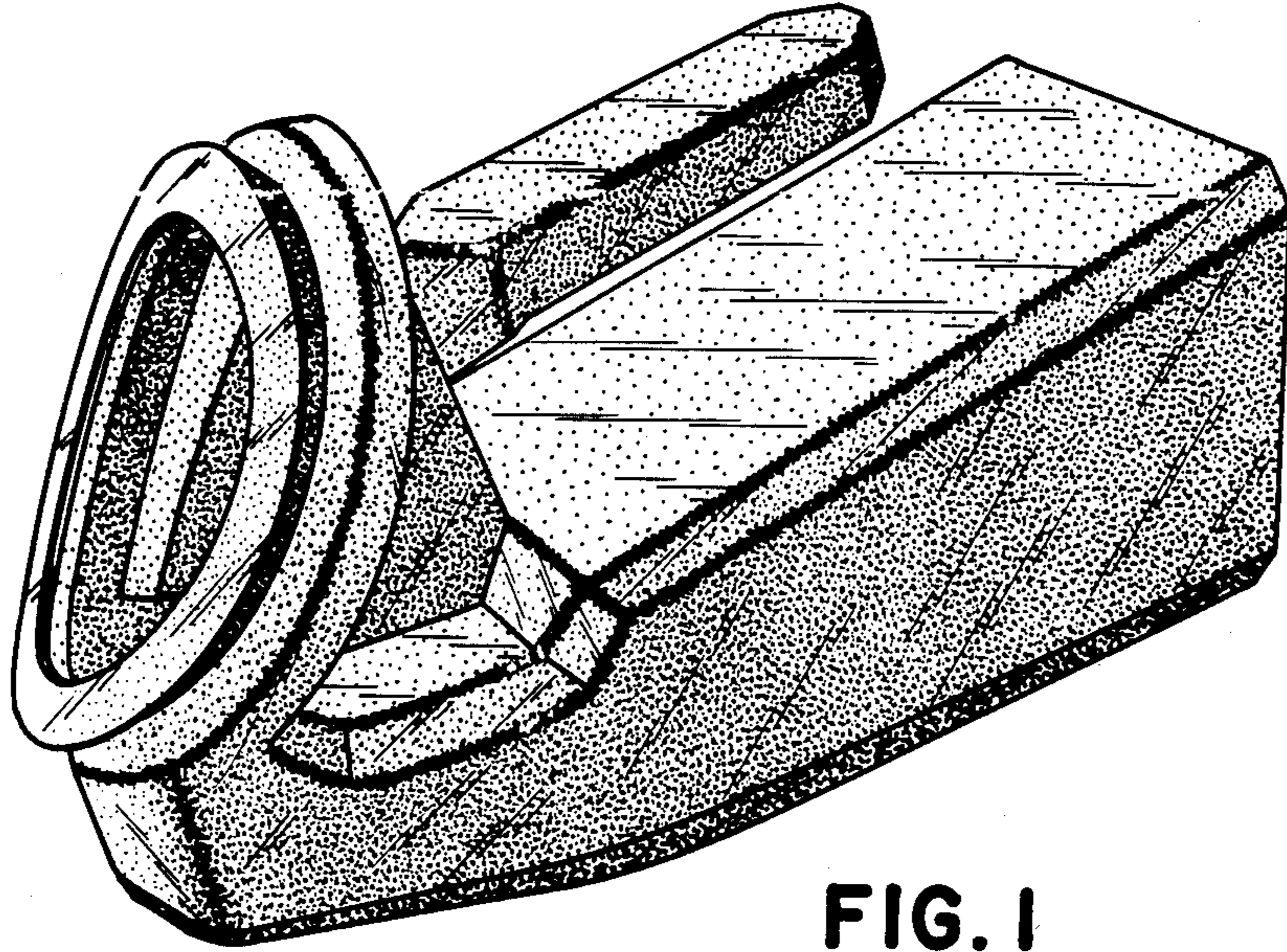


FIG. 1

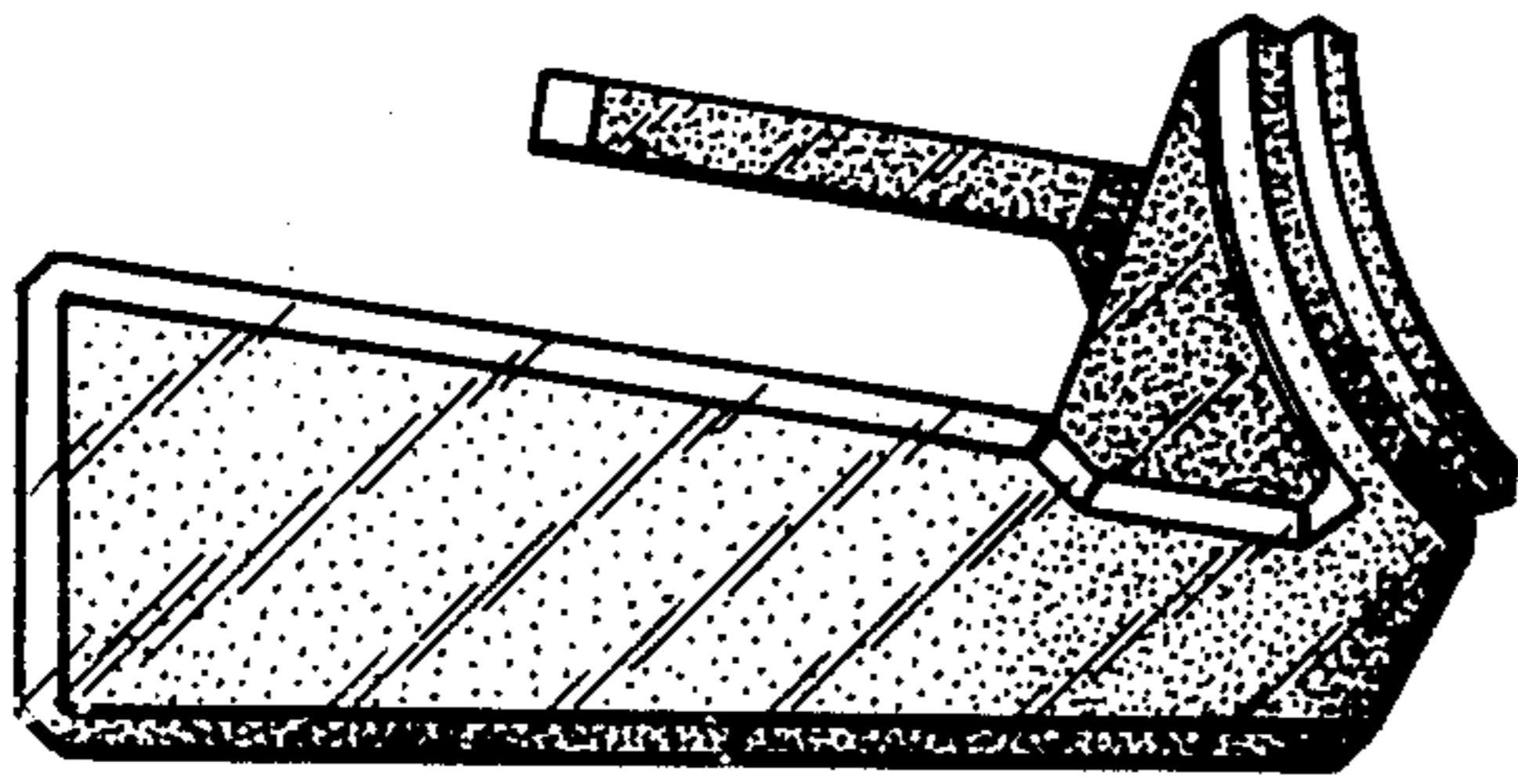


FIG. 2

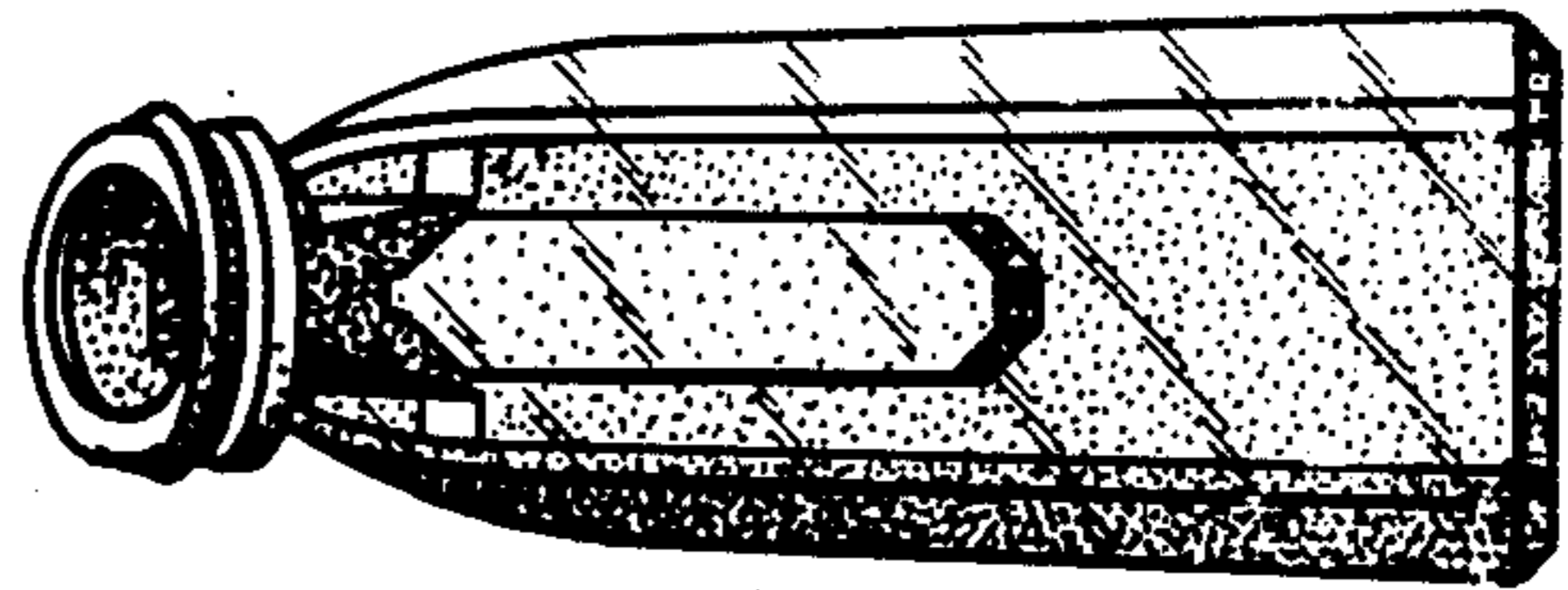


FIG. 3

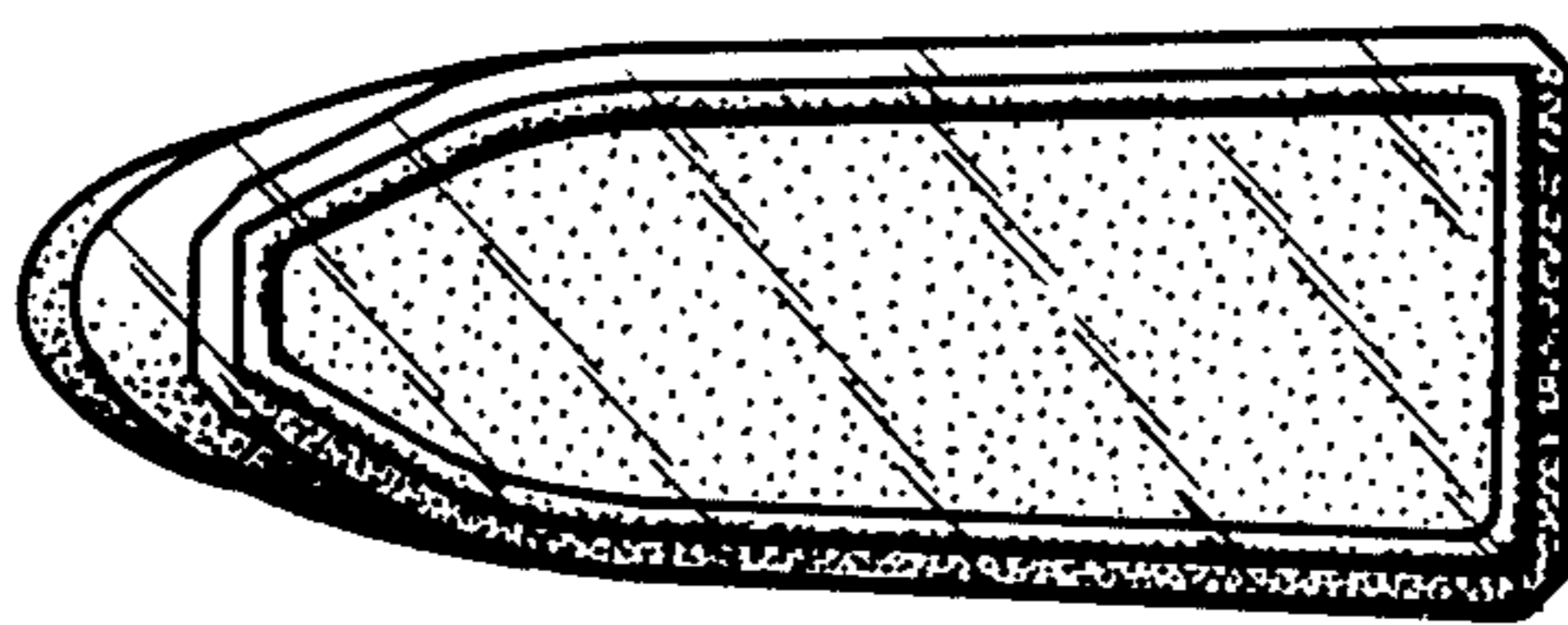


FIG. 4

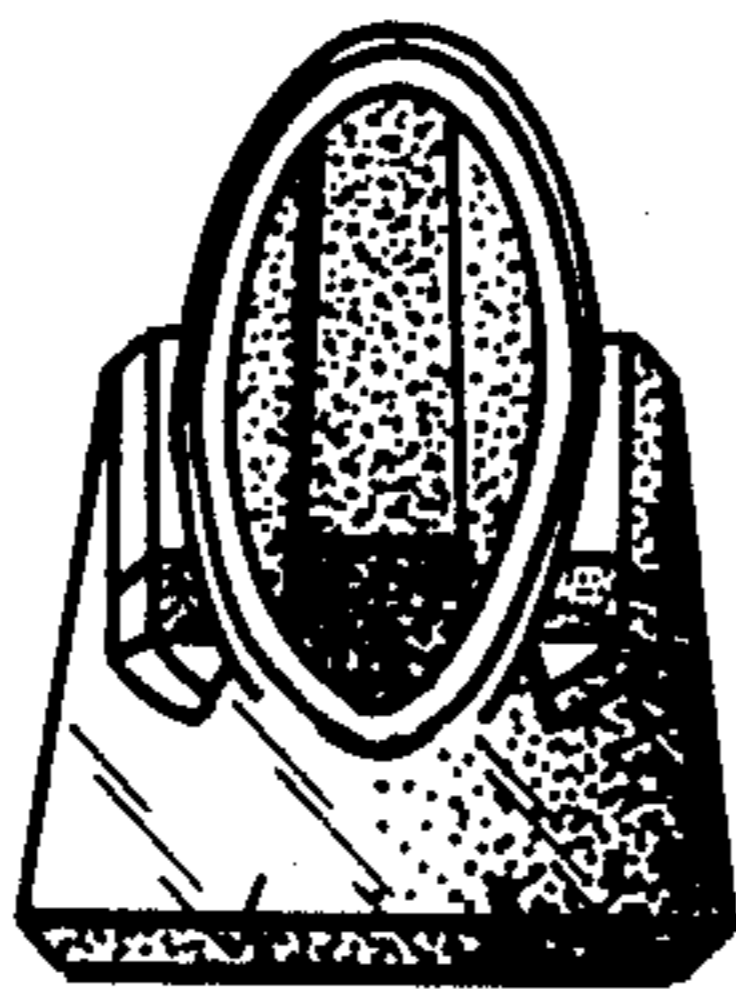


FIG. 5

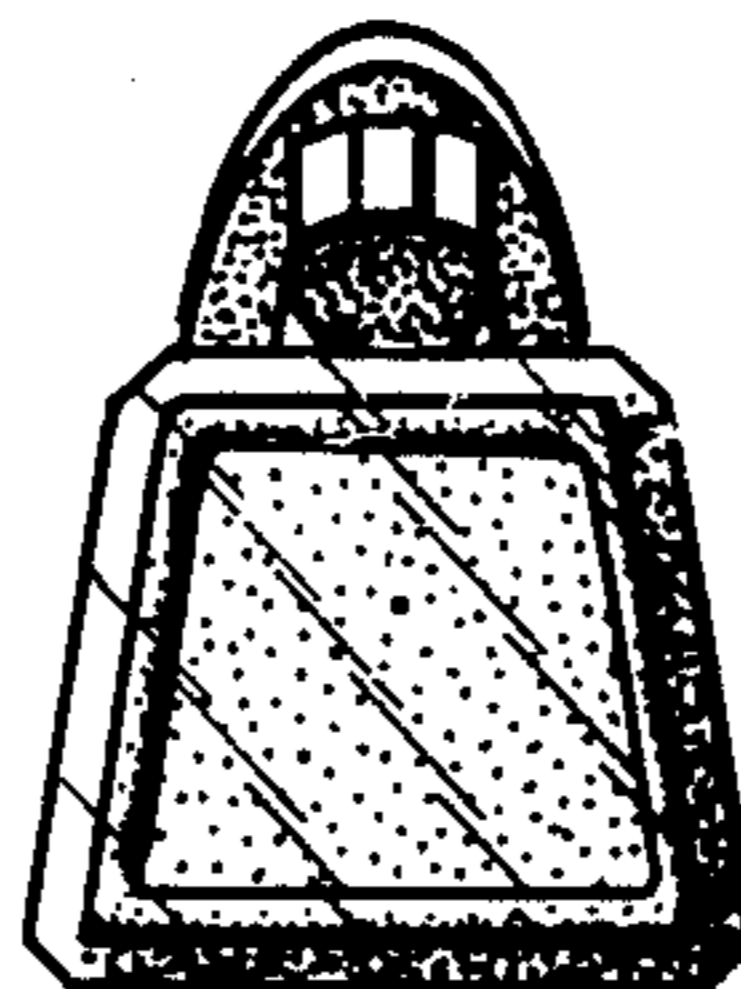


FIG. 6