

[54] HOUSING FOR A COMPUTER FAN

[75] Inventors: Adolph E. Goldfarb, Westlake Village; Stephen C. Beck, Berkeley; William H. Spragens, El Cerrito; Ricky D. Huntington, Canoga Park, all of Calif.

[73] Assignee: Beck-Tech, Incorporated, Berkeley, Calif.

[**] Term: 14 Years

[21] Appl. No.: 833,788

[22] Filed: Feb. 18, 1986

[52] U.S. Cl. D23/370; D14/114

[58] Field of Search D14/114; D23/370; 361/383, 384; 416/63; 417/360; 165/47, 104.33

[56] References Cited

U.S. PATENT DOCUMENTS

D. 268,283 3/1983 Hicks D14/114 X

D. 275,787 10/1984 Rapp et al. D23/370
4,237,521 12/1980 Denker 361/384
4,659,349 4/1987 Rodi et al. 361/384 X

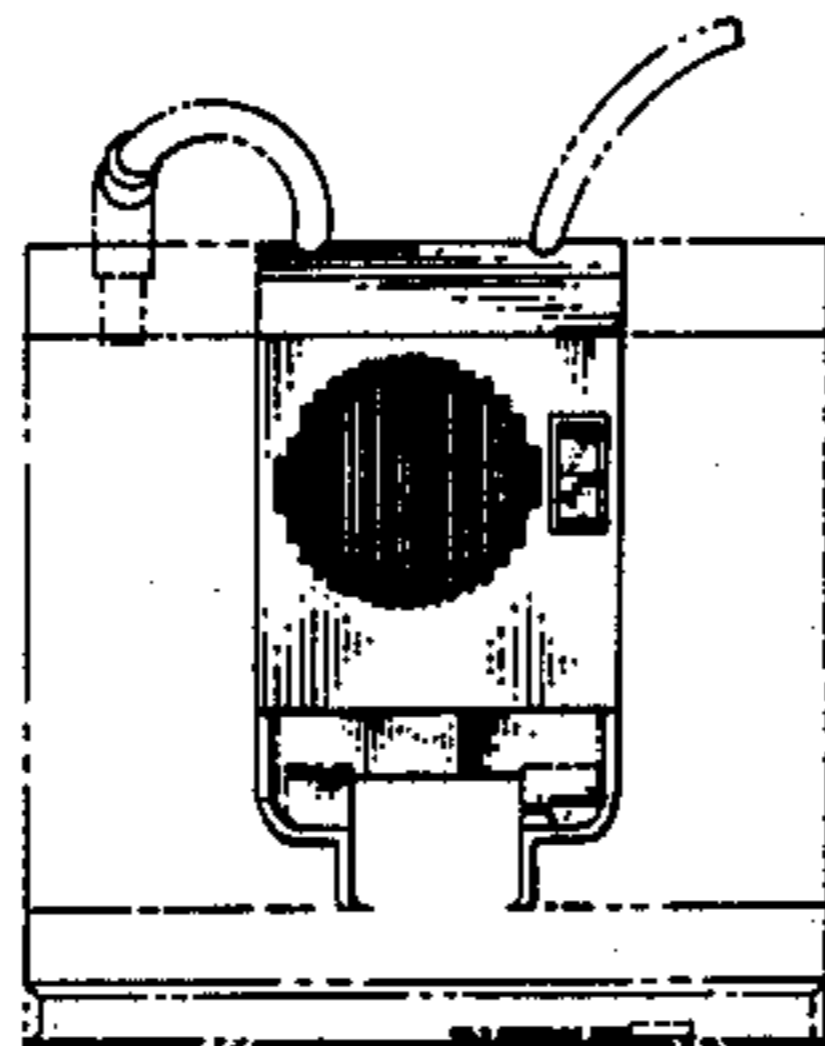
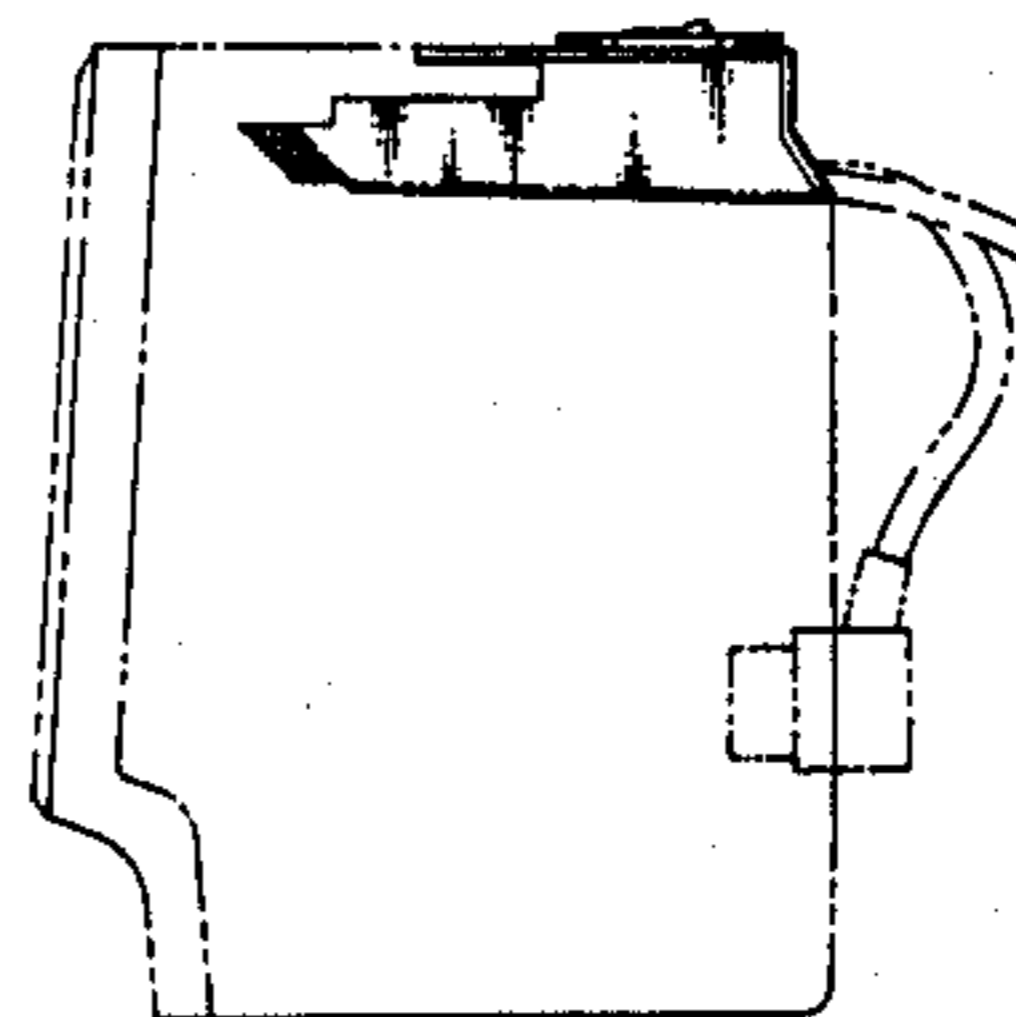
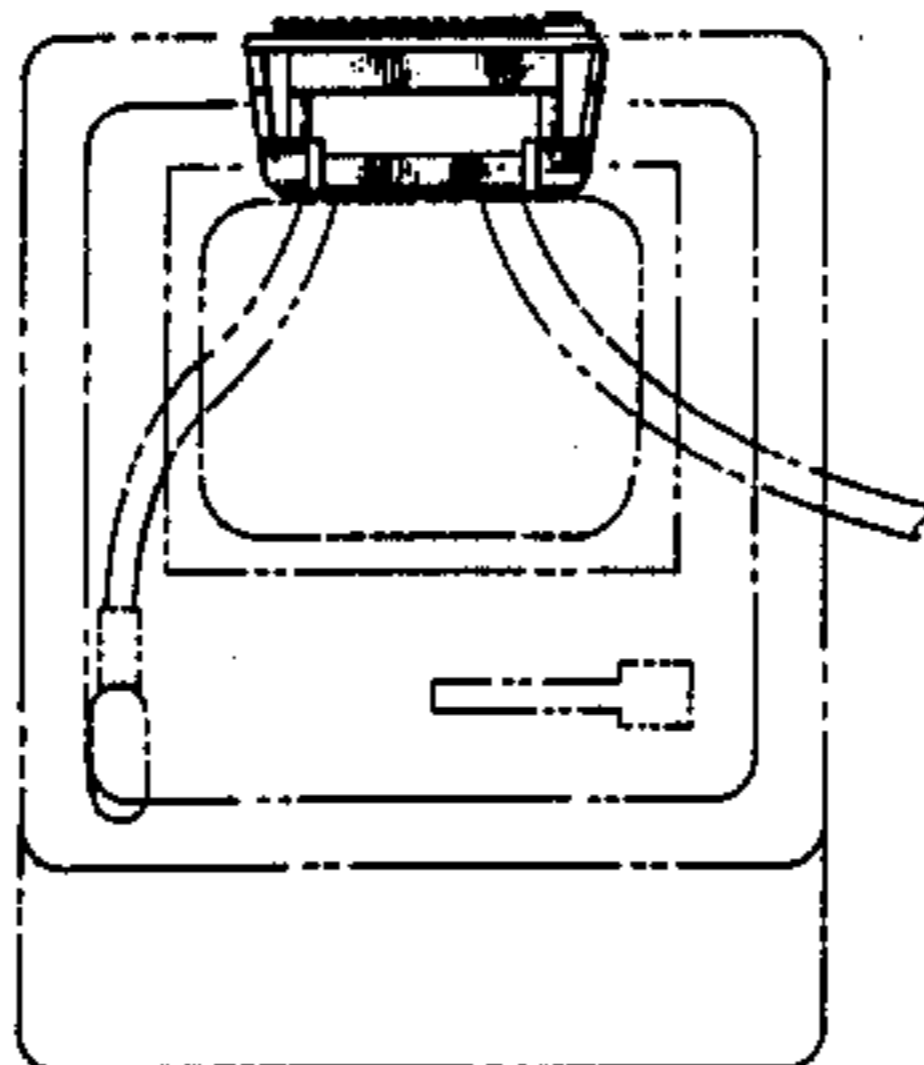
Primary Examiner—Susan J. Lucas
Attorney, Agent, or Firm—Ashen Golant Martin & Seldon

[57] CLAIM

The ornamental design for a housing for a computer fan, as shown and described herein.

DESCRIPTION

FIG. 1 is a front elevational view of a housing for a computer fan showing our new design; FIG. 2 is a right side elevational view thereof; FIG. 3 is a top plan view thereof; FIG. 4 is a rear elevational view thereof; FIG. 5 is a left side elevational view thereof; and FIG. 6 is a bottom plan view thereof. The computer and cables are shown in broken lines for illustrative purposes only.



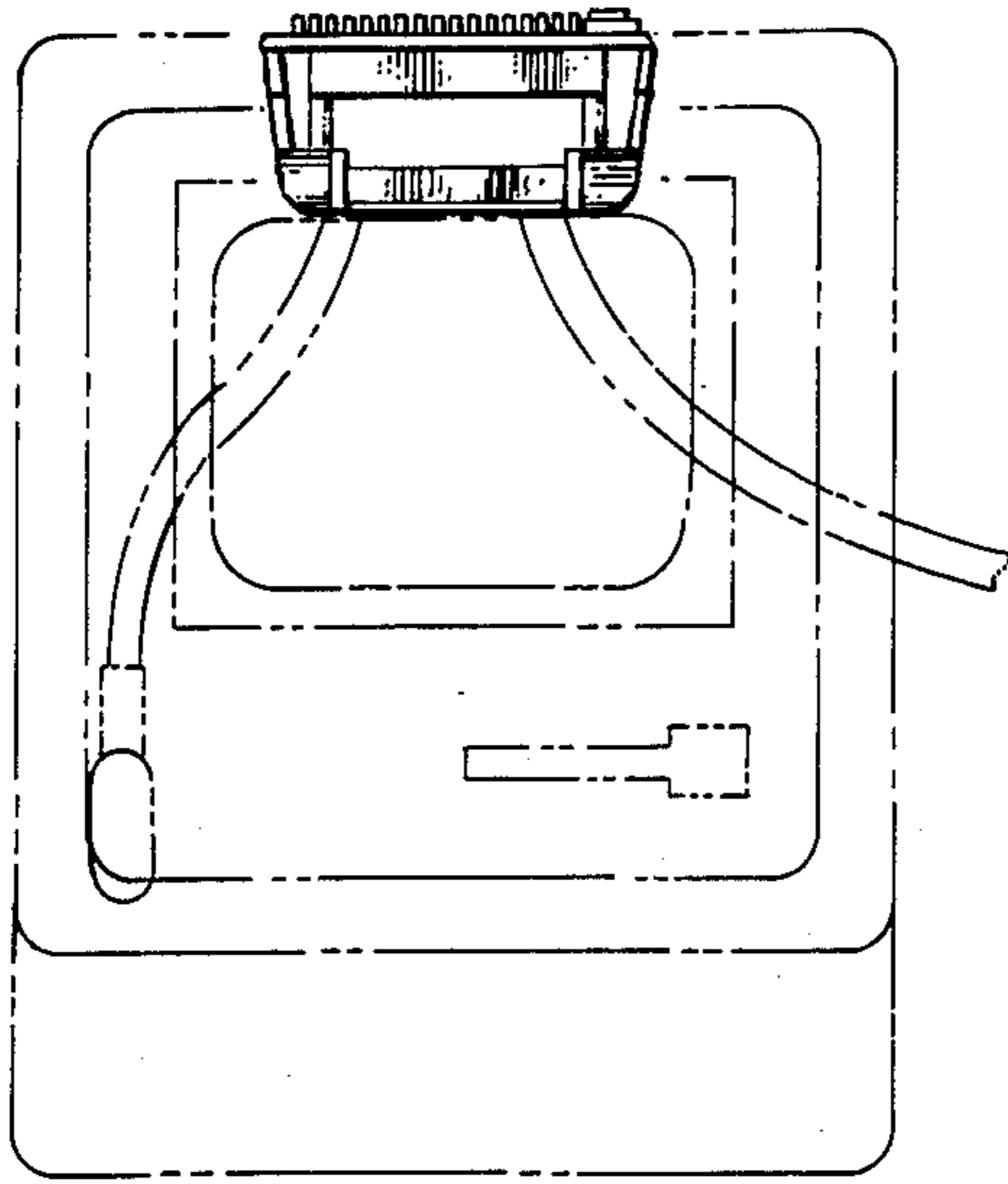


FIG. 1

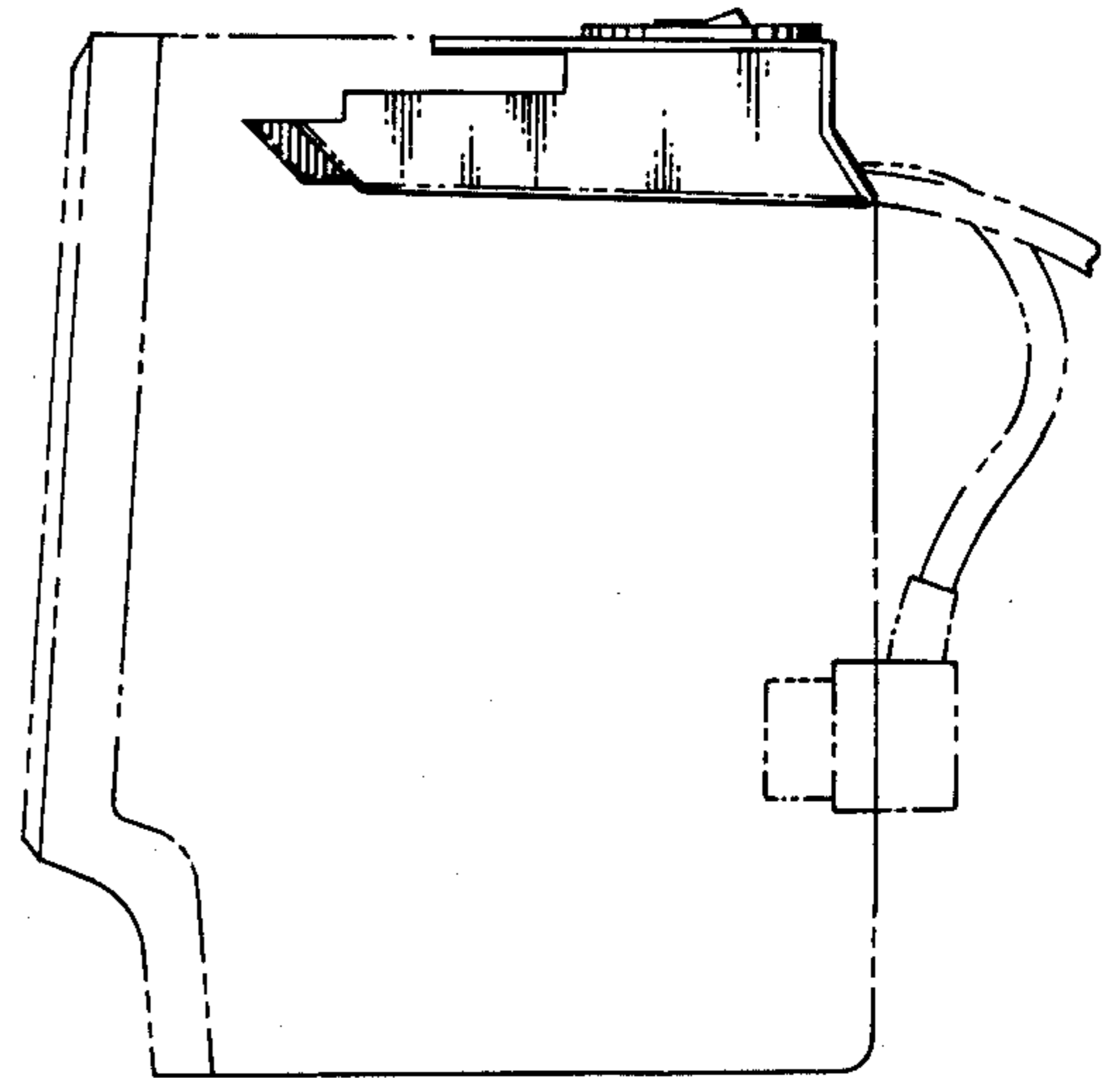


FIG. 2

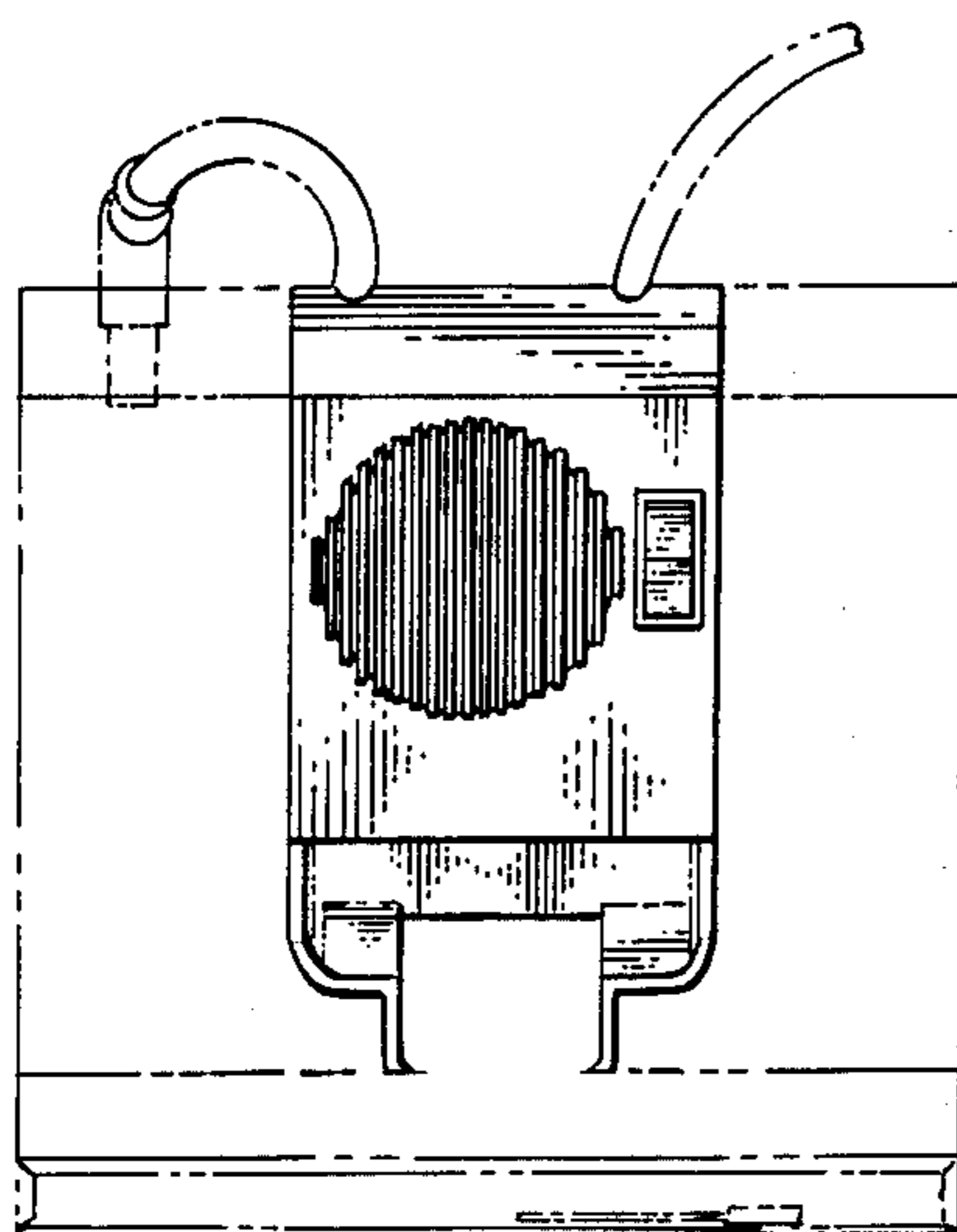


FIG. 3

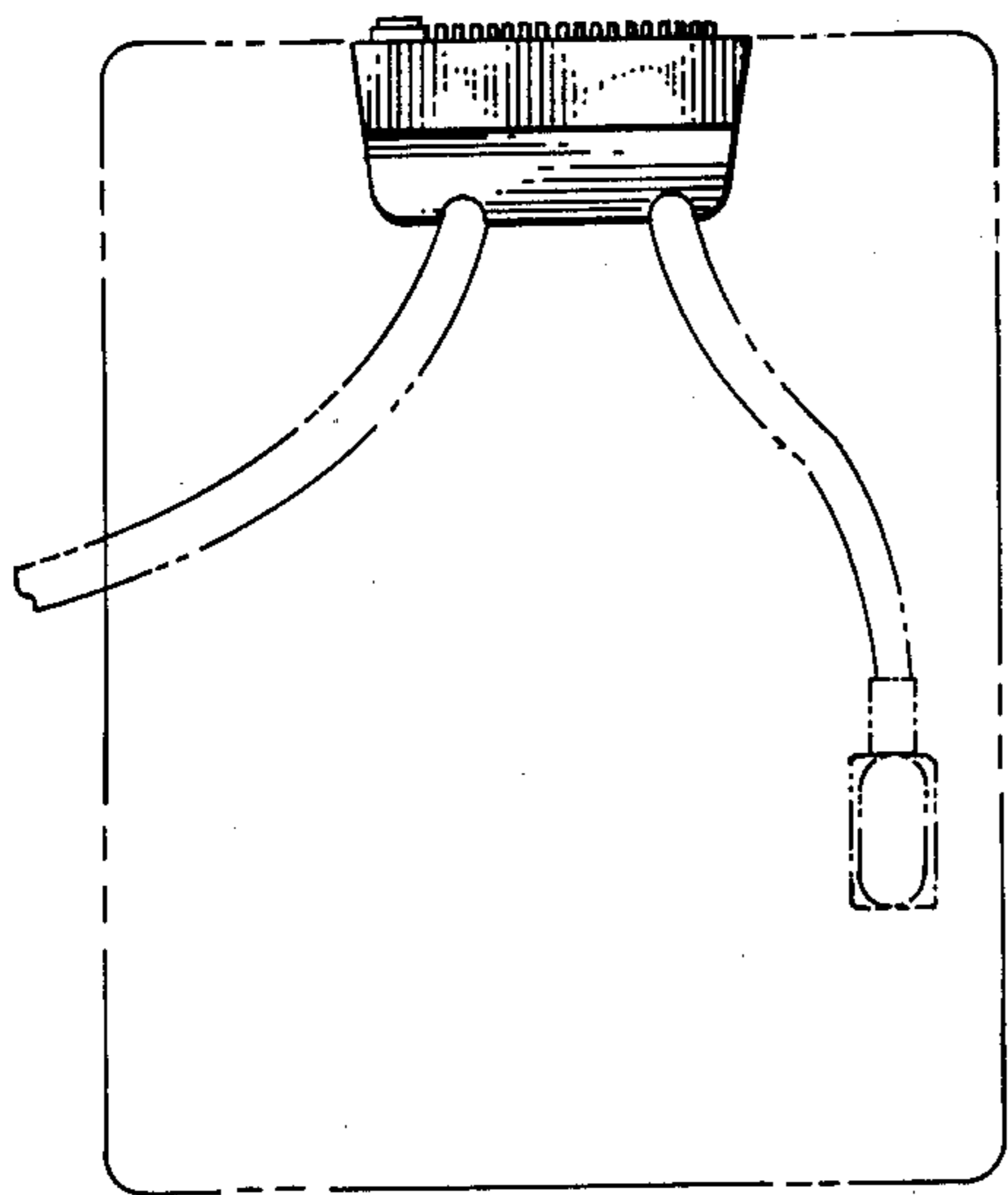


FIG. 4

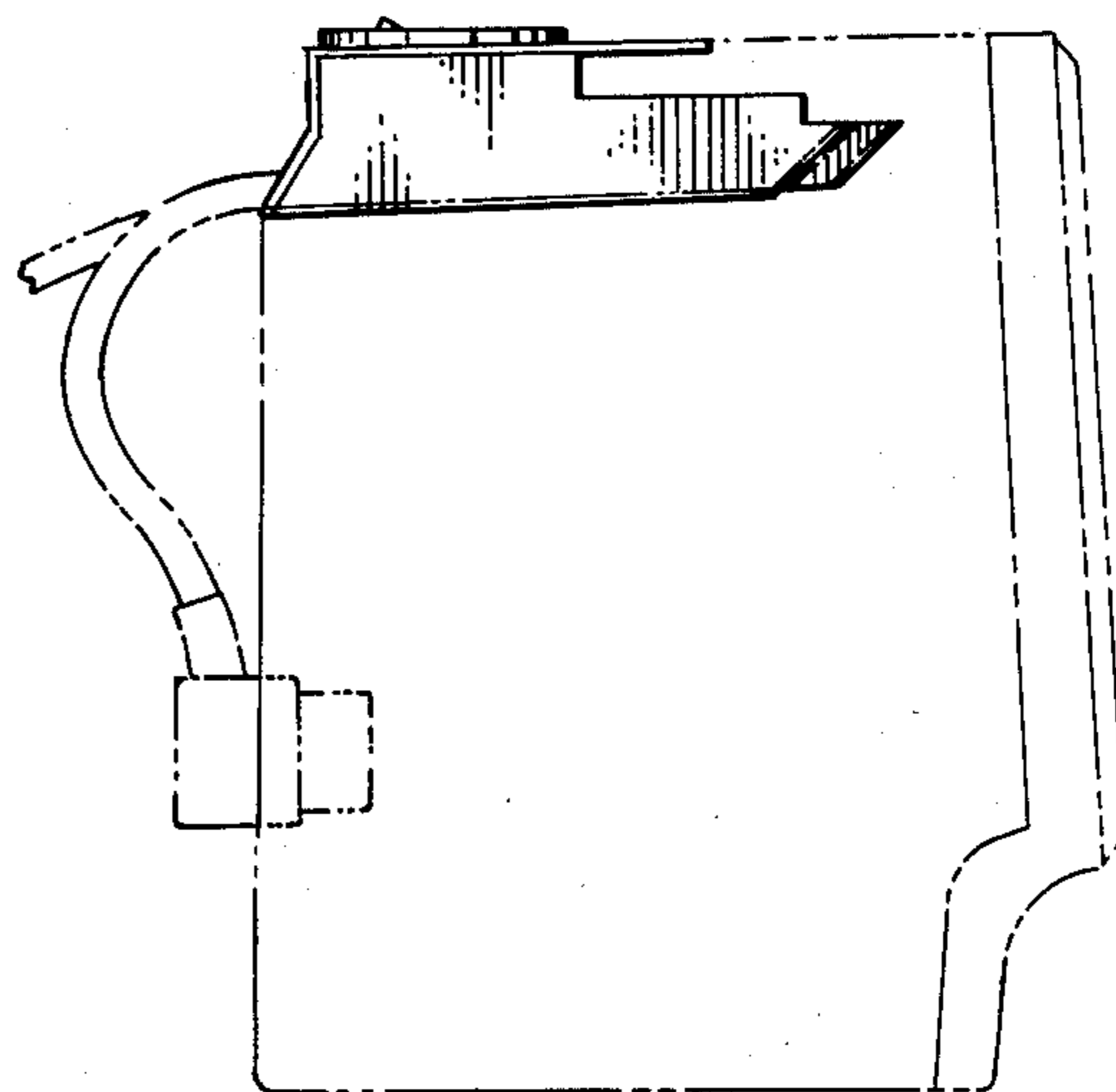


FIG. 5

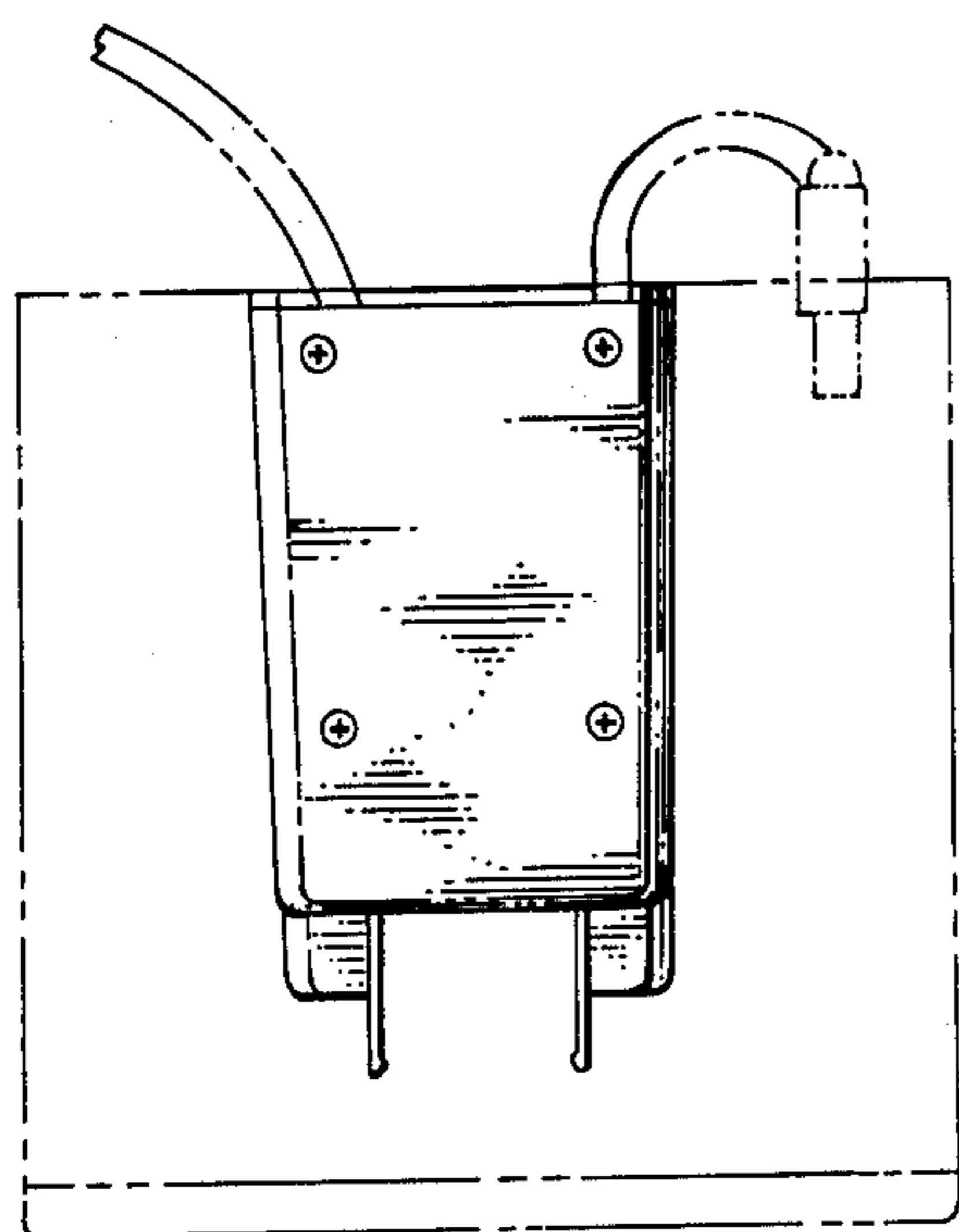


FIG. 6