

[54] **FOREND SUPPORT FOR HAND GUN**

[76] **Inventor: Samuel E. Florida, 1312 Porter St., Conway, Pa. 15027**

[**] **Term: 14 Years**

[21] **Appl. No.: 775,603**

[22] **Filed: Sep. 13, 1985**

[52] **U.S. Cl. D22/108**

[58] **Field of Search D22/108; 42/94**

[56] **References Cited**

U.S. PATENT DOCUMENTS

- D. 203,680 2/1966 Allison D22/108
- D. 261,794 11/1981 Bechtel D22/108
- 4,397,112 8/1983 York D22/108 X

Primary Examiner—A. Hugo Word

Attorney, Agent, or Firm—Charles E. Baxley

[57] **CLAIM**

The ornamental design for a forend support for hand gun, as shown and described.

DESCRIPTION

FIG. 1 is a side elevational view of a forend support for hand gun according to my design; a hand gun phantom in dashed lines thereon forms no part of my design;

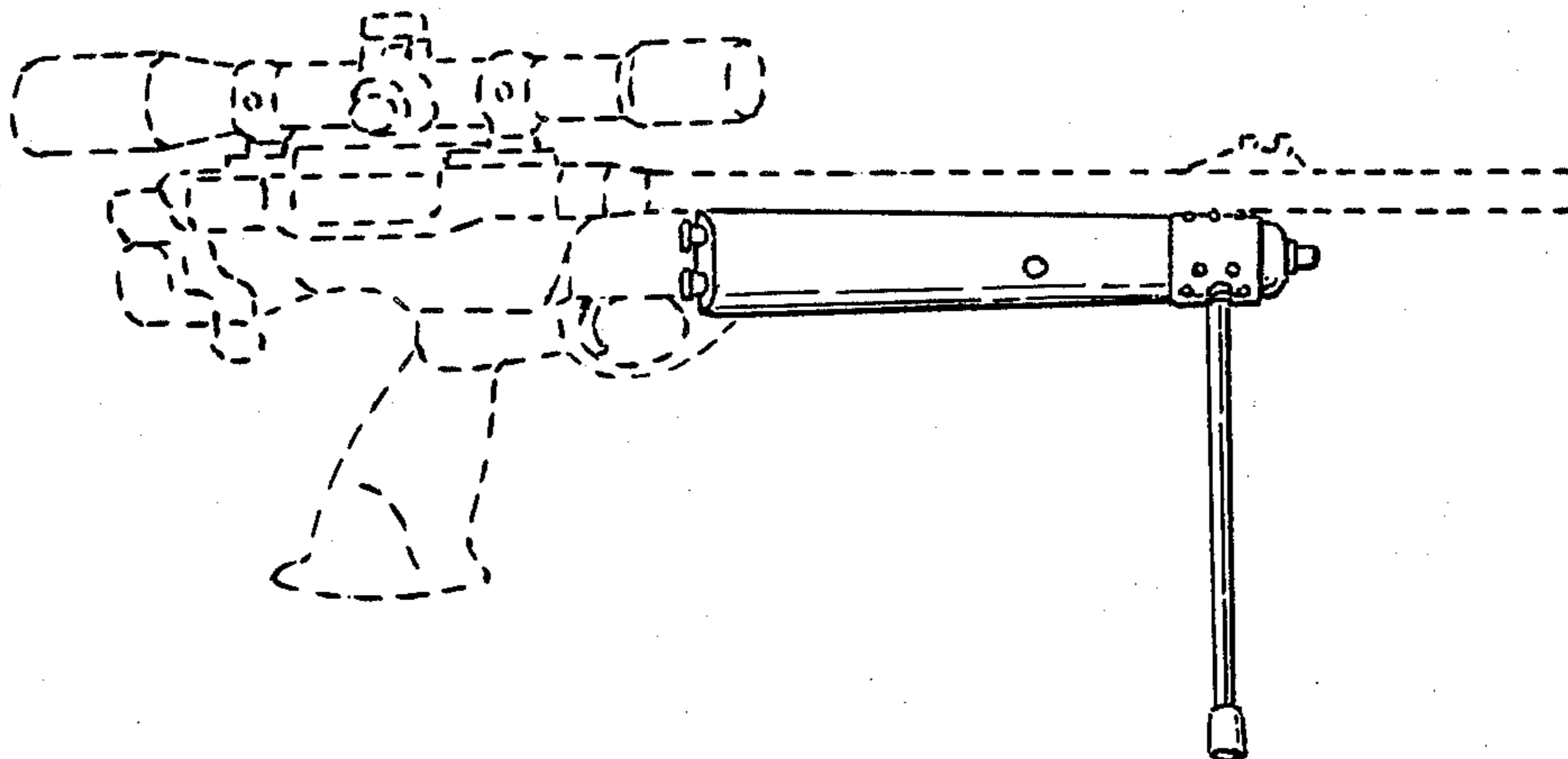
FIG. 2 is an enlarged side elevational view of my forend support for hand gun, the other side view being a mirror image of FIG. 2;

FIG. 3 is a front elevational view thereof;

FIG. 4 is a rear elevational view thereof;

FIG. 5 is a top plan view thereof; and

FIG. 6 is a bottom plan view thereof.



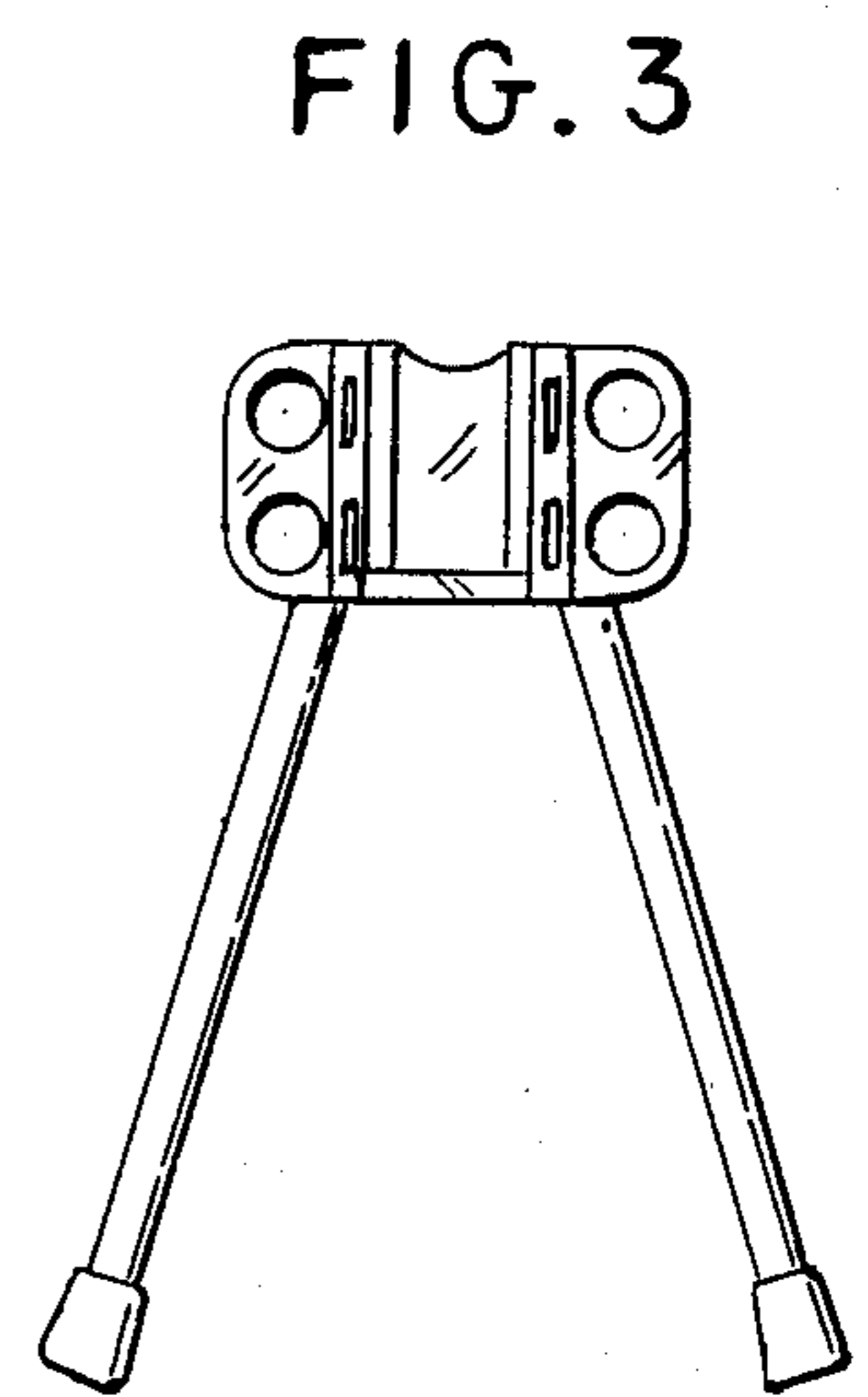
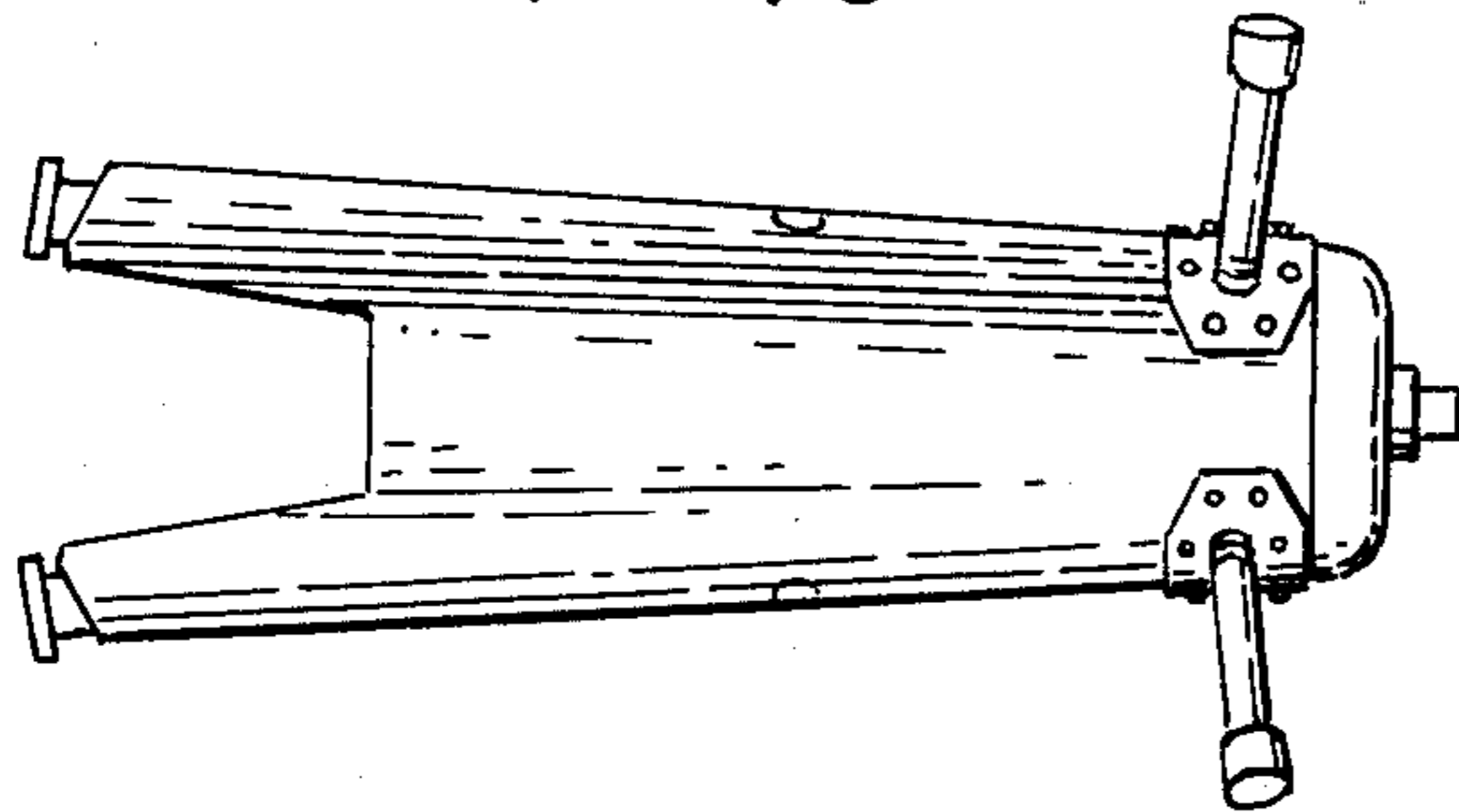
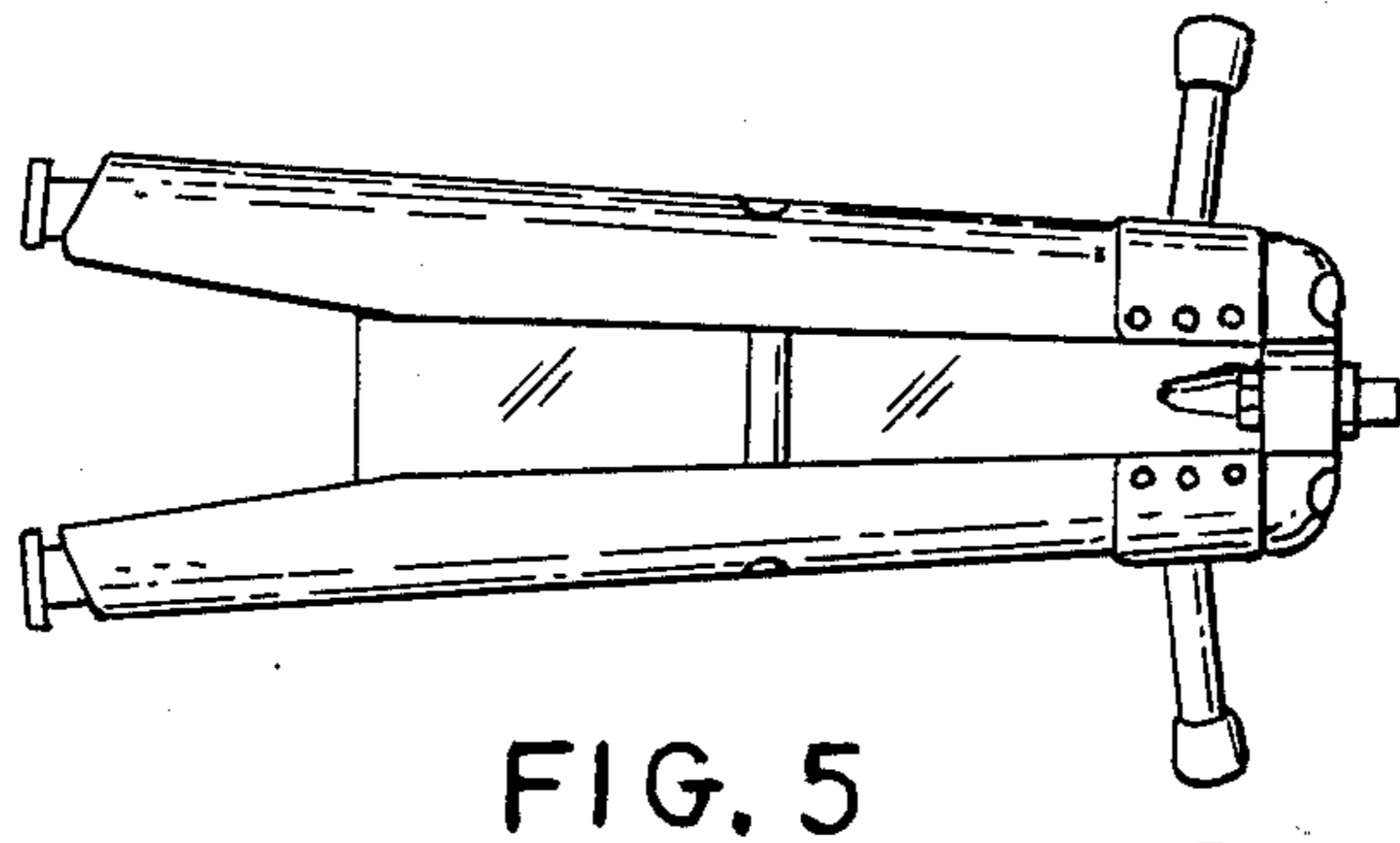
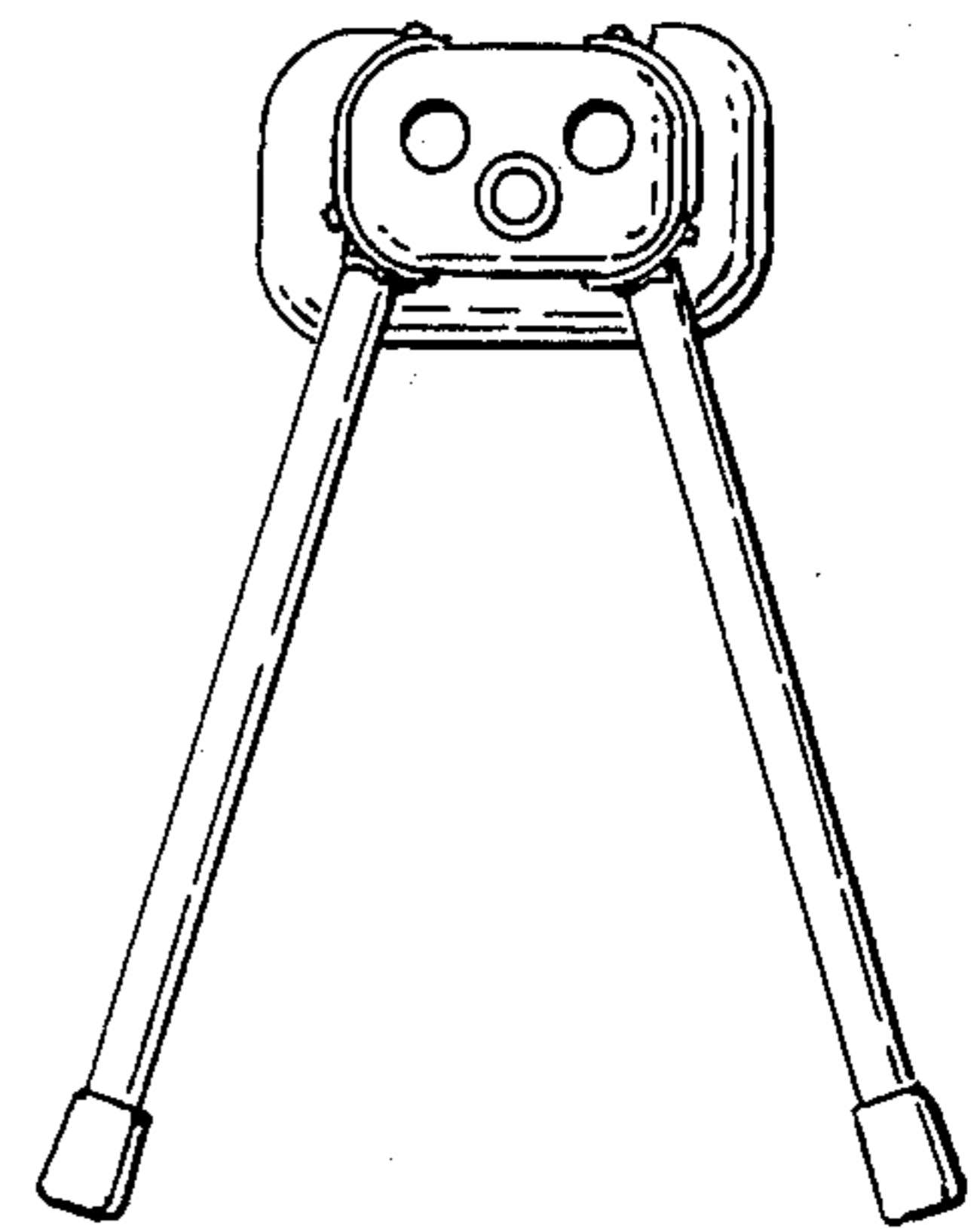
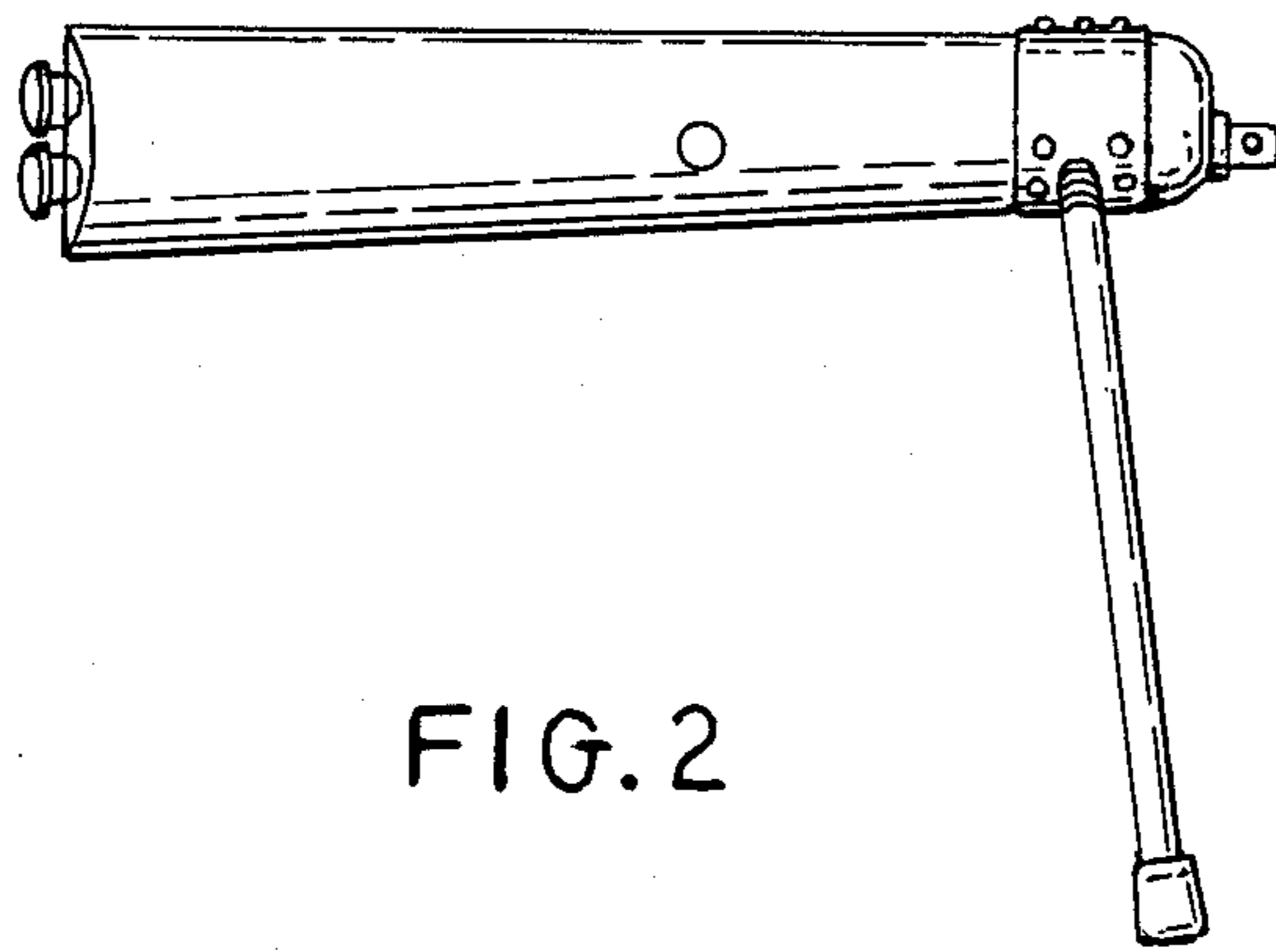
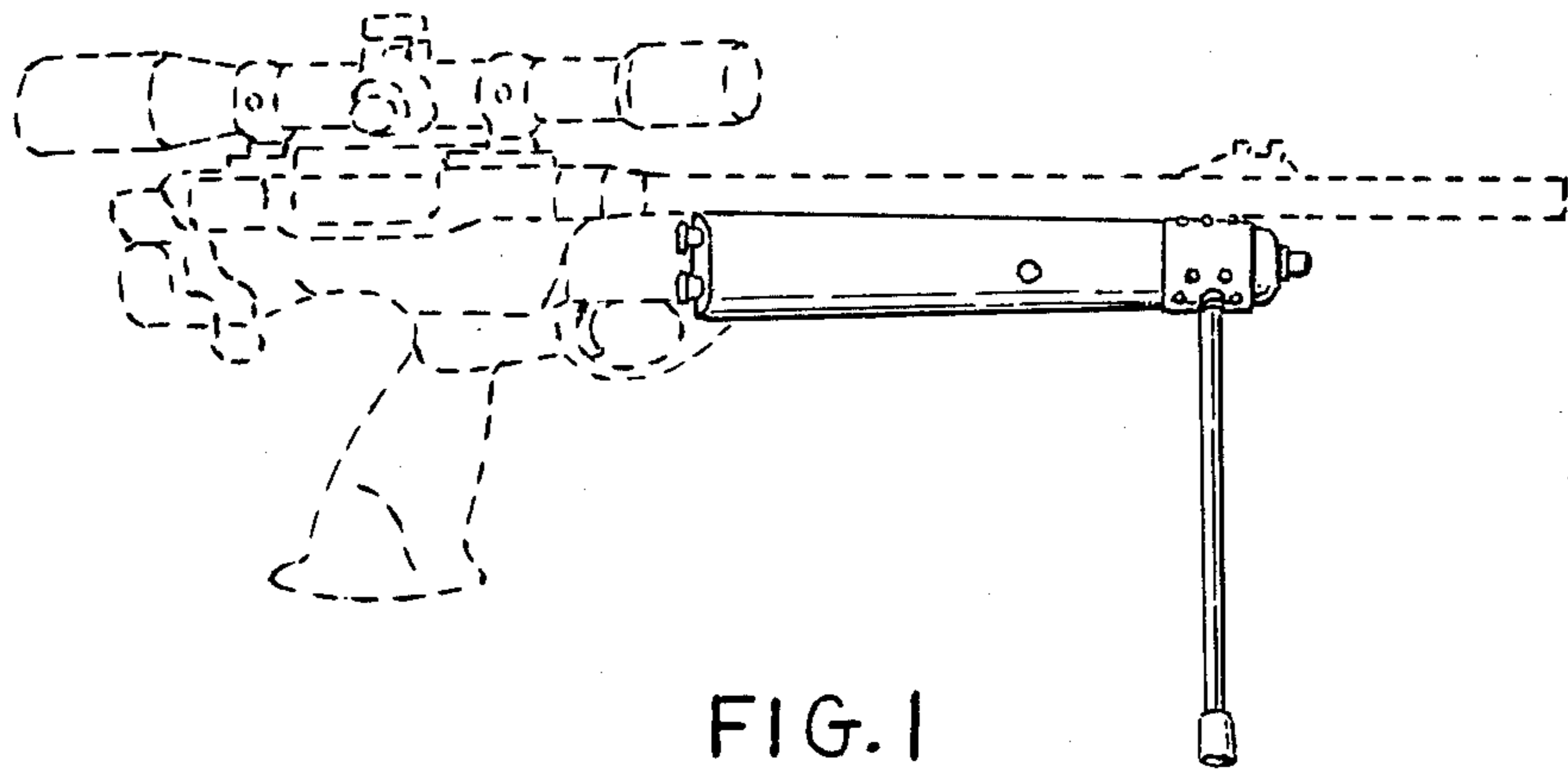


FIG. 6

FIG. 4