

[54] SEWING MACHINE

[75] Inventor: Yoshihide Yoneda, Osaka, Japan

[73] Assignee: Maruzen Sewing Machine Co., Ltd., Japan

[**] Term: 14 Years

[21] Appl. No.: 30,995

[22] Filed: Mar. 27, 1987

Related U.S. Application Data

[62] Division of Ser. No. 700,662, Feb. 11, 1985.

[30] Foreign Application Priority Data

Sep. 28, 1984 [JP] Japan 59-040299

Sep. 28, 1984 [JP] Japan 59-040300

[52] U.S. Cl. D15/69

[58] Field of Search D15/69, 70; 112/63, 112/258-261

[56] References Cited

U.S. PATENT DOCUMENTS

D. 274,910	7/1984	Szostak et al.	D15/69
3,570,431	3/1971	Fresard	112/63
3,954,073	5/1976	Varin	112/259
3,990,375	11/1976	Adams	112/258
4,187,794	2/1980	Ross et al.	D15/69

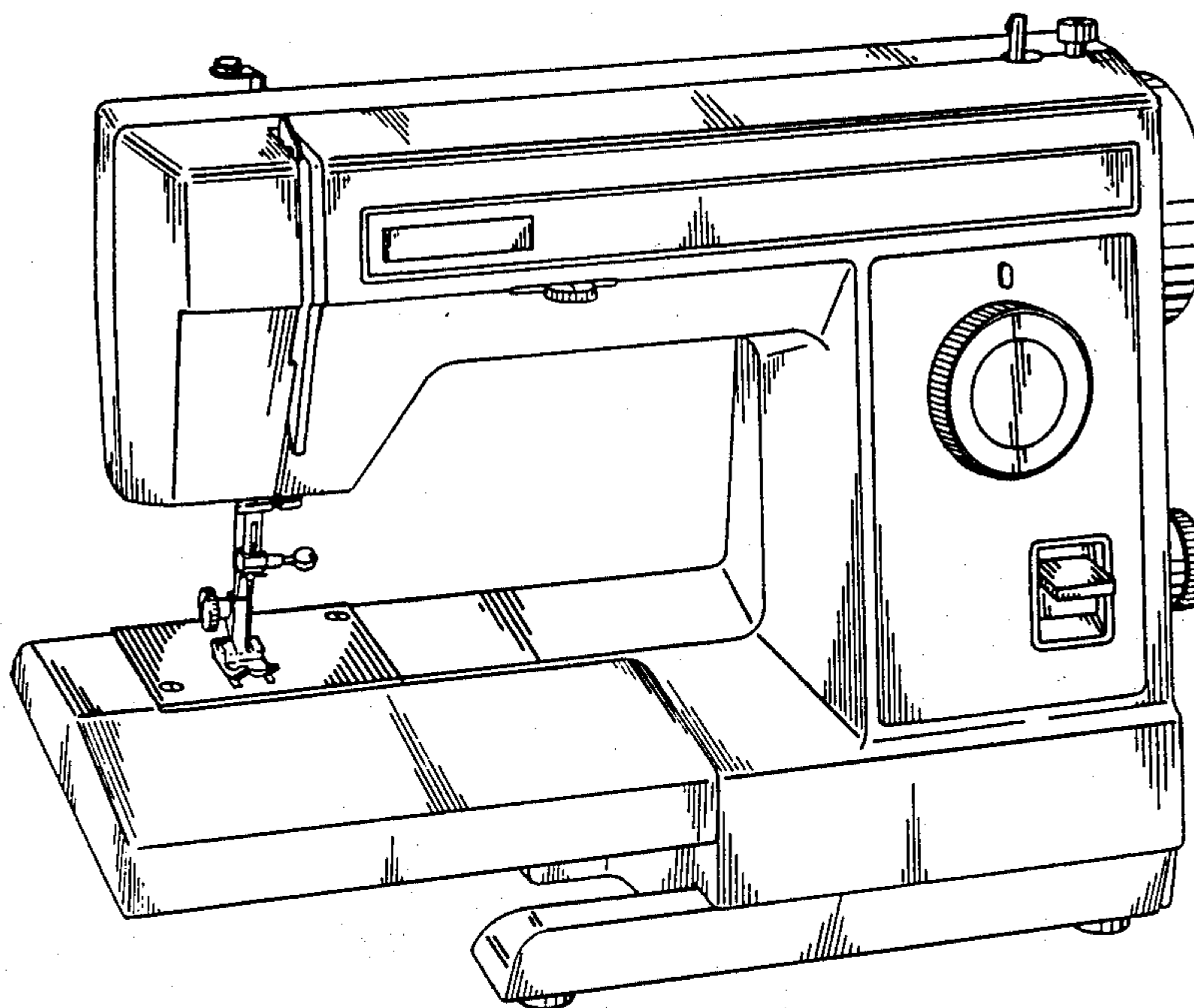
Primary Examiner—Melvin B. Feifer
Attorney, Agent, or Firm—Lowe, Price, LeBlanc,
Becker & Shur

[57] CLAIM

The ornamental design for a sewing machine, as shown.

DESCRIPTION

FIG. 1 is a top plan view of an embodiment of a sewing machine showing my new design;
FIG. 2 is a front view thereof;
FIG. 3 is a bottom plan view thereof;
FIG. 4 is a rear view thereof;
FIG. 5 is a left side view thereof;
FIG. 6 is a right side view thereof; and
FIG. 7 is a front perspective view thereof.



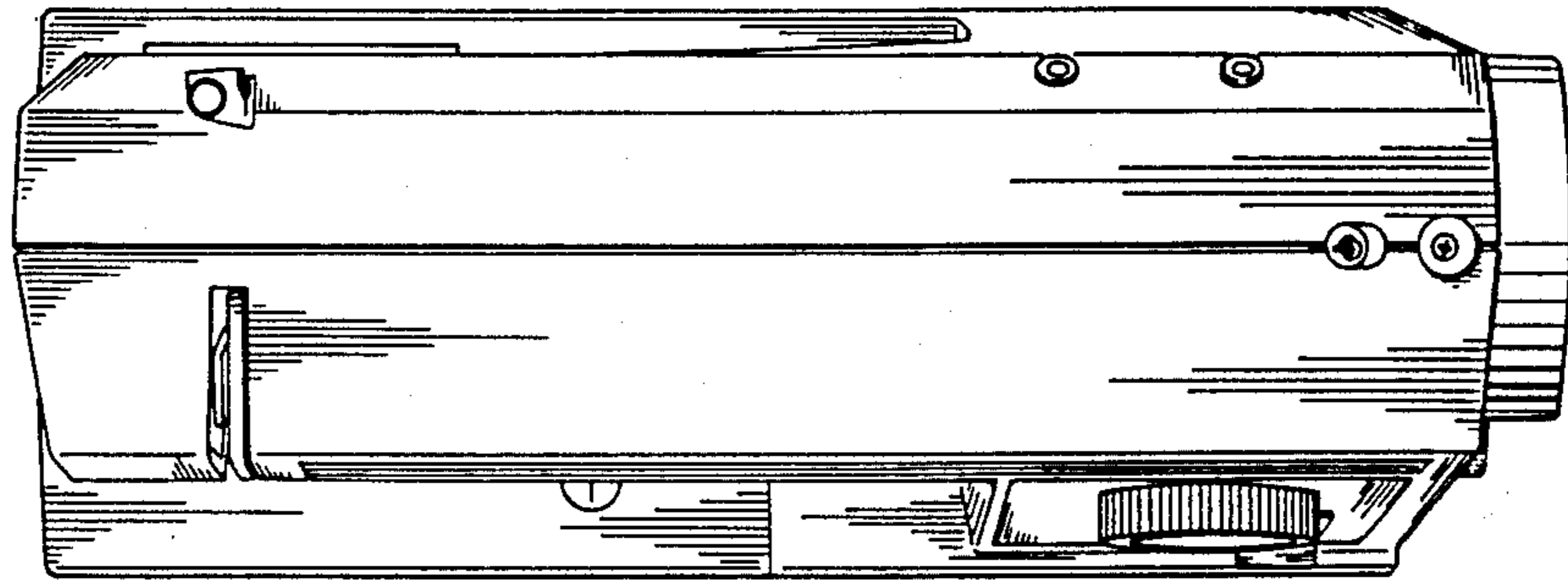


Fig. 1

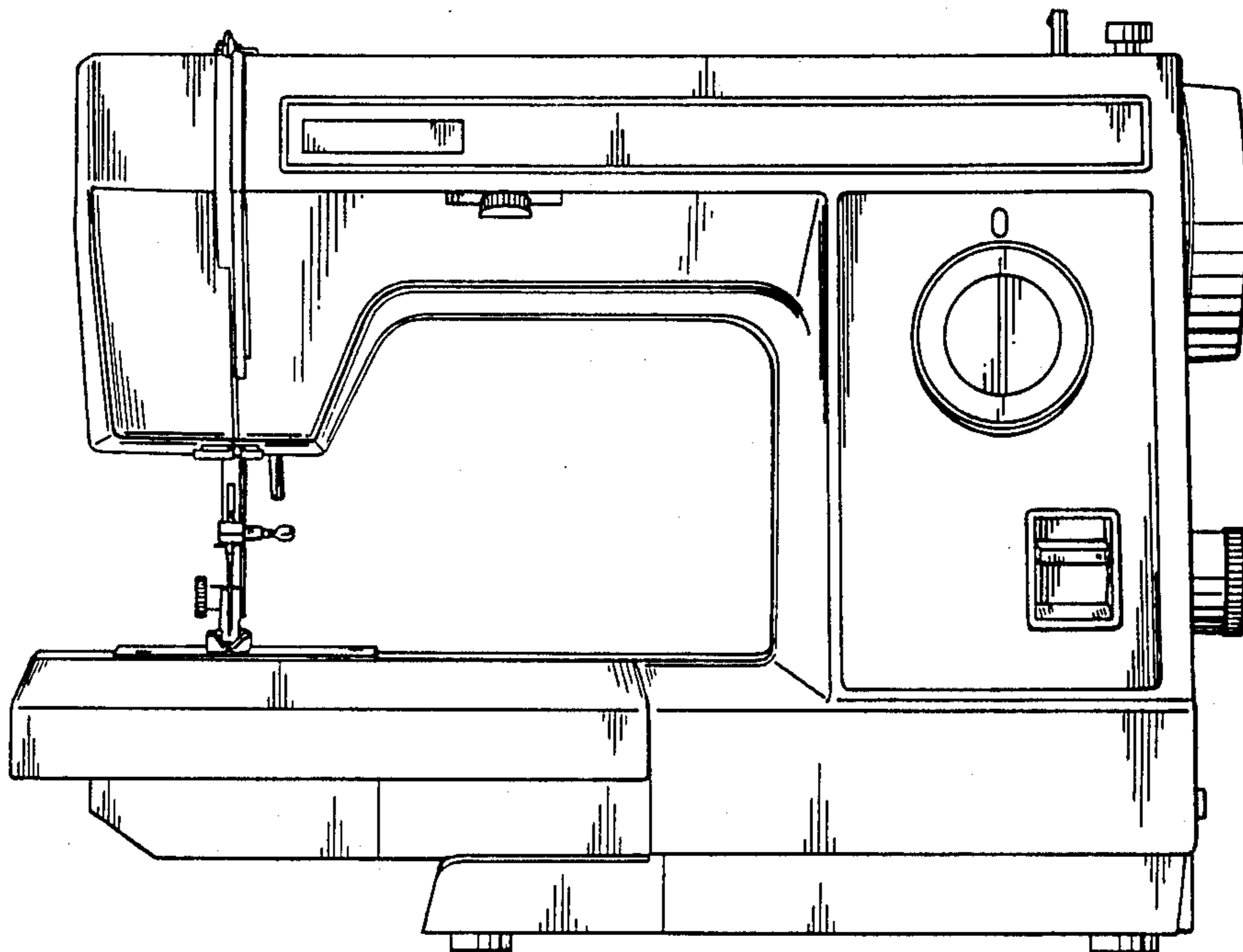


Fig. 2

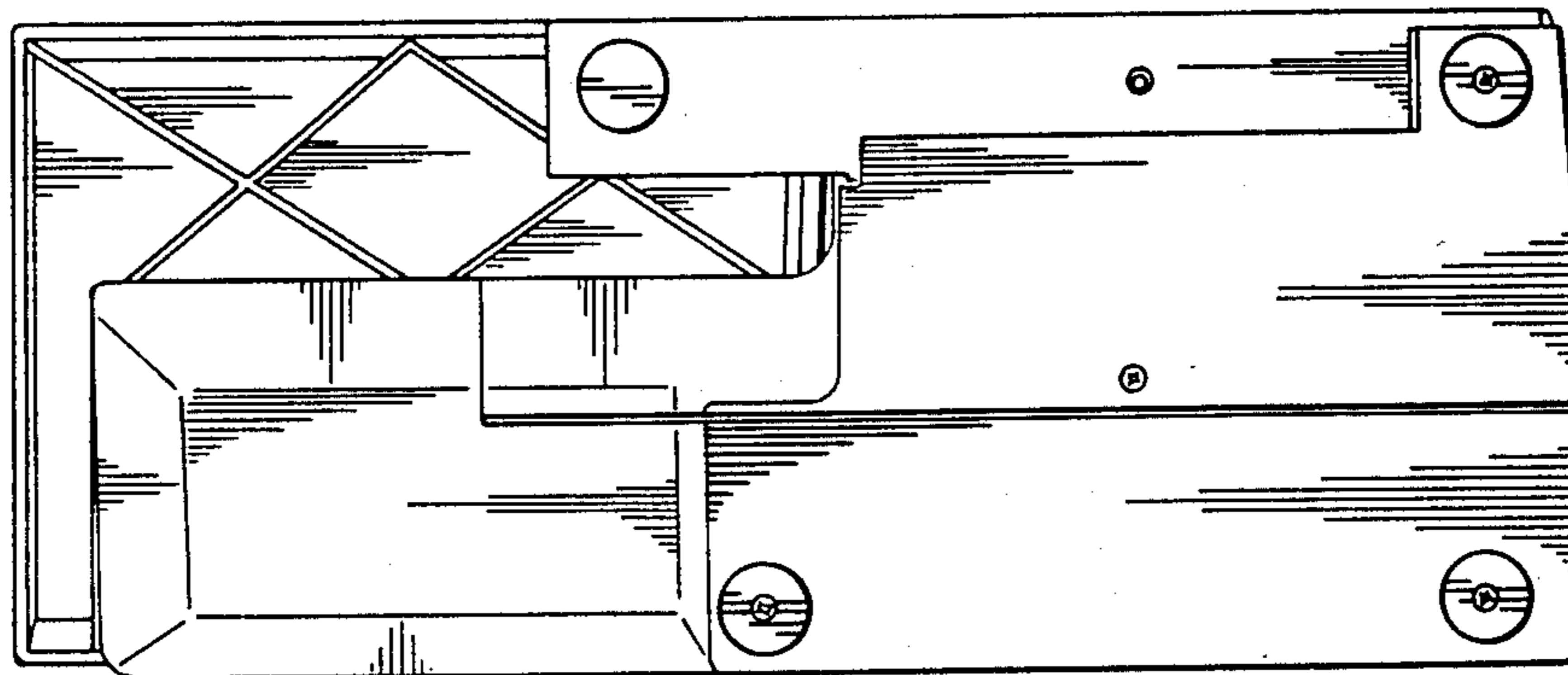


Fig. 3

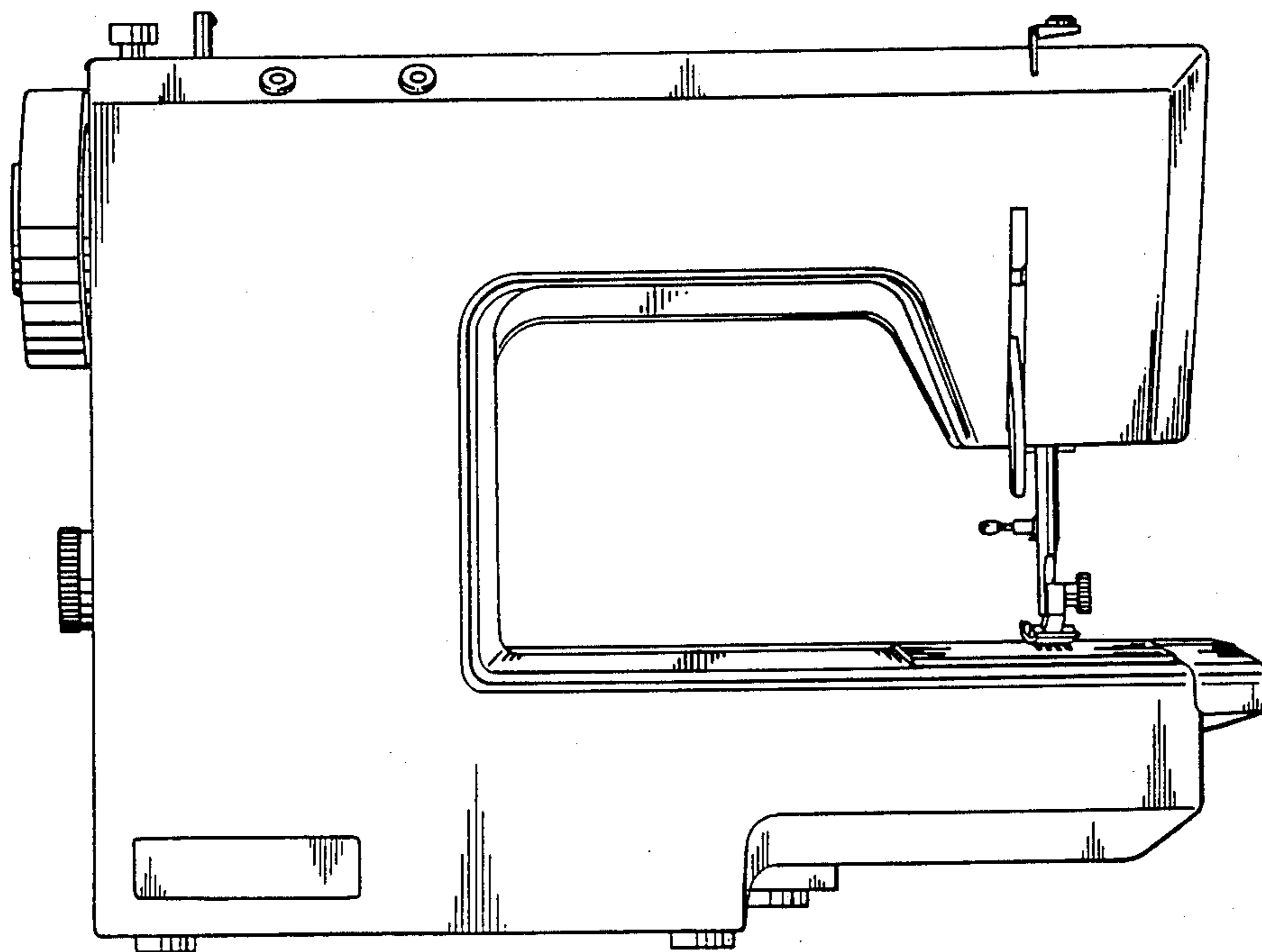


Fig. 4

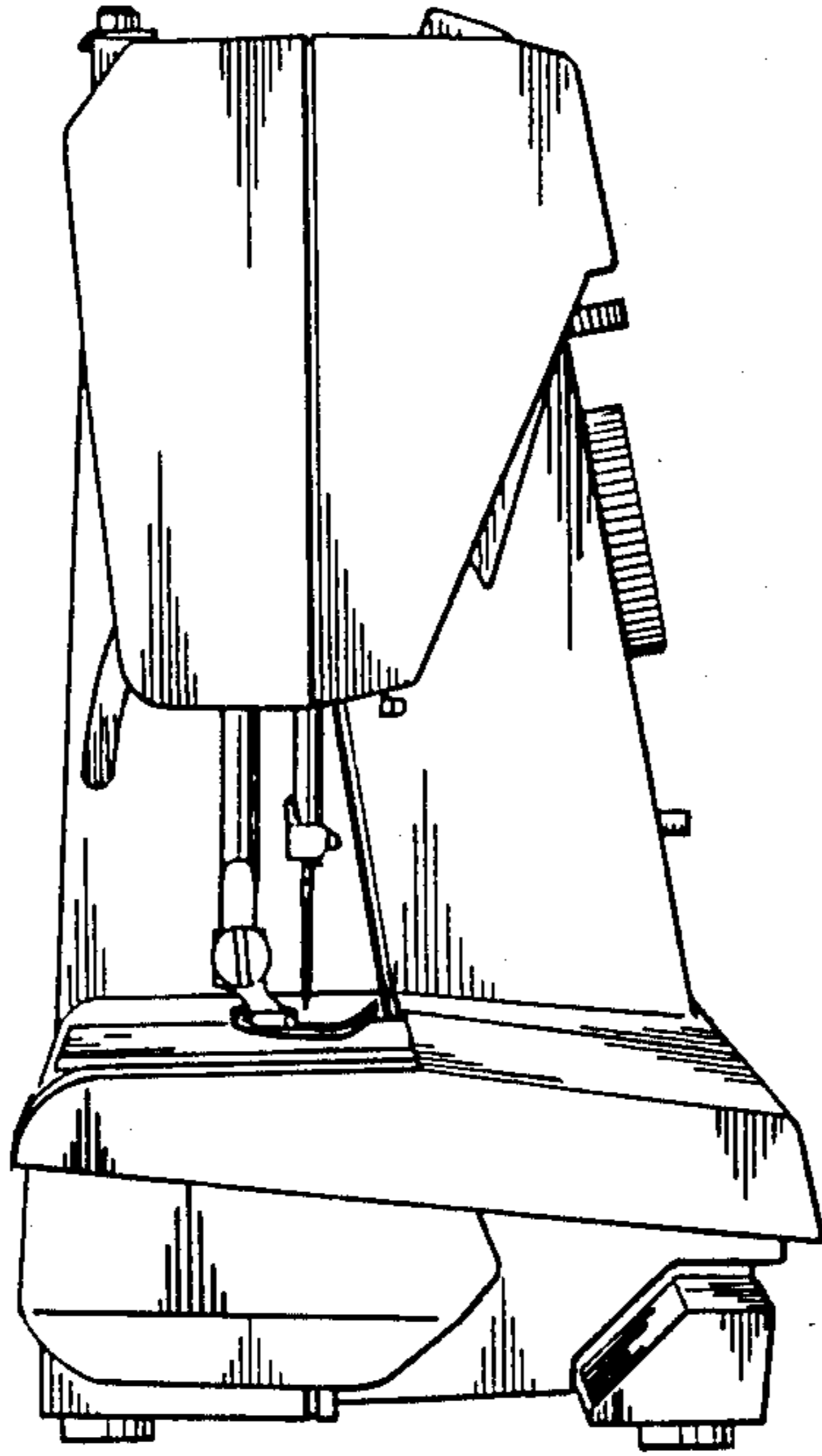


Fig. 5

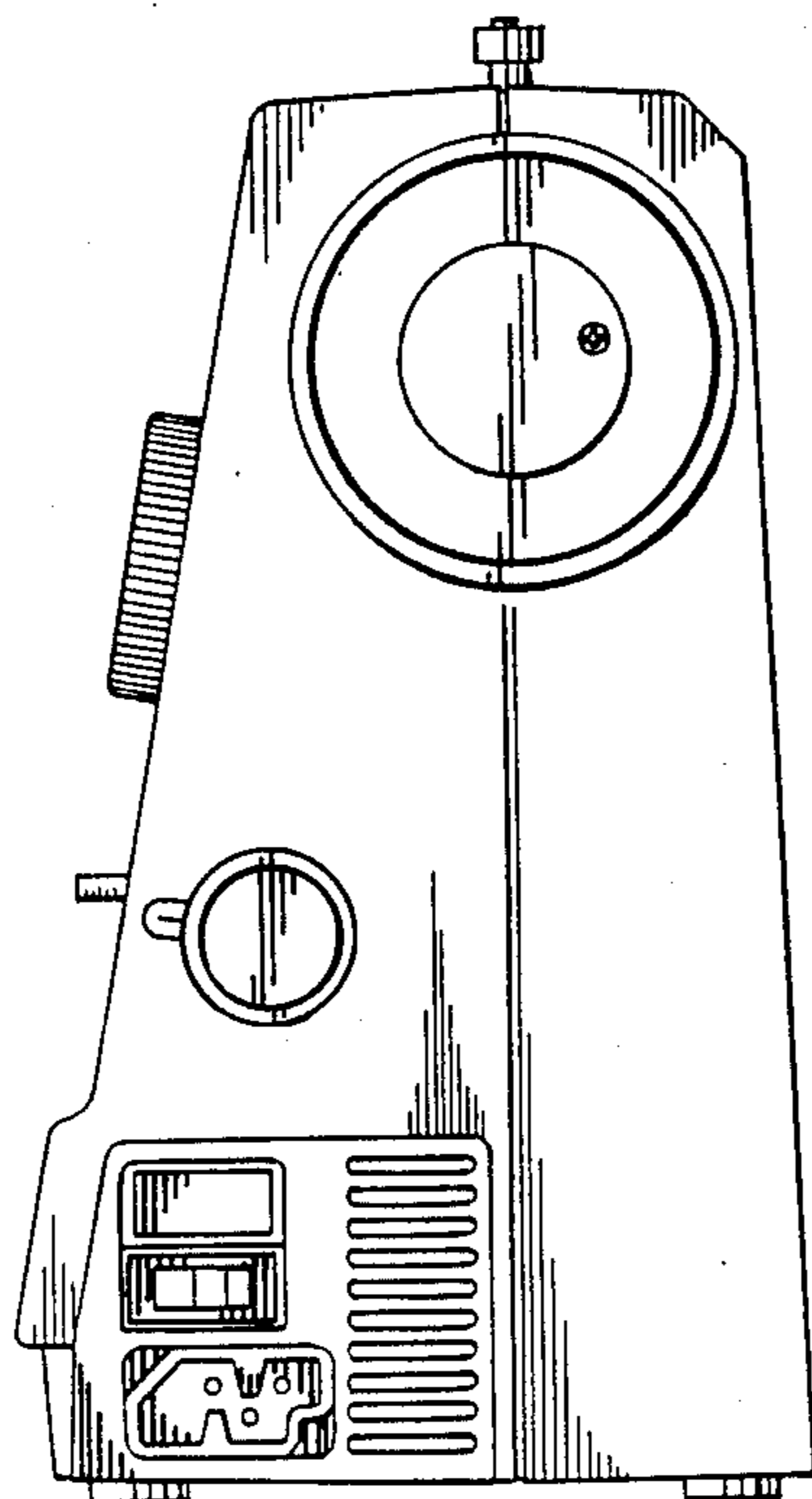


Fig. 6

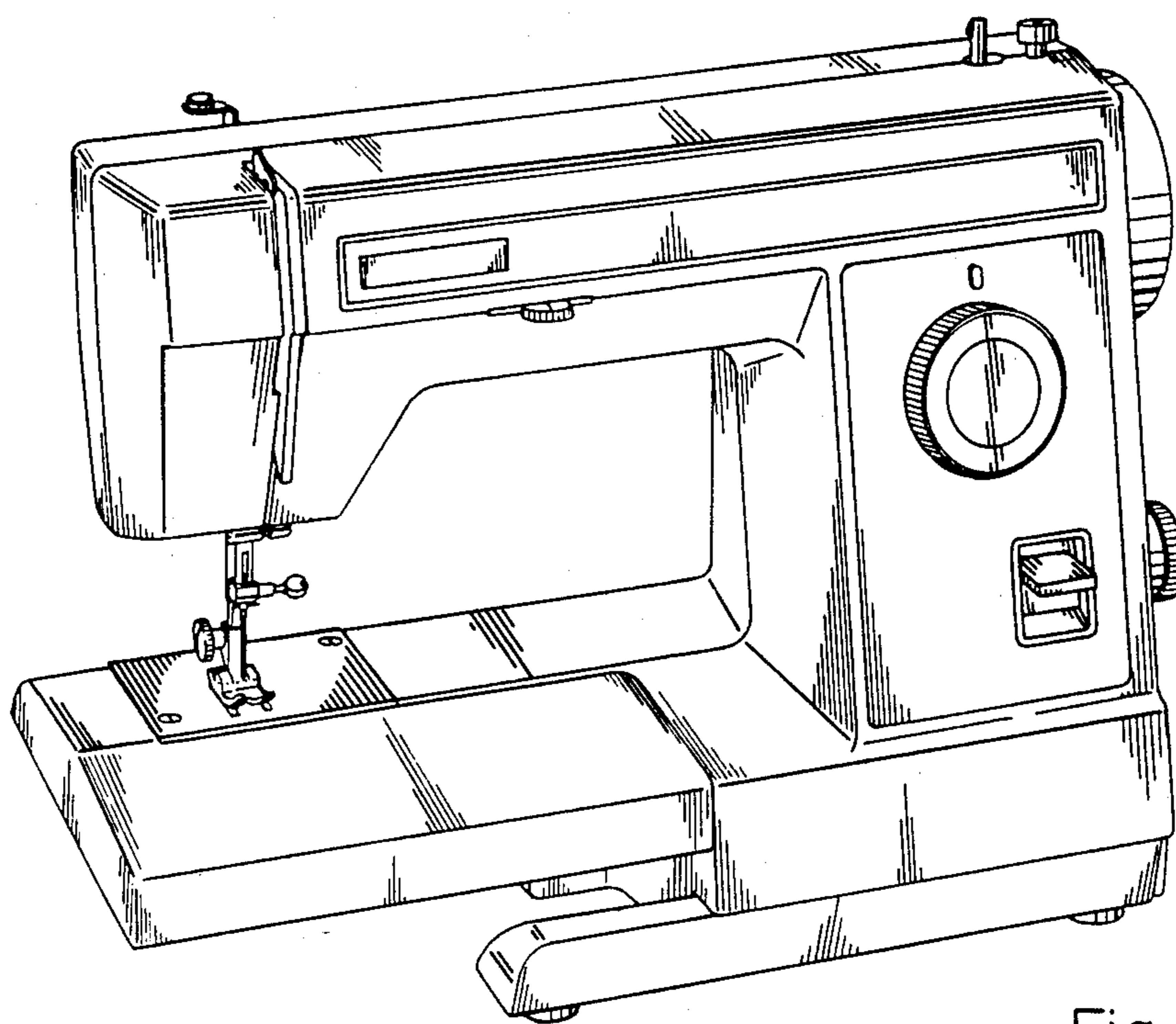


Fig. 7