

[54] FRONT OF AN INSTRUMENT PANEL FOR AN ELECTRONIC BAR CODE READER

[75] Inventors: Michael S. Beard, Pineville, N.C.; James M. DeArras, Richmond, Va.; Allen M. Grayson, Charlotte, N.C.; Vernon L. Stant, Richmond, Va.; Frederick M. Weaver, Charlotte, N.C.

[73] Assignee: Hand Held Products, Charlotte, N.C.

[\*\*] Term: 14 Years

[21] Appl. No.: 879,911

[22] Filed: Jun. 27, 1986

Related U.S. Application Data

[63] Continuation of Ser. No. 817,908, Jan. 10, 1986, abandoned.

[52] U.S. Cl. .... D14/115

[58] Field of Search ..... D14/105, 107, 114, 115, D14/116; 235/454, 470, 472; 250/203 R, 566; 340/365 R, 365 VL; 200/5 R, 5 A; D13/12, 32, 38

[56] References Cited

U.S. PATENT DOCUMENTS

- D. 248,946 8/1978 Koenig ..... D14/116
- D. 267,950 2/1983 Ault ..... D14/115
- D. 275,105 8/1984 Kuschewski et al. .... D14/115
- 4,420,682 12/1983 Huber ..... 235/472

Primary Examiner—Susan J. Lucas

Attorney, Agent, or Firm—Bell, Seltzer, Park & Gibson

[57] CLAIM

The ornamental design for the front of an instrument panel for an electronic bar code reader, as shown and described.

DESCRIPTION

FIG. 1 is a front perspective view of the front of an instrument panel for an electronic bar code reader showing the new design;

FIG. 2 is a front elevational view of the design;

FIG. 3 is a front perspective view of a second embodiment of the design;

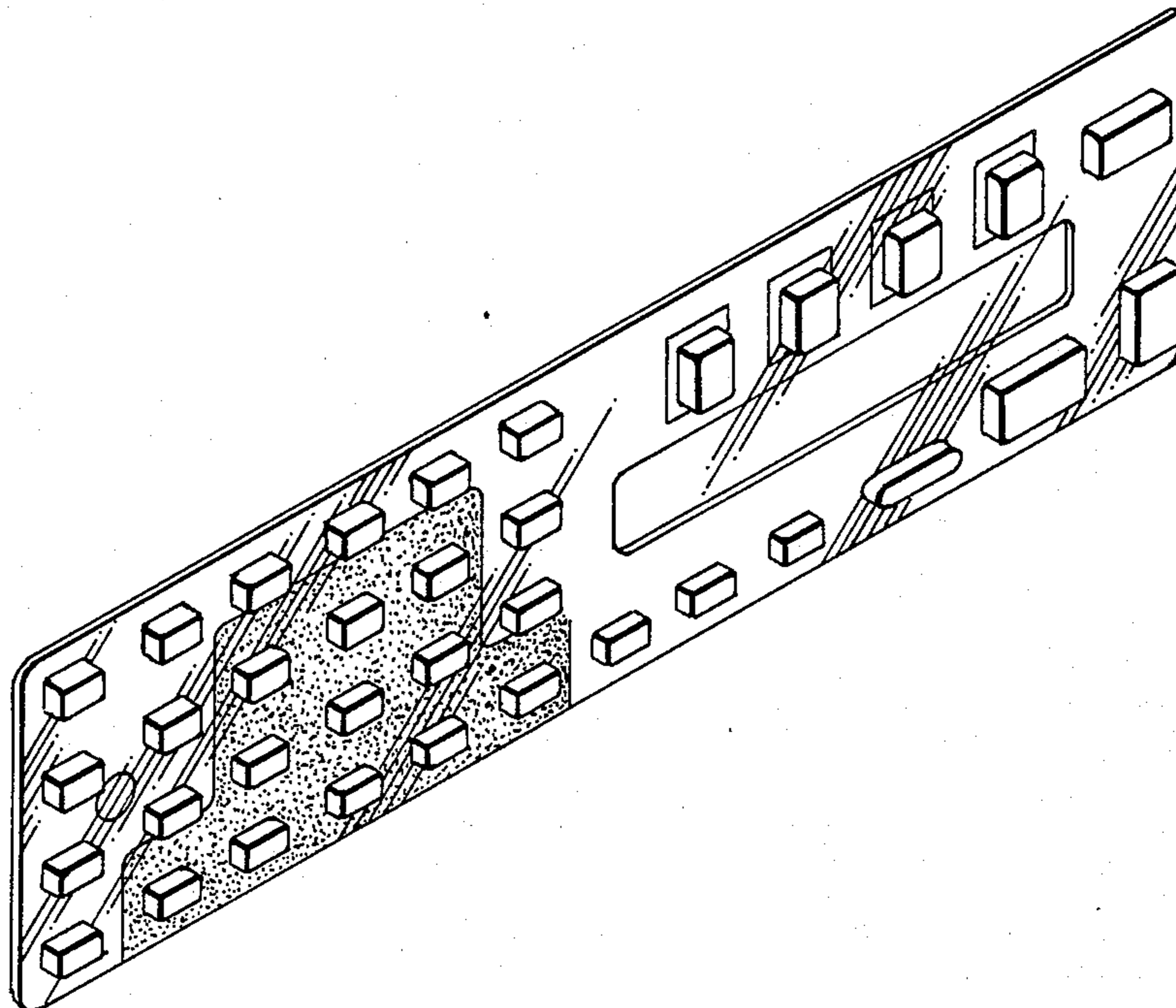
FIG. 4 is a front elevational view of this second embodiment;

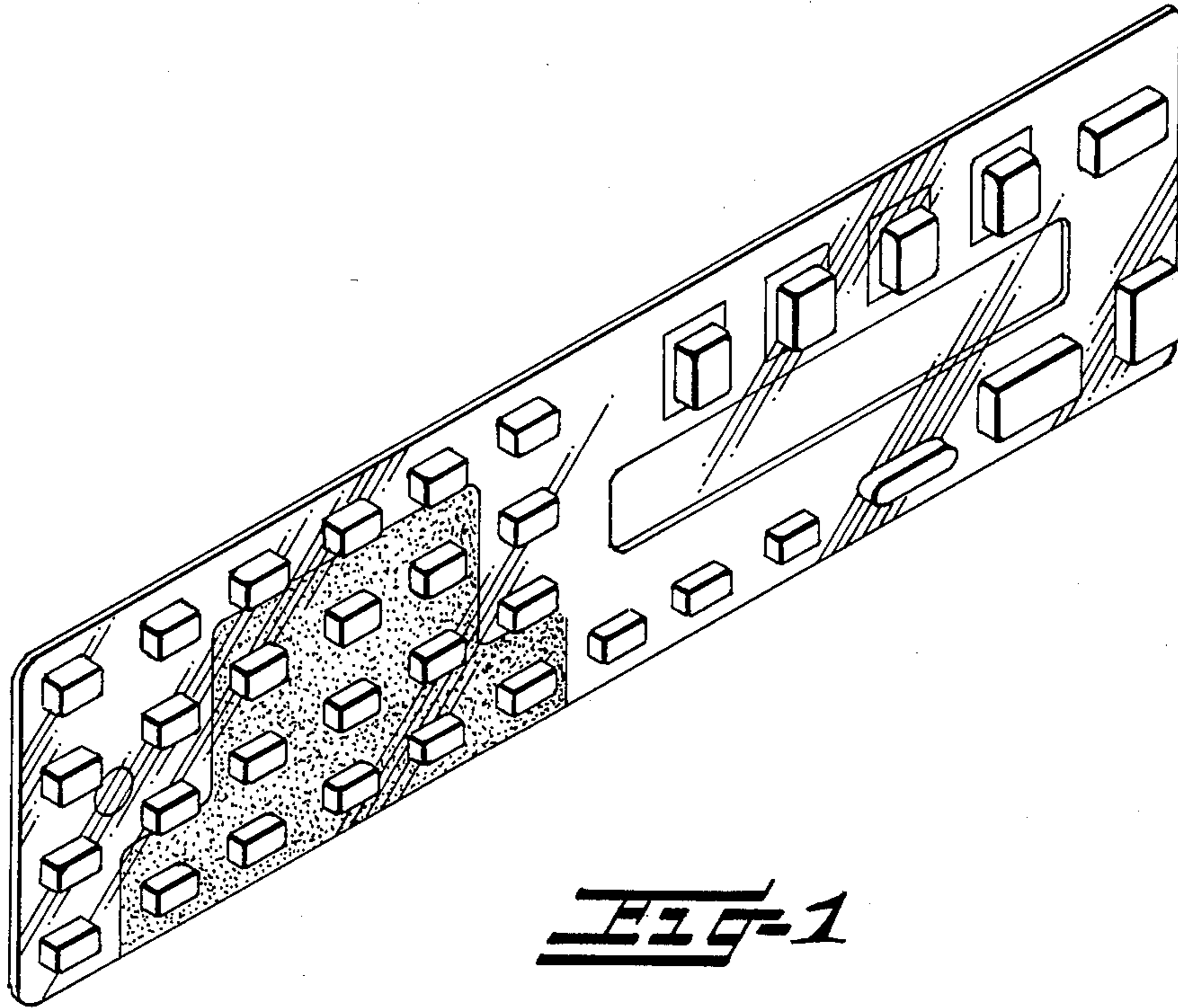
FIG. 5 is a front perspective view of a third embodiment of the design;

FIG. 6 is a front elevational view of this third embodiment;

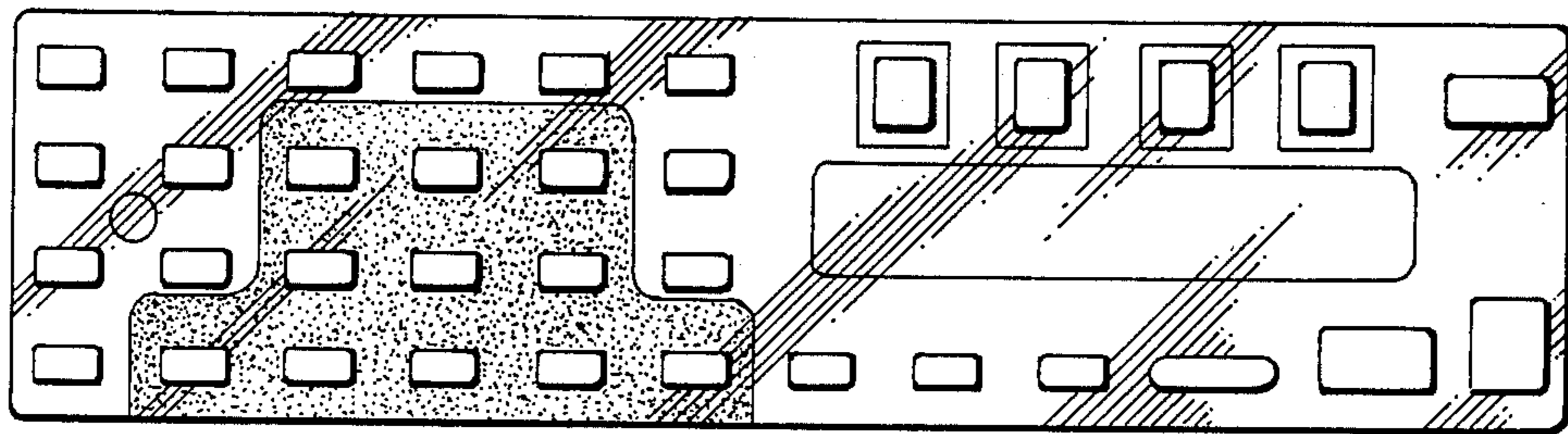
FIG. 7 is a front perspective view of a fourth embodiment of the design; and

FIG. 8 is a front elevational view of this fourth embodiment.





**FIG-1**



**FIG-2**

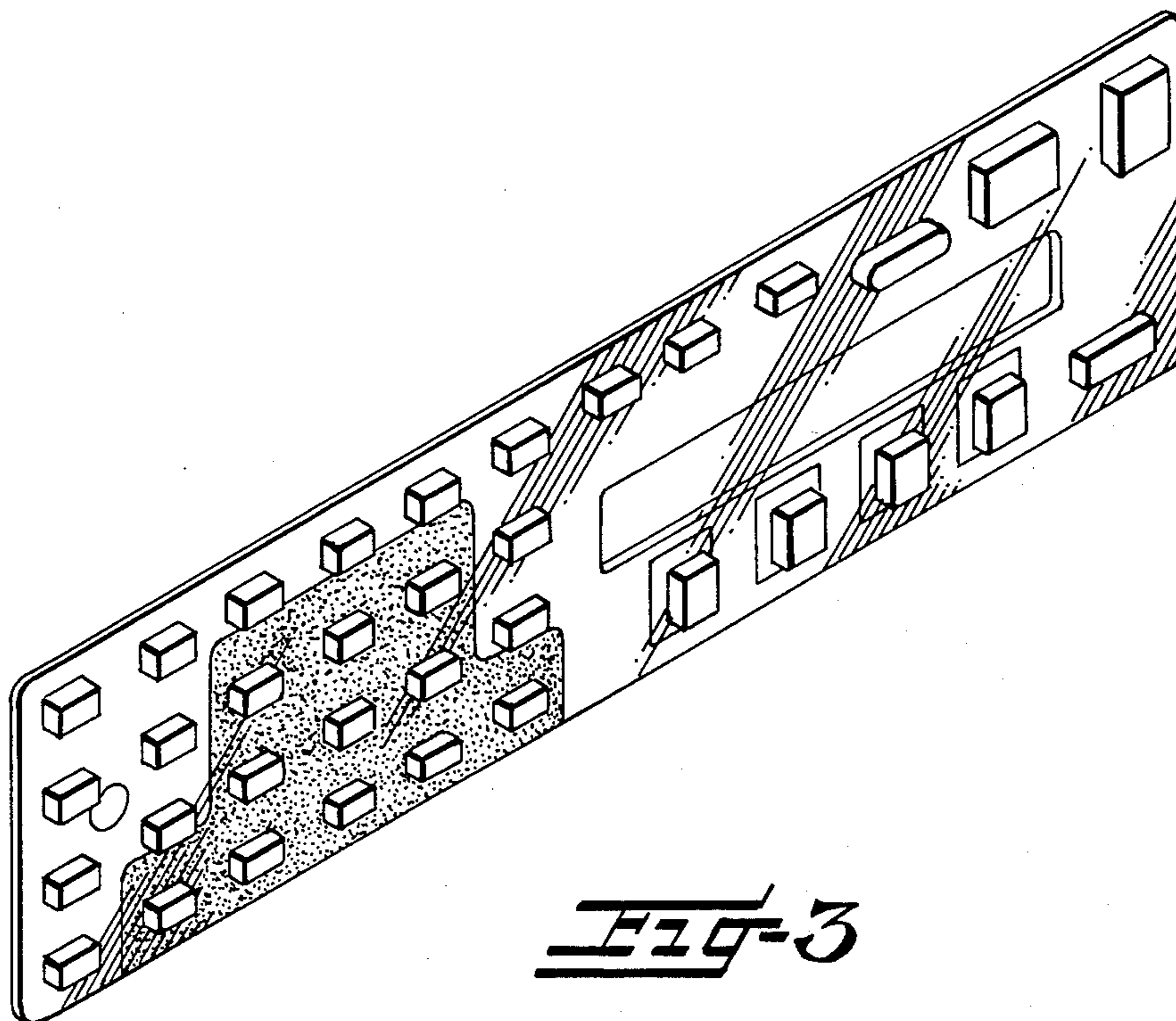


FIG-3

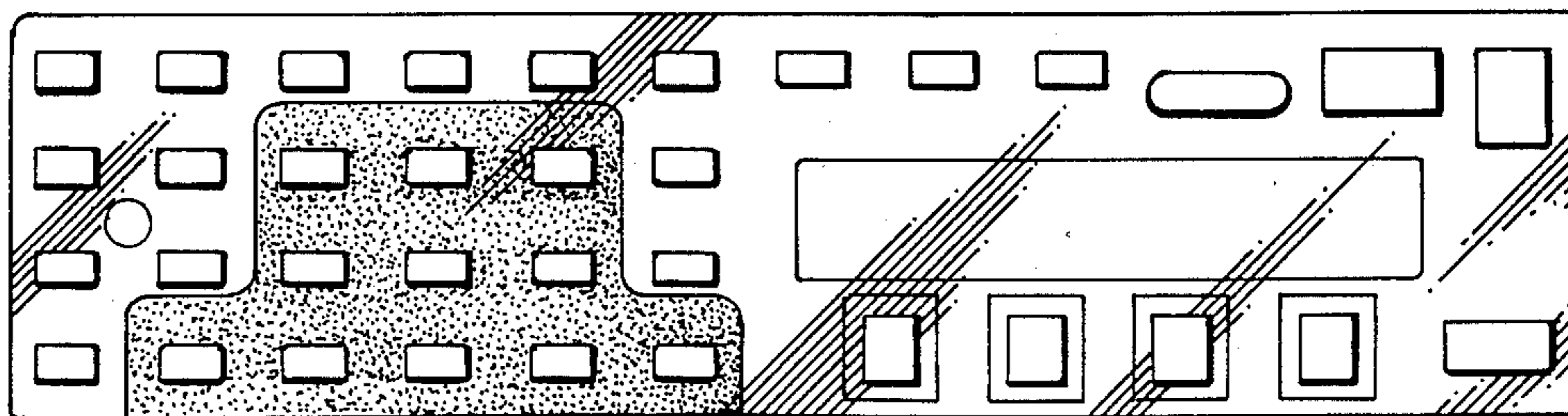


FIG-4

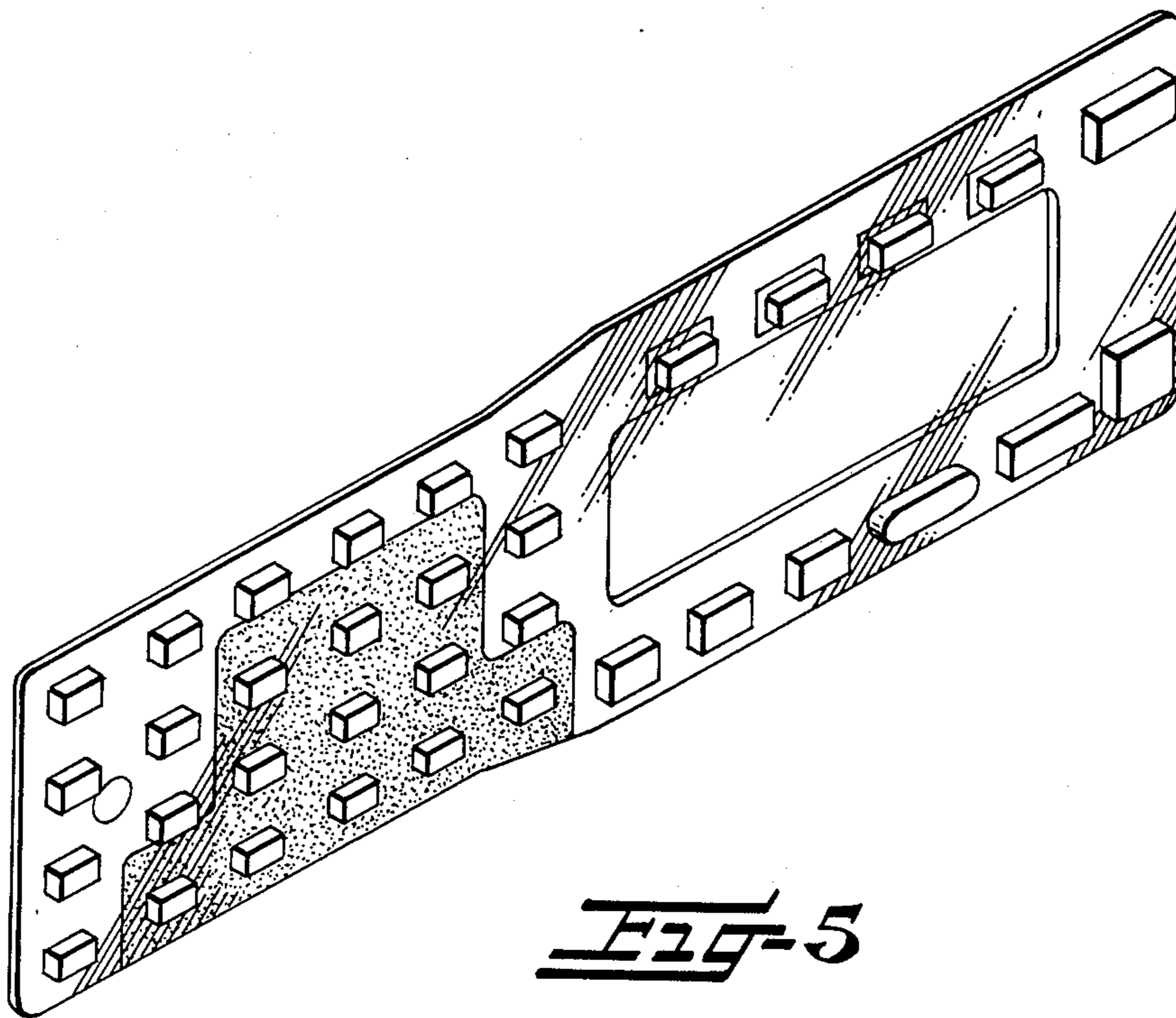


Fig-5

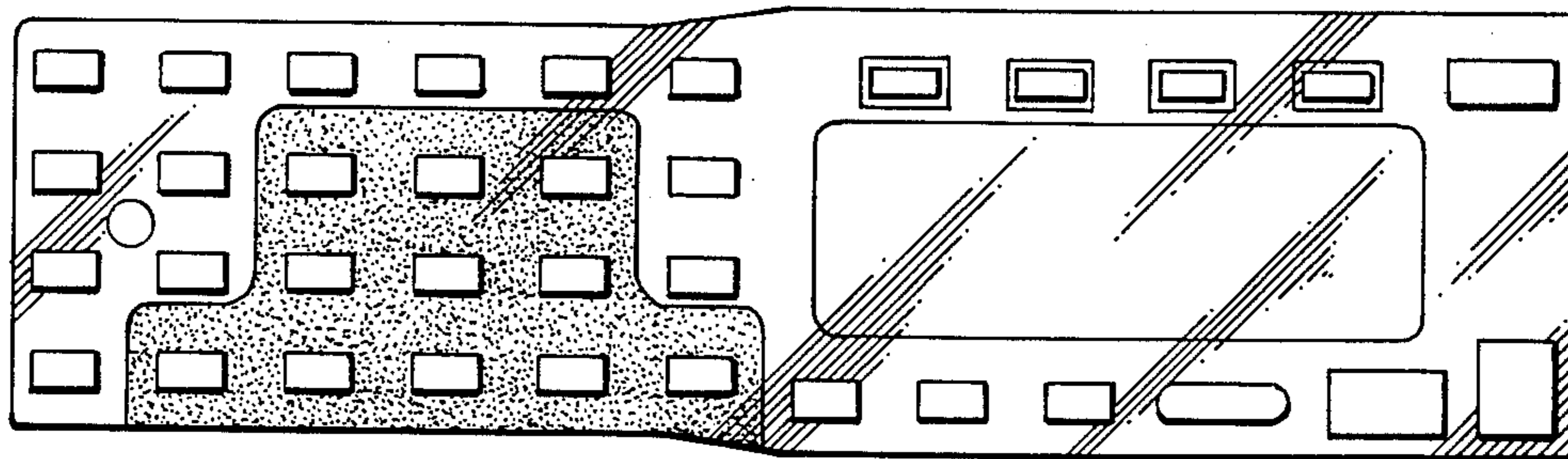


Fig-6

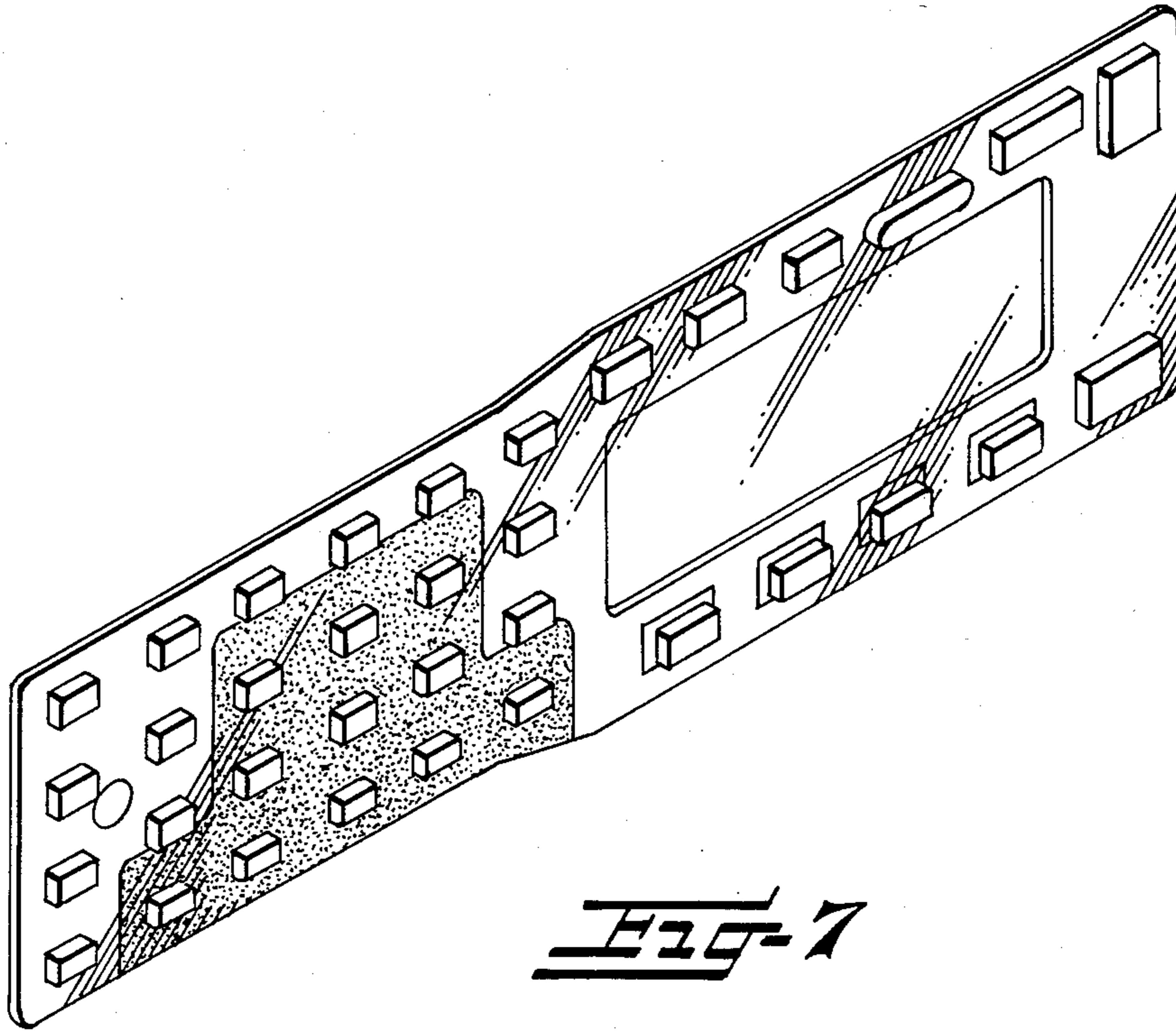


Fig-7

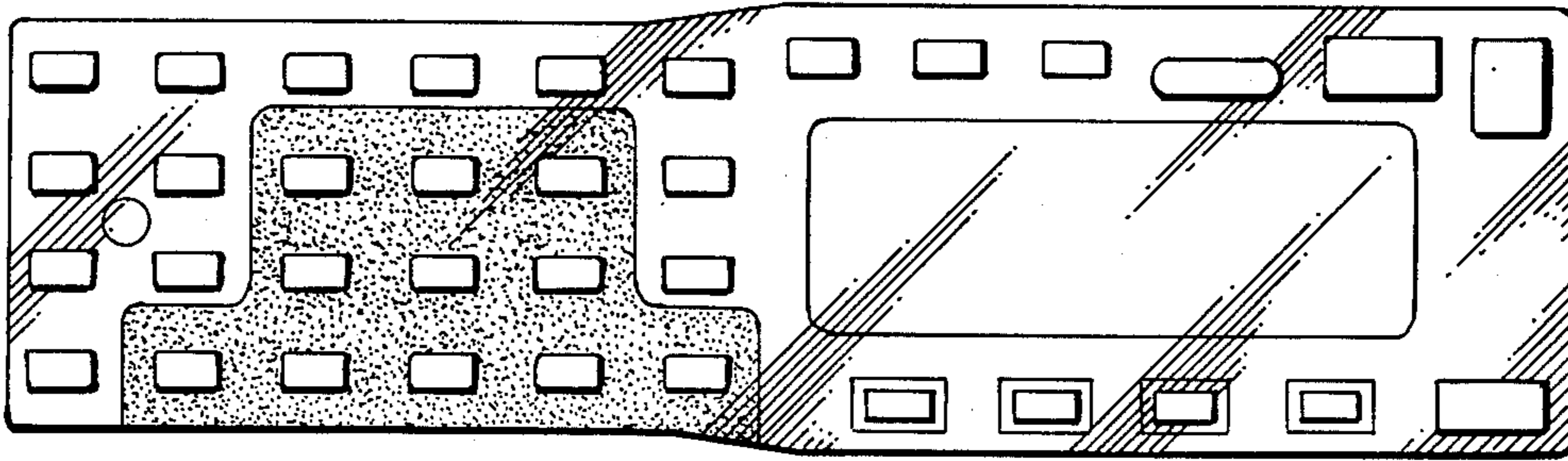


Fig-8