

[54] **BUCKLE OR THE LIKE**  
[75] **Inventor: Alan Kong, Yokohama, Japan**  
[73] **Assignee: Nifco Inc., Yokohama, Japan**  
[\*\*] **Term: 14 Years**  
[21] **Appl. No.: 807,336**  
[22] **Filed: Dec. 10, 1985**

[30] **Foreign Application Priority Data**  
Jun. 18, 1985 [JP] Japan ..... 60-25451  
[52] **U.S. Cl. .... D11/216**  
[58] **Field of Search ..... D11/200, 201, 208, 216;**  
**24/163 R, 163 K, 170, 307-314, 323, 616, 618,**  
**644, 650, 651**

[56] **References Cited**  
**U.S. PATENT DOCUMENTS**  
D. 274,862 7/1984 Fildan ..... D11/208  
D. 276,477 11/1984 Kanzaka ..... D11/216  
D. 292,192 10/1987 Kasai ..... D11/216

**FOREIGN PATENT DOCUMENTS**  
2226129 11/1974 France ..... 24/616

*Primary Examiner*—Louis S. Zarfaz  
*Attorney, Agent, or Firm*—Trexler, Bushnell, Giangiorgi  
& Blackstone, Ltd.

[57] **CLAIM**  
The ornamental design for a buckle or the like, as shown and described.

**DESCRIPTION**  
FIG. 1 is a front elevational view of a buckle or the like, showing my new design;  
FIG. 2 is a top plan view thereof;  
FIG. 3 is a right side elevational view thereof;  
FIG. 4 is a left side elevational view thereof;  
FIG. 5 is a cross sectional view thereof taken along line V—V in FIG. 3;  
FIG. 6 is a perspective view on a reduced scale of the buckle in use;  
FIG. 7 is a top plan view of a male member as part thereof;  
FIG. 8 is a left side elevational view of the male member;  
FIG. 9 is a front elevational view of the male member;  
FIG. 10 is a top plan view of a female member as part thereof;  
FIG. 11 is a front elevational view of the female member; and  
FIG. 12 is a right side elevational view of the female member.  
The broken line showing of a belt in FIG. 6 is for illustrative purposes only and forms no part of the claim designed.

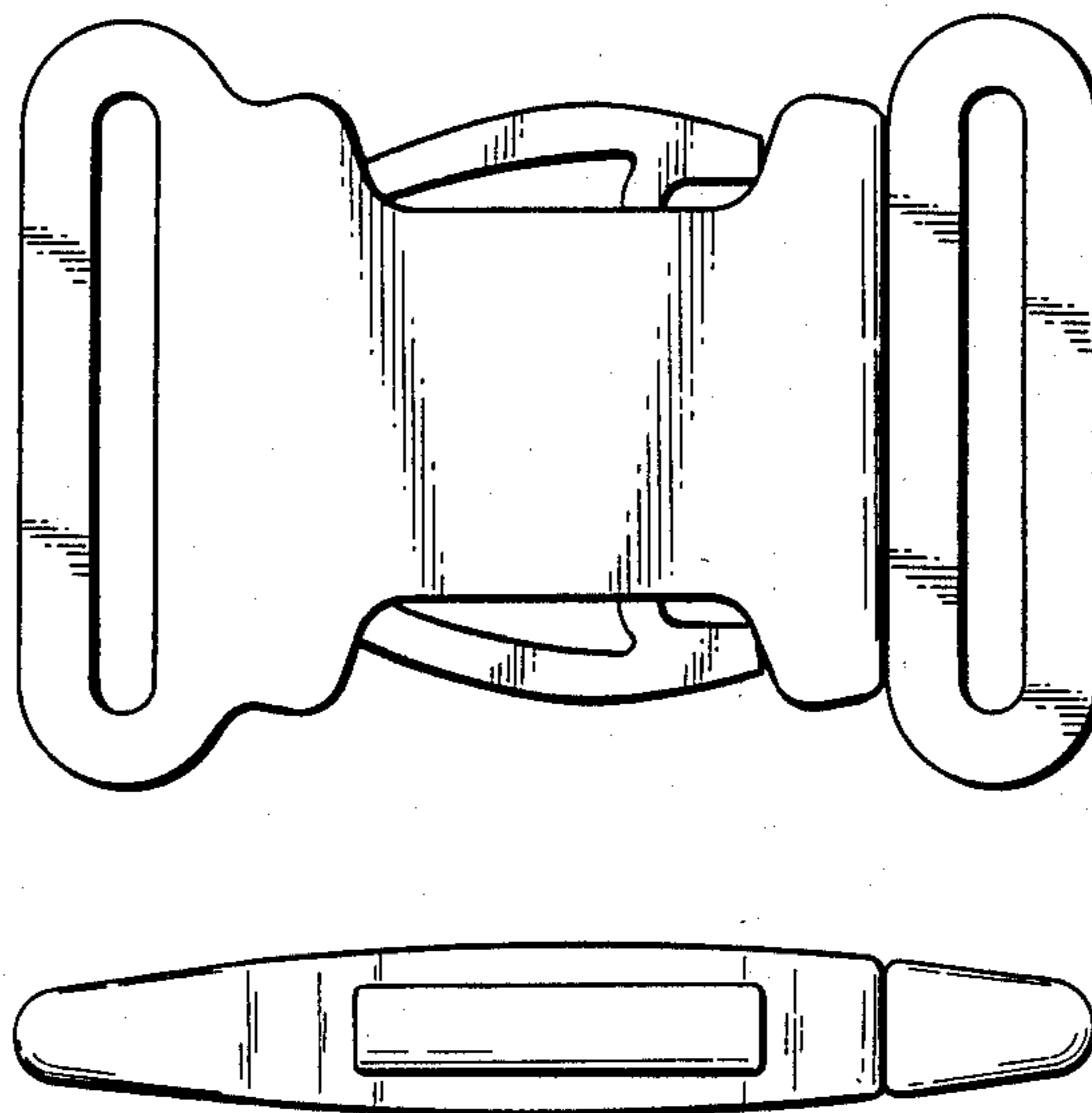


FIG. 1

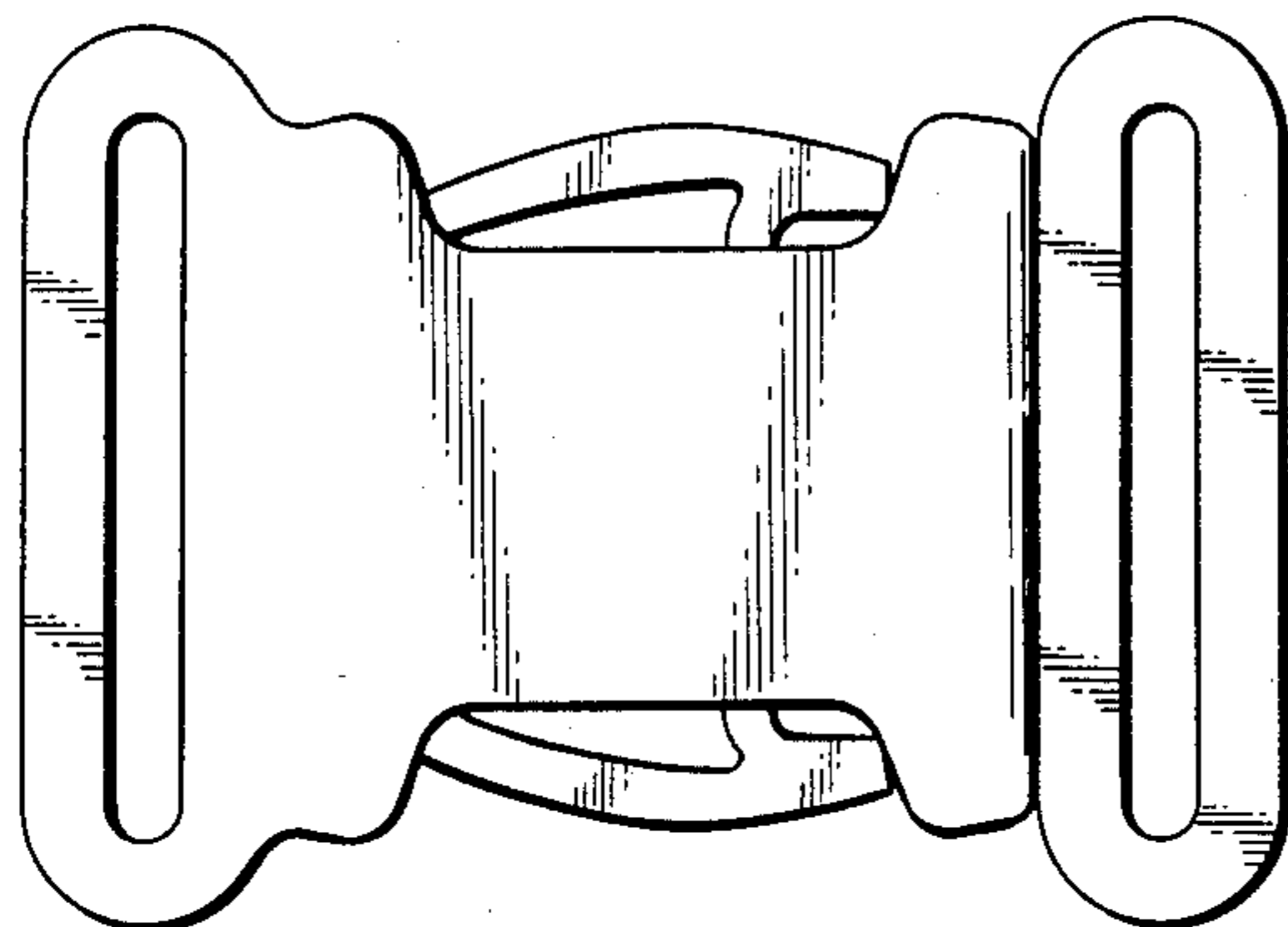


FIG. 2

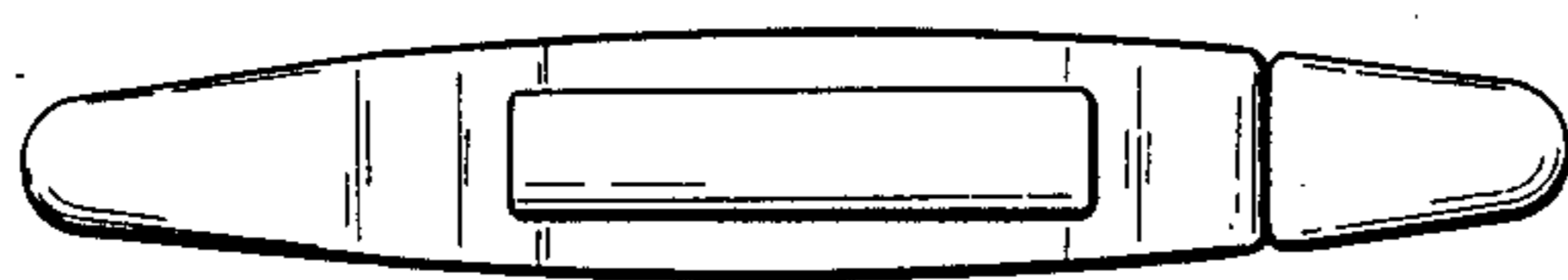


FIG. 5

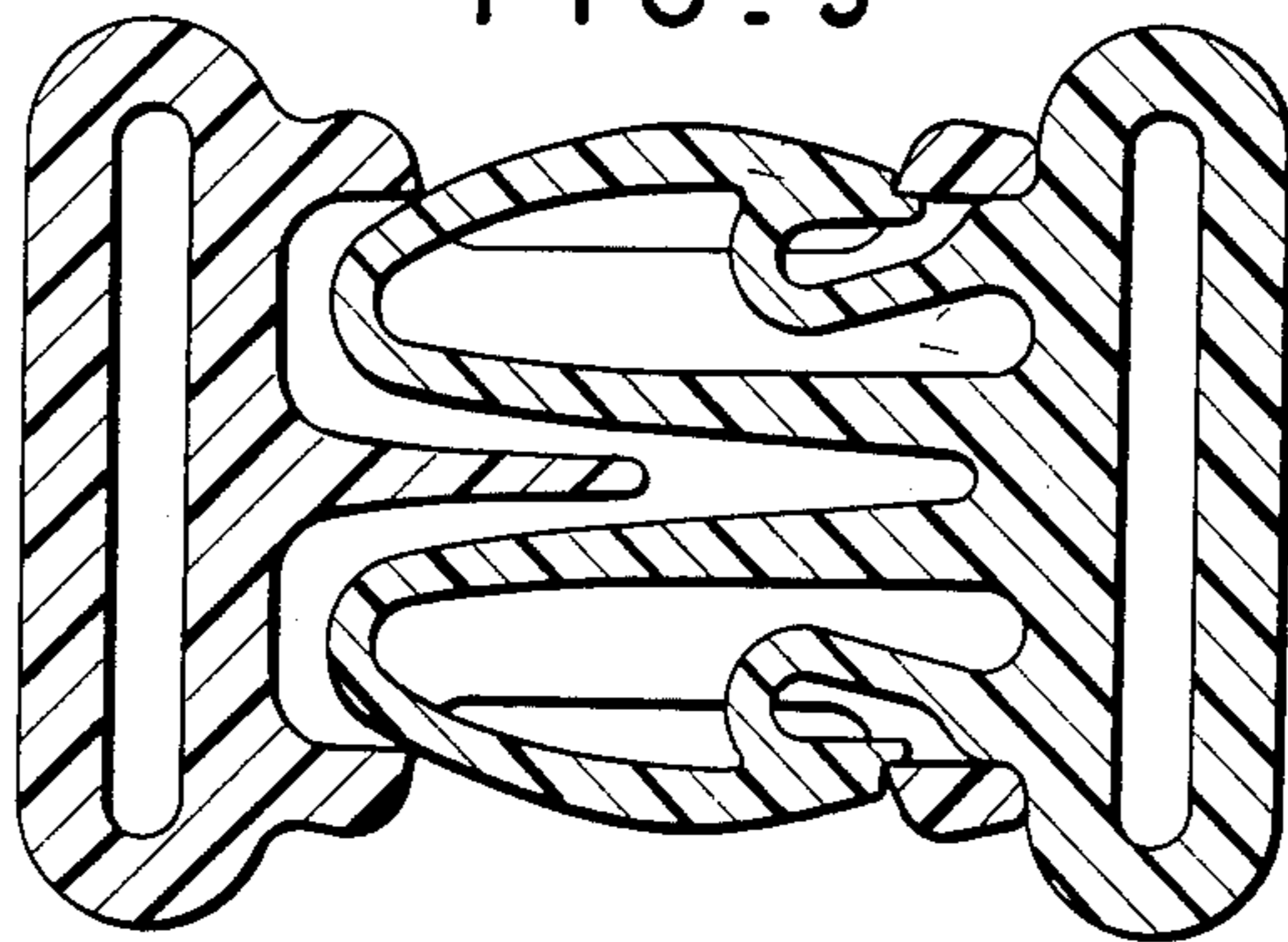
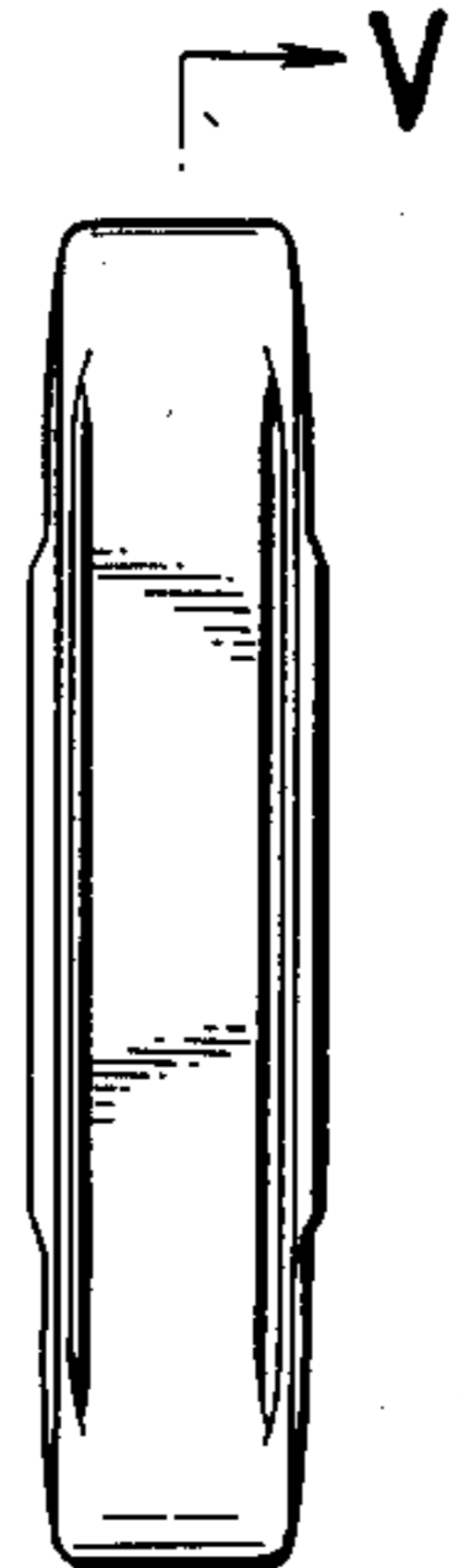


FIG. 3



V

FIG. 4

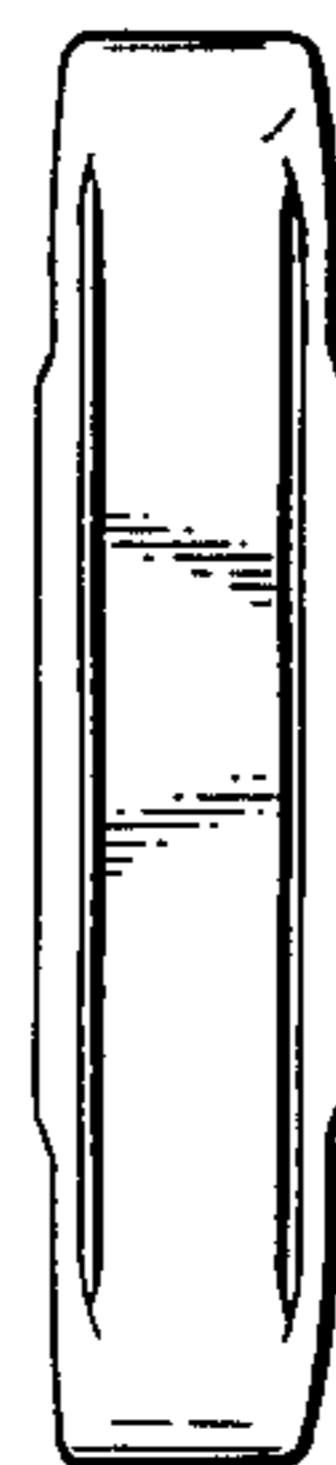


FIG. 6

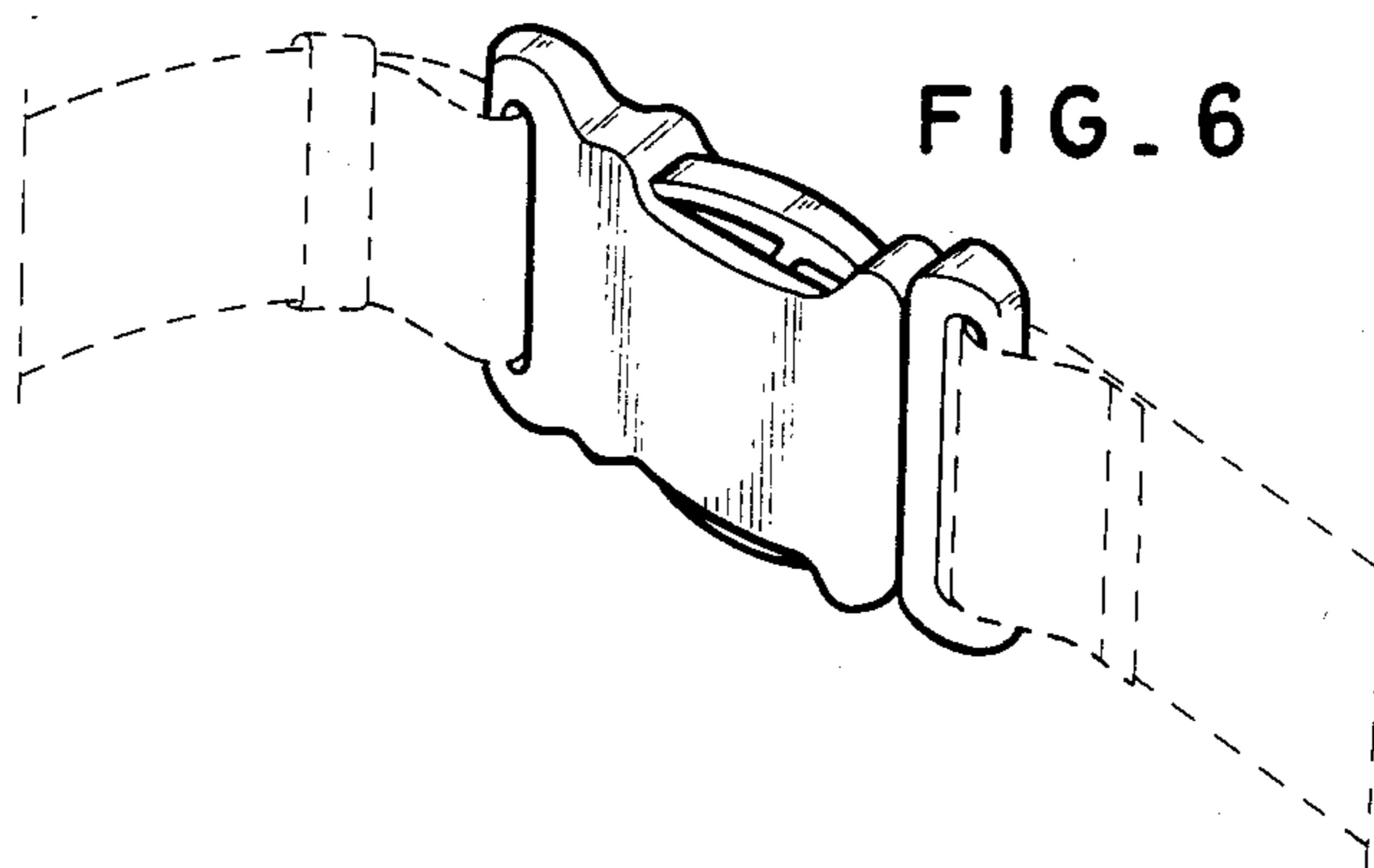


FIG. 7

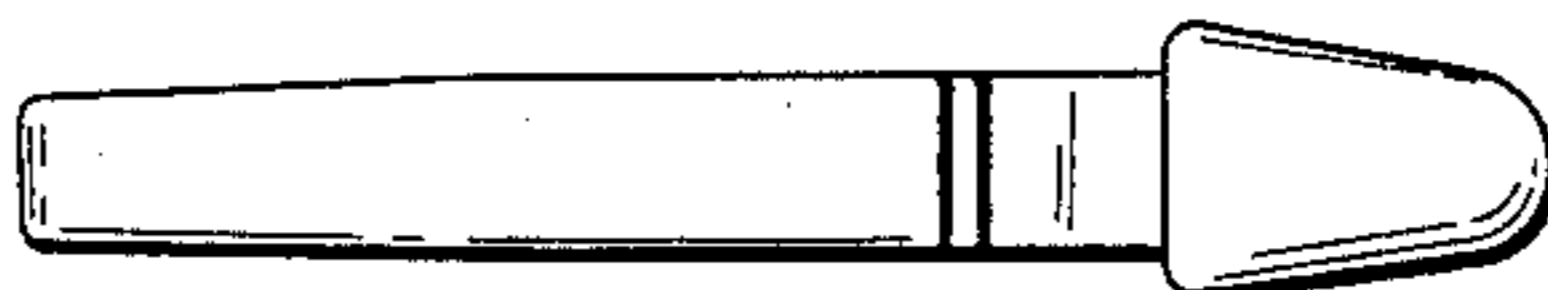


FIG. 8



FIG. 9

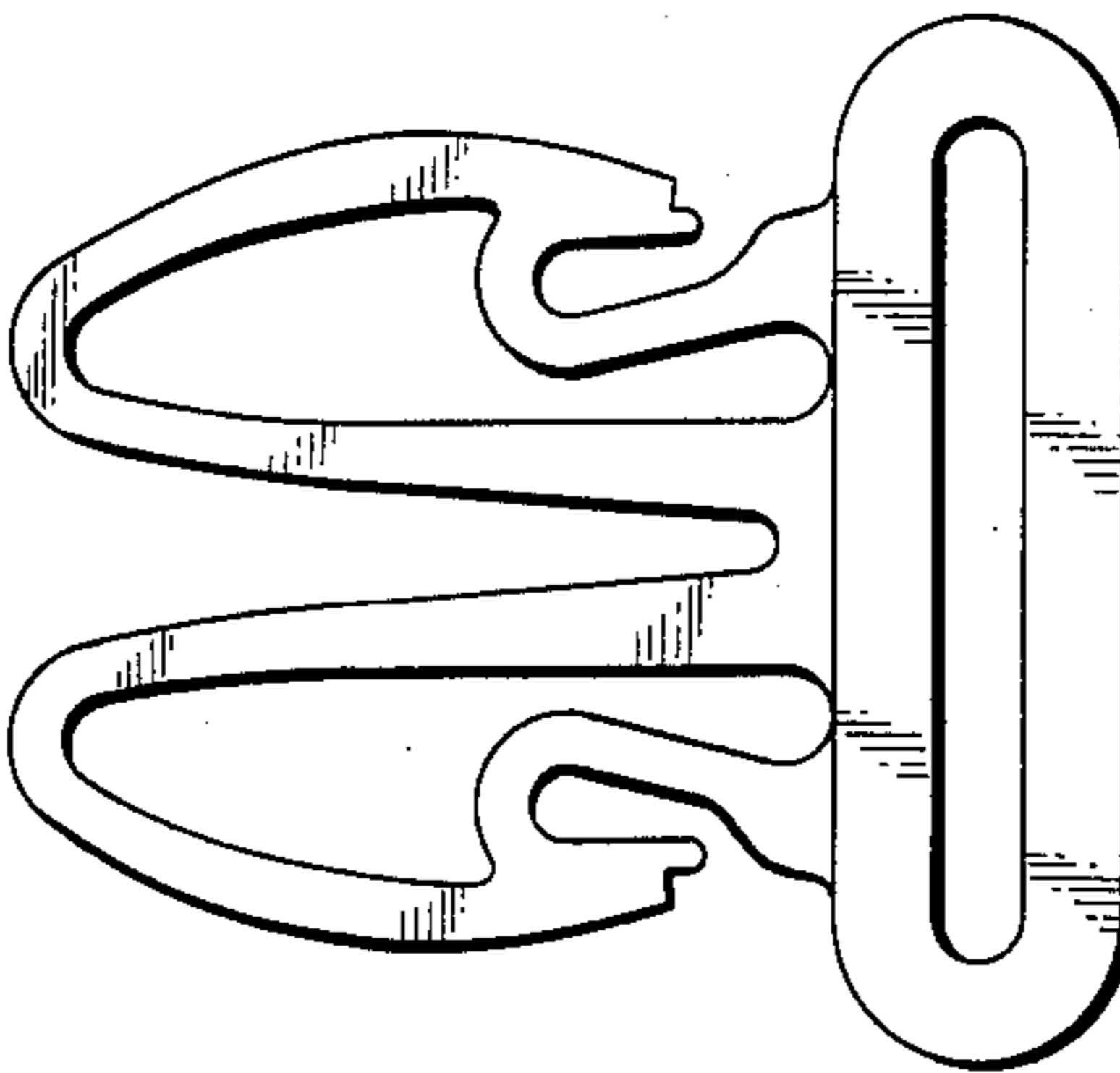


FIG. 10



FIG. 11

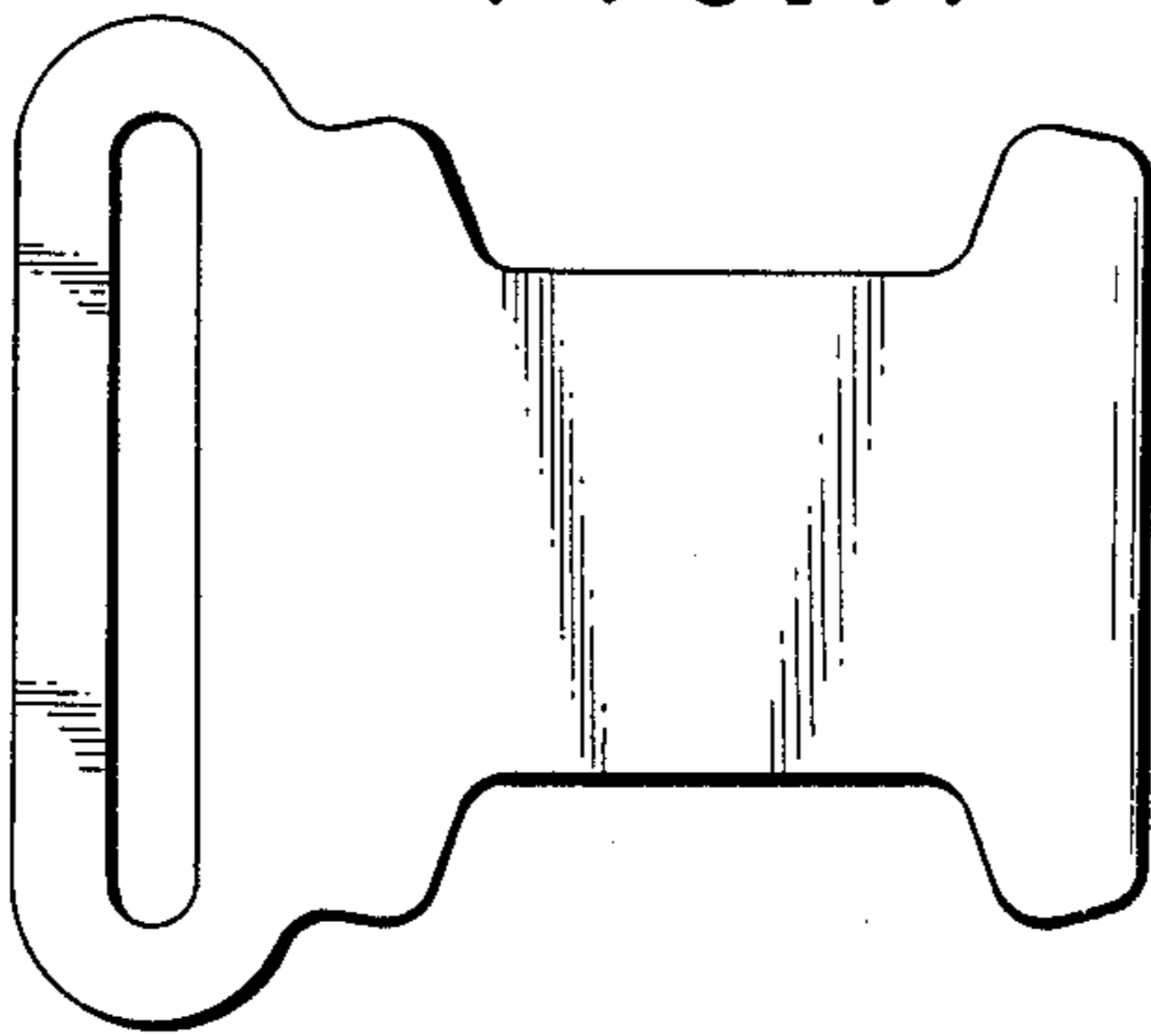


FIG. 12

