

[54] **WRISTWATCH**

[76] **Inventor: Martin Thalgott, 2160 Leavenworth, #302, San Francisco, Calif. 94133**

[**] **Term: 14 Years**

[21] **Appl. No.: 818,493**

[22] **Filed: Jan. 13, 1986**

[52] **U.S. Cl. D10/39**

[58] **Field of Search D10/30-39, D10/21; 368/276, 277, 280-282, 285**

[56] **References Cited**

U.S. PATENT DOCUMENTS

- D. 184,270 1/1959 Winkler D10/38
- D. 245,231 8/1977 Kleiner D10/32

OTHER PUBLICATIONS

European Jeweler-1/85-p. 147-watch (#4) at top-right.

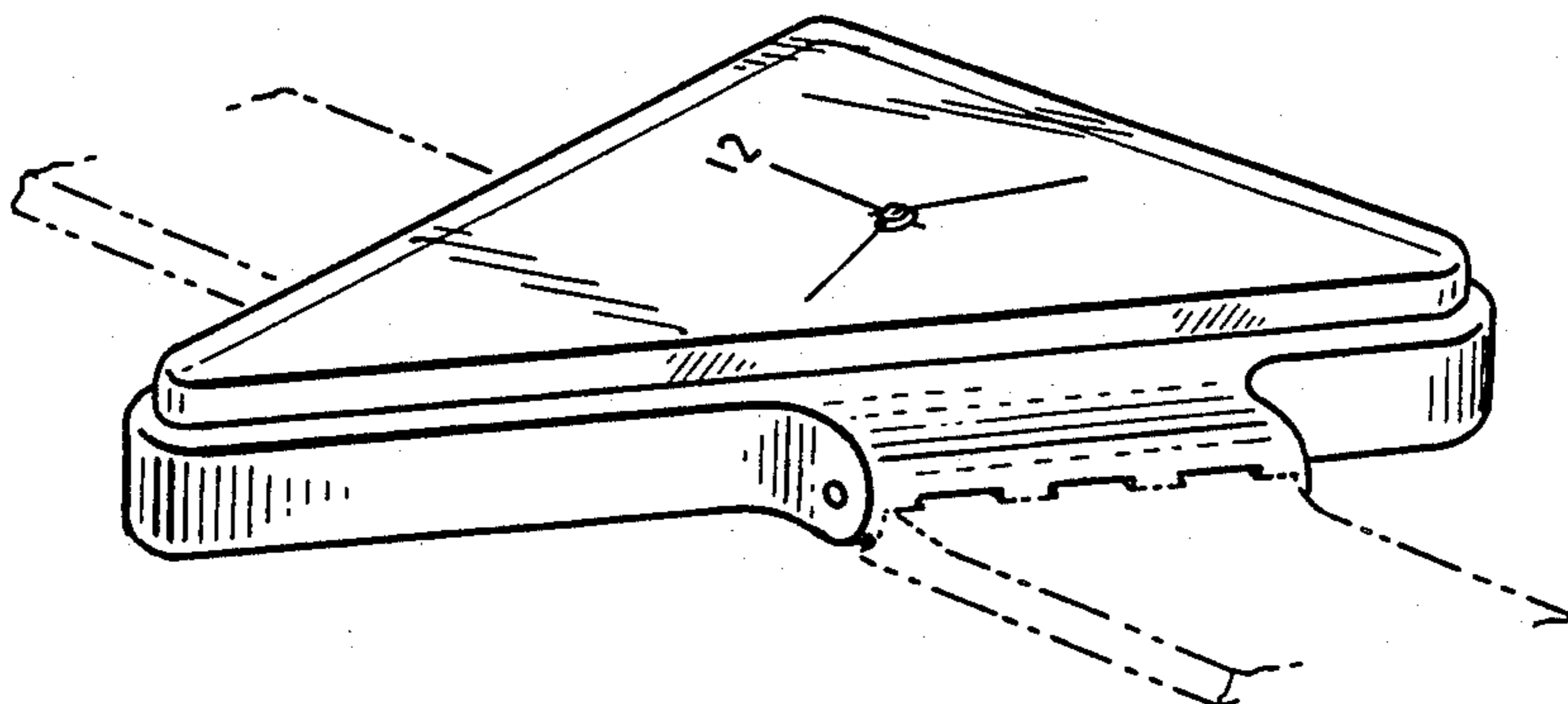
Primary Examiner—Nelson C. Holtje
Attorney, Agent, or Firm—Limbach, Limbach & Sutton

[57] **CLAIM**

The ornamental design for a wristwatch, as shown and described.

DESCRIPTION

FIG. 1 is a top and left front perspective view of a wristwatch showing my new design;
FIG. 2 is a top plan view thereof;
FIG. 3 is a bottom plan view thereof;
FIG. 4 is a left side elevational view thereof;
FIG. 5 is a front elevational view thereof;
FIG. 6 is a right side elevational view thereof;
FIG. 7 is a rear elevational view thereof;
The broken line showings of wristband ends are environmental only and form no part of the claimed design.



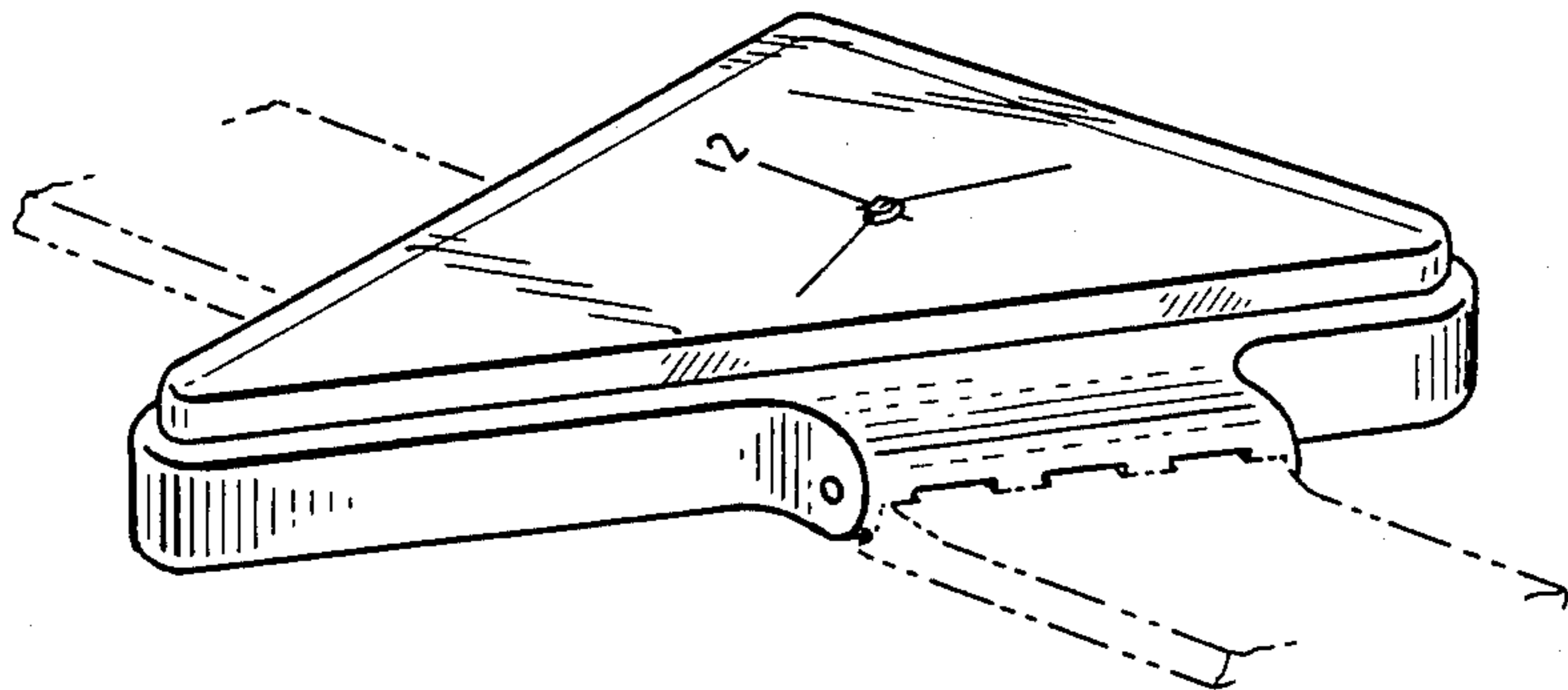


FIG. 1.

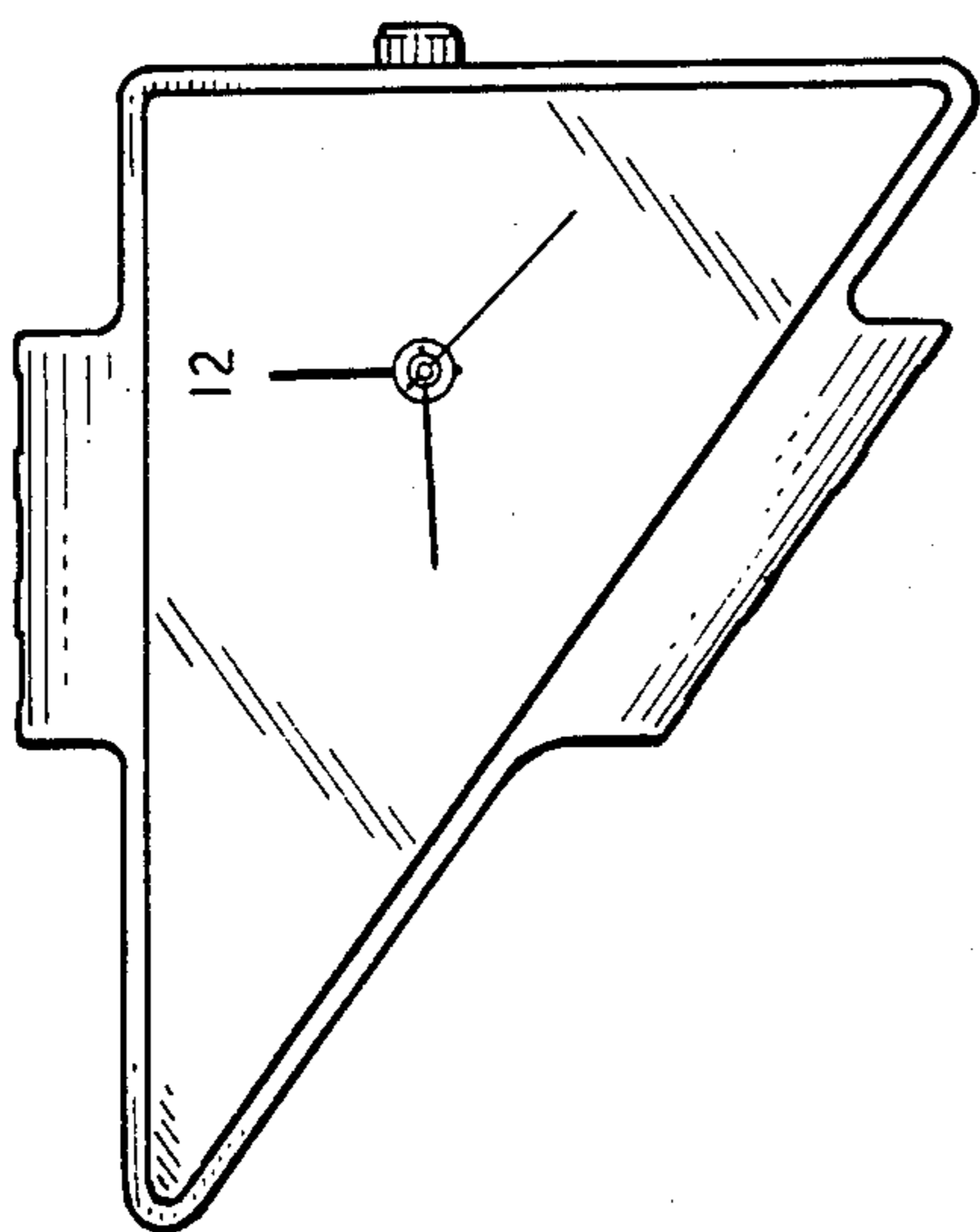


FIG. 2.

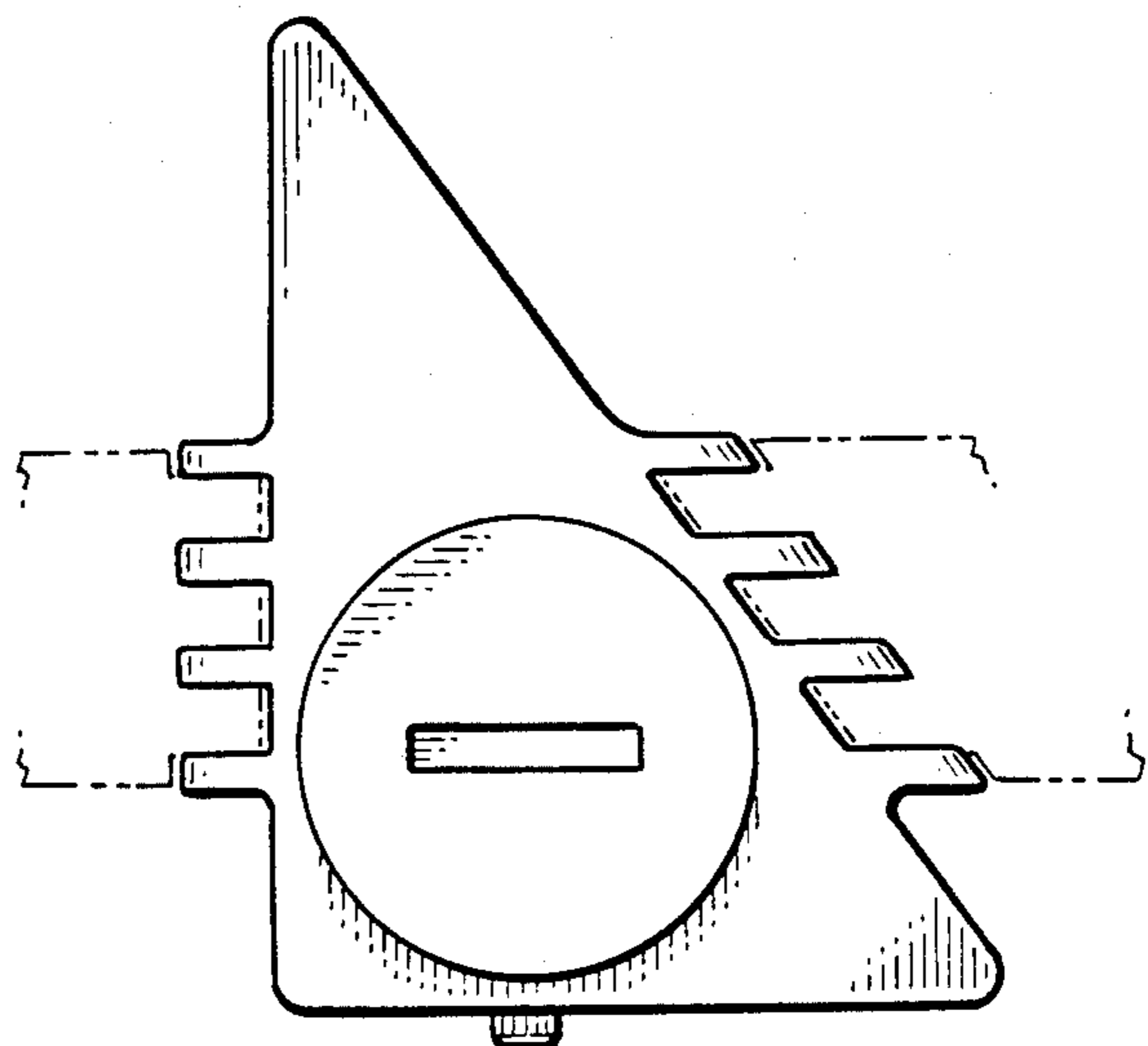


FIG. 3.

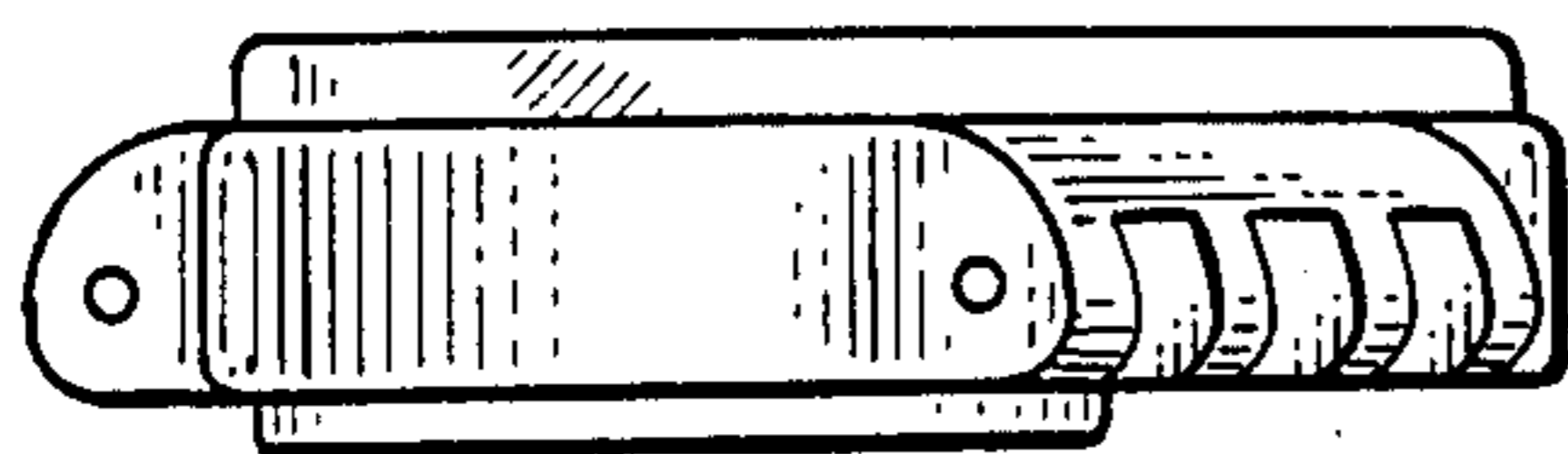


FIG. 4.



FIG. 5.

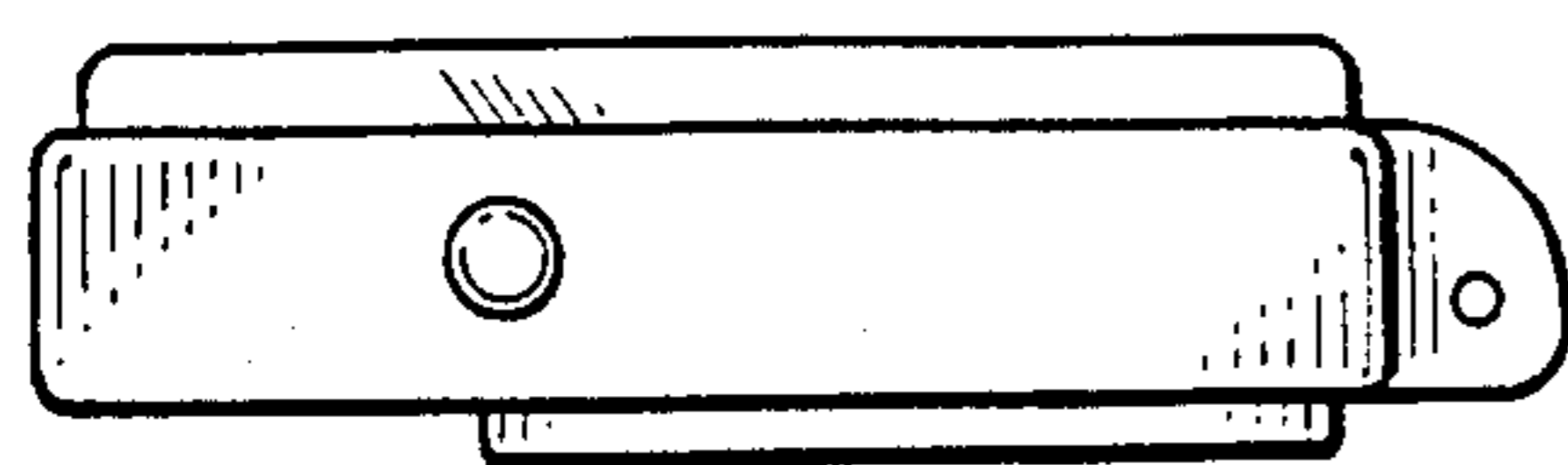


FIG. 6.

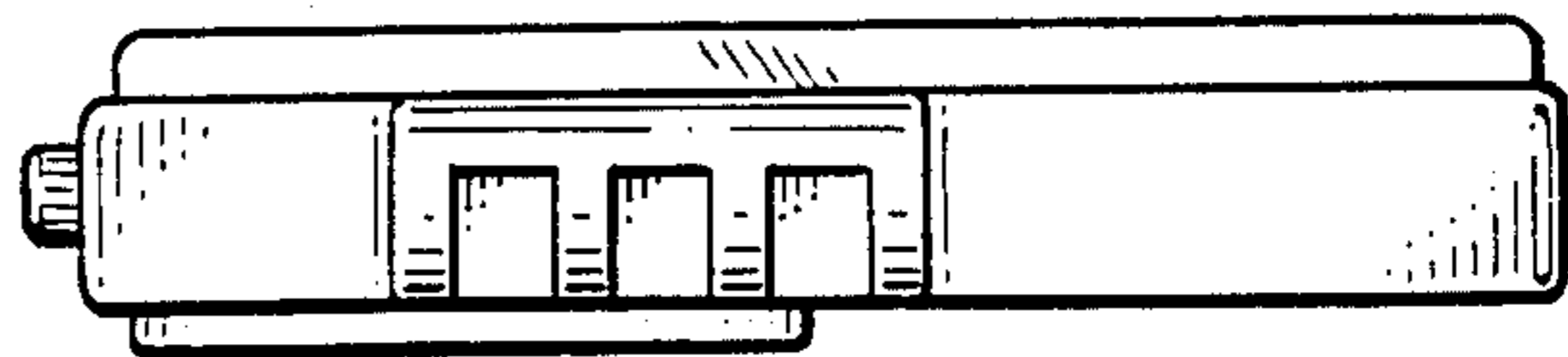


FIG. 7.