

[54] PACKAGING CONTAINER

[75] Inventor: Paul G. Feuerstein, Prospect Park, Pa.

[73] Assignee: Scott Paper Company, Philadelphia, Pa.

[**] Term: 14 Years

[21] Appl. No.: 765,291

[22] Filed: Aug. 13, 1985

[52] U.S. Cl. D9/416; D9/418

[58] Field of Search D9/418, 432, 416; 206/45-31; 229/100, 162, 6 R

[56] References Cited

U.S. PATENT DOCUMENTS

D. 47,574	7/1915	Warren	D9/418
D. 86,129	2/1932	Levkoff	D9/418
D. 219,135	11/1970	Horblitt	D9/418
D. 229,300	11/1973	Carney	D9/418
D. 235,514	6/1975	Hackenberg	D9/418

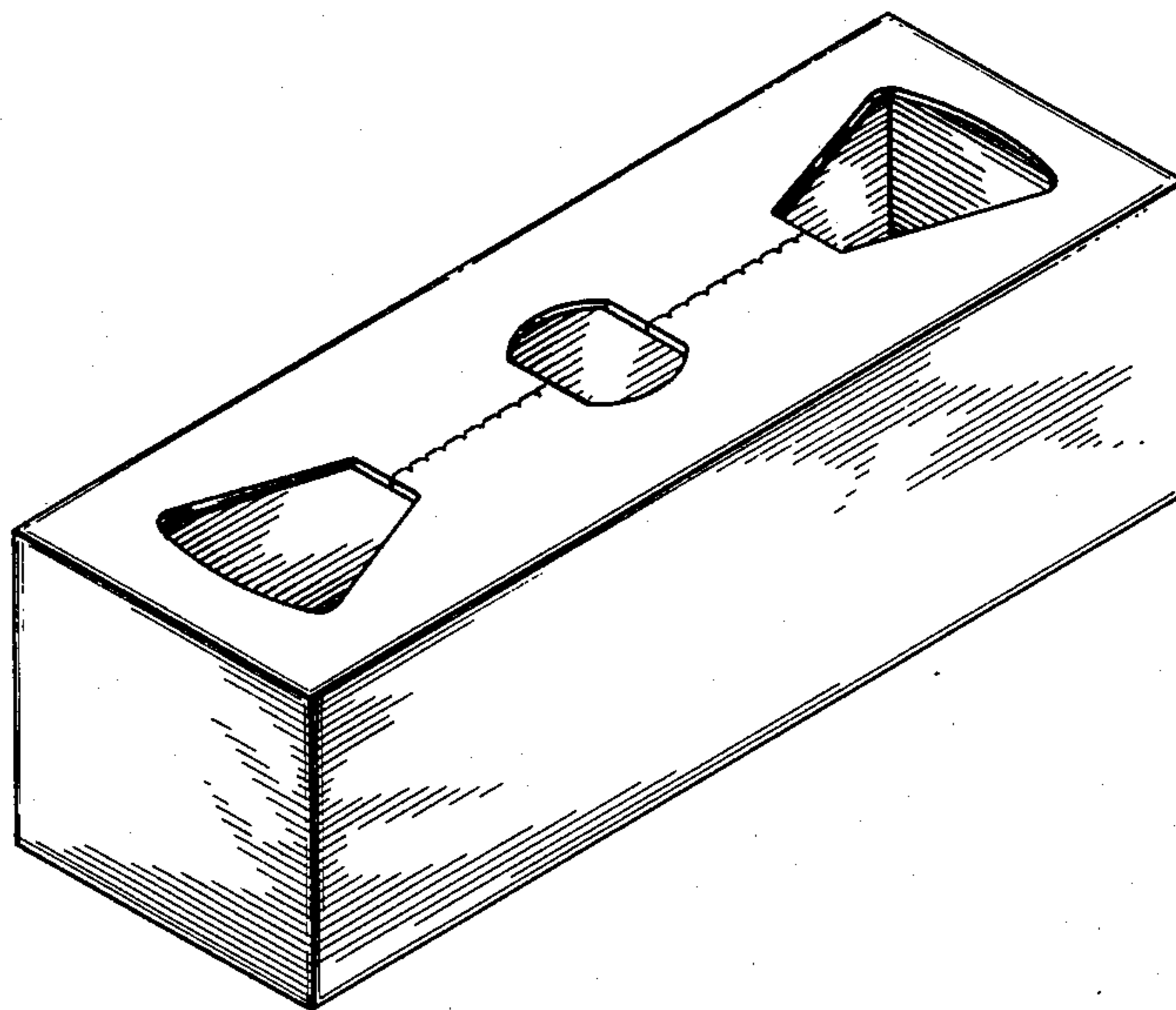
Primary Examiner—Robert C. Spangler
Attorney, Agent, or Firm—Nicholas DeBenedictis; John W. Kane, Jr.

[57] CLAIM

The ornamental design for a packaging container, as shown and described.

DESCRIPTION

FIG. 1 is a perspective view of a packaging container showing my new design;
FIG. 2 is a top plan view;
FIG. 3 is a front elevational view, the rear being the same;
FIG. 4 is a bottom plan view;
FIG. 5 is an end elevational view, the opposite end being the same; and
FIG. 6 is a perspective view of the top panel of an alternate embodiment of my new design, the remaining portions of the container being the same as the container of FIGS. 1-5 and being omitted for convenience of illustration.



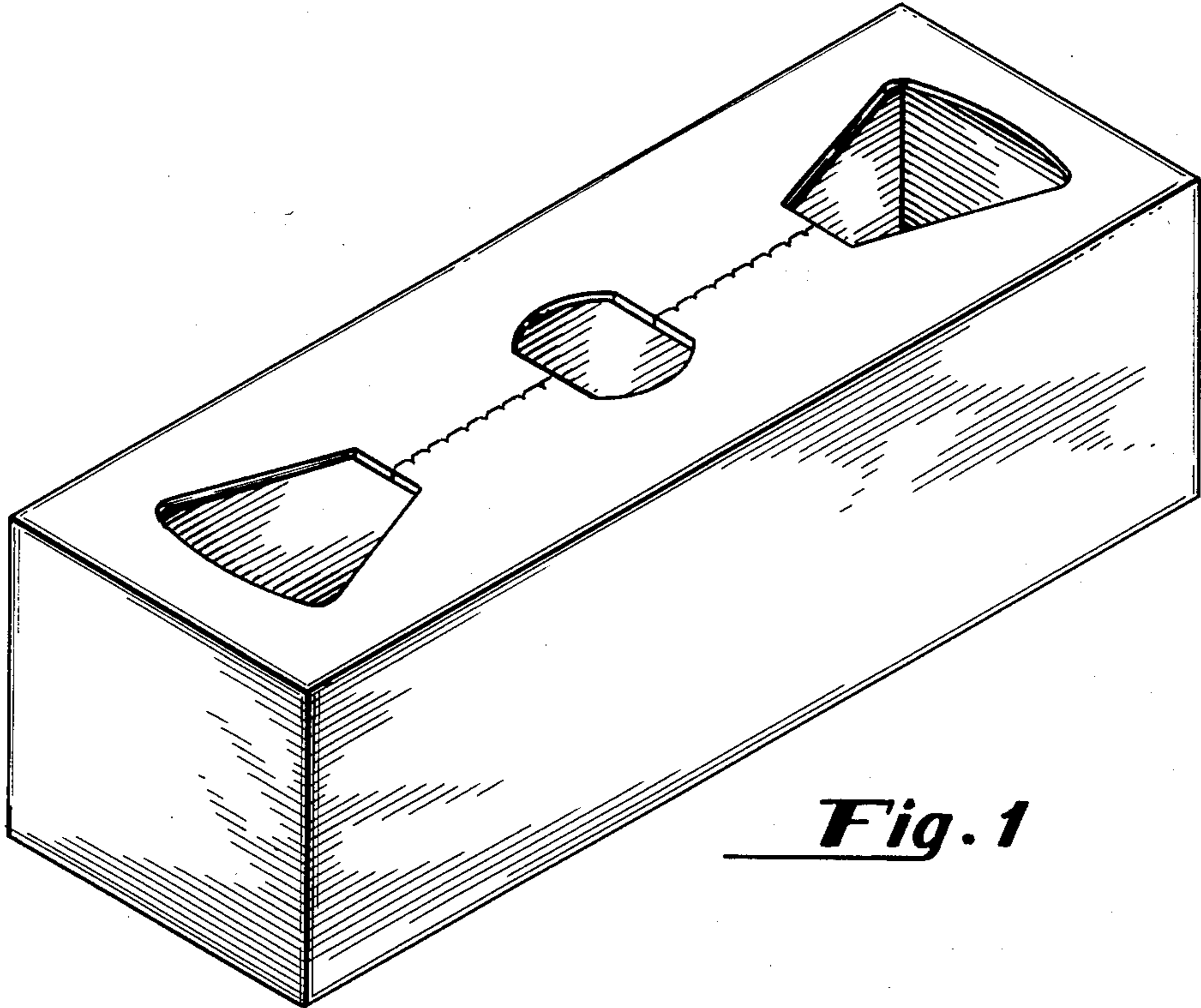


Fig. 1

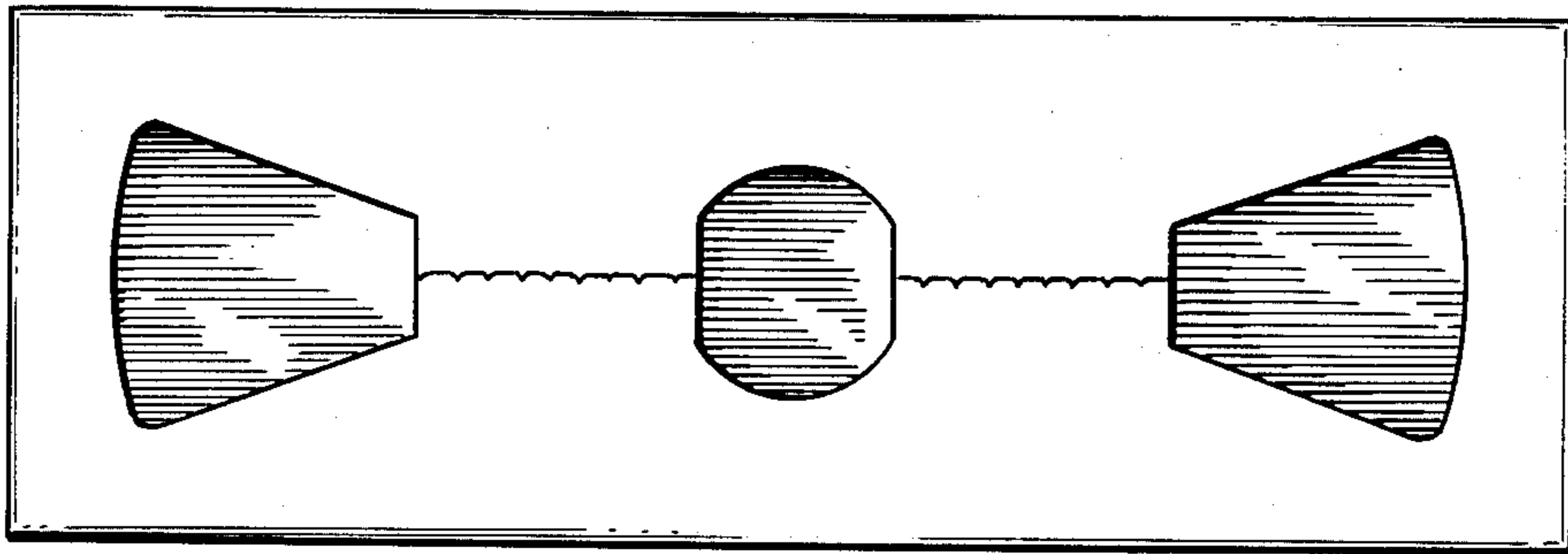


Fig. 2

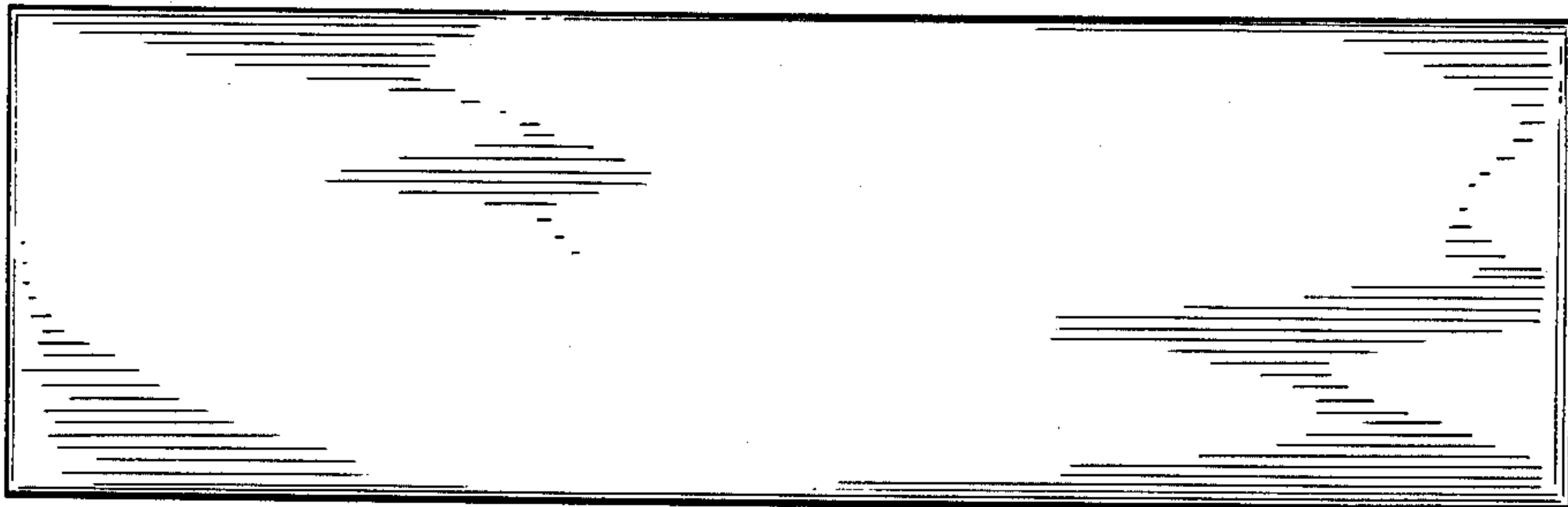


Fig. 3

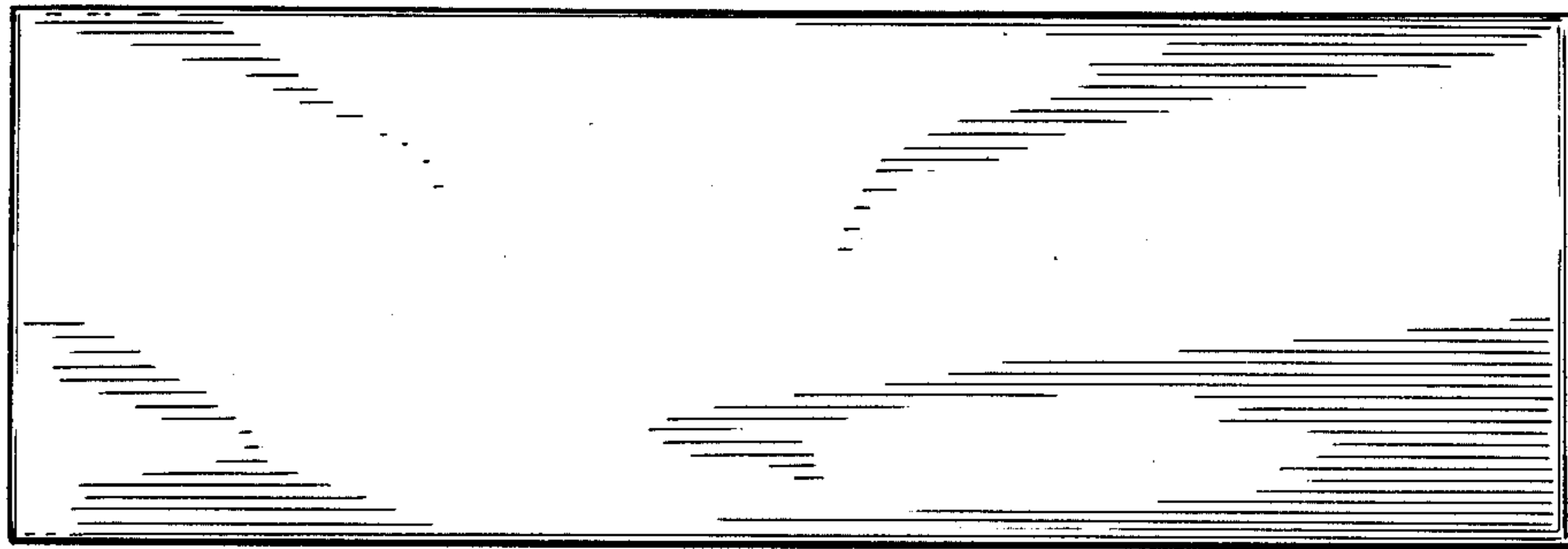


Fig. 4

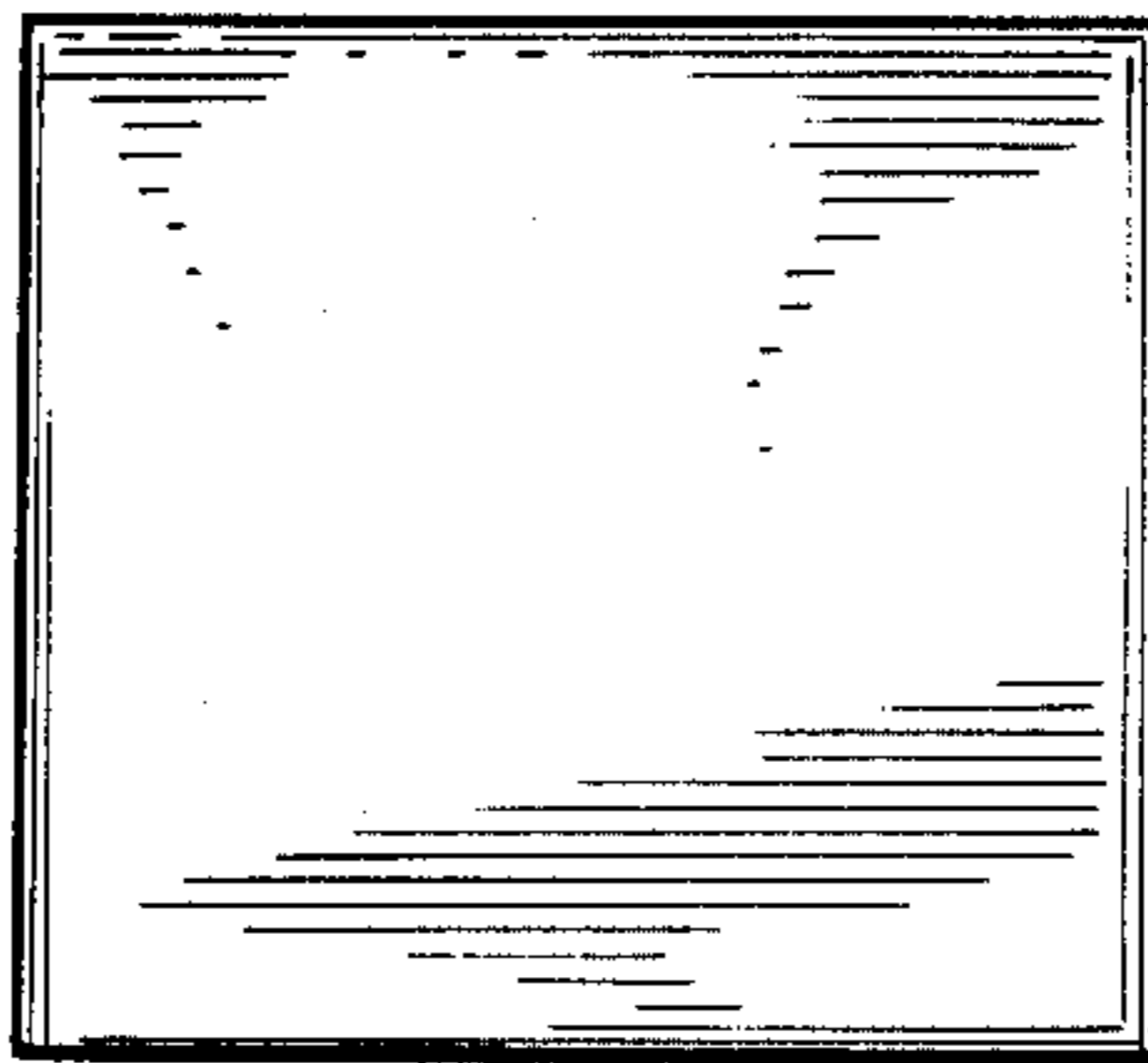


Fig. 5

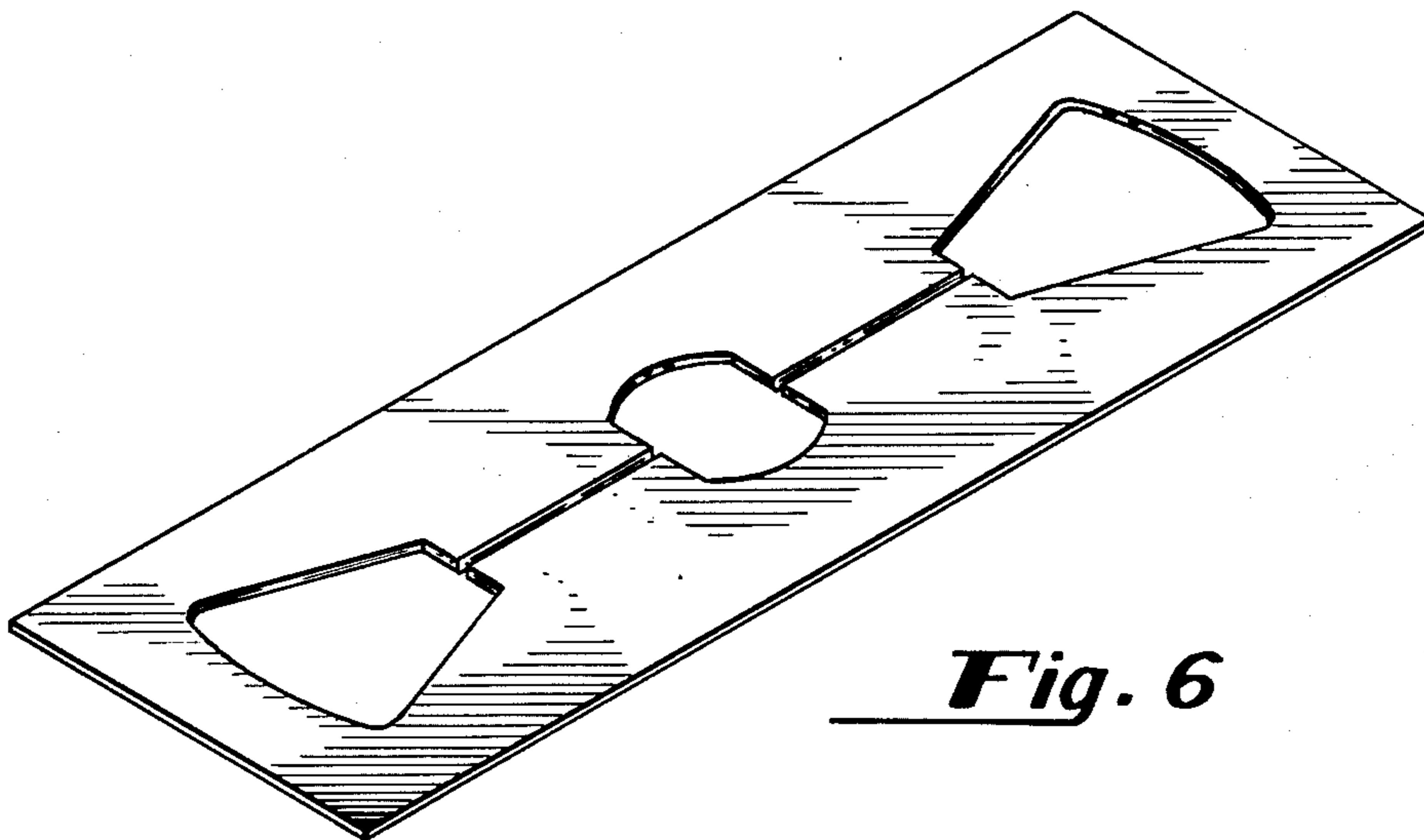


Fig. 6