

[54] "C" CLAMP

[76] Inventor: Richard D. Williams, 28 S. 13th St., Vincennes, Ind. 47591

[\*\*] Term: 14 Years

[21] Appl. No.: 725,994

[22] Filed: Apr. 22, 1985

[52] U.S. Cl. .... D8/73

[58] Field of Search ..... D8/71-74; 269/95, 181, 240, 246-253, 102, 266

[56] References Cited

U.S. PATENT DOCUMENTS

- D. 271,939 12/1983 Little ..... D8/73
- D. 278,308 4/1985 Garvis ..... D8/73
- 3,914,830 10/1975 Bolton ..... D8/73 X

3,997,152 12/1976 Sass et al. .... 269/249

Primary Examiner—Catherine E. Kemper  
Attorney, Agent, or Firm—Woodard, Emhardt, Naughton, Moriarty & McNett

[57] CLAIM

The ornamental design for a C-clamp, as shown and described.

DESCRIPTION

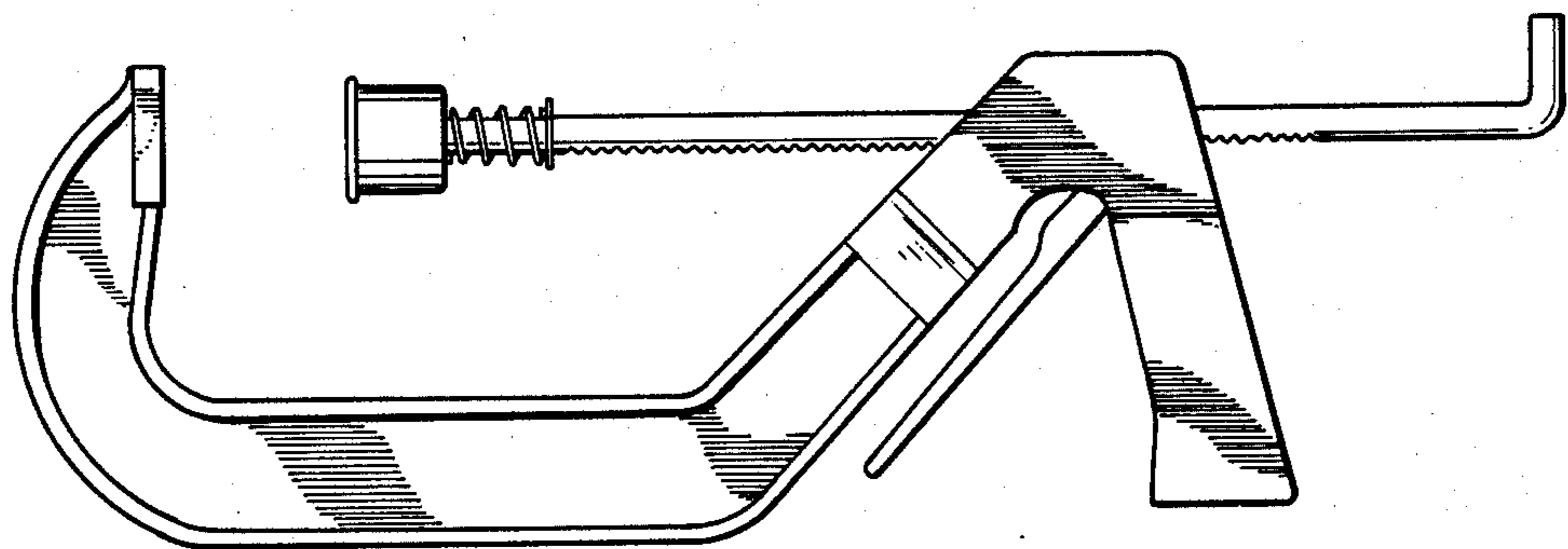
FIG. 1 is a front elevational view of a C-clamp, showing my new design, the rear view being a mirror image thereof;

FIG. 2 is a right side elevational view thereof;

FIG. 3 is a left side elevational view thereof;

FIG. 4 is a top plan view thereof;

FIG. 5 is a bottom plan view thereof.



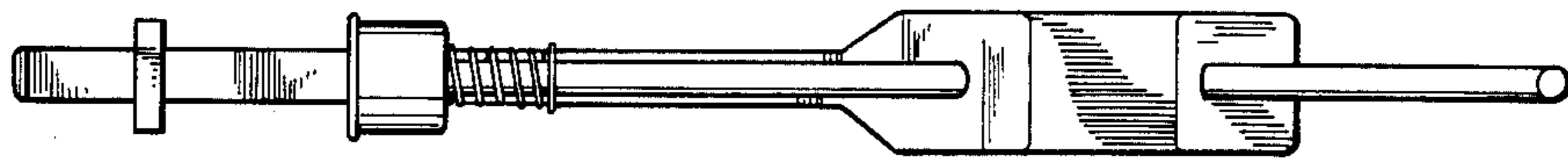


Fig. 4

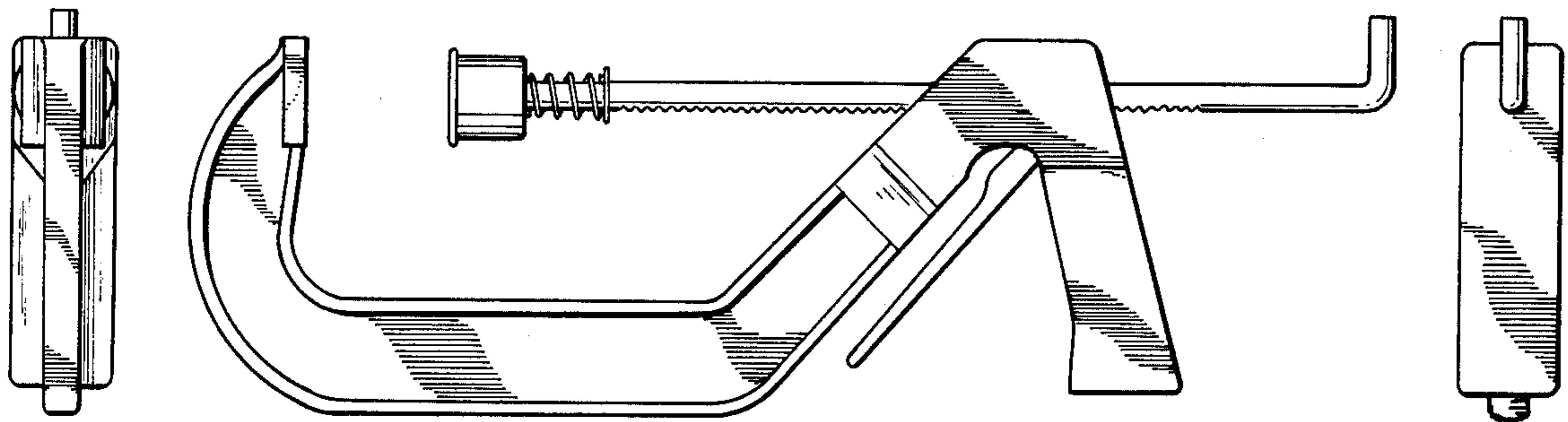


Fig. 3

Fig. 1

Fig. 2

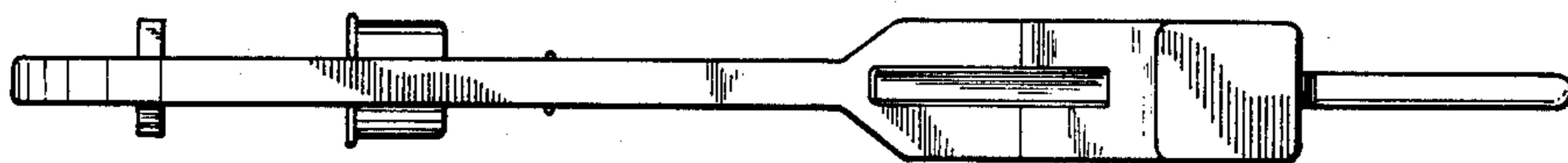


Fig. 5