

[54] BAYONET SAW

[75] Inventor: Earl R. Clowers, Jackson, Tenn.

[73] Assignee: Porter-Cable Corporation, Jackson, Tenn.

[**] Term: 14 Years

[21] Appl. No.: 742,987

[22] Filed: Jun. 10, 1985

[52] U.S. Cl. D8/64

[58] Field of Search D8/61, 64; 30/272 A, 30/273, 392-394, DIG. 1

[56] References Cited

U.S. PATENT DOCUMENTS

D. 178,426	7/1956	Riley, Jr. et al.	D8/64
D. 180,503	6/1957	Anton	D8/64
D. 180,591	7/1957	Ernest et al.	D8/64
D. 183,834	11/1958	Forsberg	D8/64
D. 185,160	5/1959	Madl	D8/64
D. 192,134	1/1962	Johnson	D8/64
D. 225,819	1/1973	Boldt	D8/64
D. 248,085	6/1978	Stelljes et al.	D8/64
D. 277,451	2/1985	Barnik	D8/64

OTHER PUBLICATIONS

Skil catalogue #I-113 for Industry & Construction, 1973, p. 19, Jig Saw #160.

Rockwell Professional Power Tools catalogue, 1978, p. 18, Jig Saw #648.

Ingersoll-Rand Electric Power Tools catalogue, 1976, p. 22, Sabre Saw #8057.

Porter Cable Professional Power Tools, p. 13, published 1984, Model 648.

Primary Examiner—Wallace R. Burke

Assistant Examiner—Brian N. Vinson

Attorney, Agent, or Firm—Merchant, Gould Smith,

Edell, Welter & Schmidt

[57] CLAIM

The ornamental design for a bayonet saw, as shown.

DESCRIPTION

FIG. 1 is a front and top right side perspective view of a bayonet saw showing my new design;

FIG. 2 is a right side elevational view thereof;

FIG. 3 is a left side elevational view thereof;

FIG. 4 is a rear elevational view thereof;

FIG. 5 is a front elevational view thereof;

FIG. 6 is bottom plan view thereof; and

FIG. 7 is a top plan view thereof.

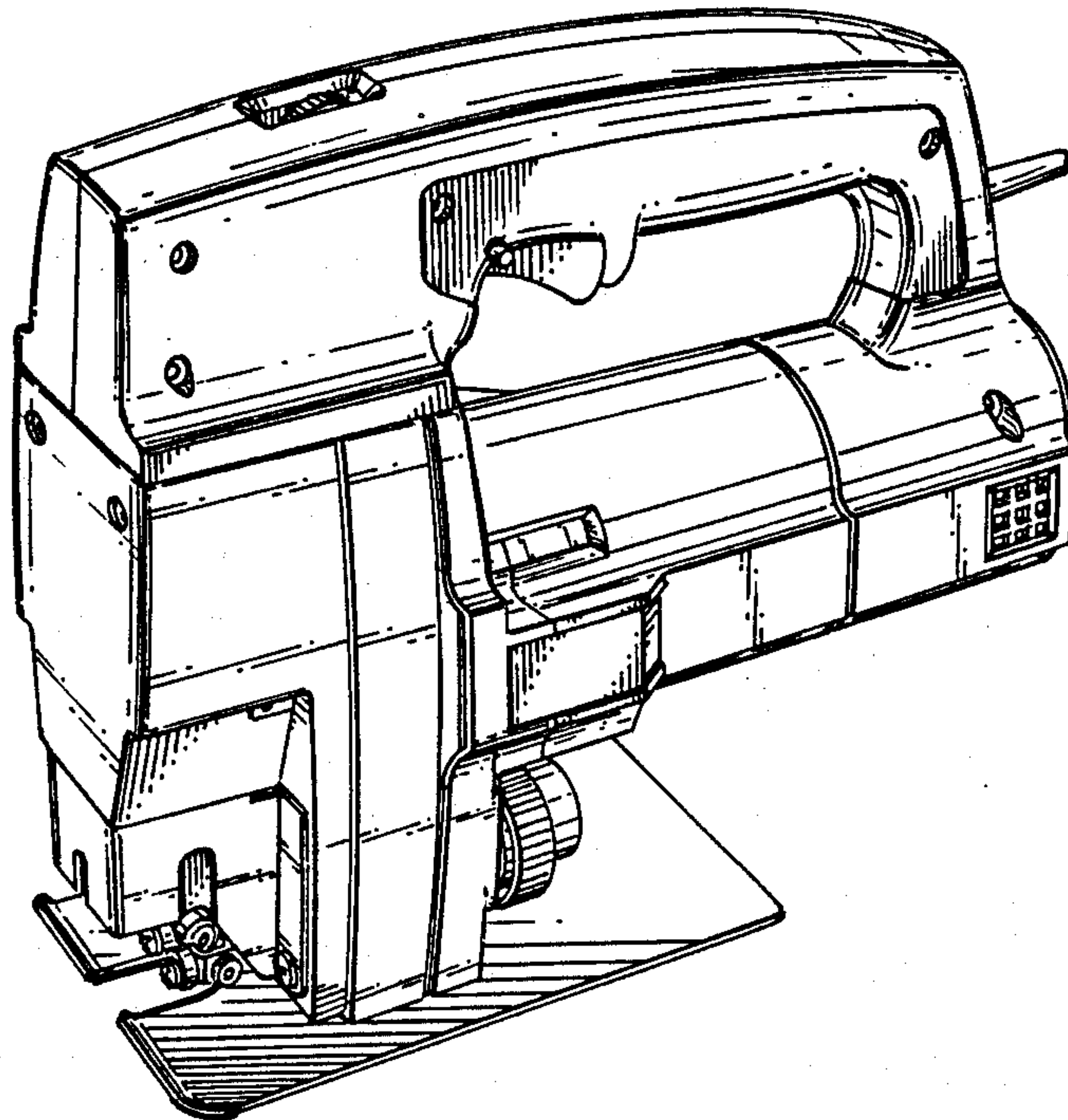


FIG. 1

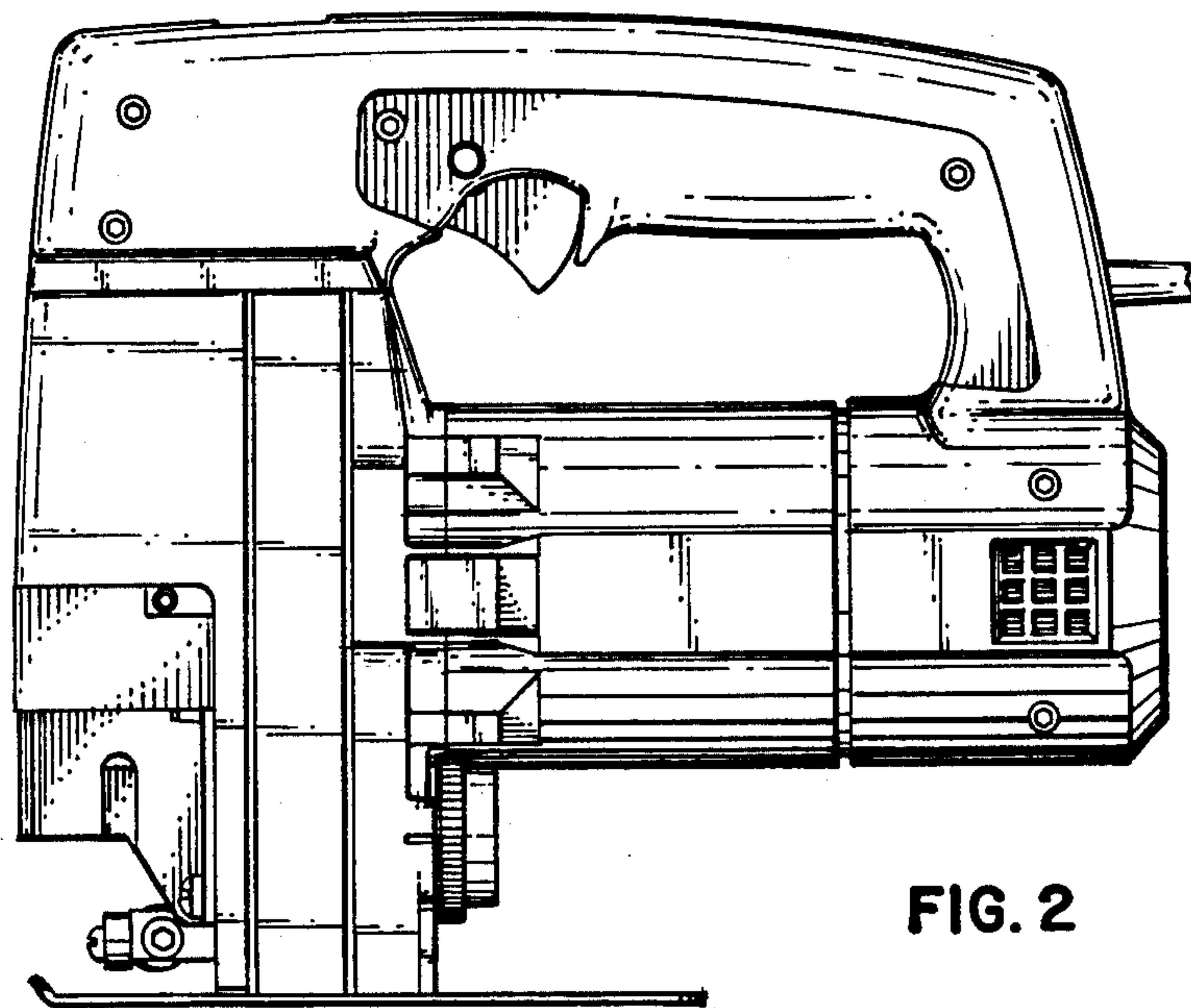
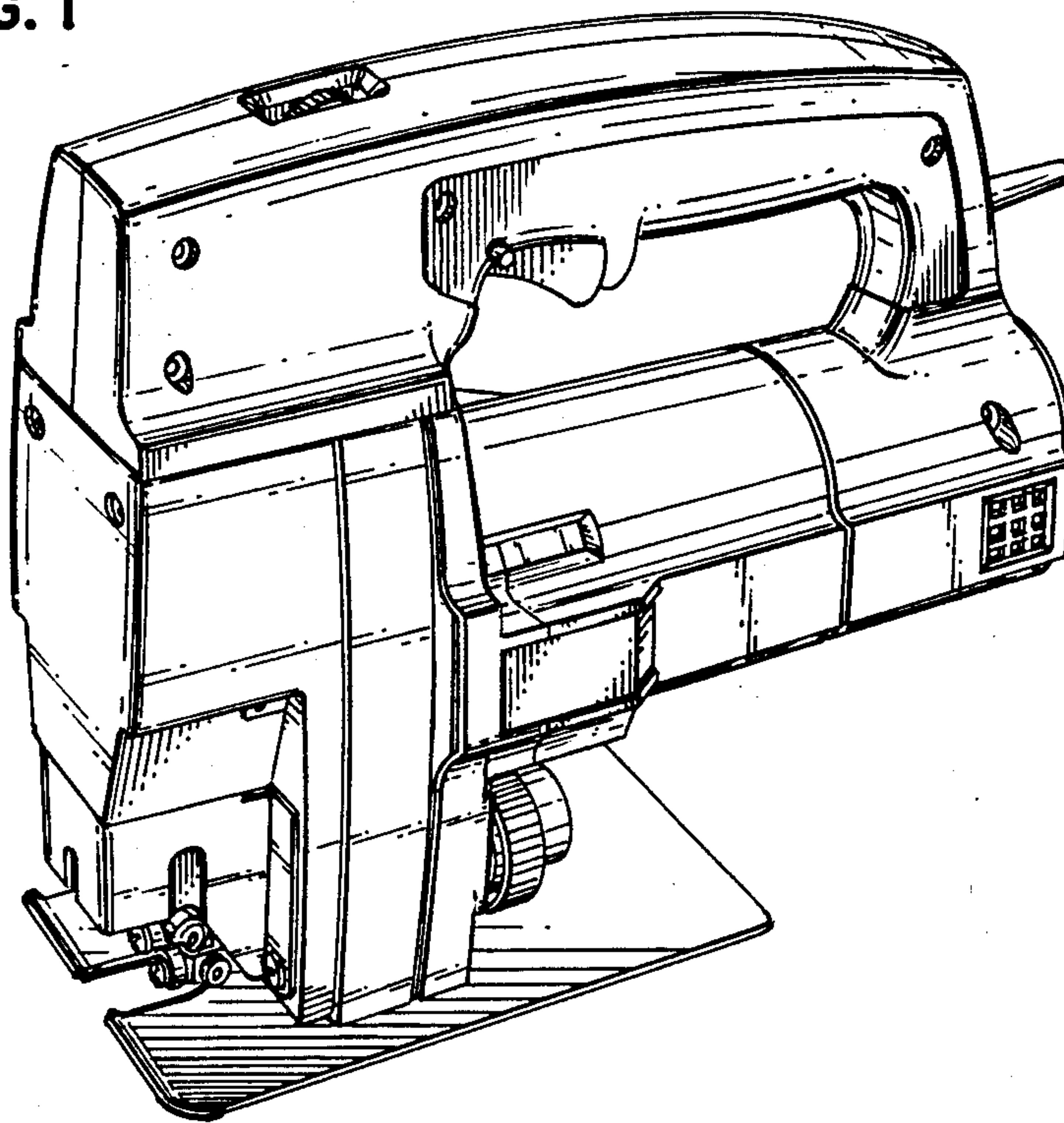


FIG. 2

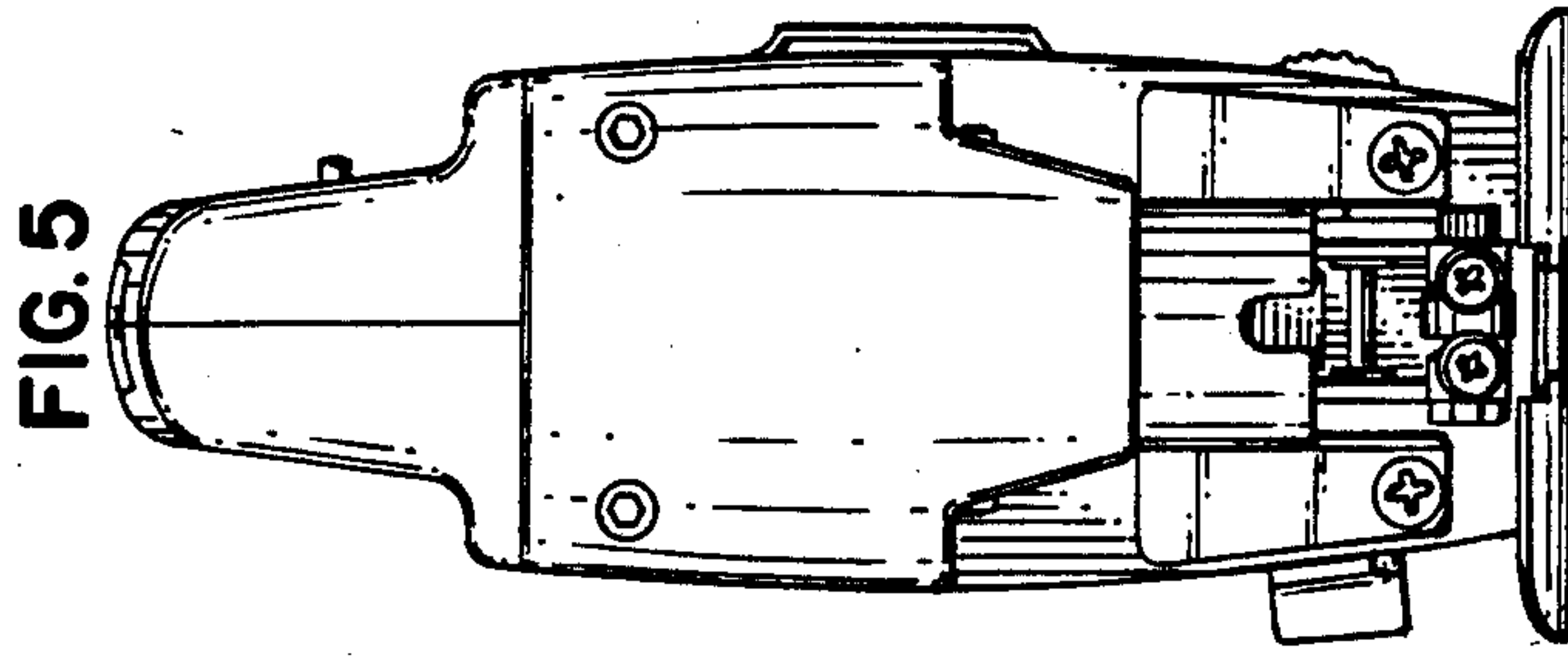


FIG. 5

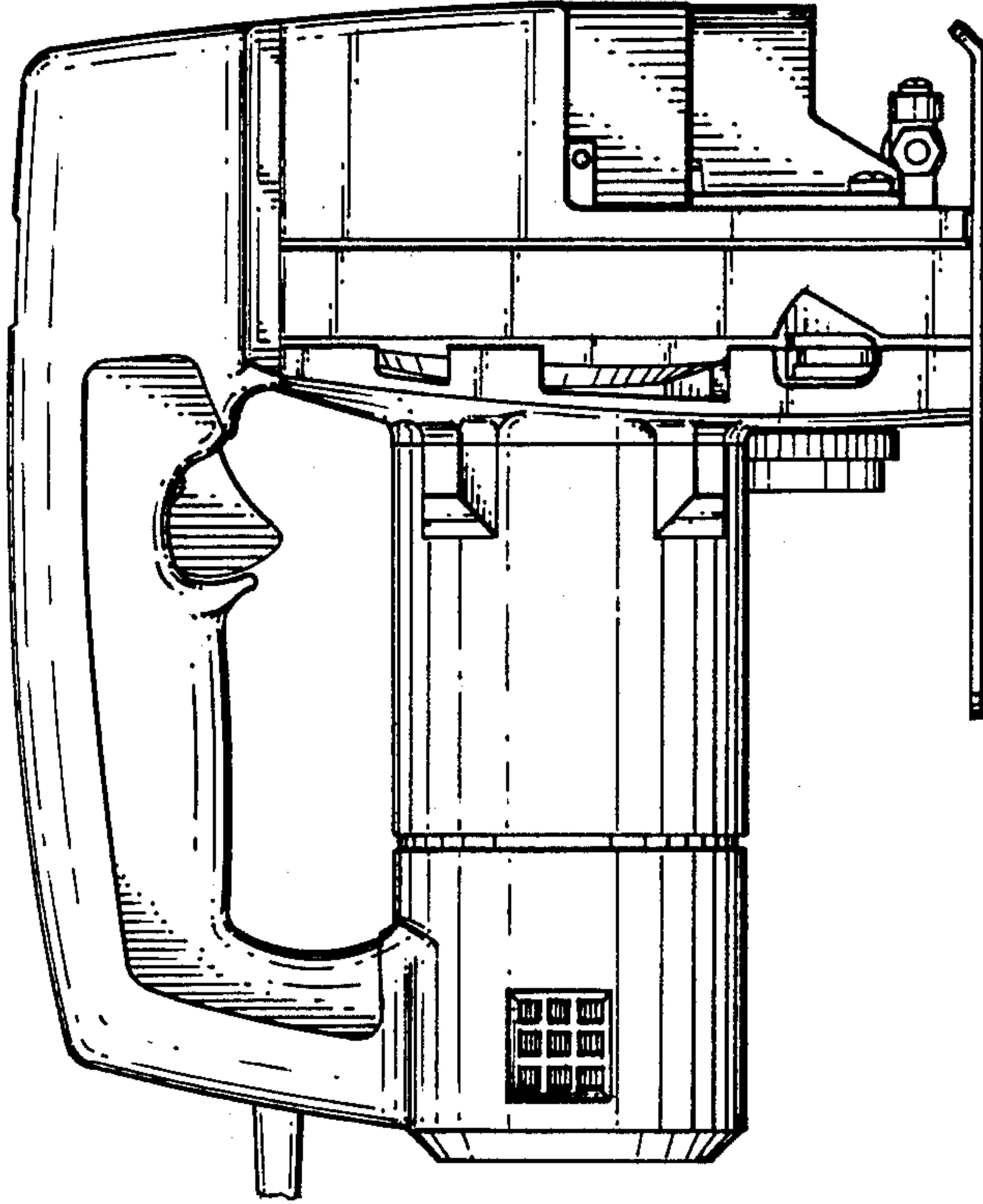


FIG. 3

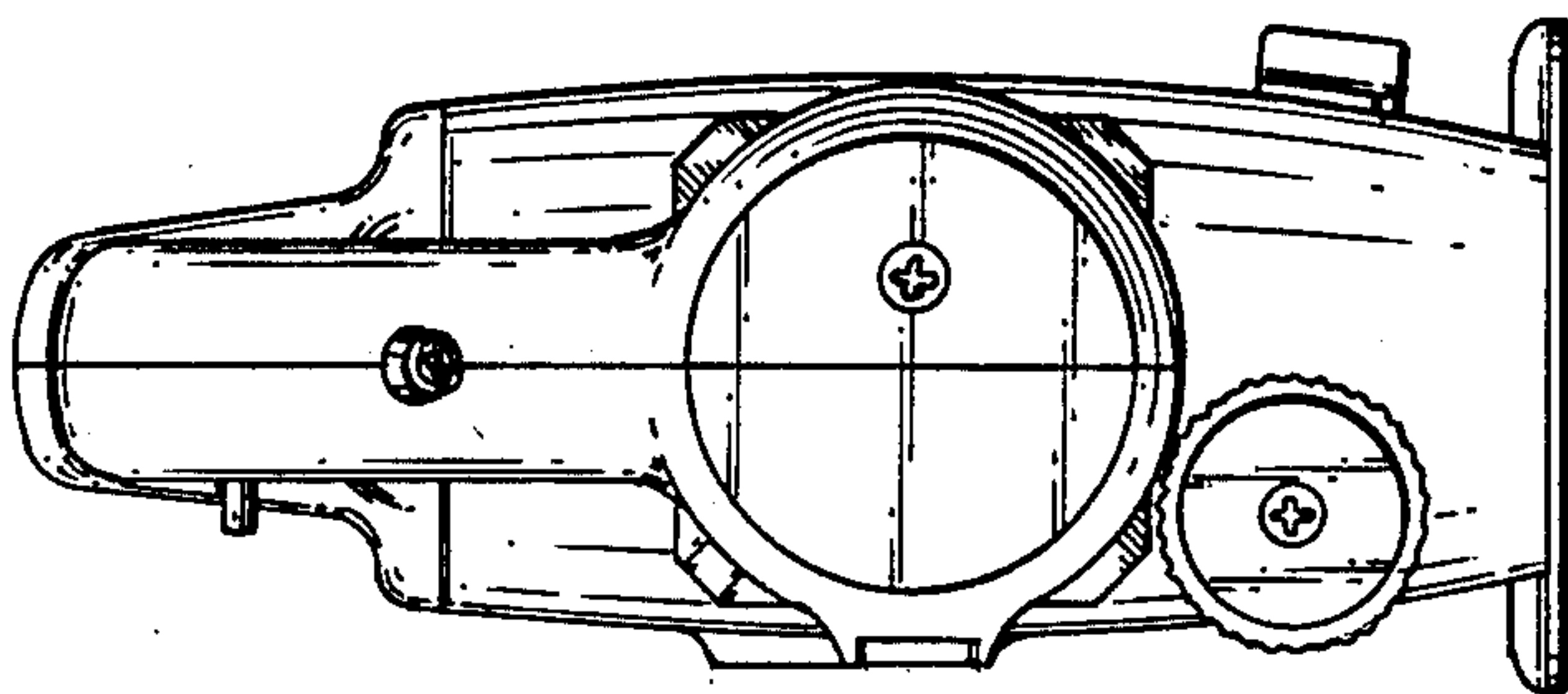


FIG. 4

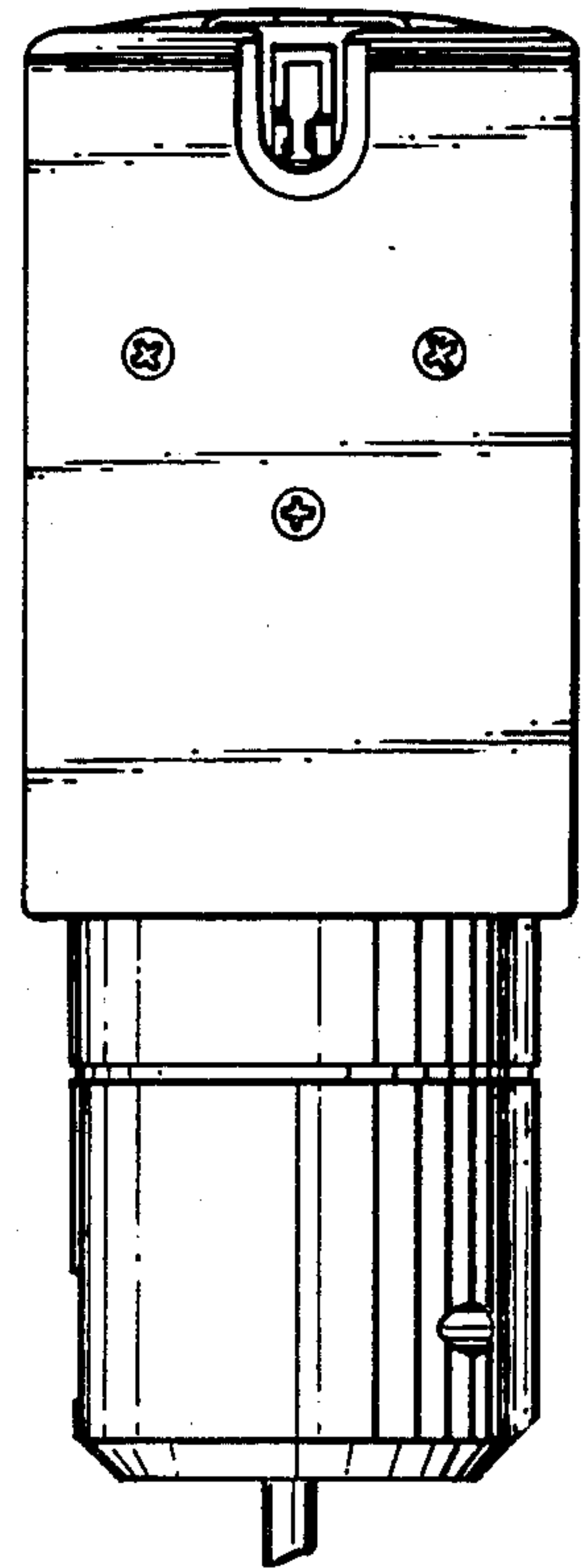


FIG. 6

FIG. 7

