

[54] **NAIL SET**

4,691,598 9/1987 Lin 81/44

[75] **Inventor: Harry C. Oakes, Perry, N.Y.**

Primary Examiner—Wallace R. Burke
Assistant Examiner—Clare E. Heflin
Attorney, Agent, or Firm—Darby & Darby

[73] **Assignee: Harry C. Oakes, Inc., Perry, N.Y.**

[**] **Term: 14 Years**

[57] **CLAIM**

[21] **Appl. No.: 785,474**

The ornamental design for a nail set, as shown and described.

[22] **Filed: Oct. 8, 1985**

[52] **U.S. Cl. D8/47; 81/44**

[58] **Field of Search D8/14, 47; 81/44**

DESCRIPTION

[56] **References Cited**

U.S. PATENT DOCUMENTS

D. 57,630	4/1921	Frampton	D8/47
530,252	12/1894	White	81/44
1,495,092	5/1924	Makowski	81/44
4,004,624	1/1977	Holstein	D8/14 X

FIG. 1 is a perspective view of a nail set showing my new design;

FIG. 2 is a top plan view thereof;

FIG. 3 is a side elevational view thereof, the opposite side being a mirror image;

FIG. 4 is an end elevational view thereof, the opposite end being a mirror image;

FIG. 5 is a bottom plan view thereof.

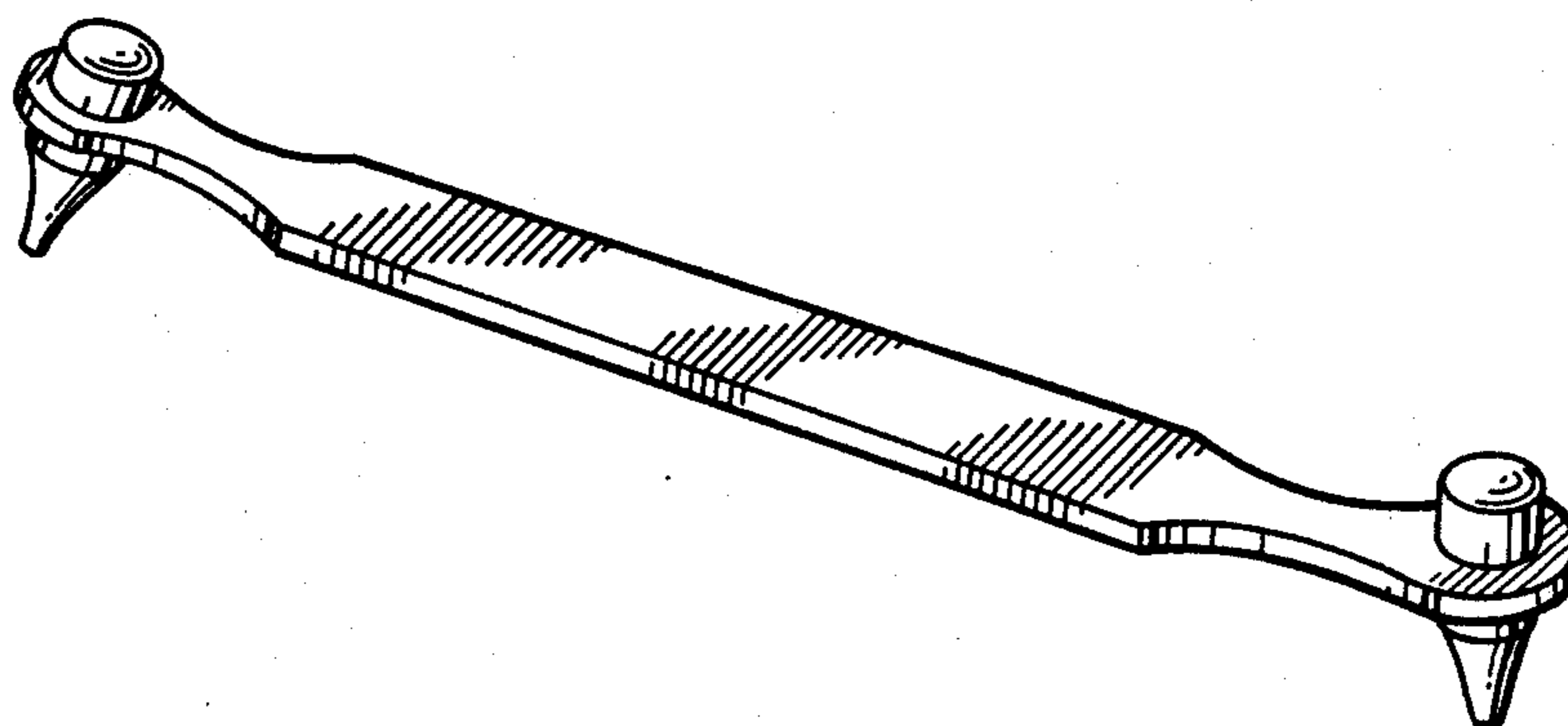


FIG. 1

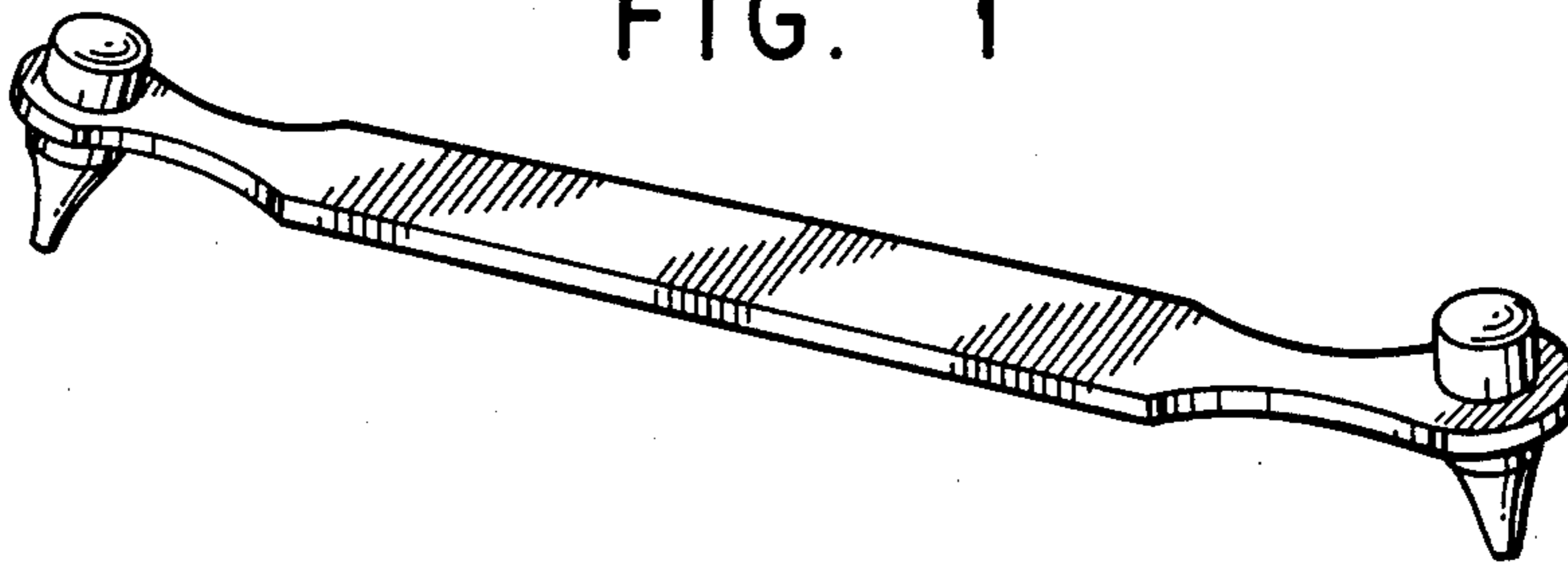


FIG. 2

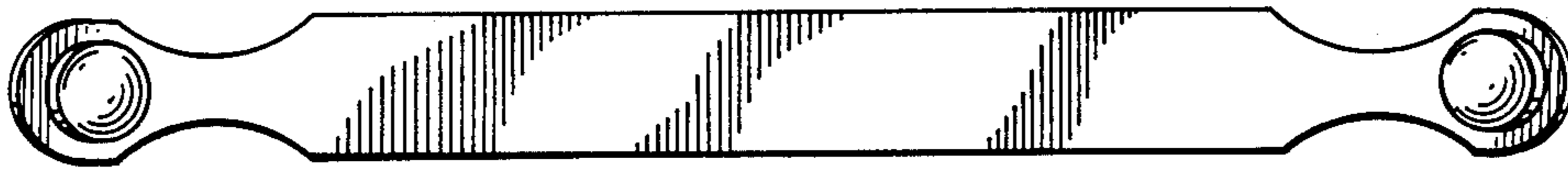


FIG. 3

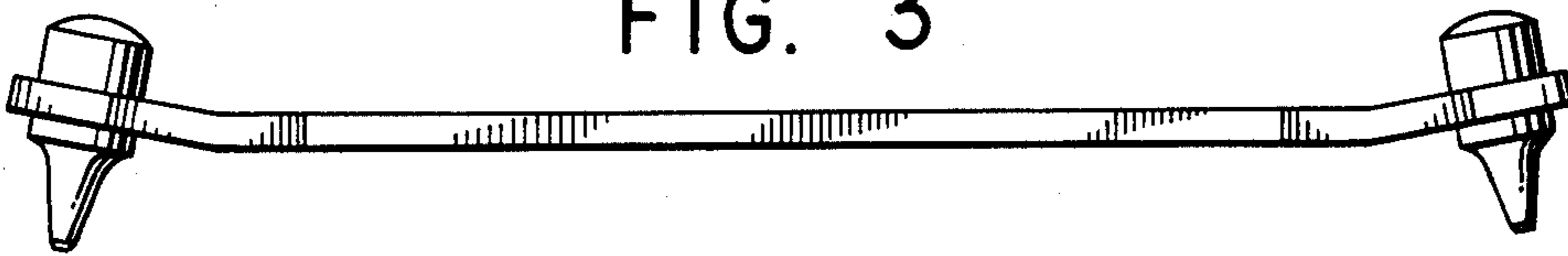


FIG. 4

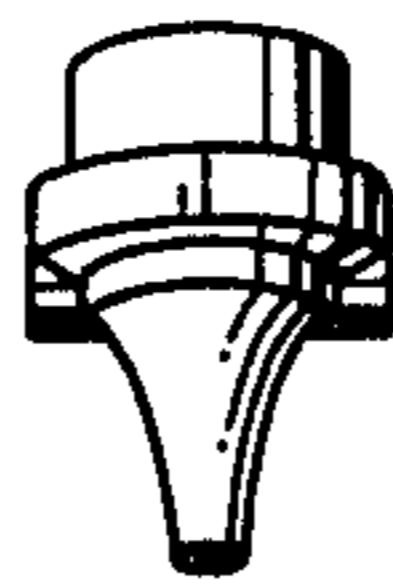


FIG. 5

