

[54] **HEAT GUN**

[75] **Inventor: David Pagani, Newport Beach, Calif.**

[73] **Assignee: Eldon Industries, Inc., Inglewood, Calif.**

[**] **Term: 14 Years**

[21] **Appl. No.: 813,265**

[22] **Filed: Dec. 24, 1985**

[52] **U.S. Cl. D8/29.1**

[58] **Field of Search D8/29.1; D23/332; D28/13; 219/368, 369, 370, 373; 34/96-101, 243 R**

[56] **References Cited**

U.S. PATENT DOCUMENTS

D. 232,554	8/1974	Benjamin	D8/29.1
D. 274,551	7/1984	Benjamin et al.	D8/29.1
D. 279,814	7/1985	Gaines	D8/29.1
D. 288,841	3/1987	Steinel et al.	D23/332
3,209,127	9/1965	Graves	219/370
3,209,988	10/1965	Fox et al.	219/370 X
3,211,890	10/1965	Graves	219/370
3,492,462	1/1970	Schumacher	219/368 X
3,668,370	6/1972	Pattison	219/370 X
4,135,080	1/1979	Wells, Jr.	219/370
4,366,368	12/1982	Stephens	219/370 X

FOREIGN PATENT DOCUMENTS

0056188	7/1982	European Pat. Off.	219/370
0599521	6/1934	Fed. Rep. of Germany	219/373
1203480	1/1960	France	219/370
0413788	5/1946	Italy	219/370
0040755	3/1979	Japan	219/370

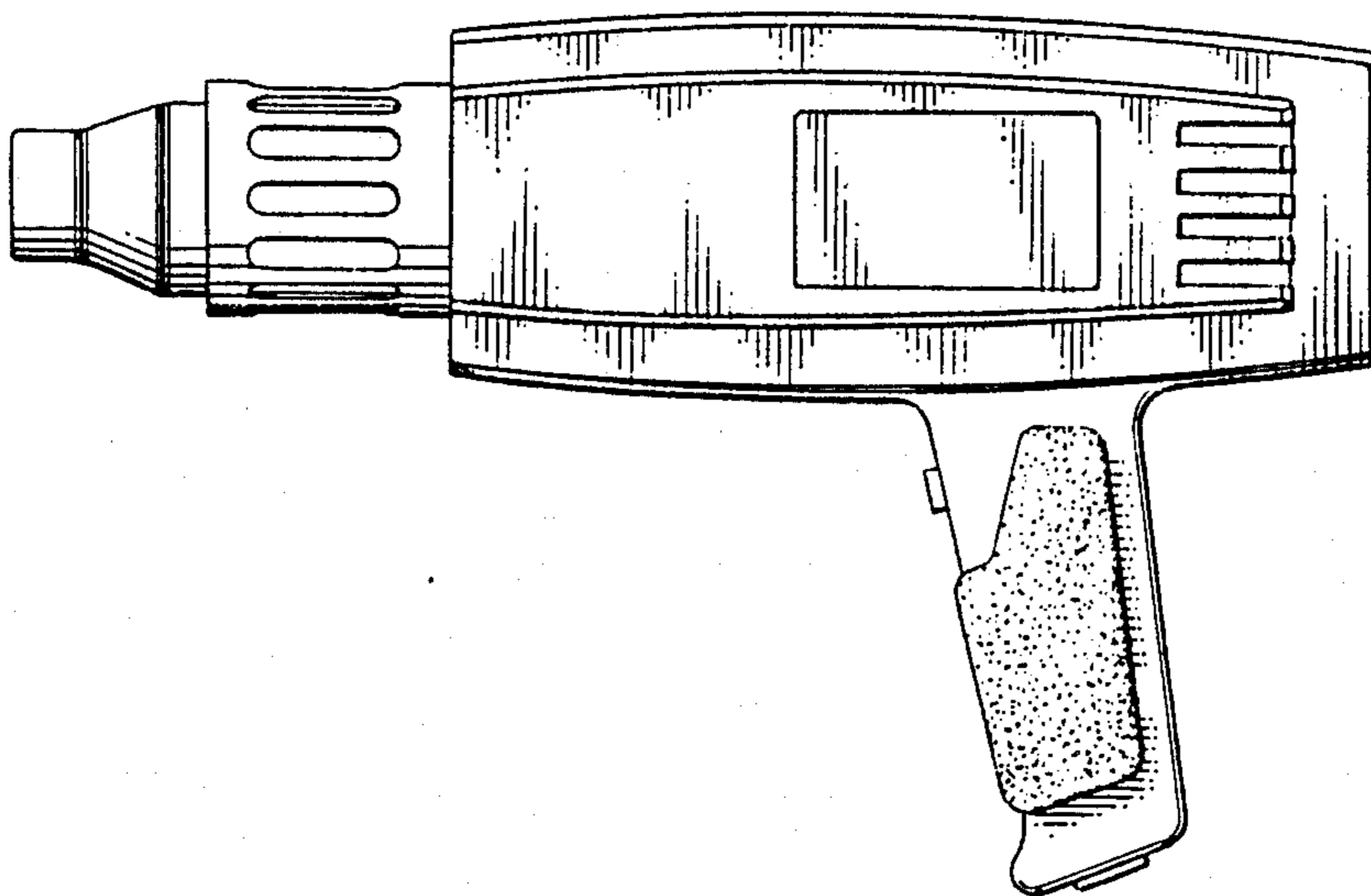
Primary Examiner—Catherine E. Kemper
Attorney, Agent, or Firm—Edward D. O'Brian

[57] **CLAIM**

The ornamental design for a heat gun, as shown and described.

DESCRIPTION

FIG. 1 is a side elevational view of a heat gun, showing my new design;
 FIG. 2 is an isometric view showing the front, top and left side thereof;
 FIG. 3 is a top plan view thereof;
 FIG. 4 is a bottom plan view thereof;
 FIG. 5 is a front elevational view thereof;
 FIG. 6 is a rear elevational view thereof;
 FIG. 7 is a side elevational view of a second embodiment of a heat gun;
 FIG. 8 is an isometric view showing the front, top, and left side thereof;
 FIG. 9 is a top plan view thereof;
 FIG. 10 is a bottom plan view thereof;
 FIG. 11 is a front elevational view thereof; and
 FIG. 12 is a rear elevational view thereof.



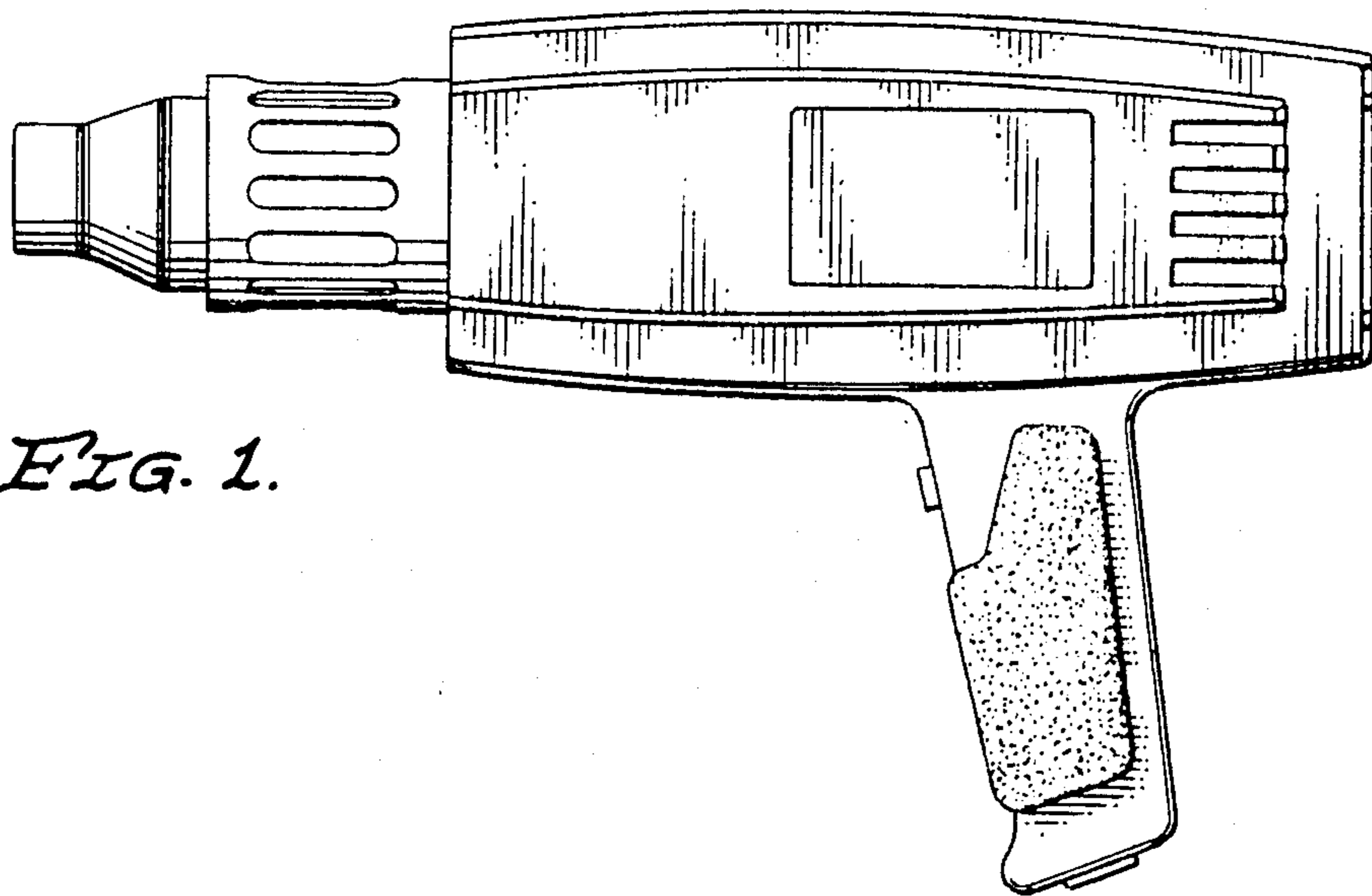


FIG. 1.

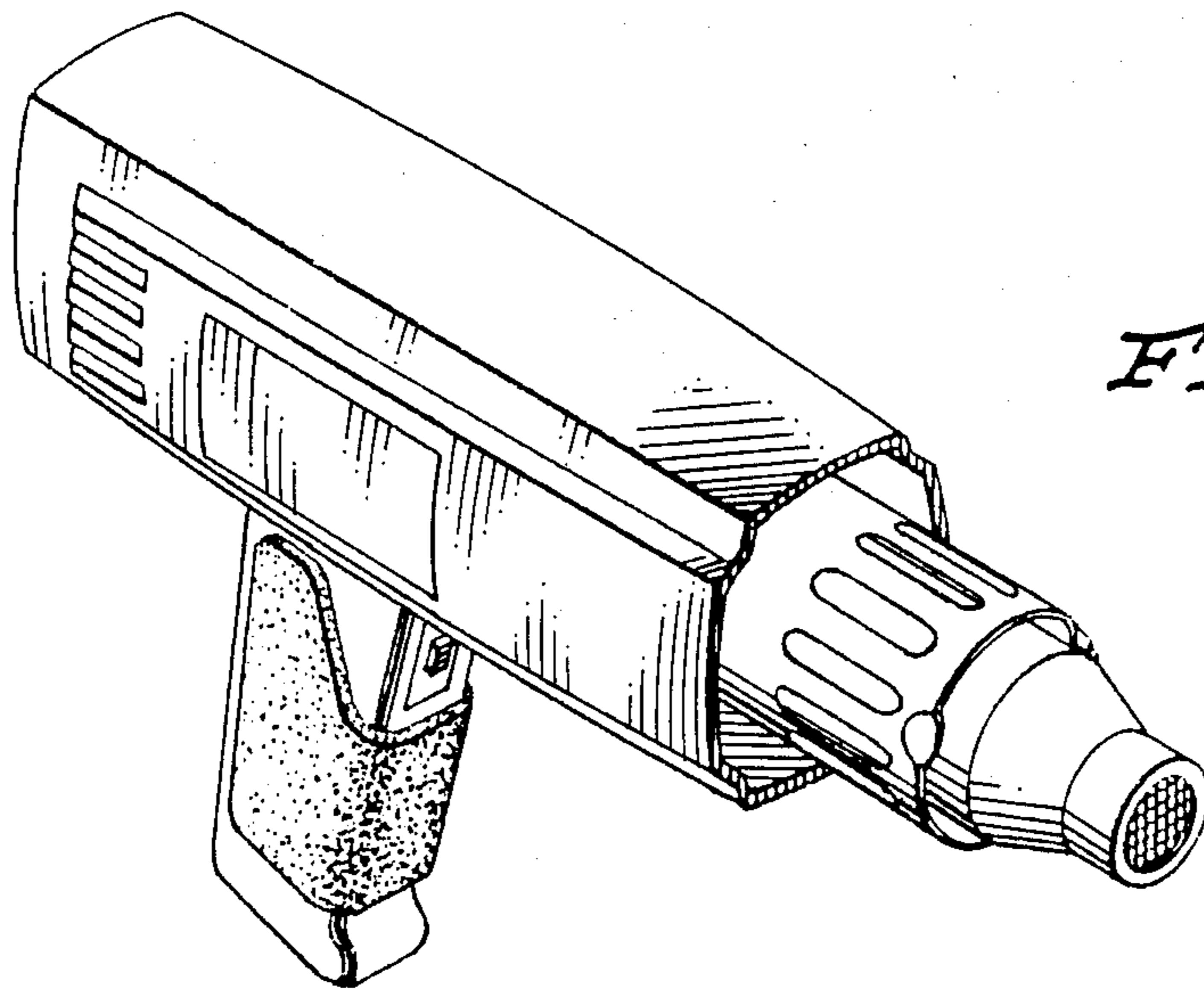


FIG. 2.

FIG. 3.

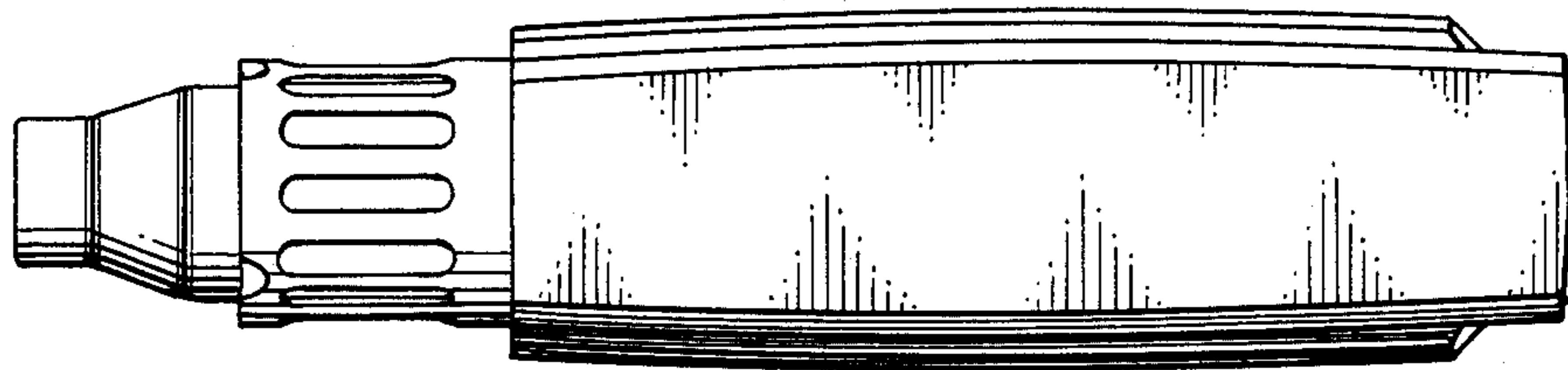


FIG. 4.

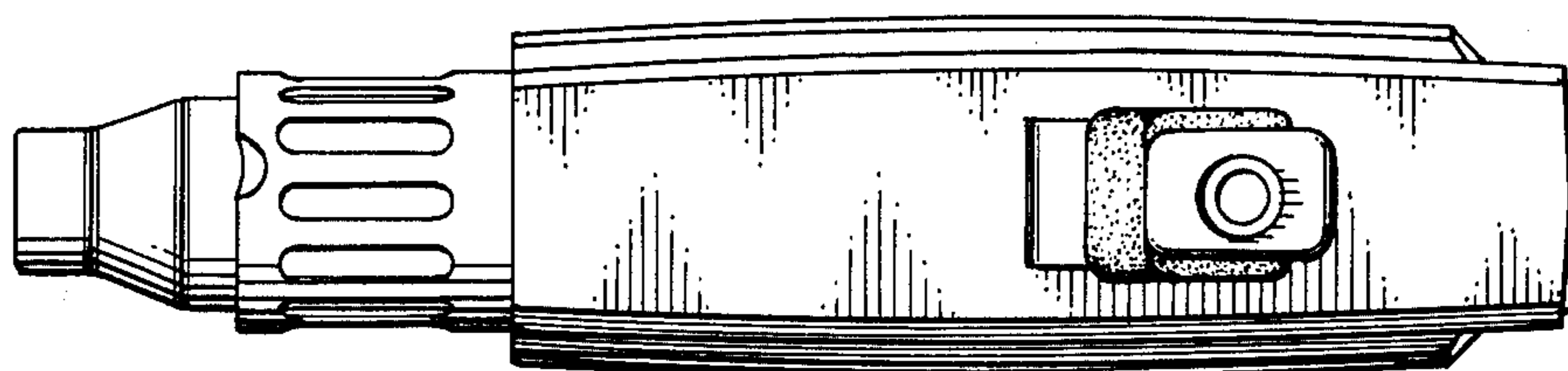


FIG. 5.

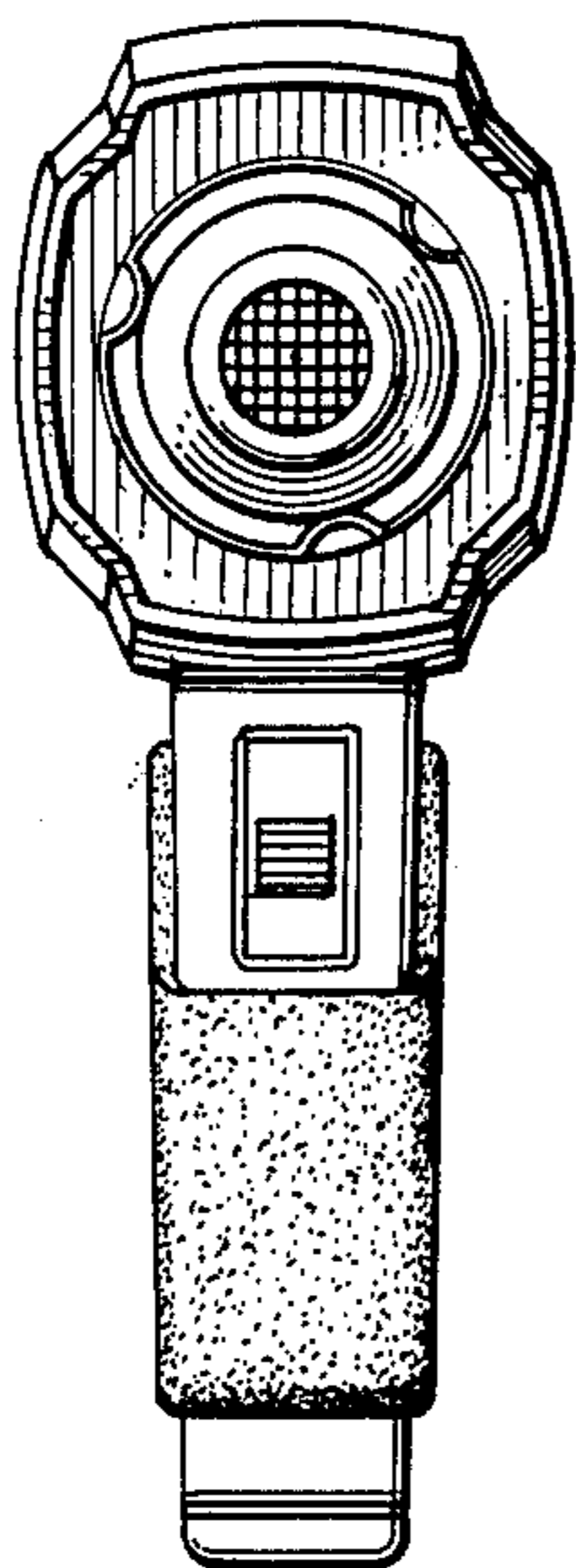
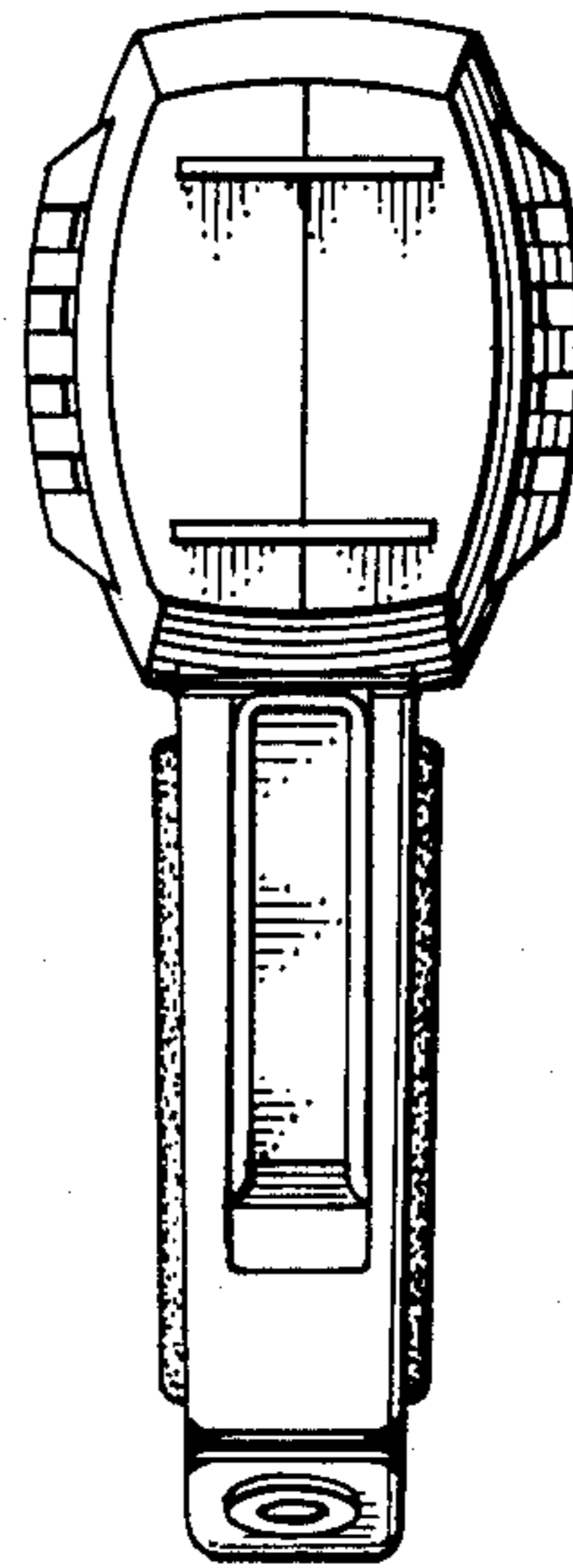


FIG. 6.



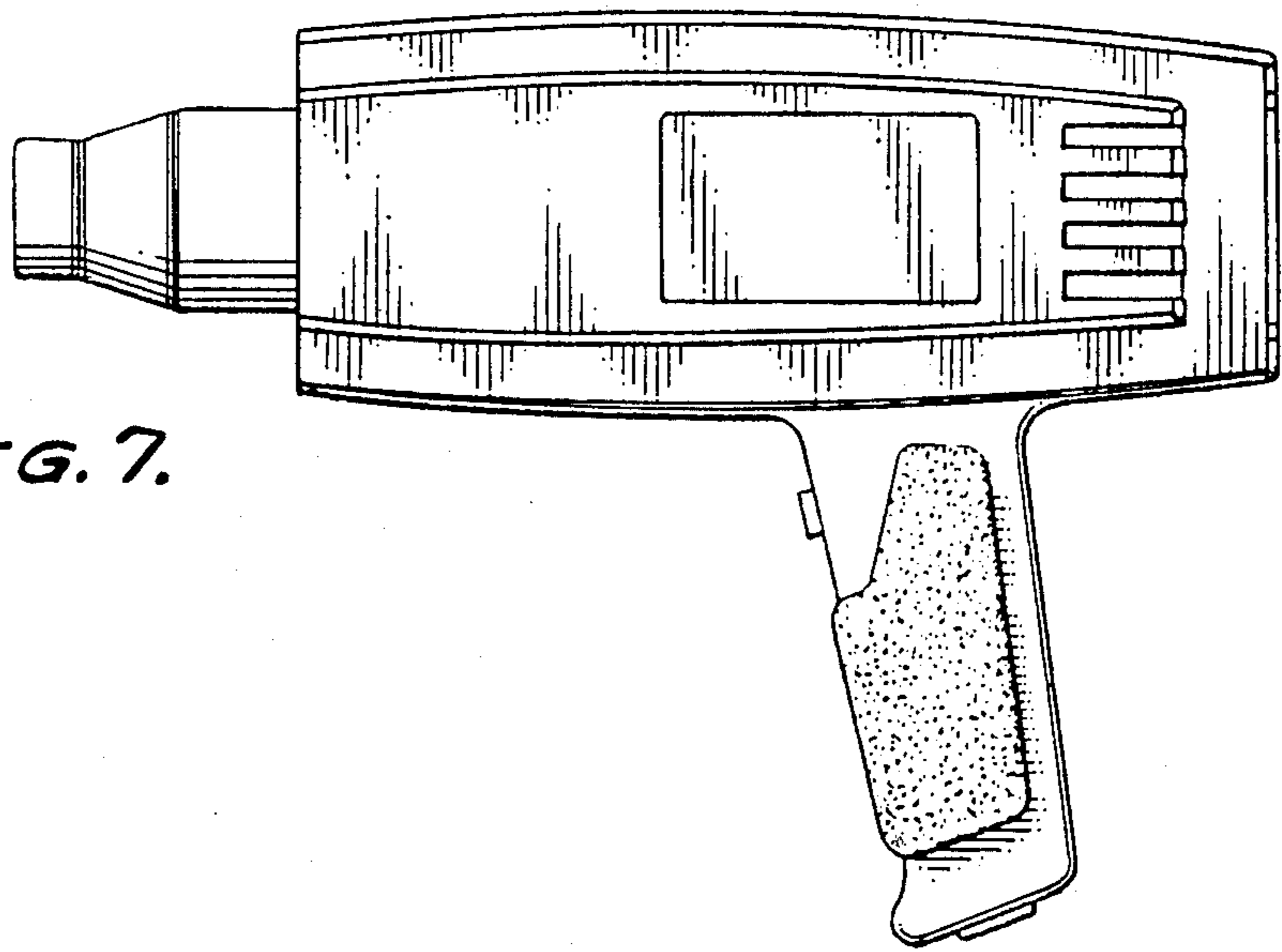


FIG. 7.

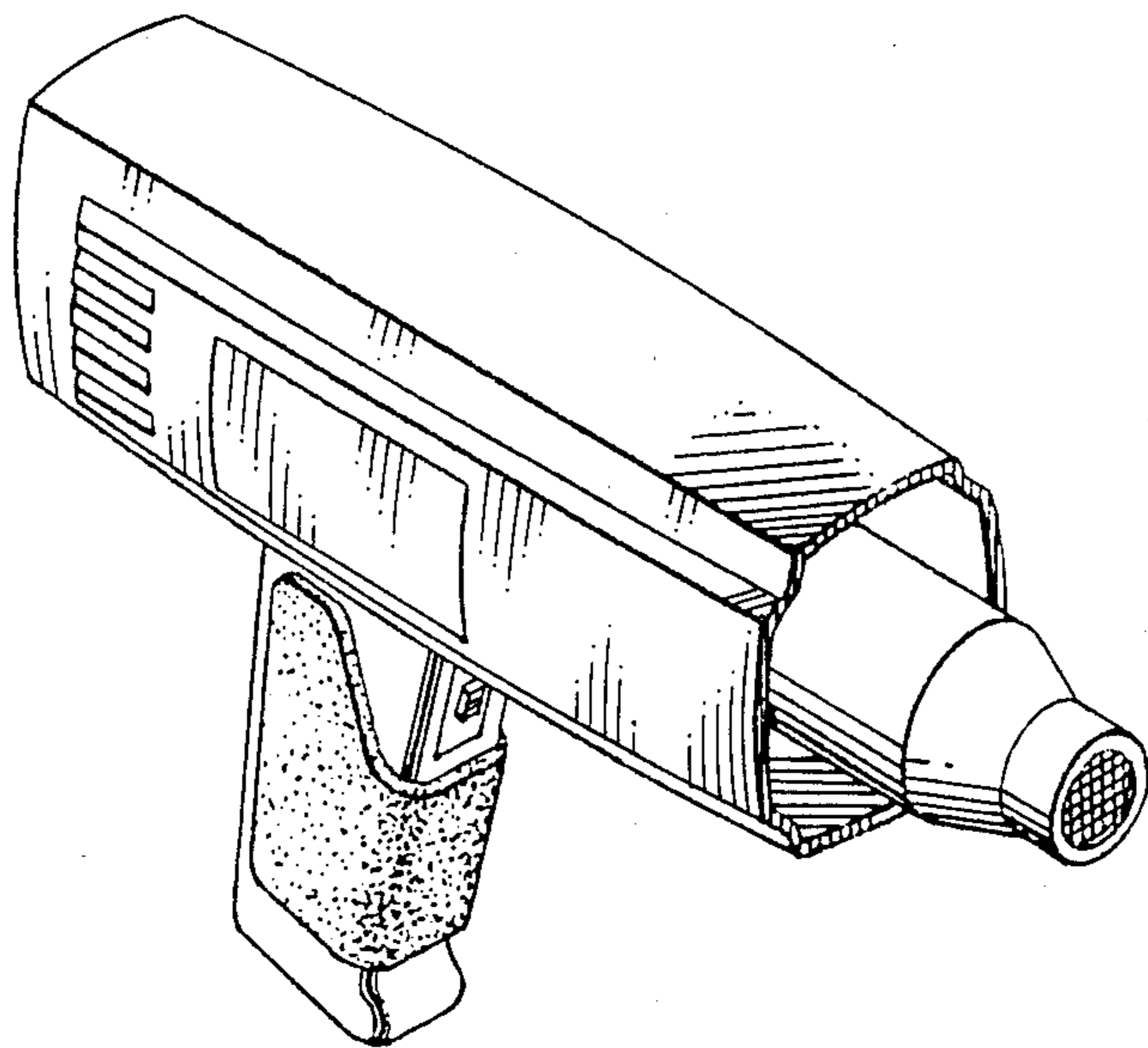


FIG. 8.

FIG. 9.

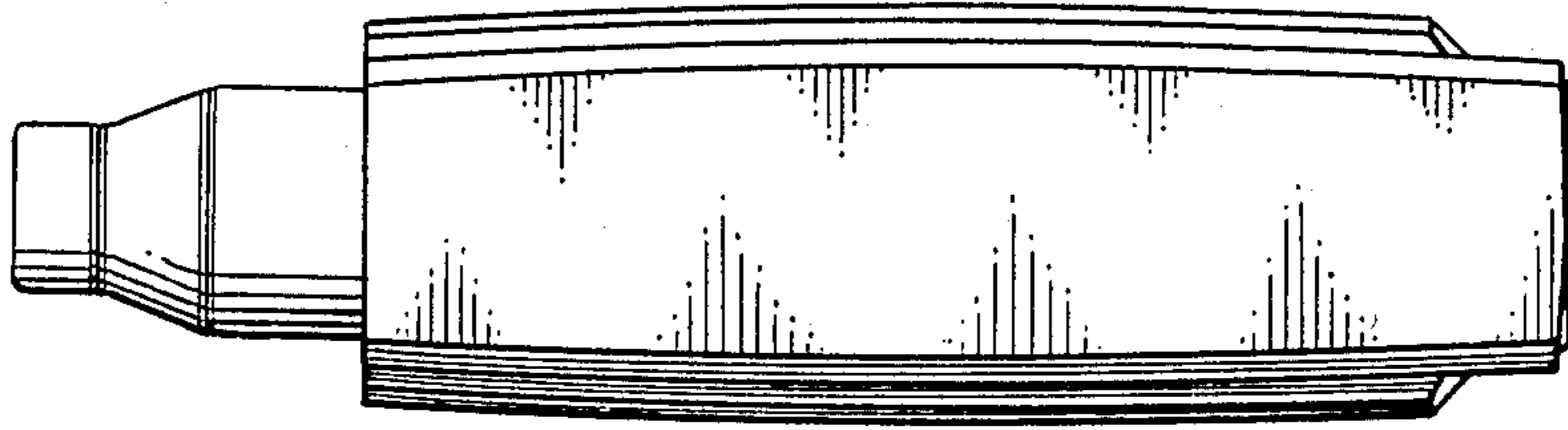


FIG. 10.

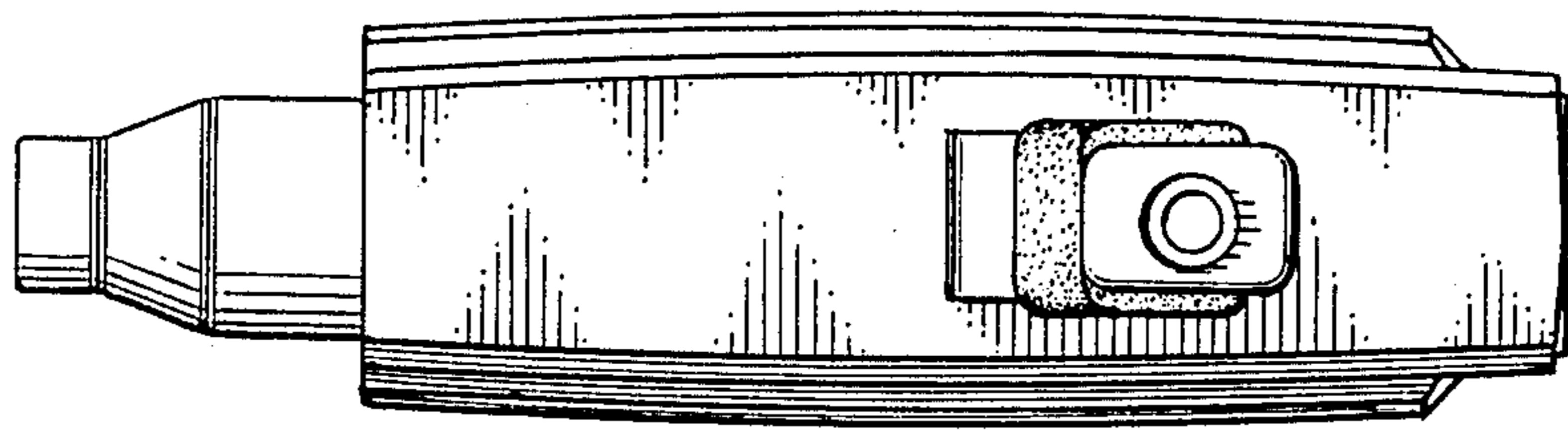


FIG. 11.

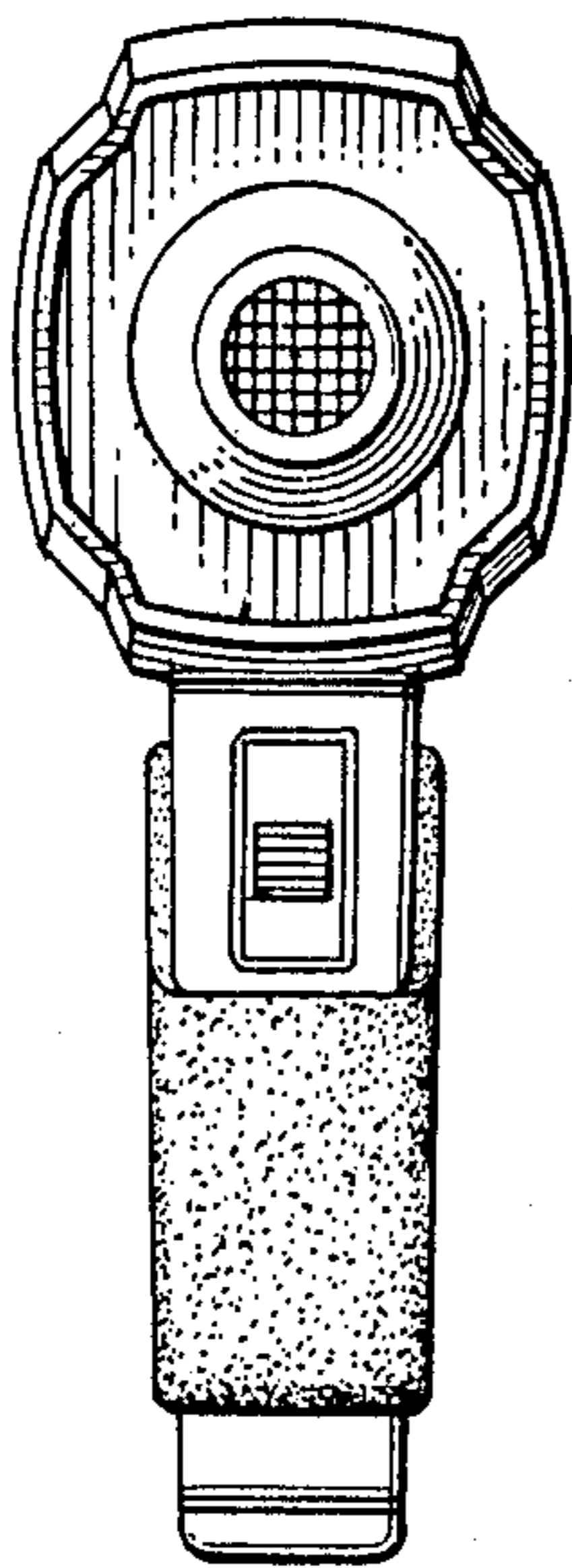


FIG. 12.

