

[54] PORTABLE COOKING KIT

[76] Inventor: Joan T. Nelson, 1751 E. Reno, #127, Las Vegas, Nev. 89119

[**] Term: 14 Years

[21] Appl. No.: 806,924

[22] Filed: Nov. 27, 1985

[52] U.S. Cl. D7/362

[58] Field of Search D7/323, 331-332, D7/334, 337-341, 346-348, 354-355, 362-363, 366-367, 406-409, 77, 359, 402; 126/261; D3/74, 76; 206/541, 547, 549, 545; 219/387

[56] References Cited

U.S. PATENT DOCUMENTS

2,512,712	10/1950	Brody	219/387
2,669,641	2/1954	Becker	219/387
3,016,129	1/1962	King, III	206/545
3,372,690	3/1968	Ruiz et al.	126/261
3,515,119	6/1970	Kivela	219/387
3,591,768	7/1971	Torres	219/387

4,106,597	8/1978	Shook et al.	190/42
4,336,883	6/1982	Krug et al.	206/545

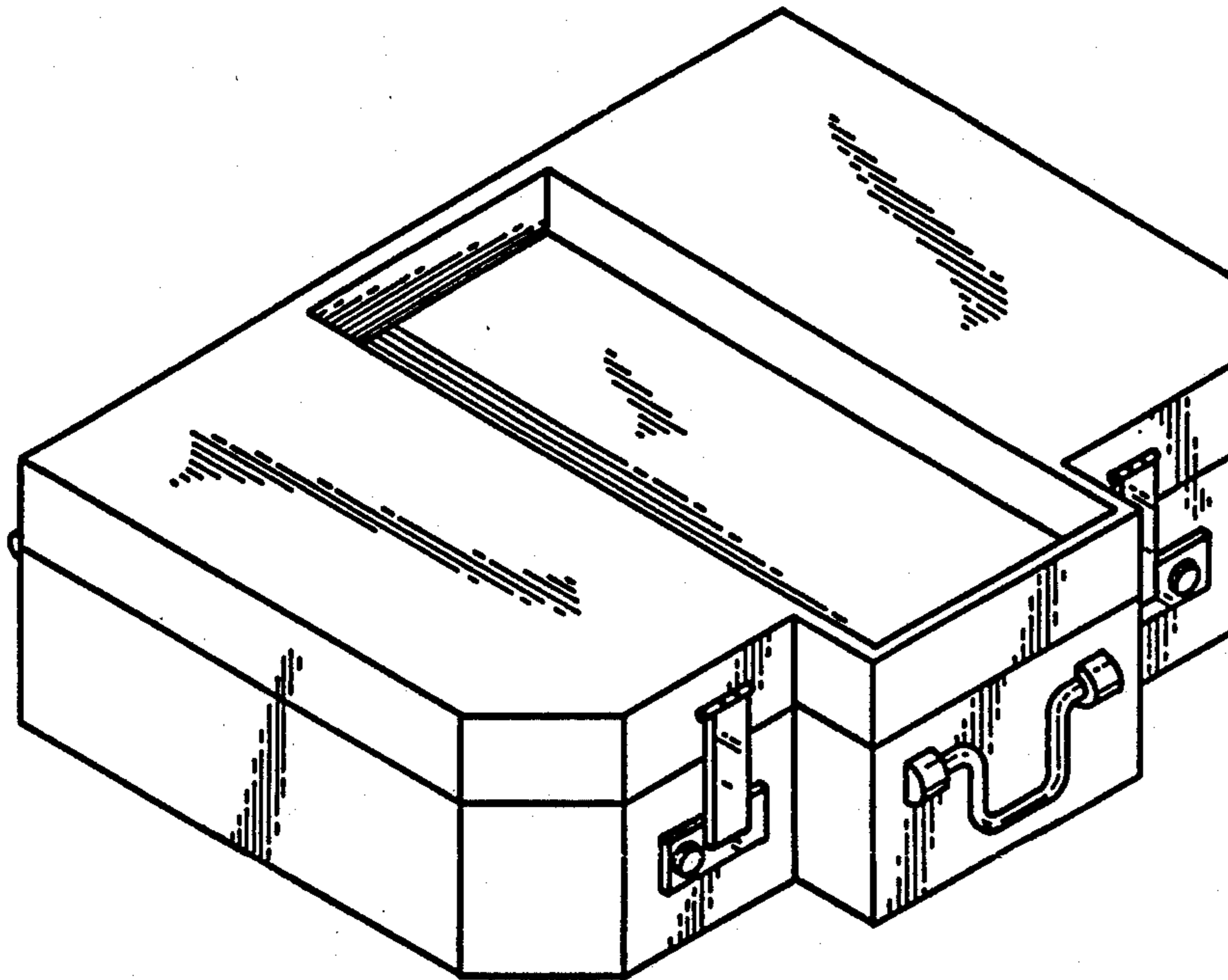
Primary Examiner—B. J. Bullock
Assistant Examiner—Ruth Takemoto
Attorney, Agent, or Firm—W. C. Tupman

[57] CLAIM

The ornamental design for a portable cooking kit, substantially as shown and described.

DESCRIPTION

FIG. 1 is an isometric view of a portable cooking kit showing my new design; FIG. 2 is an end elevational view thereof, the opposite end being a mirror image; FIG. 3 is a bottom plan view thereof; FIG. 4 is an isometric view thereof in an opened assembled condition; FIG. 5 is an isometric view of the case only, shown in an opened condition; and FIG. 6 is an isometric view of the Thermos, hot plate and cups which are shown separately for clarity of illustration only.



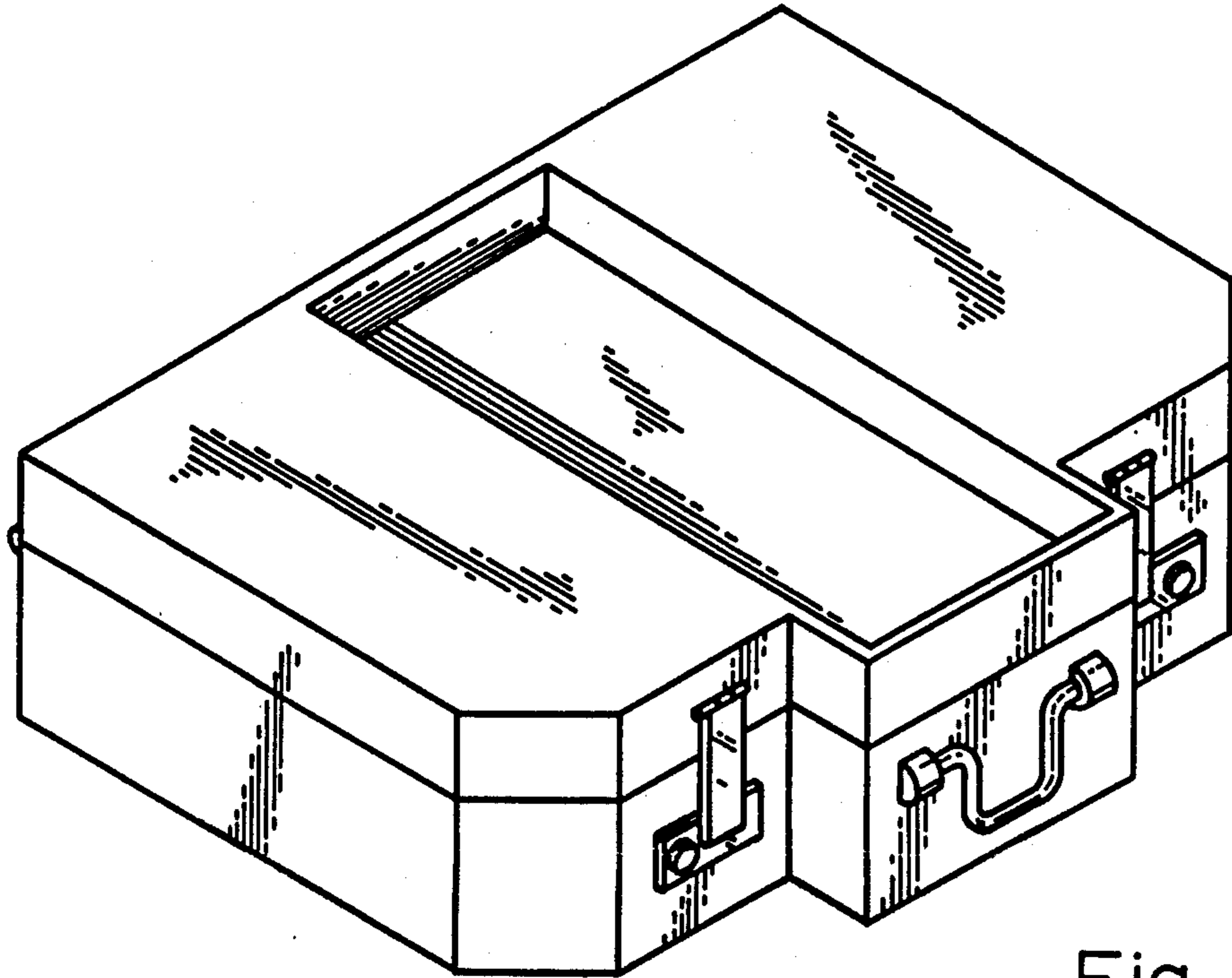
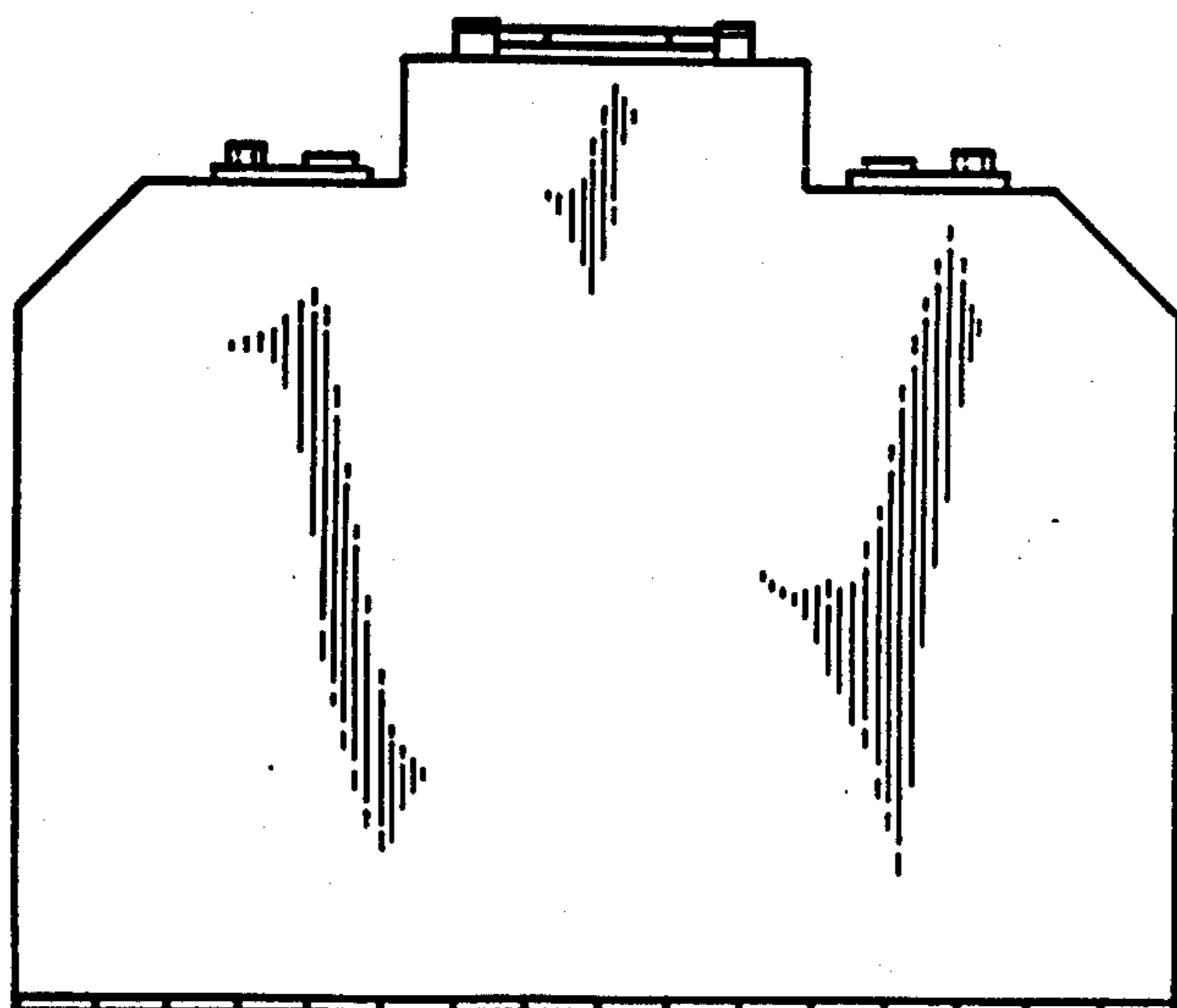


Fig. 1

Fig. 2



Fig. 3



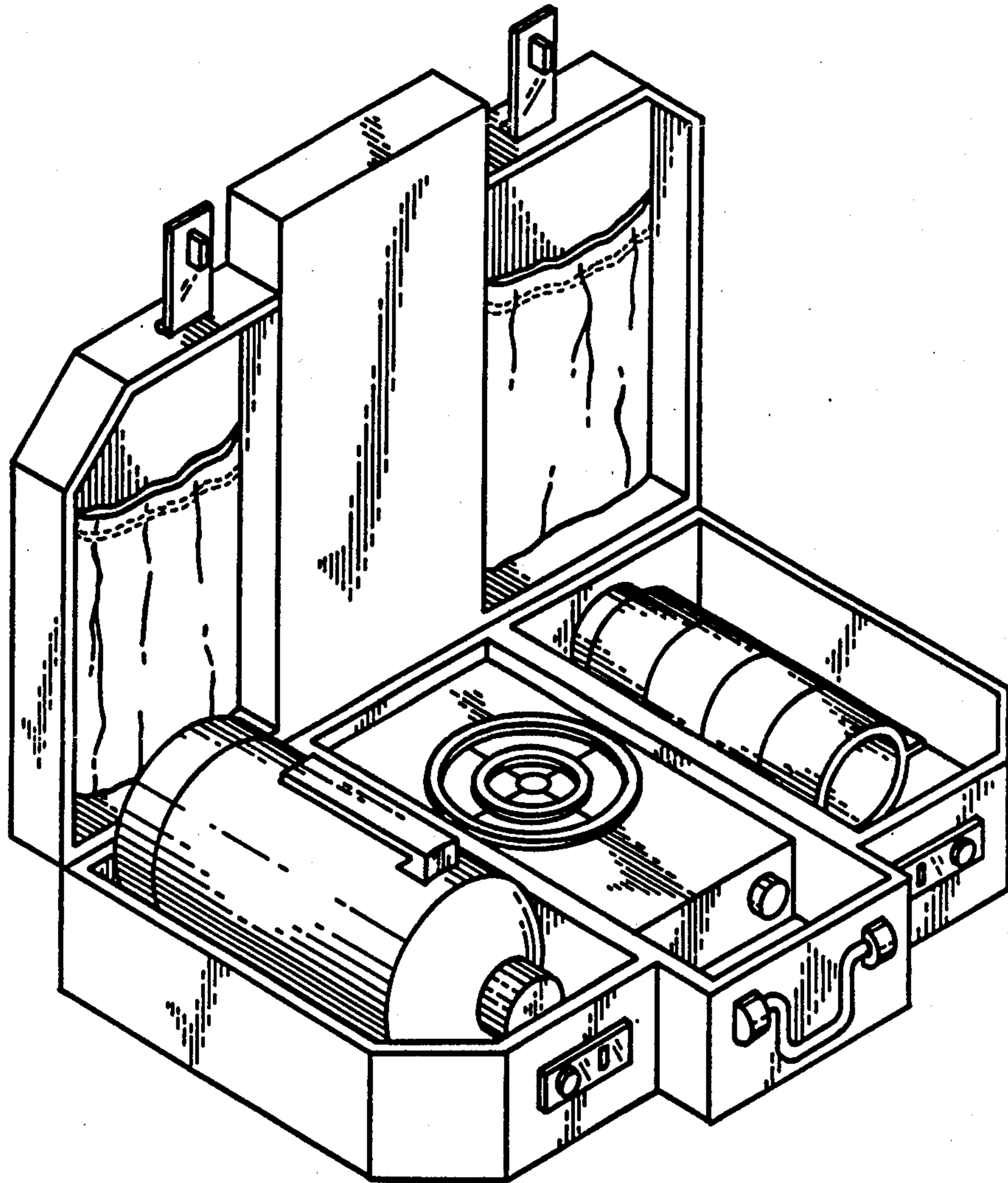


Fig. 4

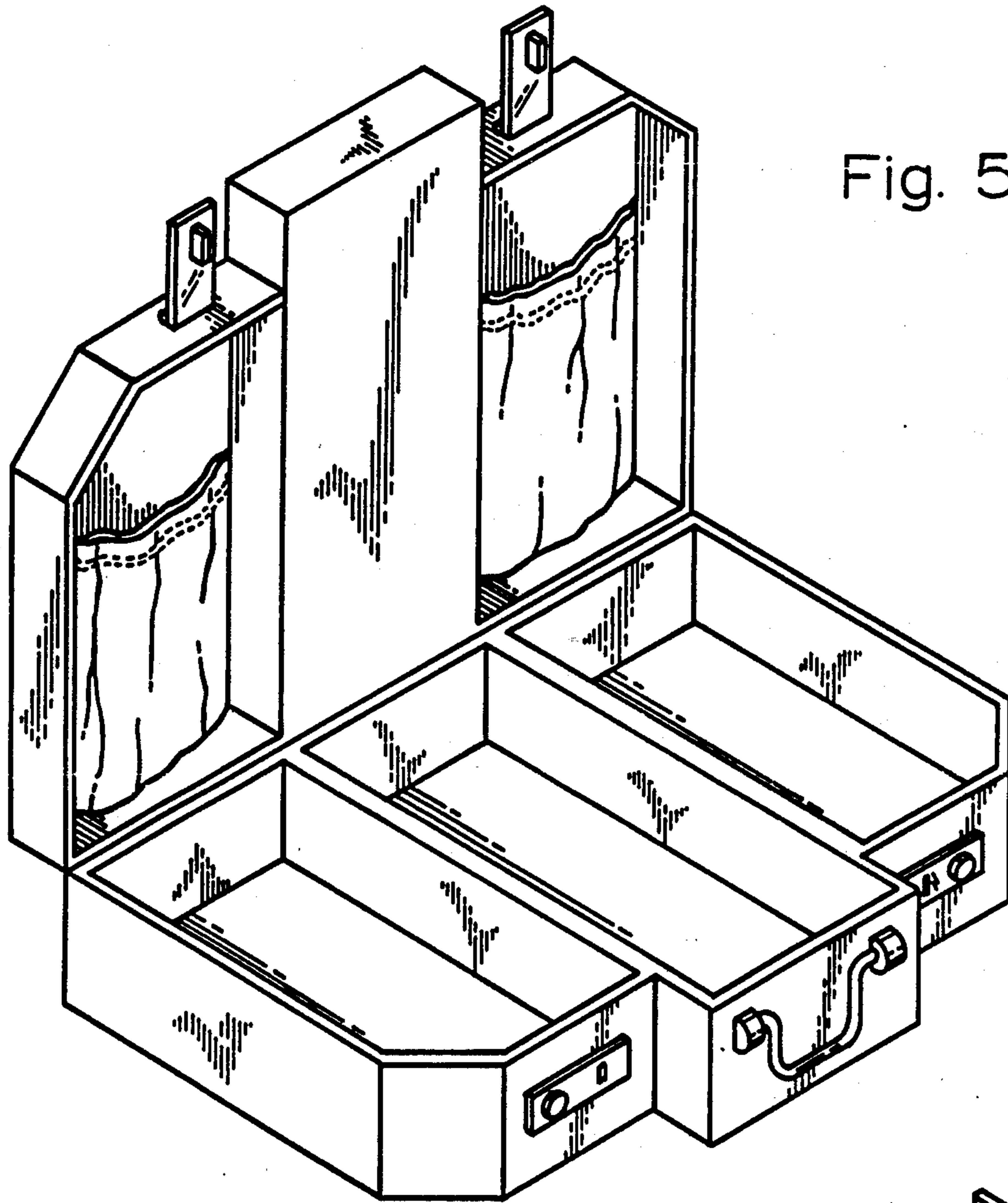


Fig. 5

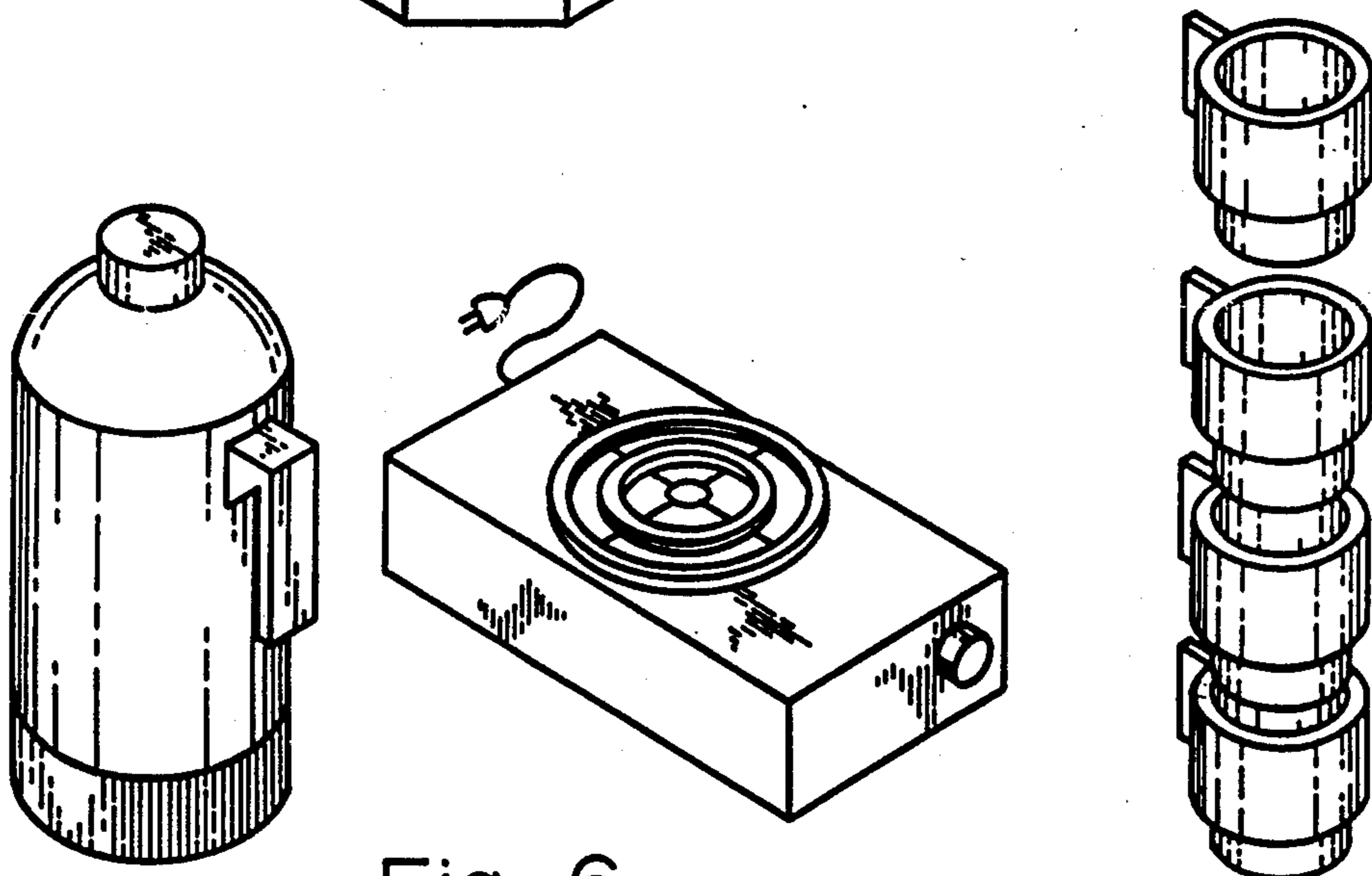


Fig. 6