

[54] **OVEN PAN OR THE LIKE**

[75] **Inventors: Augusto A. Picozza, Johnston, R.I.;
Robert H. C. M. Daenen, Hekelgem,
Belgium**

[73] **Assignee: Dart Industries Inc., Deerfield, Ill.**

[**] **Term: 14 Years**

[21] **Appl. No.: 783,975**

[22] **Filed: Oct. 3, 1985**

[52] **U.S. Cl. D7/359; D7/409**

[58] **Field of Search D7/21, 409, 408, 388,
D7/359, 323, 354**

[56] **References Cited**

U.S. PATENT DOCUMENTS

- D. 229,532 12/1973 Colato et al. D7/409
- D. 257,115 9/1980 Anderson D7/359

- D. 268,981 5/1983 Monson D7/359
- D. 279,539 7/1985 Gerber D7/359
- D. 287,559 1/1987 Daenen et al. D7/21
- 3,994,212 11/1976 Wong D7/359 X

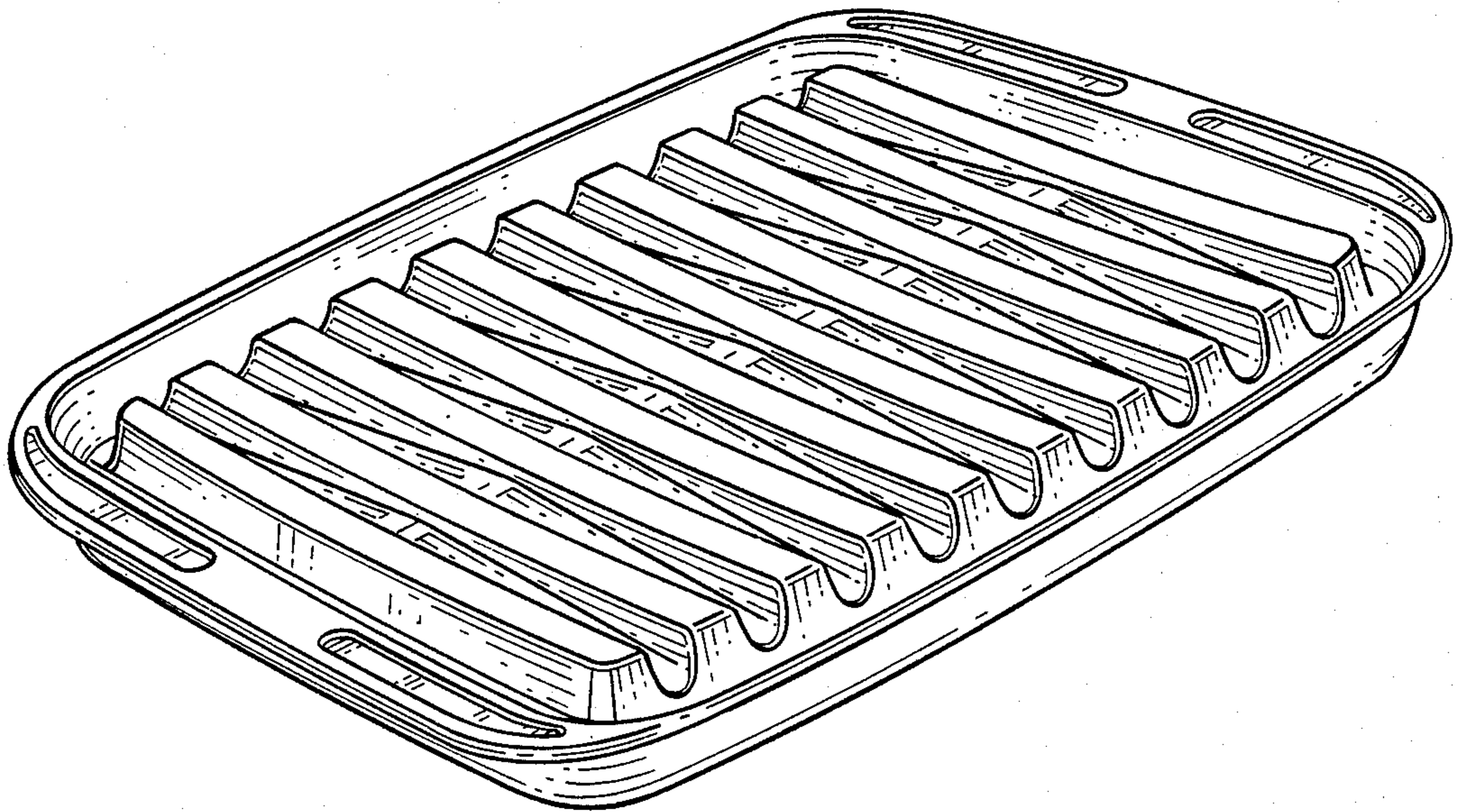
Primary Examiner—Winifred E. Herrmann
Attorney, Agent, or Firm—John A. Doninger

[57] **CLAIM**

The ornamental design for an oven pan or the like, as shown.

DESCRIPTION

FIG. 1 is a top perspective view of an oven pan or the like showing our new design;
FIG. 2 is a side elevational view thereof;
FIG. 3 is an end elevational view thereof;
FIG. 4 is a top plan view thereof;
FIG. 5 is a bottom plan view thereof; and
FIG. 6 is a crosse-sectional view taken along line 6—6 of FIG. 4.



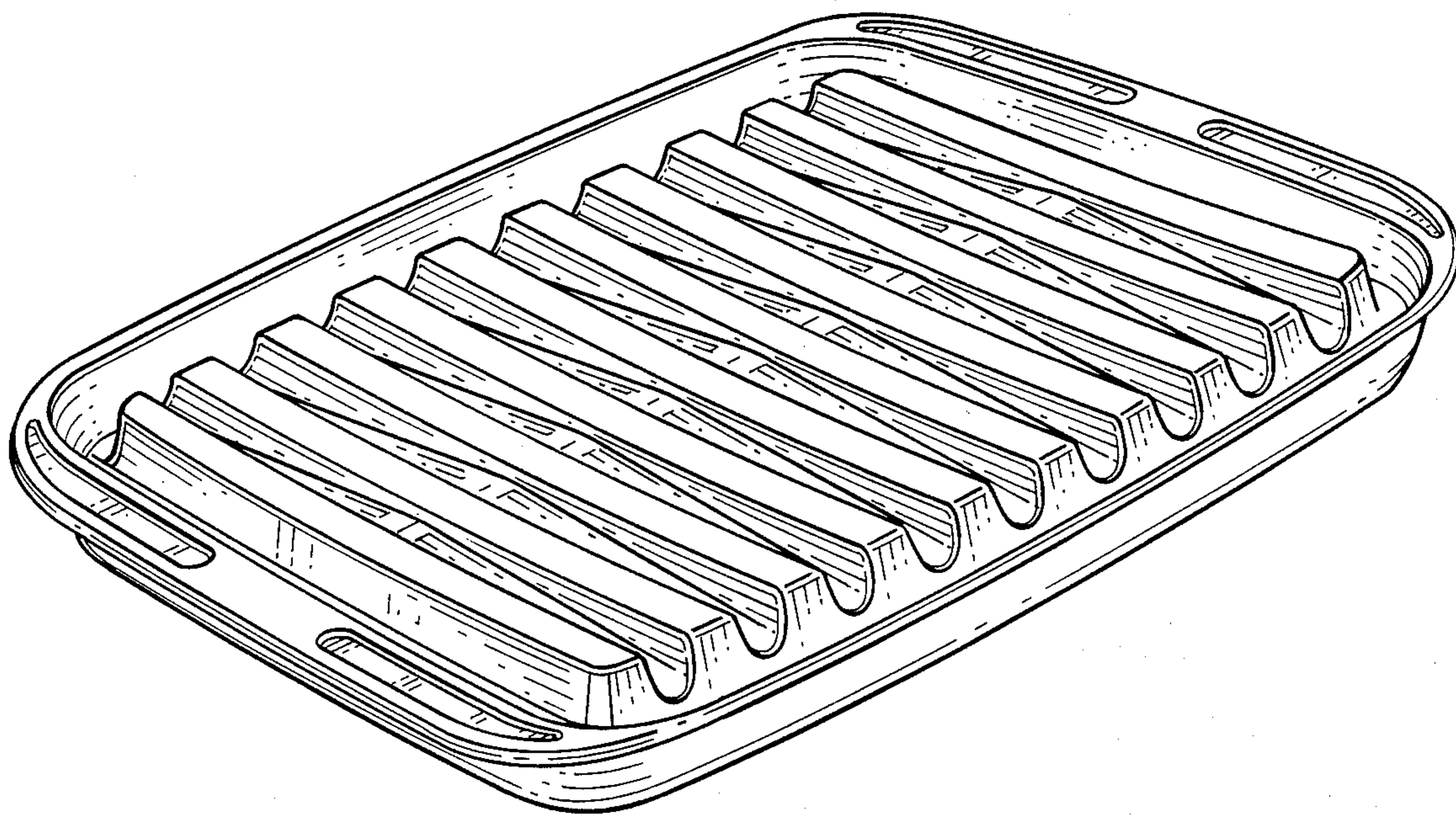


FIG. 1

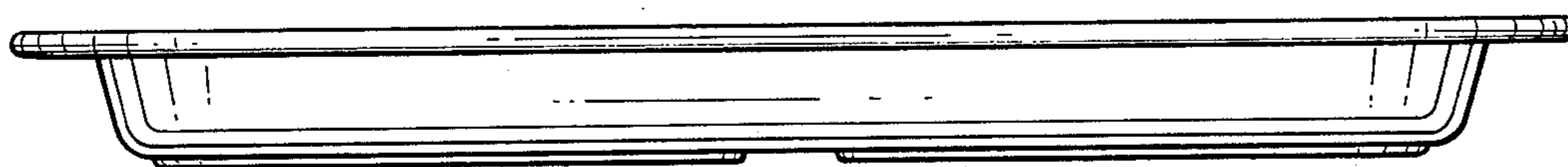


FIG. 2

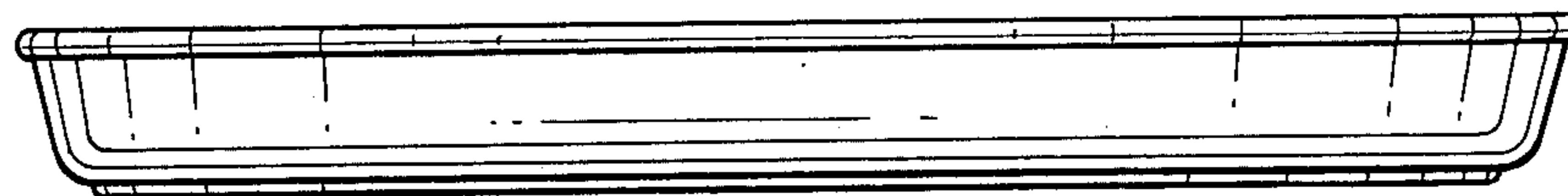


FIG. 3

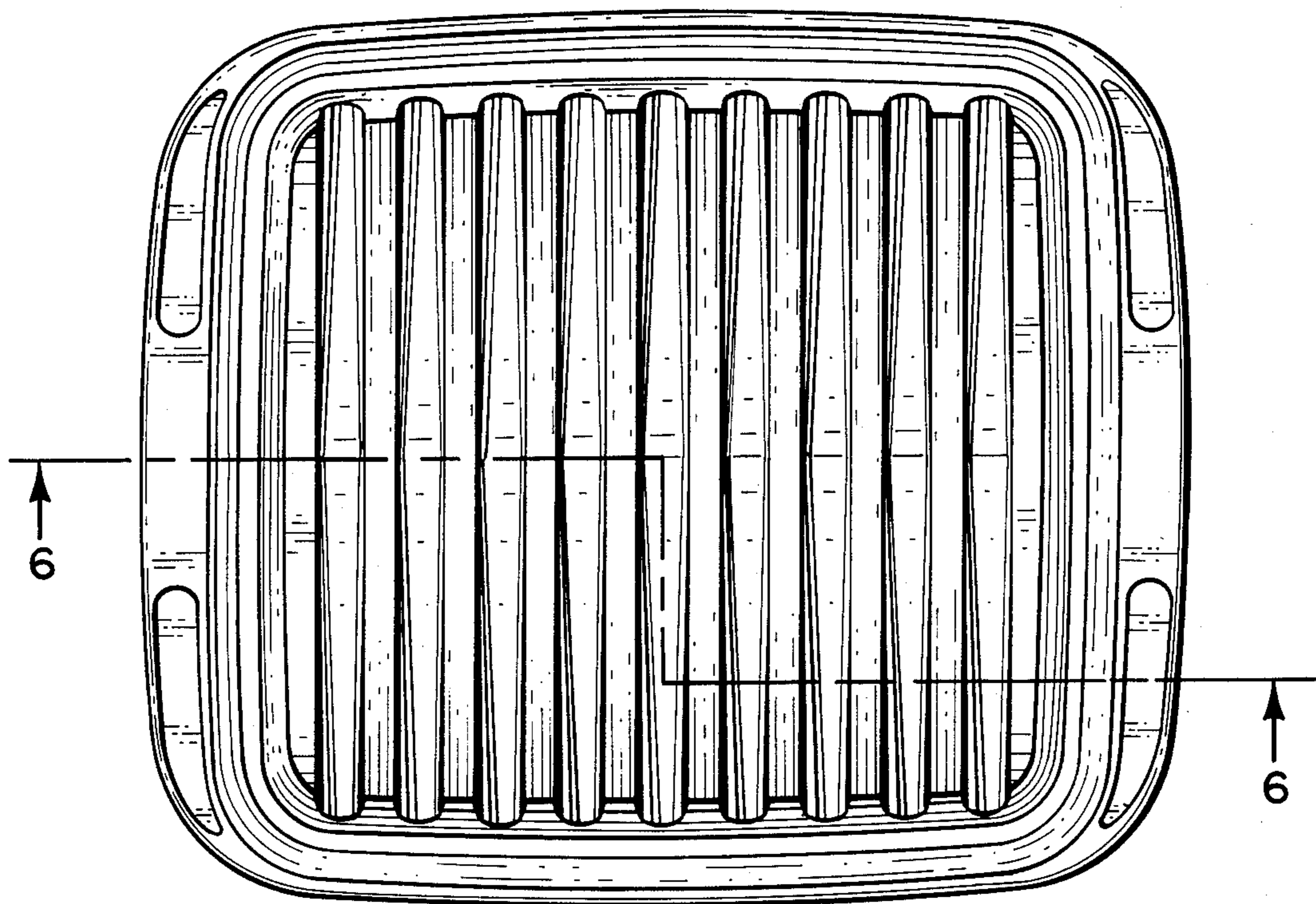


FIG. 4

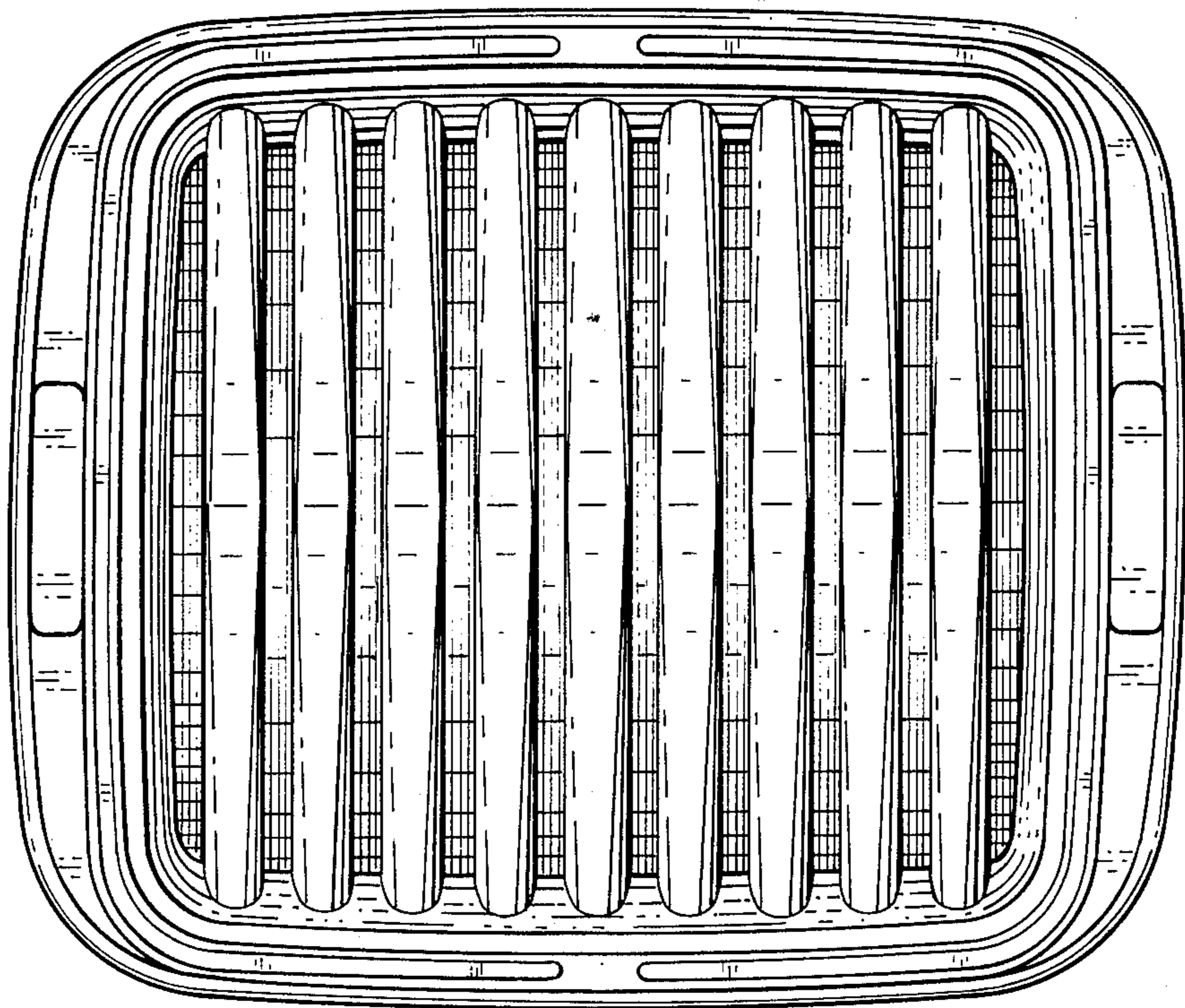


FIG. 5

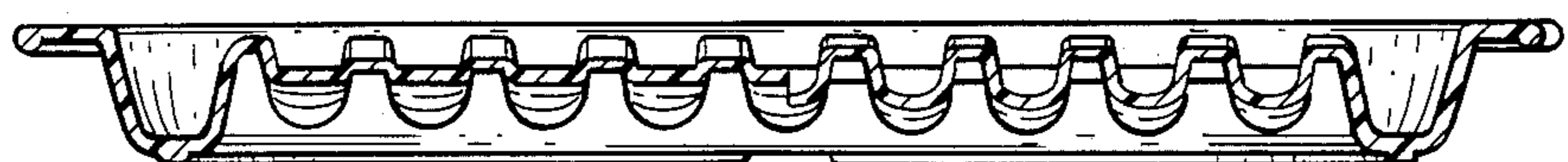


FIG. 6