

United States Patent [19]

Ansel

[11] Patent Number: **Des. 297,391**

[45] Date of Patent: **** Aug. 30, 1988**

[54] **TOASTER**

[75] Inventor: **Pierre Ansel, Vagney, France**

[73] Assignee: **SEB, Selongey, France**

[**] Term: **14 Years**

[21] Appl. No.: **815,032**

[22] Filed: **Dec. 31, 1985**

[30] **Foreign Application Priority Data**

Jul. 3, 1985 [FR] France 85 3167

[52] U.S. Cl. **D7/330**

[58] Field of Search **D7/328, 329, 330, 350,
D7/323; 99/329 RT, 326, 327, 391, 385, 389,
400**

[56] **References Cited**

U.S. PATENT DOCUMENTS

D. 187,836 5/1960 Moore D7/330

D. 226,242 1/1973 Weiss D7/330
D. 270,223 8/1983 Miyake et al. D7/330
3,452,670 7/1969 Huck et al. 99/391 X
4,345,513 8/1982 Holt D7/330 X

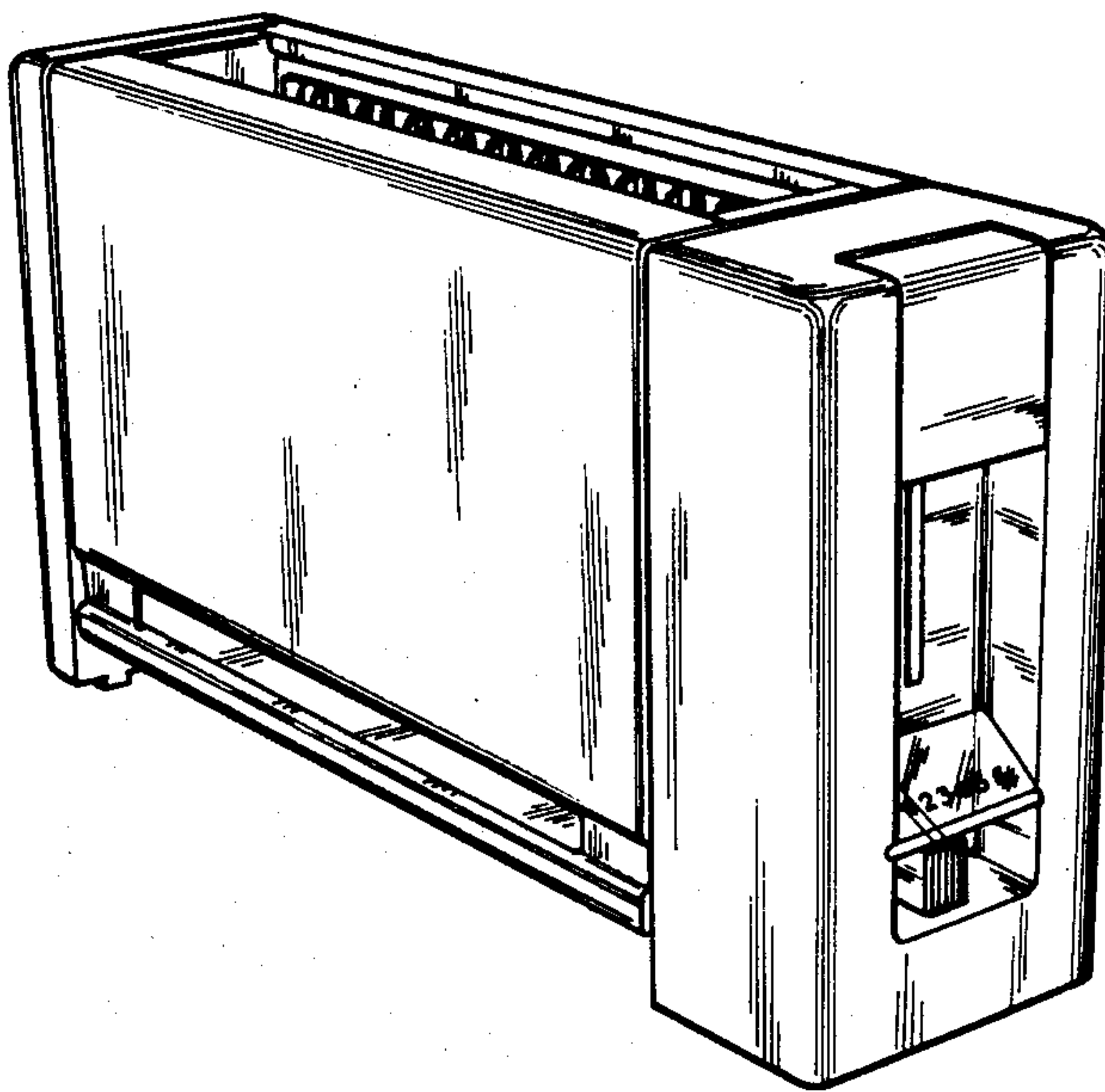
Primary Examiner—Winifred E. Herrmann
Attorney, Agent, or Firm—Young & Thompson

[57] **CLAIM**

The ornamental design for a toaster, as shown and described.

DESCRIPTION

FIG. 1 is a front elevational view of a toaster showing my new design;
FIG. 2 is a rear elevational view thereof;
FIG. 3 is a right side elevational view thereof;
FIG. 4 is a left side elevational view thereof;
FIG. 5 is a top plan view thereof;
FIG. 6 is a bottom plan view thereof;
FIG. 7 is a top, front, and right side perspective view thereof.



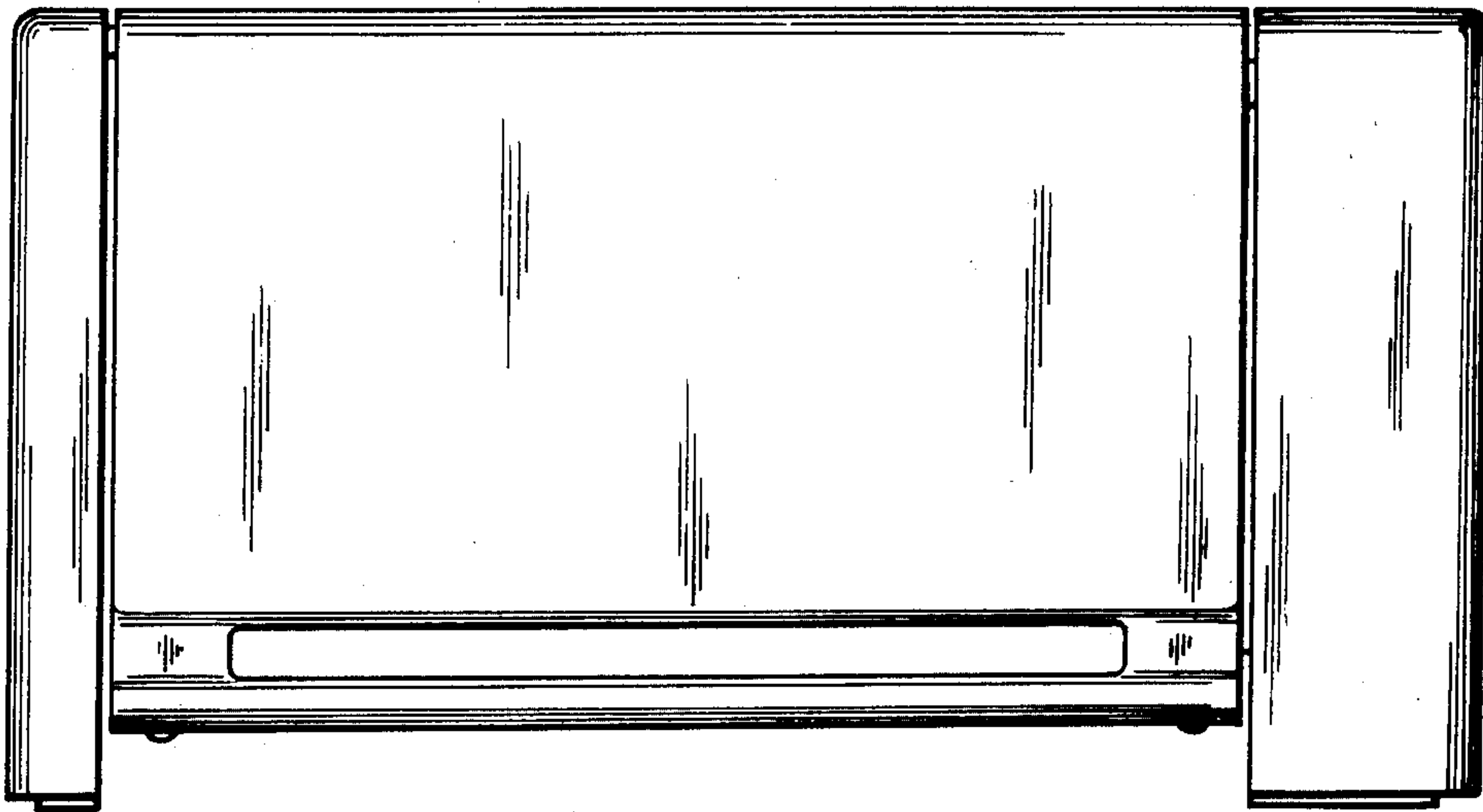


FIG. 1

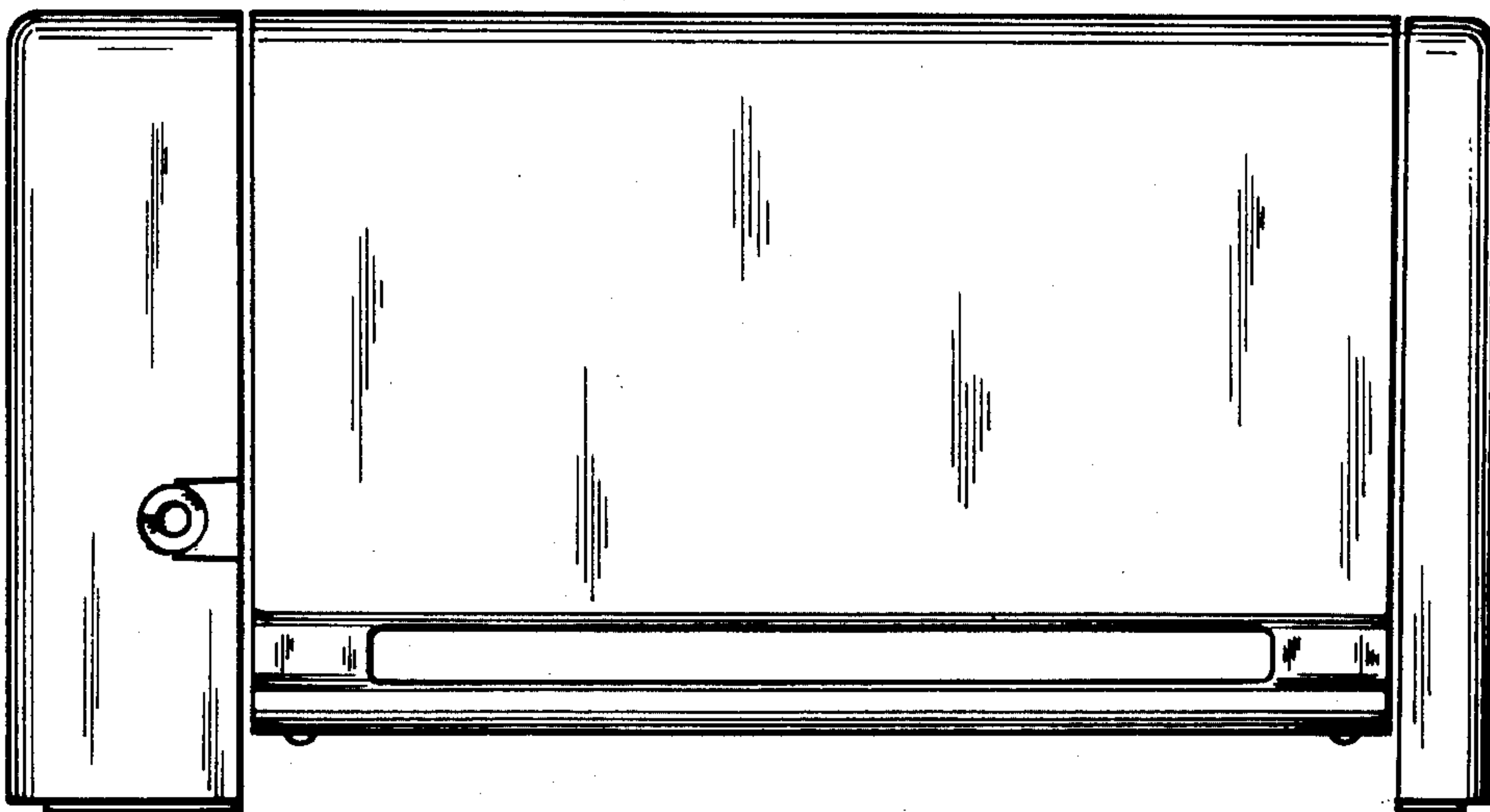


FIG. 2

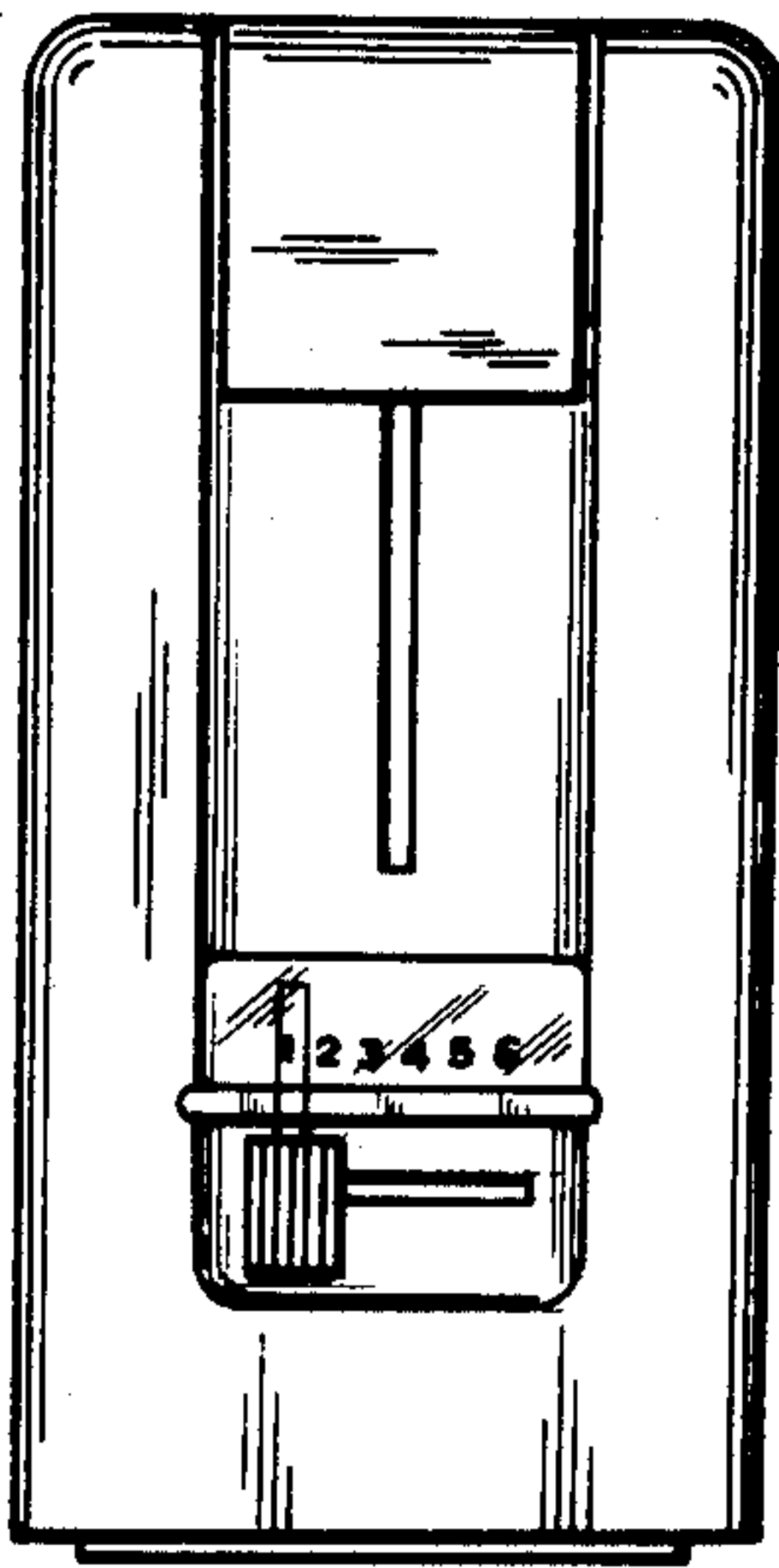


FIG. 3

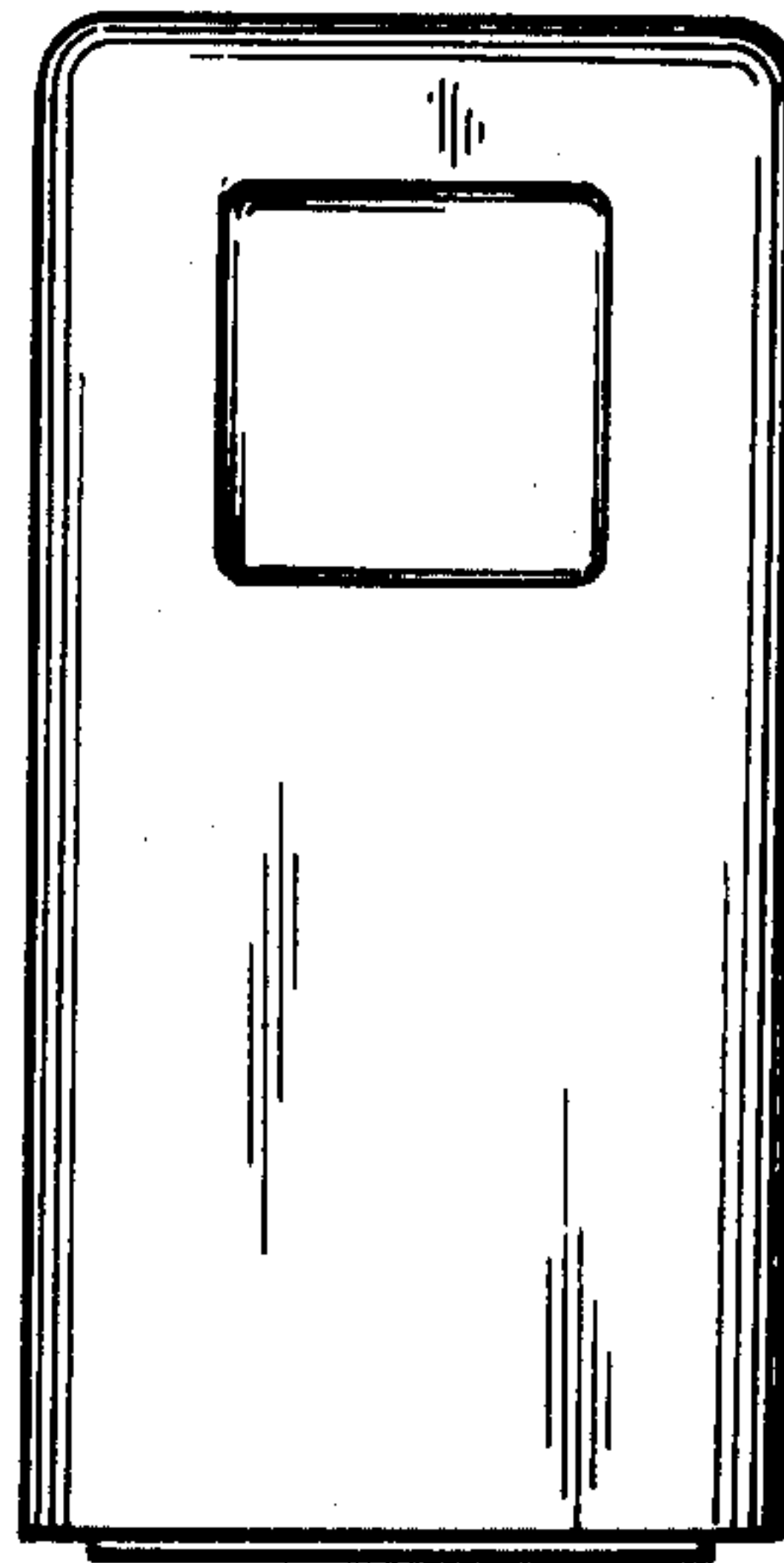


FIG. 4

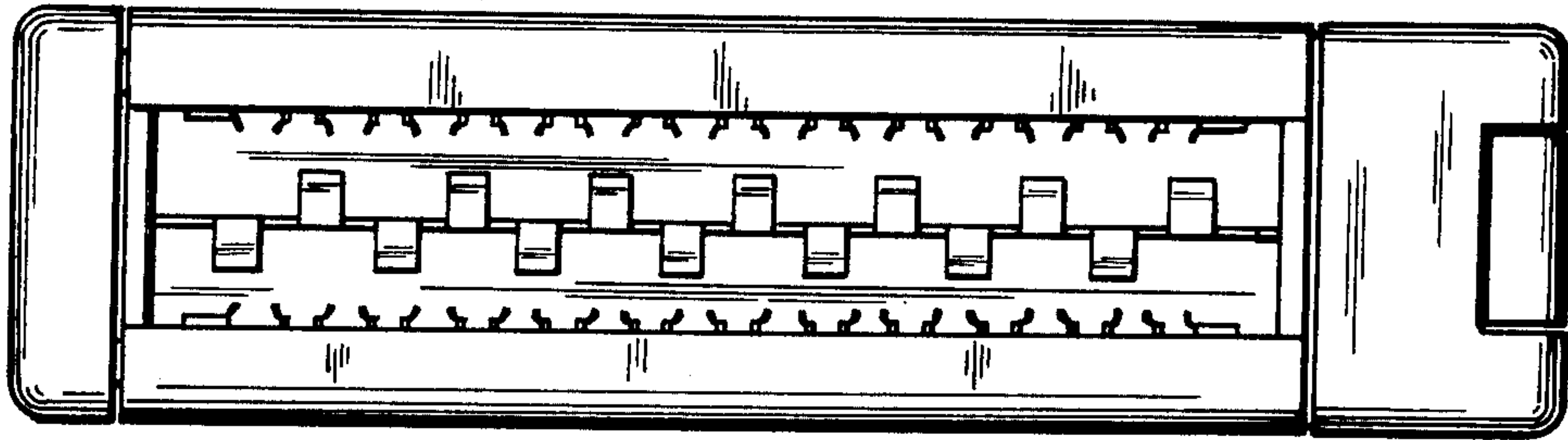


FIG. 5

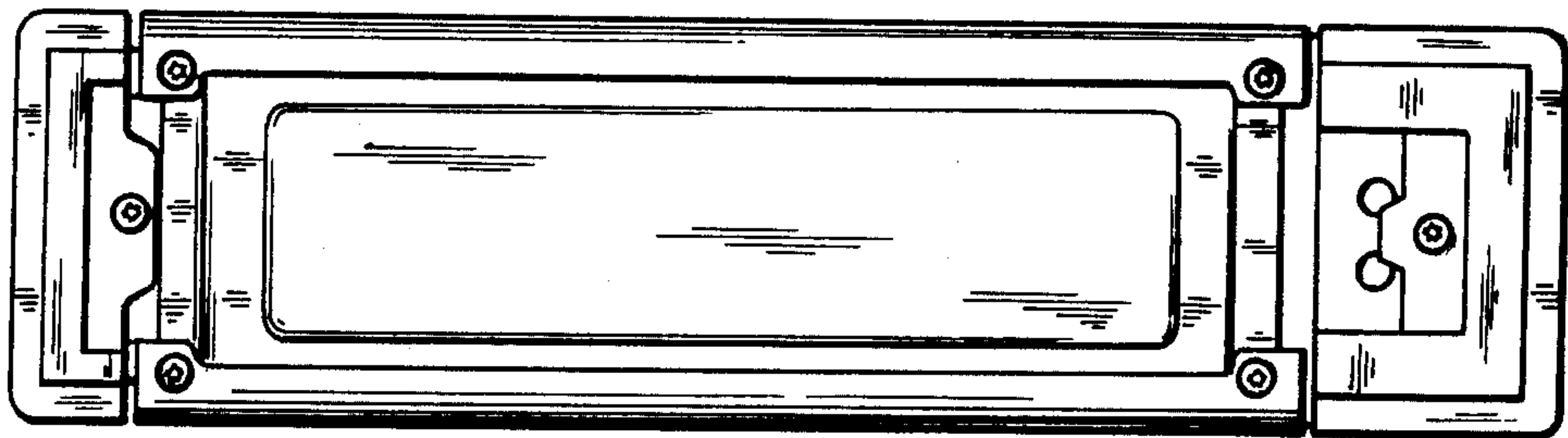


FIG. 6

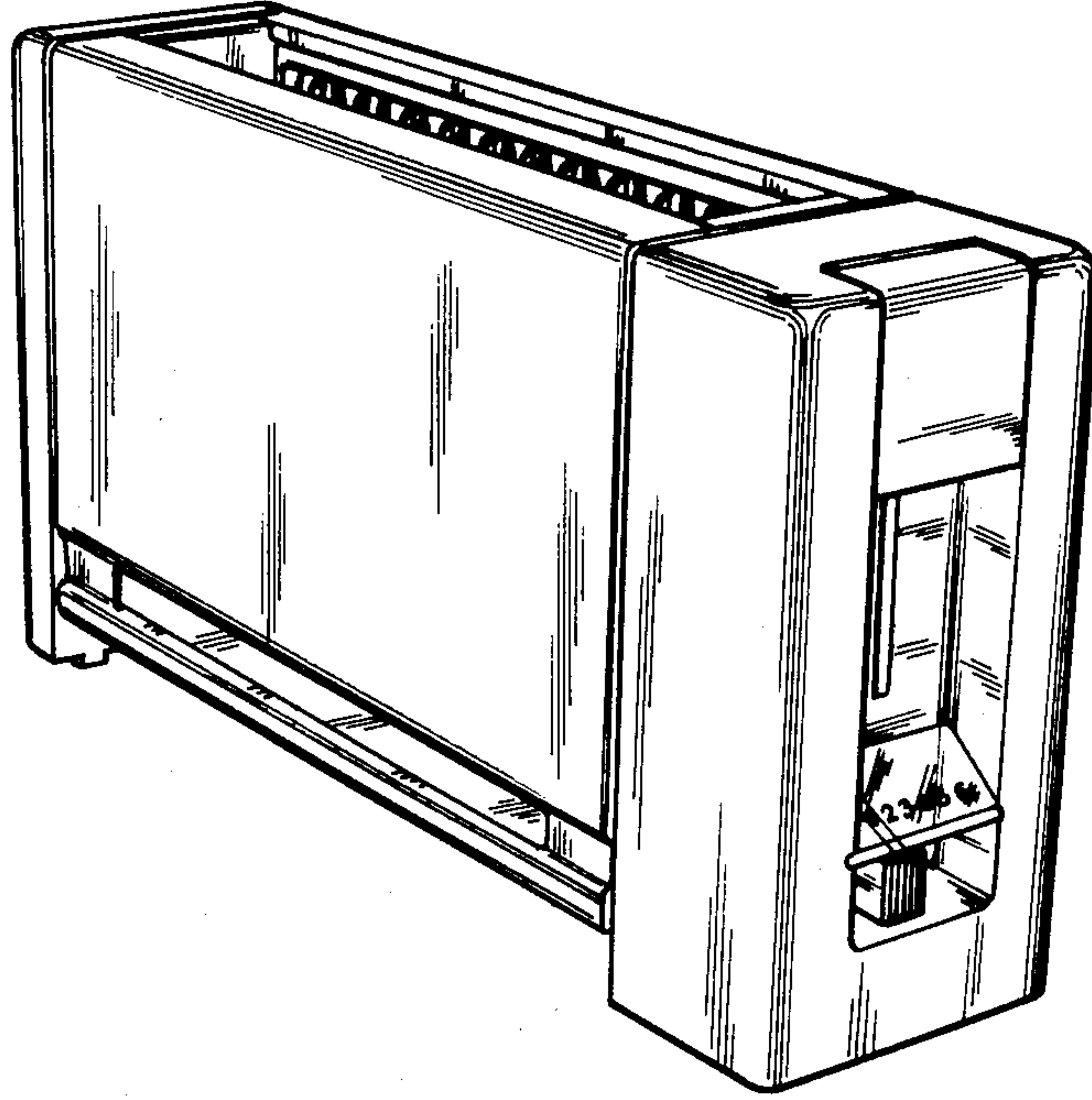


FIG. 7