

[54] SPATULA ATTACHMENT FOR ELECTRIC KNIFE DRIVE UNIT

[76] Inventor: Stephan M. Fehrmann, 180 Elizabeth Dr., Marblehead, Ohio 43440

[**] Term: 14 Years

[21] Appl. No.: 827,263

[22] Filed: Feb. 7, 1986

[52] U.S. Cl. D7/102

[58] Field of Search D7/102, 99; 294/7, 8

[56] References Cited

U.S. PATENT DOCUMENTS

D. 237,033 10/1975 Oppenheimer D7/102

Primary Examiner—Bernard Ansher

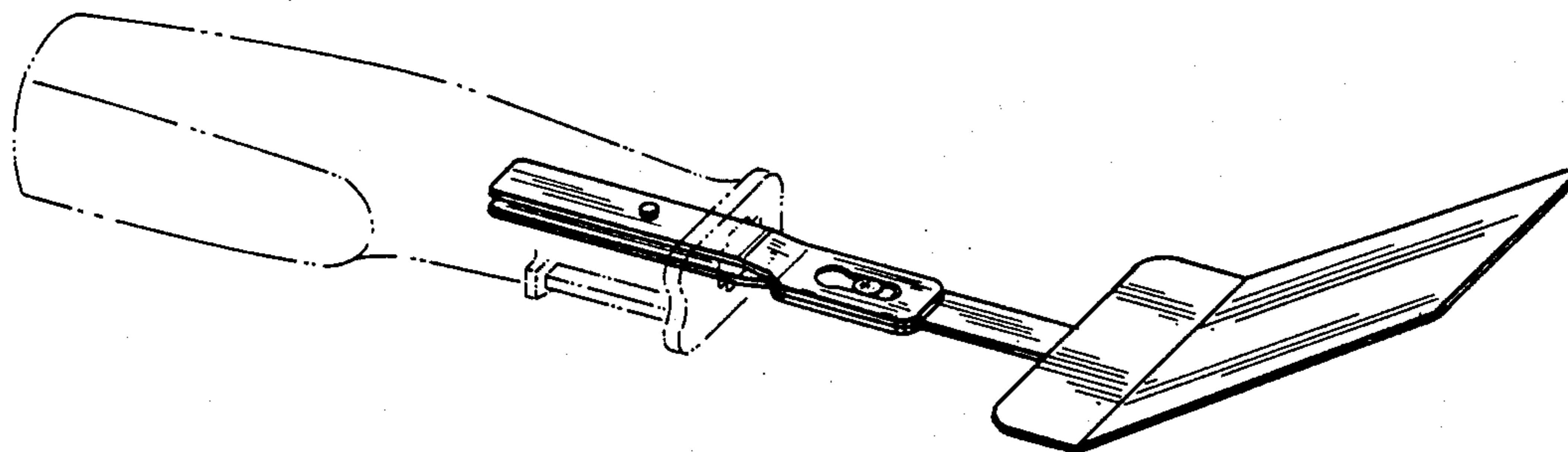
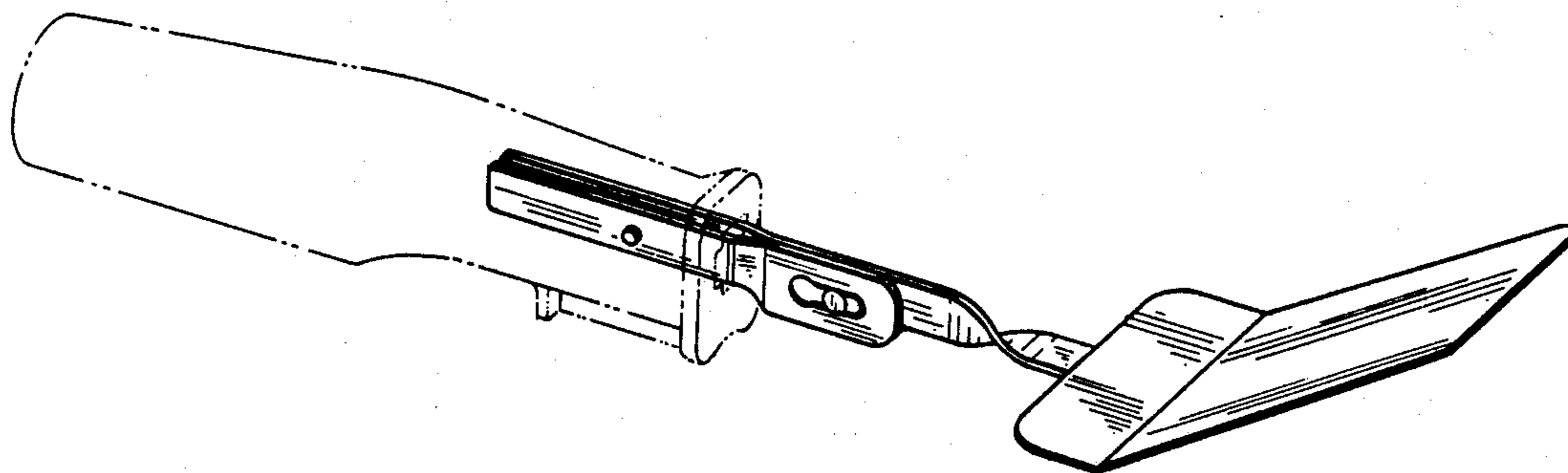
Assistant Examiner—Terry Pfeffer
Attorney, Agent, or Firm—Richard C. Darr

[57] CLAIM

The ornamental design for a spatula attachment for electric knife drive unit, as shown and described.

DESCRIPTION

FIG. 1 is a perspective view of a spatula attachment for electric knife drive unit showing my new design; FIG. 2 is a left side elevational view thereof; FIG. 3 is a top plan view thereof; FIG. 4 is a perspective view of a second embodiment of that shown in FIG. 1; FIG. 5 is a left side elevational view of FIG. 4; and FIG. 6 is a bottom plan view of FIG. 4. The handles in FIGS. 1 and 4 are shown in broken line for illustrative purpose only.



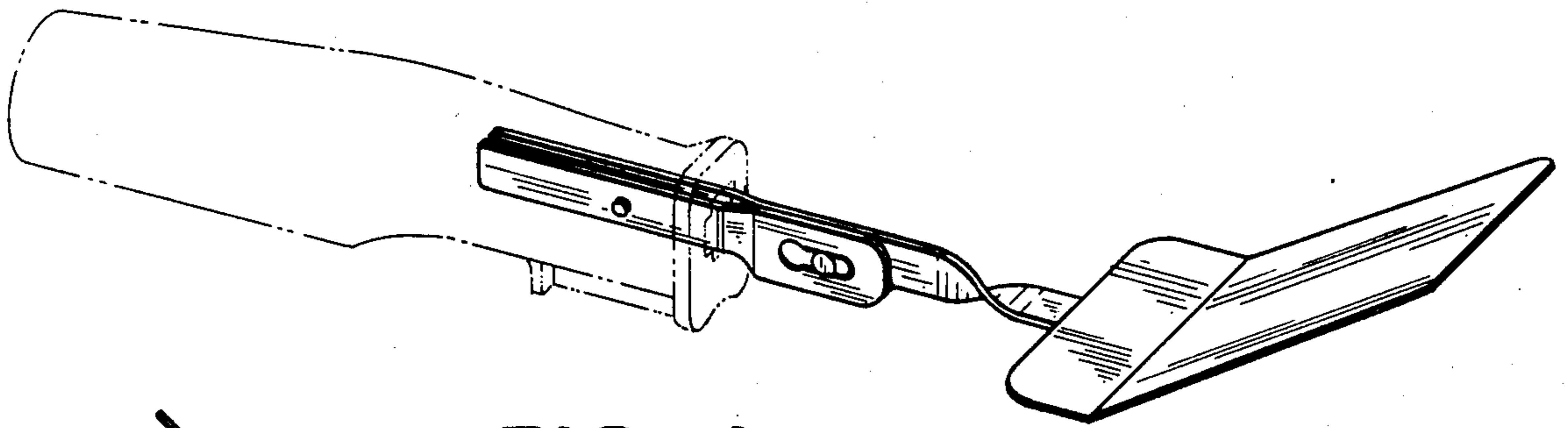


FIG. 1

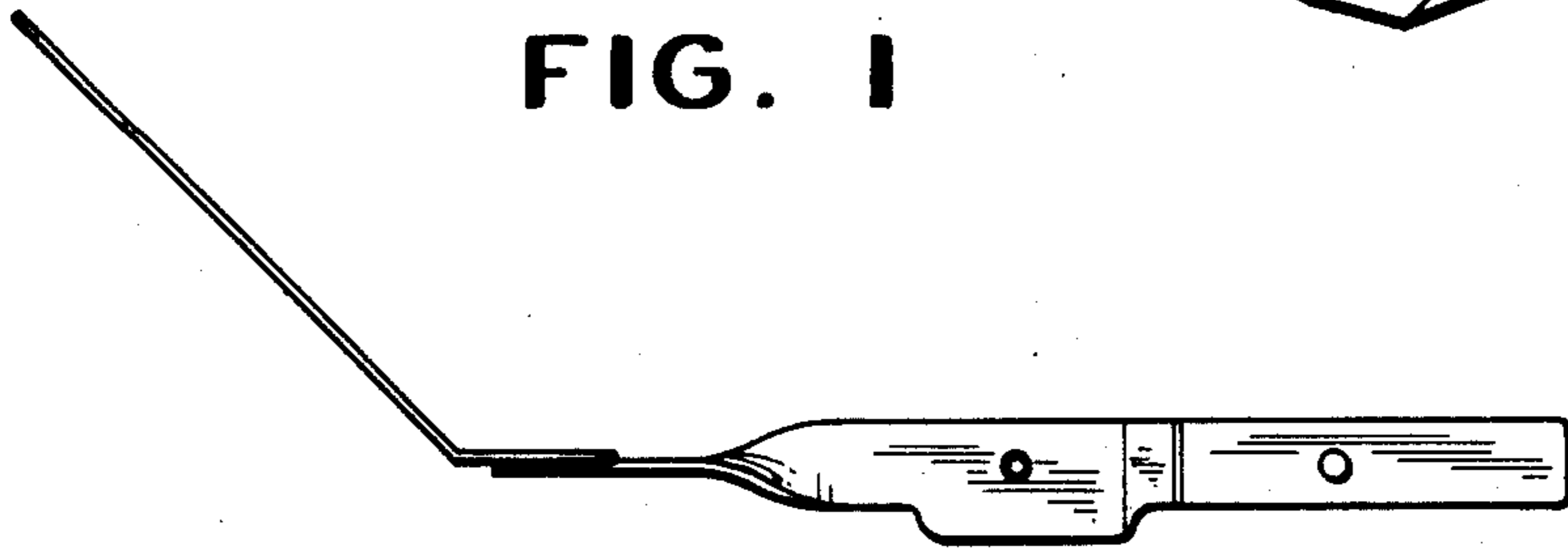


FIG. 2

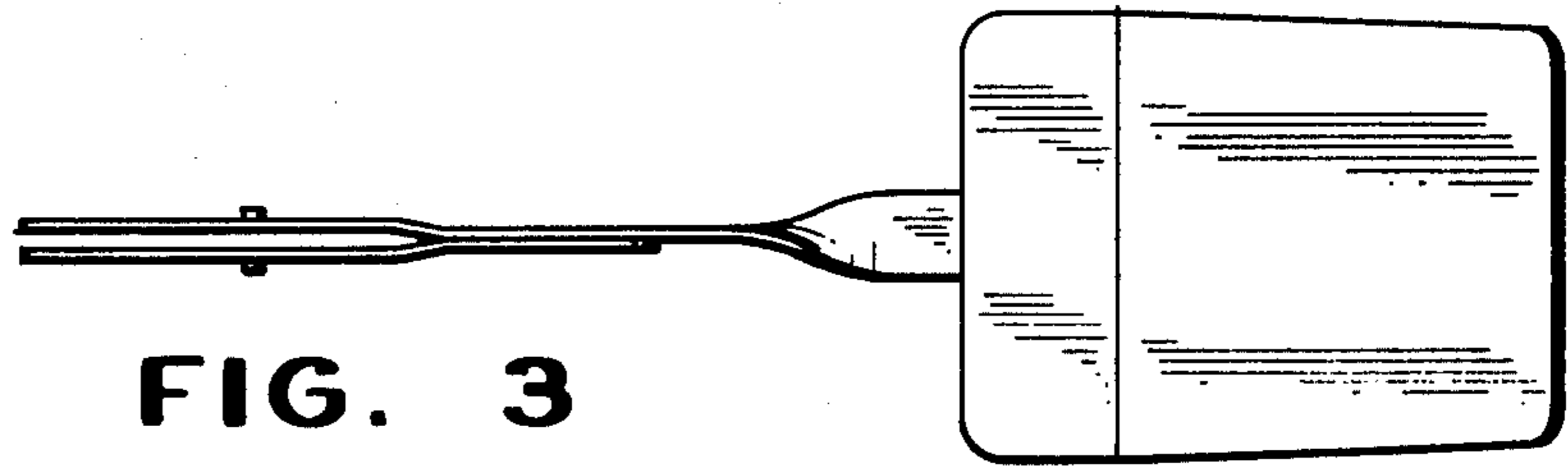


FIG. 3

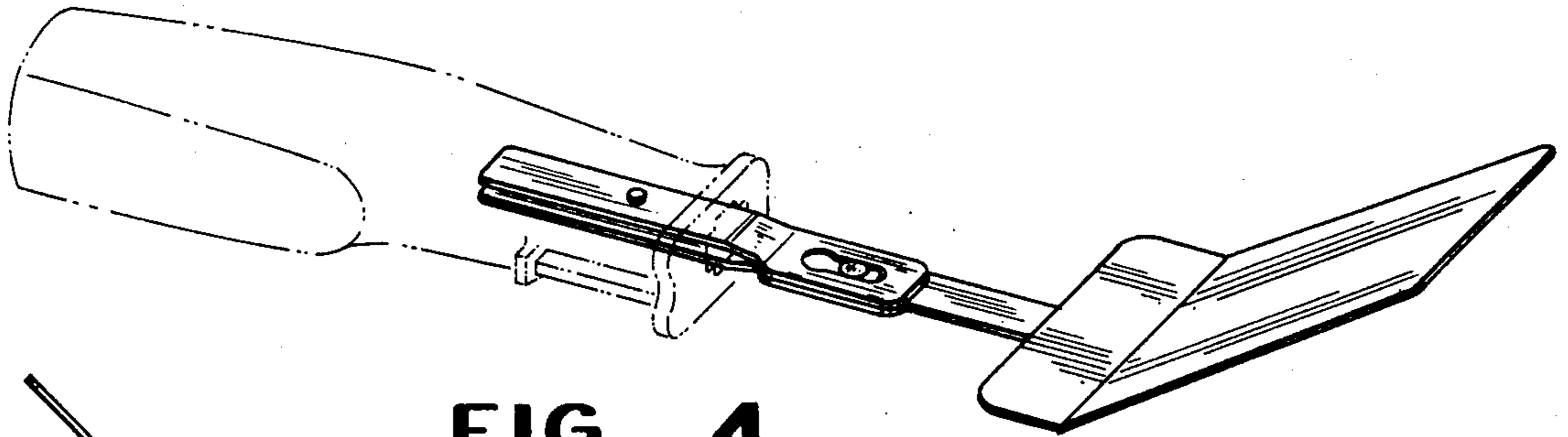


FIG. 4

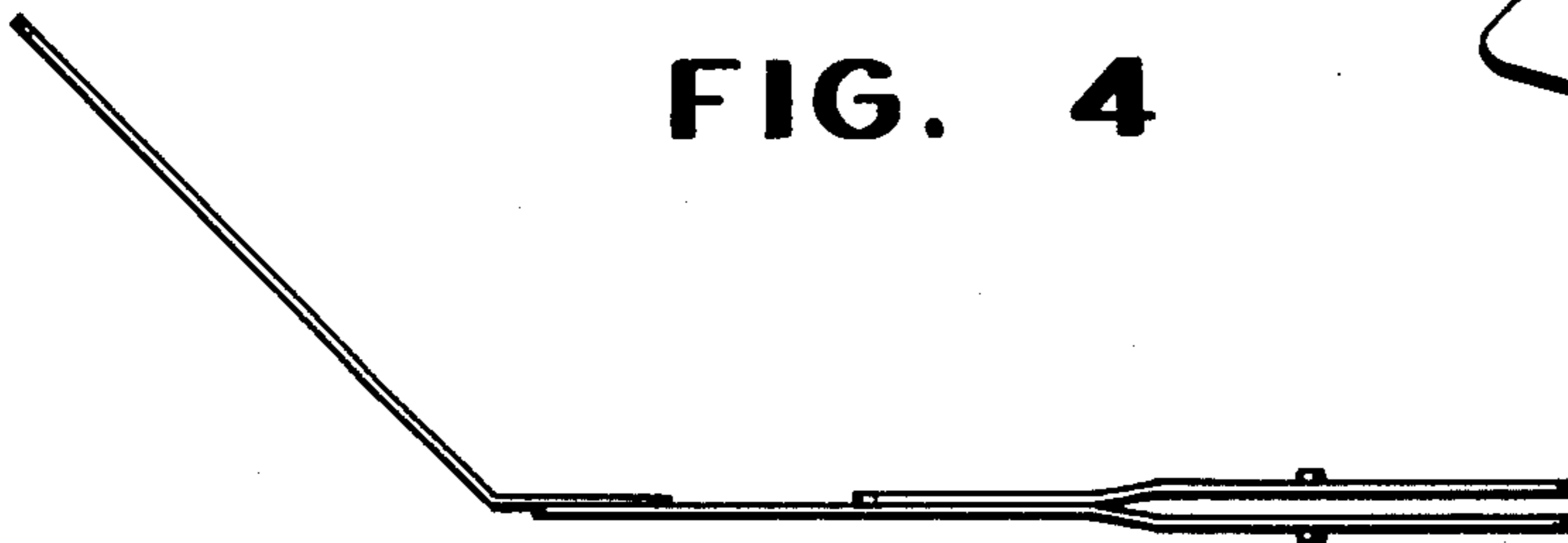


FIG. 5

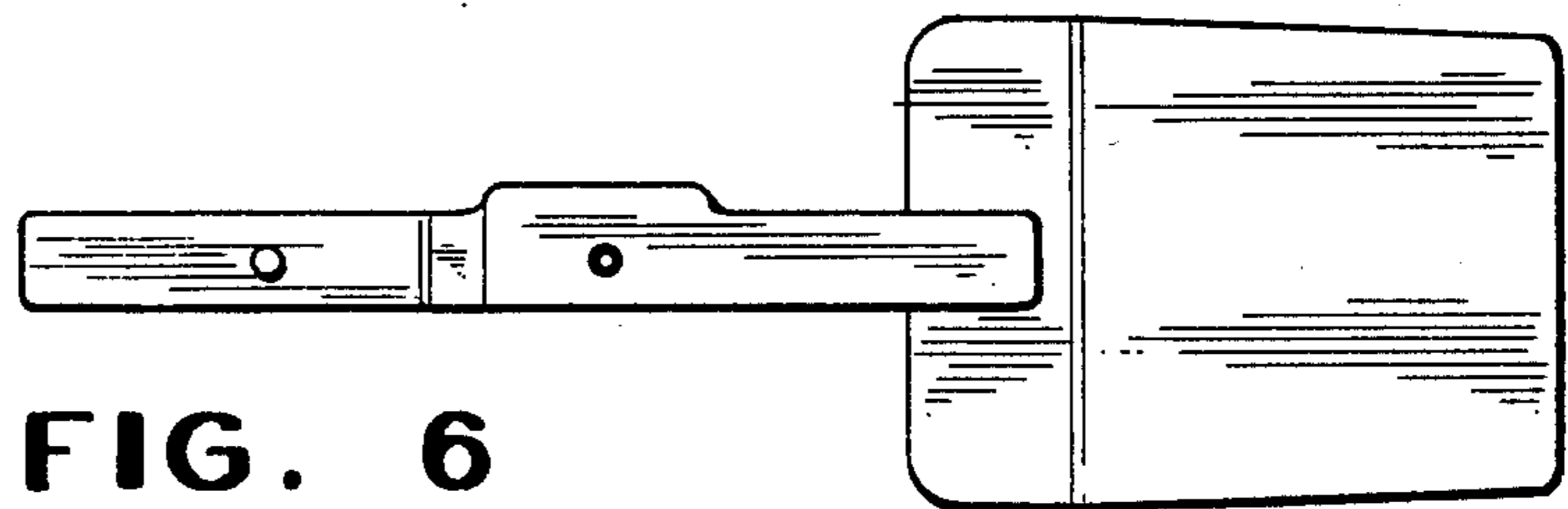


FIG. 6