

[54] FURNITURE SUPPORT BASE OR SIMILAR ARTICLE

[76] Inventor: Scott Glendinning, 5551 Doyle St., #2, Emeryville, Calif. 94608

[**] Term: 14 Years

[21] Appl. No.: 850,401

[22] Filed: Apr. 7, 1986

[52] U.S. Cl. D6/495; D6/449; D6/474; D6/480; D6/482; D6/485

[58] Field of Search D6/310, 449, 466, 468, D6/474, 480, 482, 491, 495, 496; 108/150

[56] References Cited

U.S. PATENT DOCUMENTS

- D. 161,217 12/1950 Silverman D6/485
- D. 164,552 9/1951 Curtis D6/485
- D. 165,776 1/1952 Nelson D6/374
- D. 166,360 4/1952 Shinn D6/482

- D. 166,830 5/1952 Shinn D6/485 X
- D. 171,475 2/1954 Yarger D6/485
- D. 189,246 11/1960 Beck D6/485 X
- D. 206,538 12/1966 Hollander D6/310
- 2,635,023 4/1953 Frye D6/495 X
- 4,321,875 3/1982 Danko 108/150

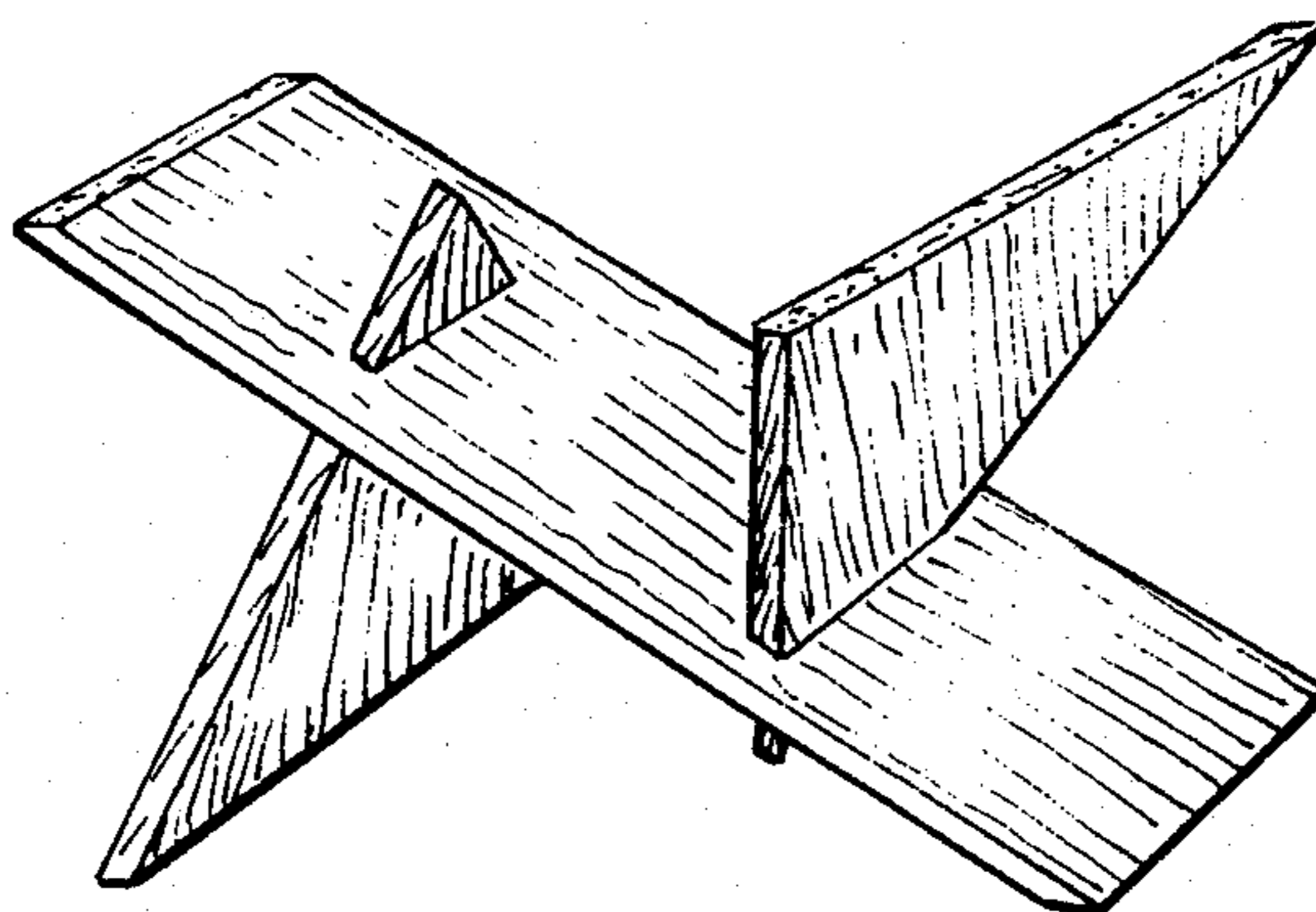
Primary Examiner—Bruce W. Dunkins
Attorney, Agent, or Firm—Bielen & Peterson

[57] CLAIM

The ornamental design for furniture support base or similar article, substantially as shown and described.

DESCRIPTION

FIG. 1 is a top right perspective view of a furniture support base or similar article showing my new design; FIG. 2 is a top plan view; FIG. 3 is a front elevational view, the rear elevational view being identical thereto; FIG. 4 is left side elevational view; FIG. 5 is a right side elevational view; and FIG. 6 is a bottom plan view.



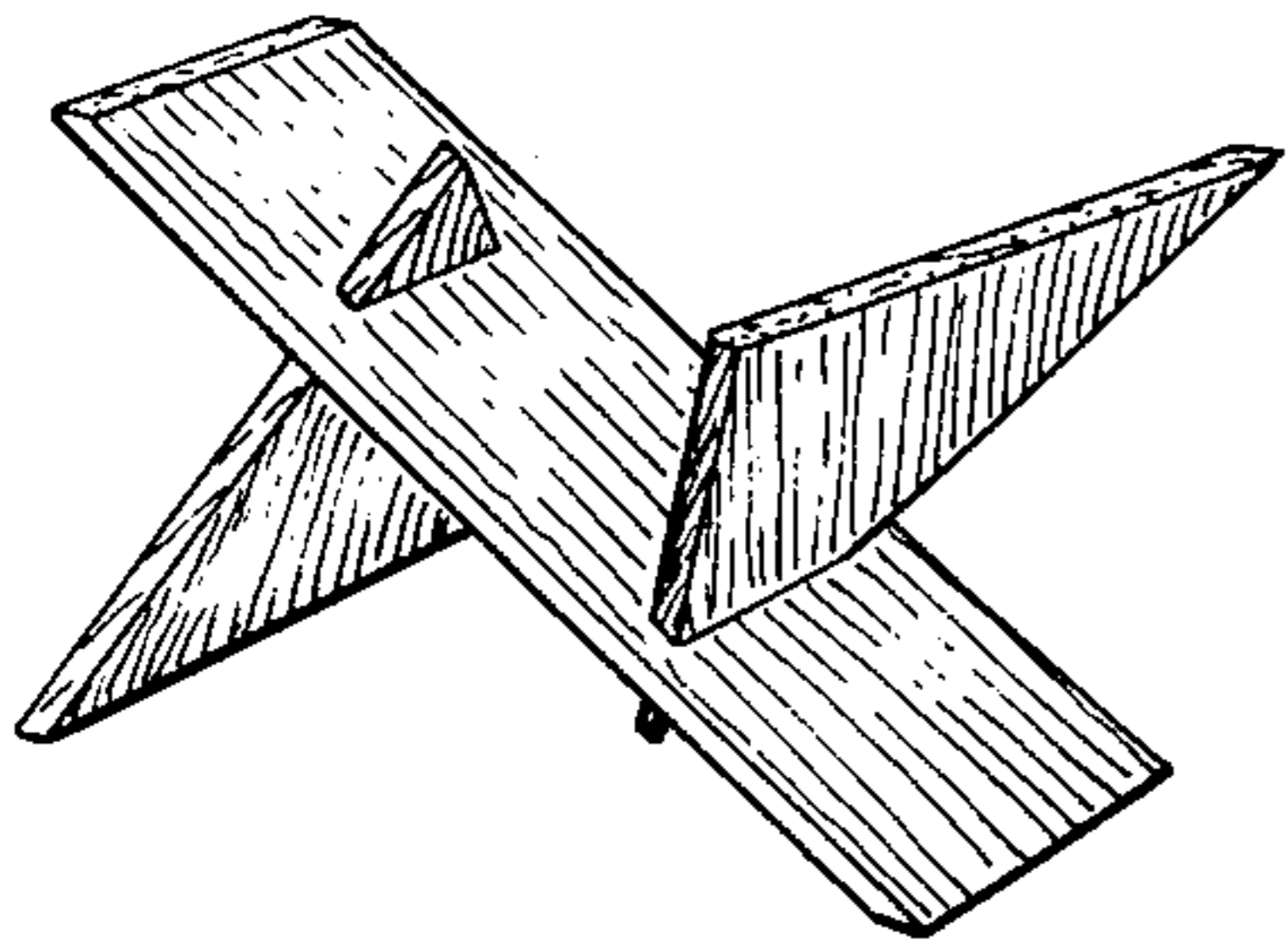


FIG. 1.

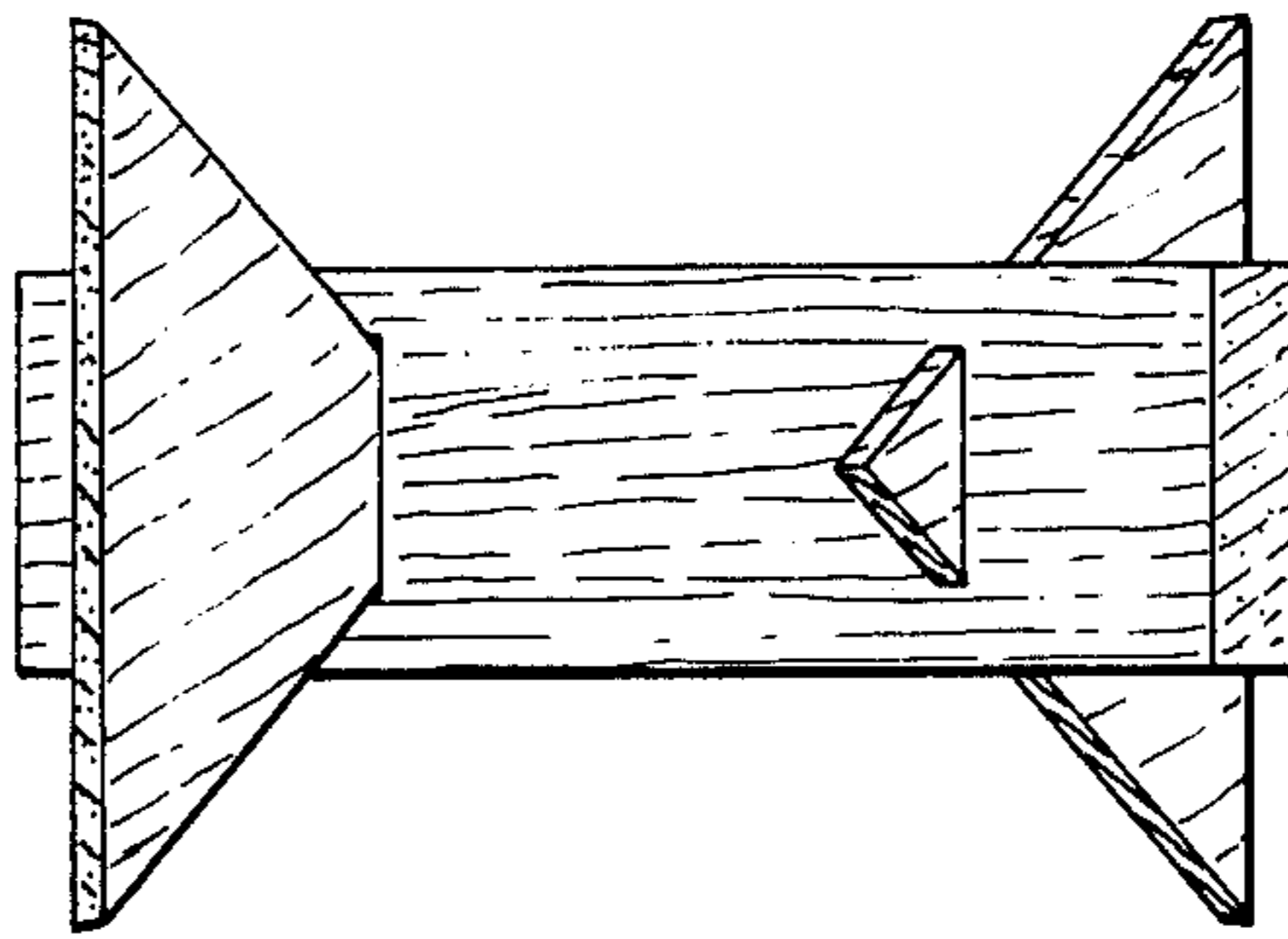


FIG. 2.

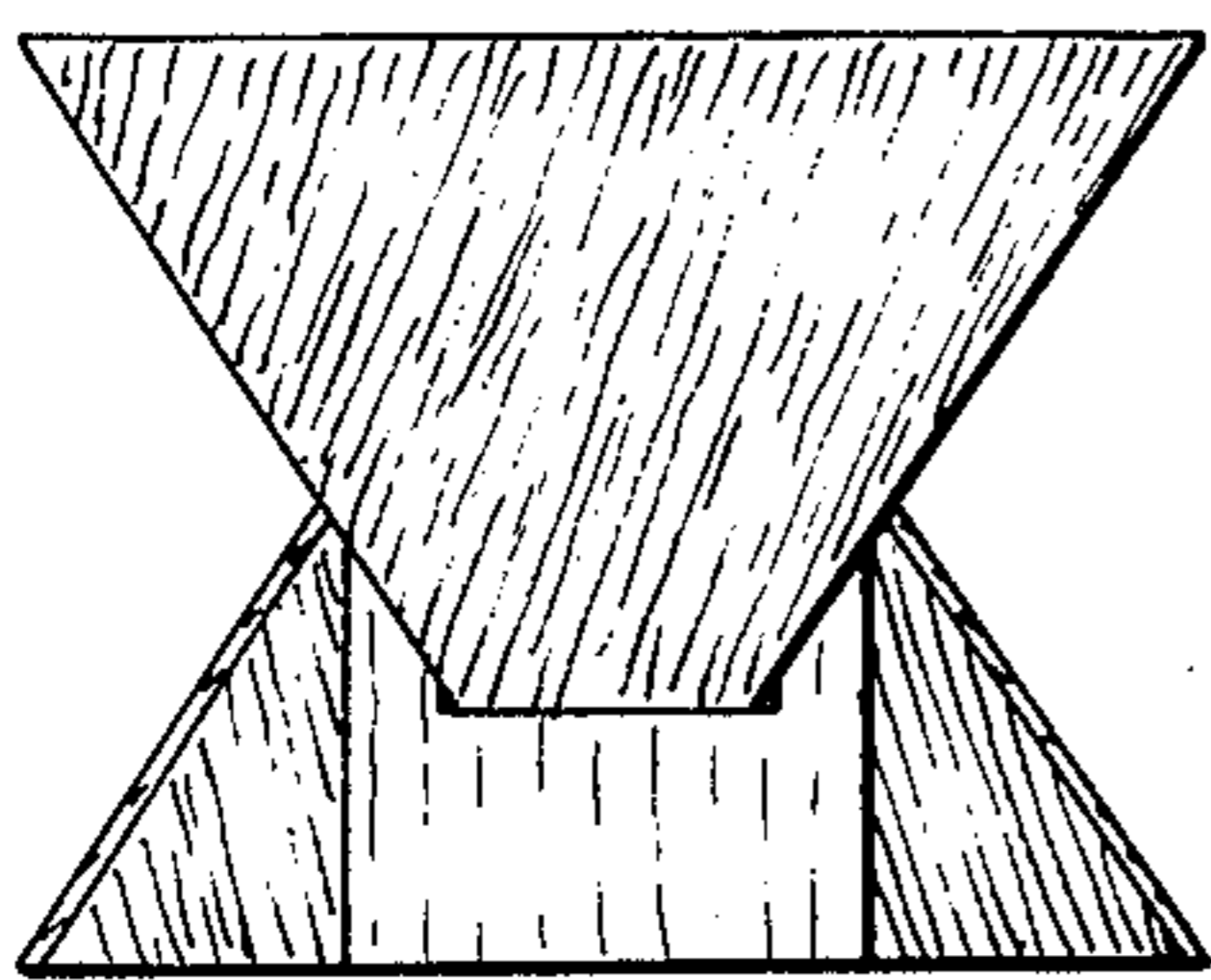


FIG. 5.

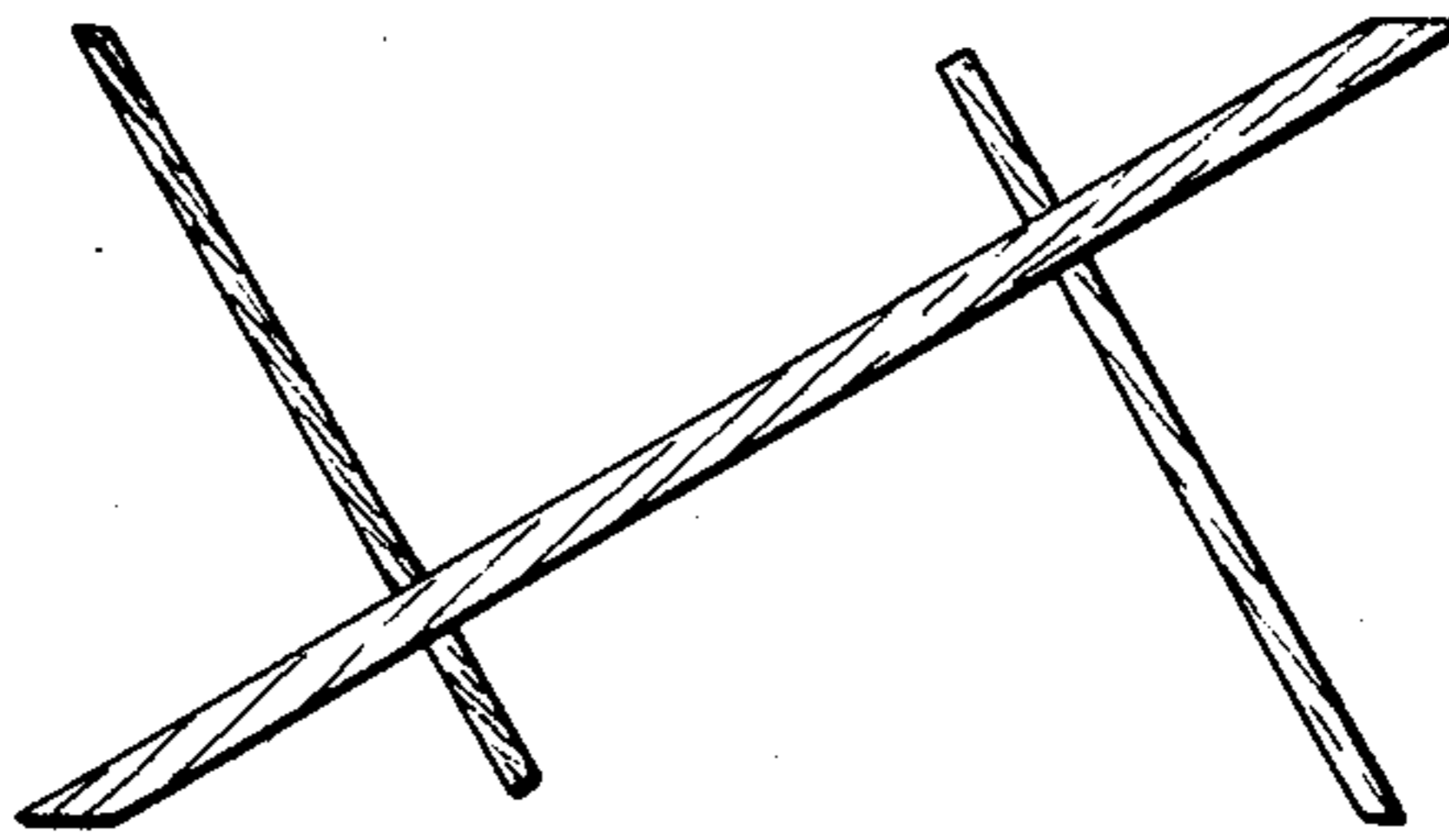


FIG. 3.

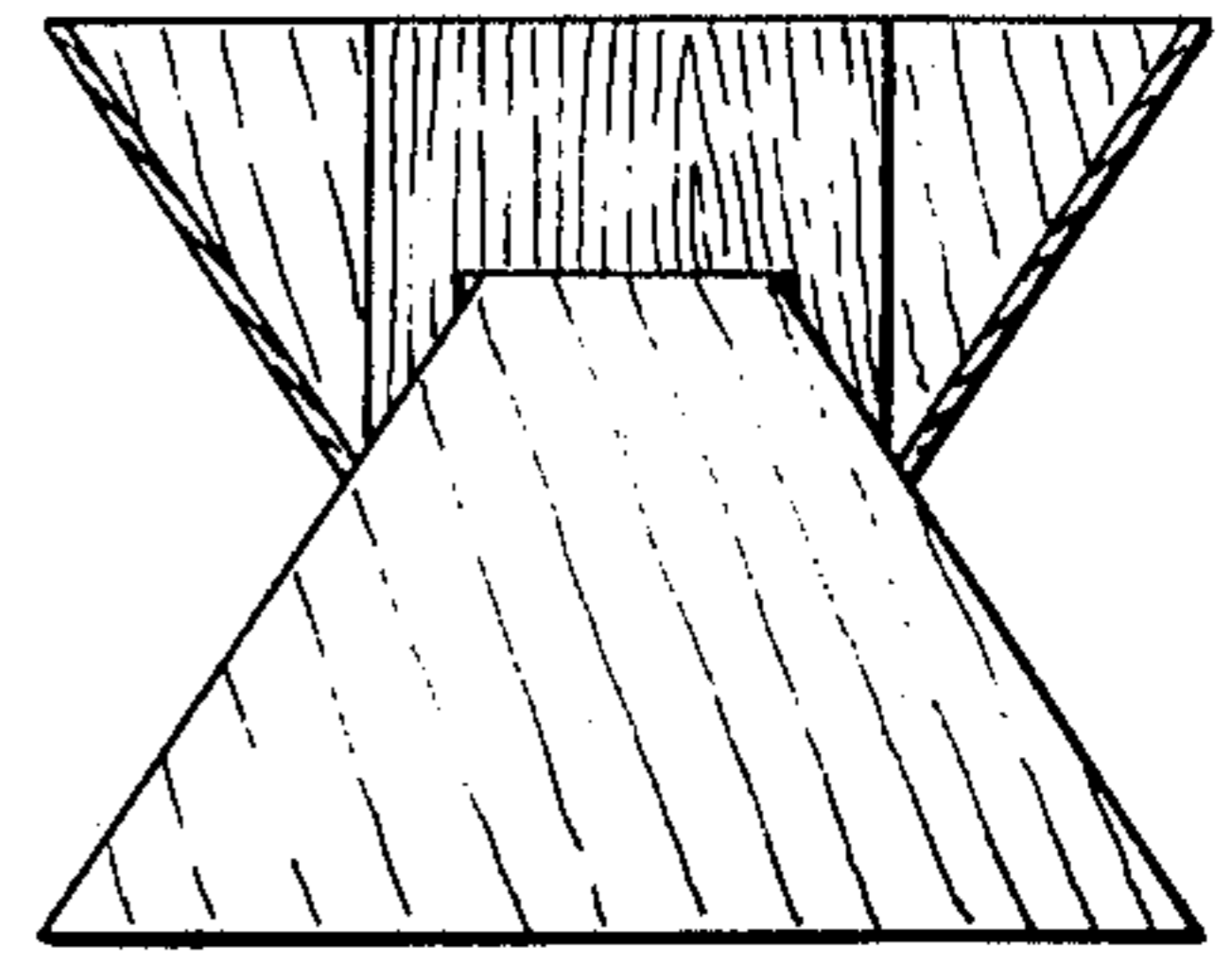


FIG. 4.

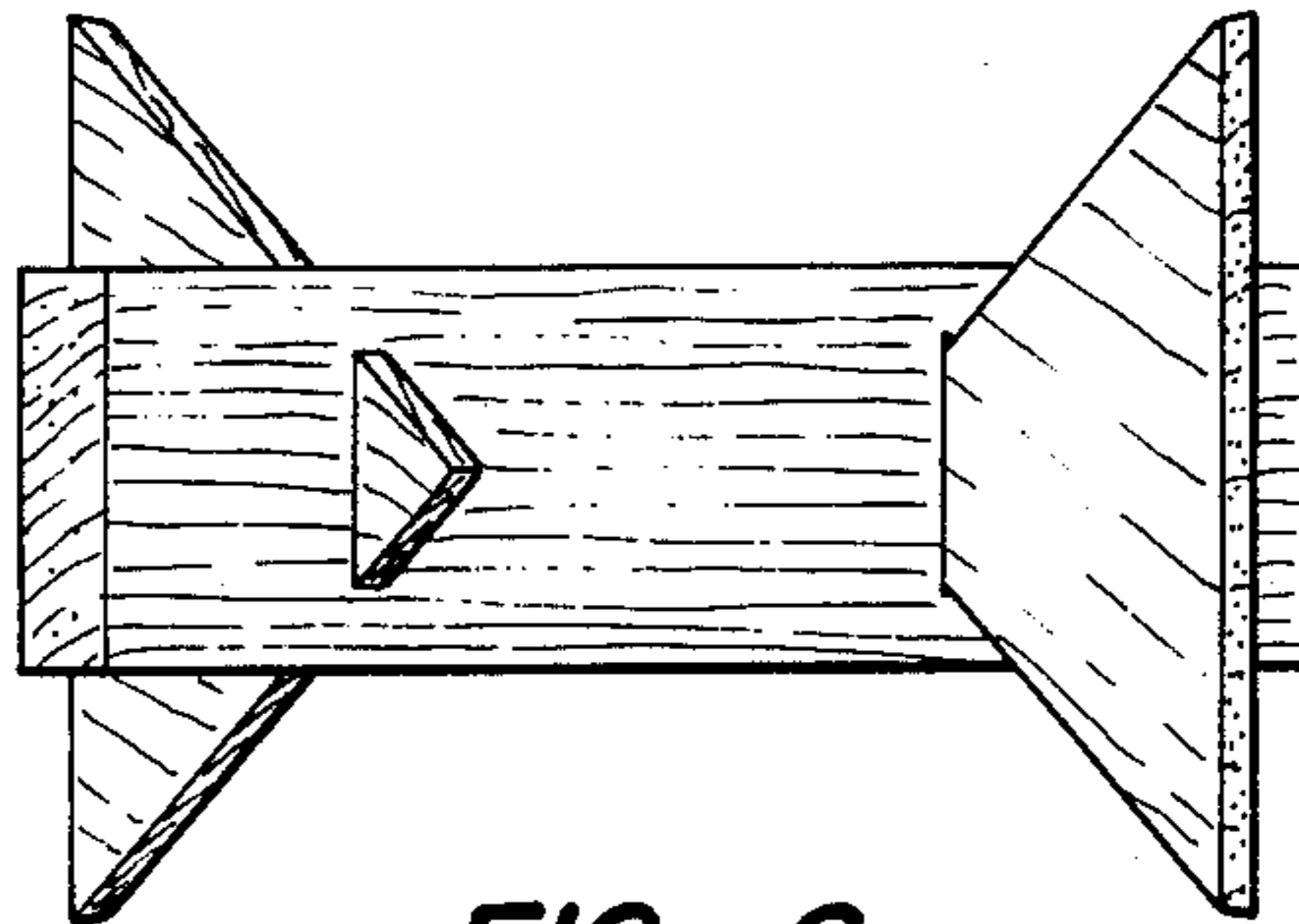


FIG. 6.