

[54] TRASH CART OR THE LIKE

[75] Inventor: Jowel J. Briscoe, Denver, Colo.

[73] Assignee: B & J Welding Shop, Inc., Denver, Colo.

[**] Term: 14 Years

[21] Appl. No.: 856,137

[22] Filed: Apr. 21, 1986

[52] U.S. Cl. D34/11; D34/5

[58] Field of Search D34/17, 12, 19, 24, D34/25, 1, 3, 5, 6; 280/47.26, 47.33; 248/DIG. 7, 128, 129; 220/1 T, 19

[56] References Cited

U.S. PATENT DOCUMENTS

D. 252,265	7/1979	Gardner	D34/25
2,689,745	9/1954	Rosenberry	280/47.26
3,402,848	9/1968	Busey	280/47.26
3,407,941	10/1968	Schmidt	248/DIG. 7
3,958,713	5/1976	Selz	220/19
4,615,454	10/1986	Verhoog, Jr.	220/1 T
4,655,357	4/1987	Hampton, Jr.	220/19

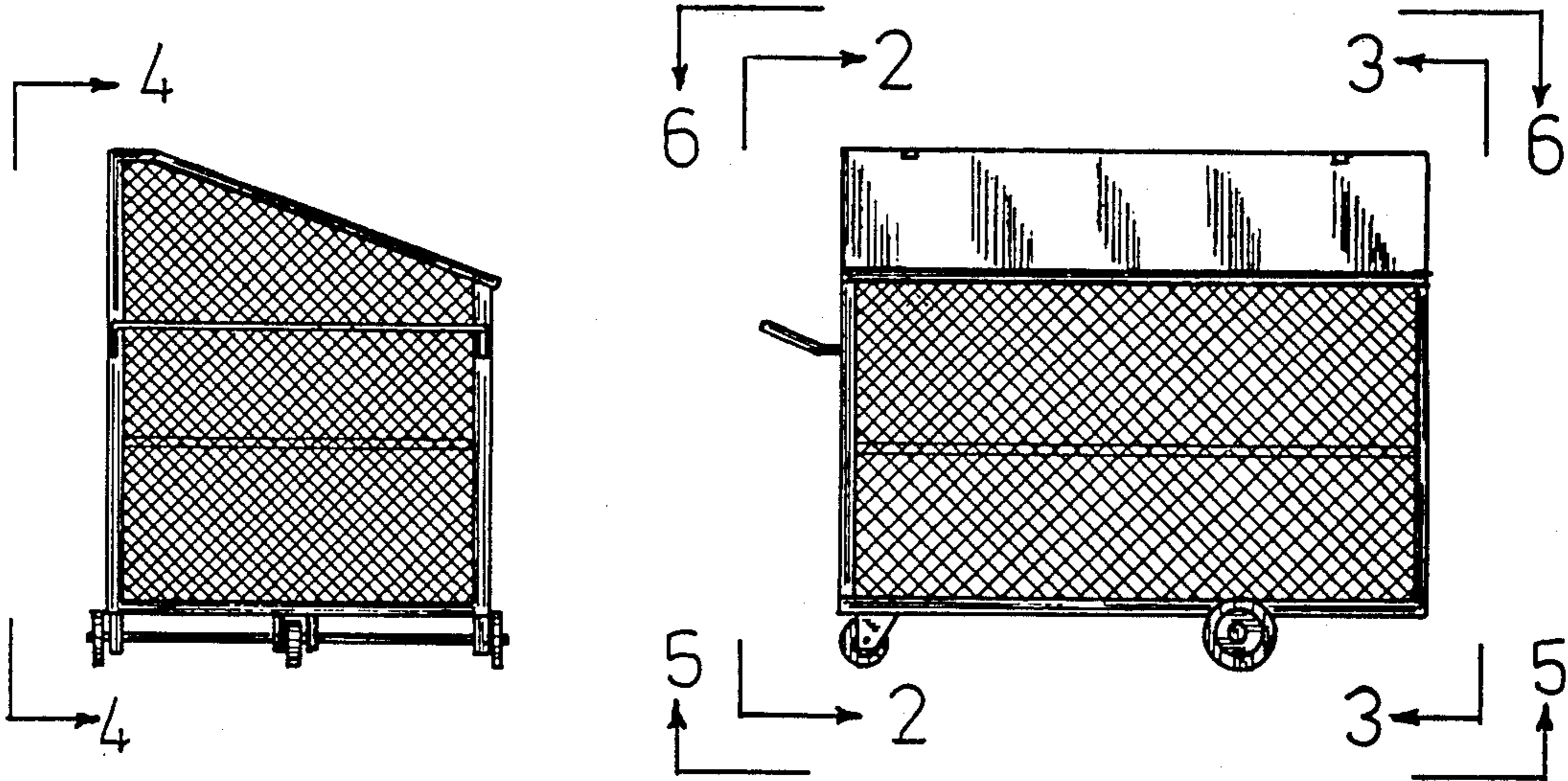
Primary Examiner—Wallace R. Burke
Assistant Examiner—Kay H. Chin
Attorney, Agent, or Firm—Norvell E. Von Behren

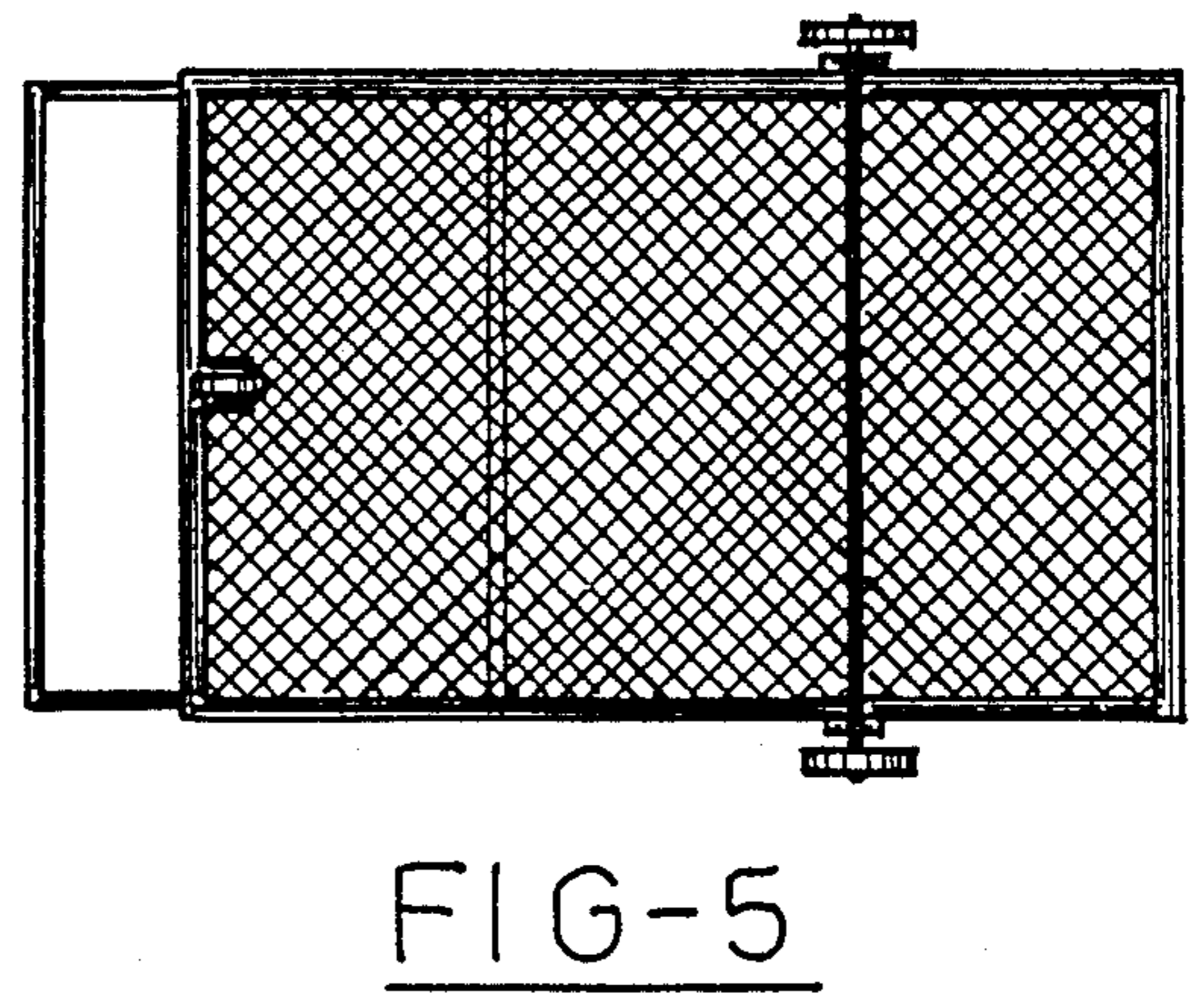
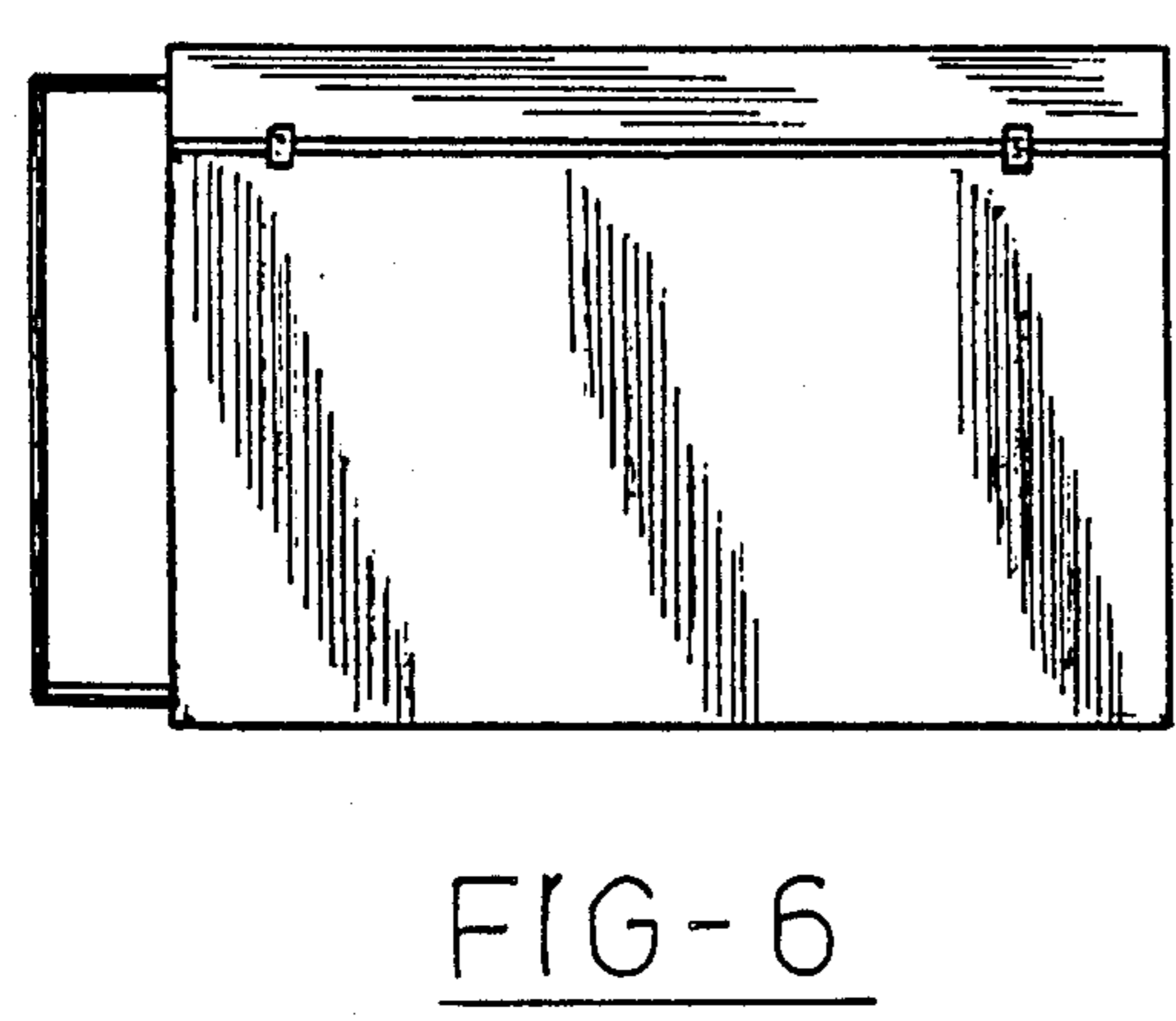
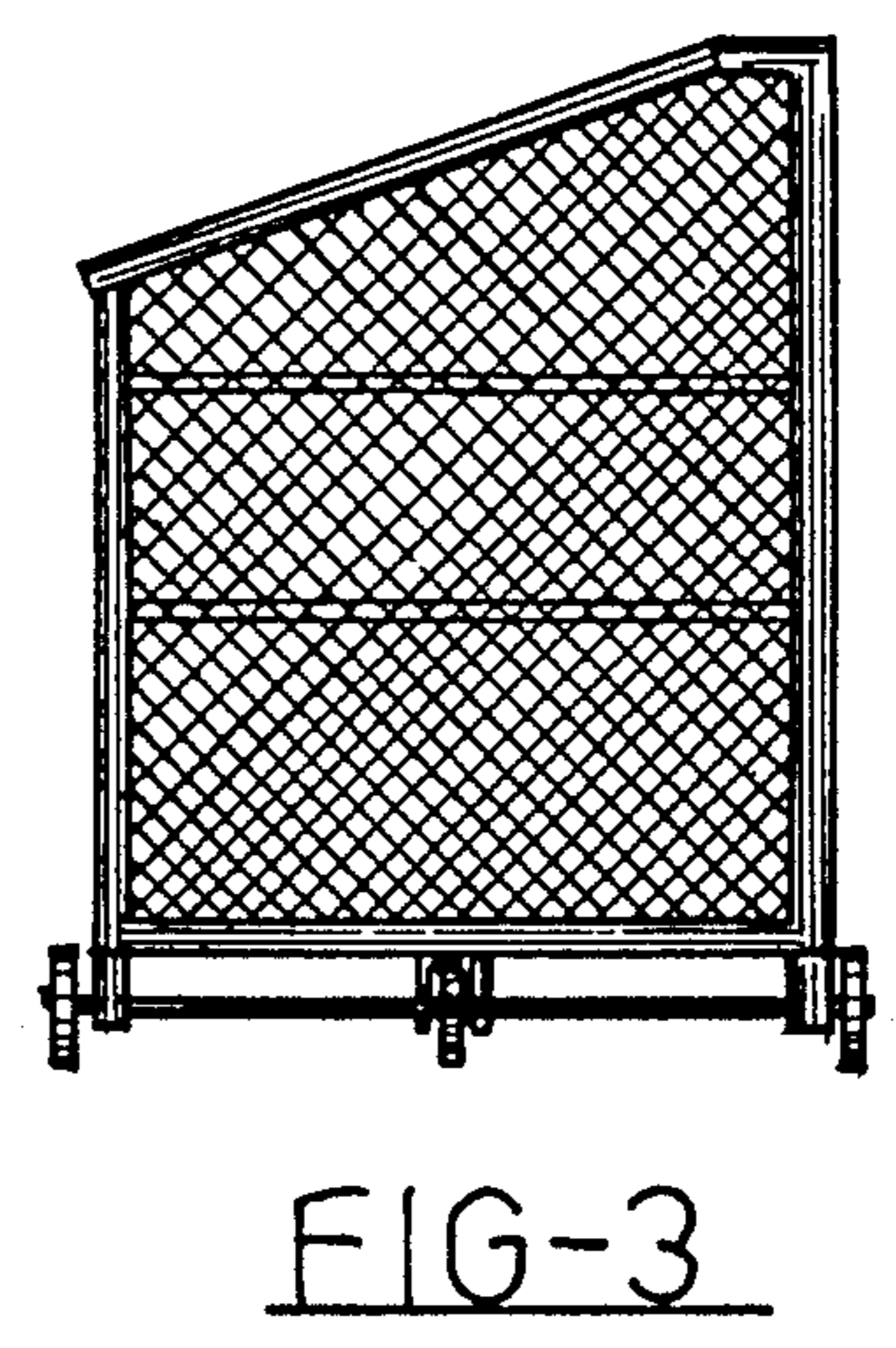
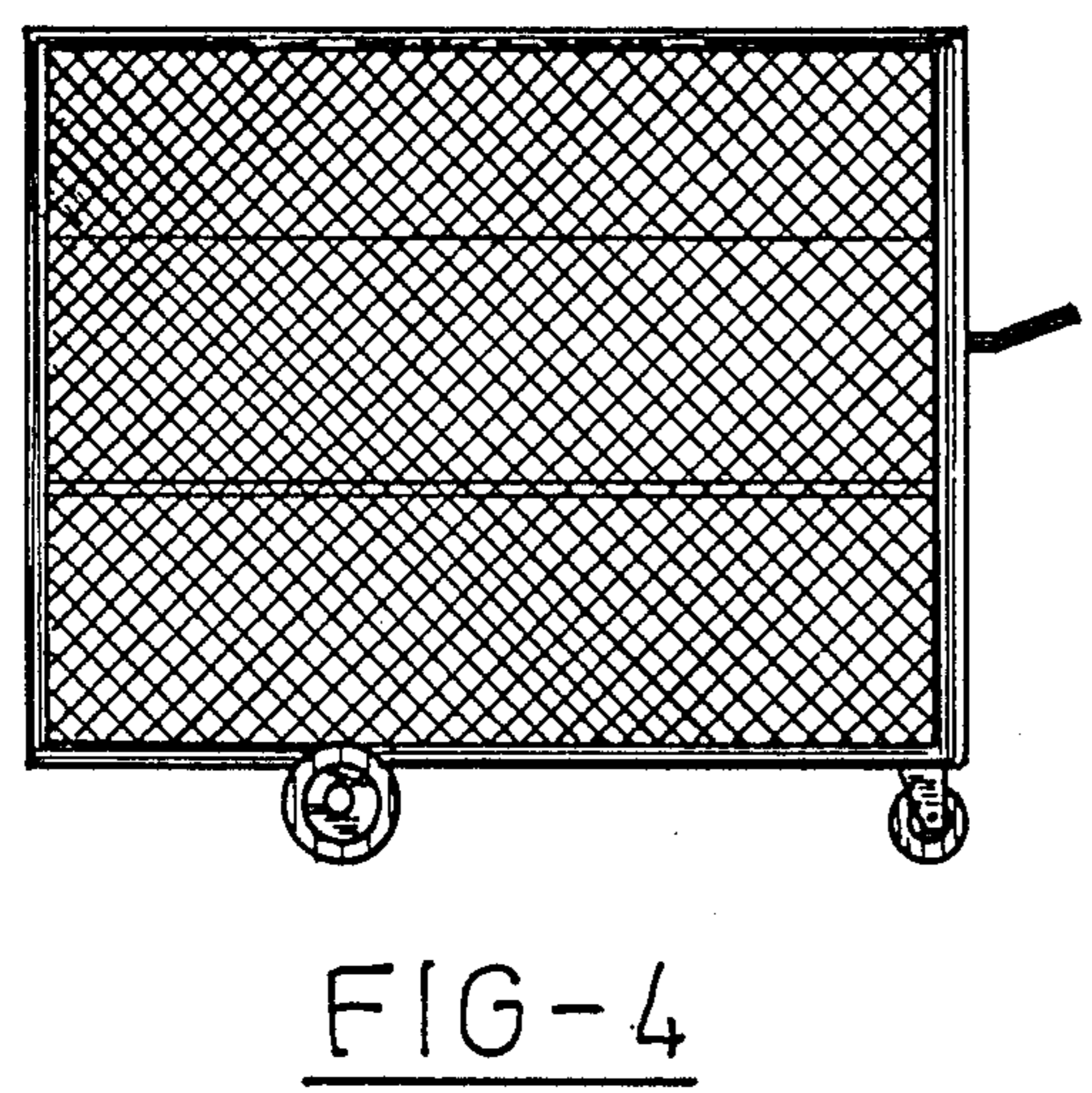
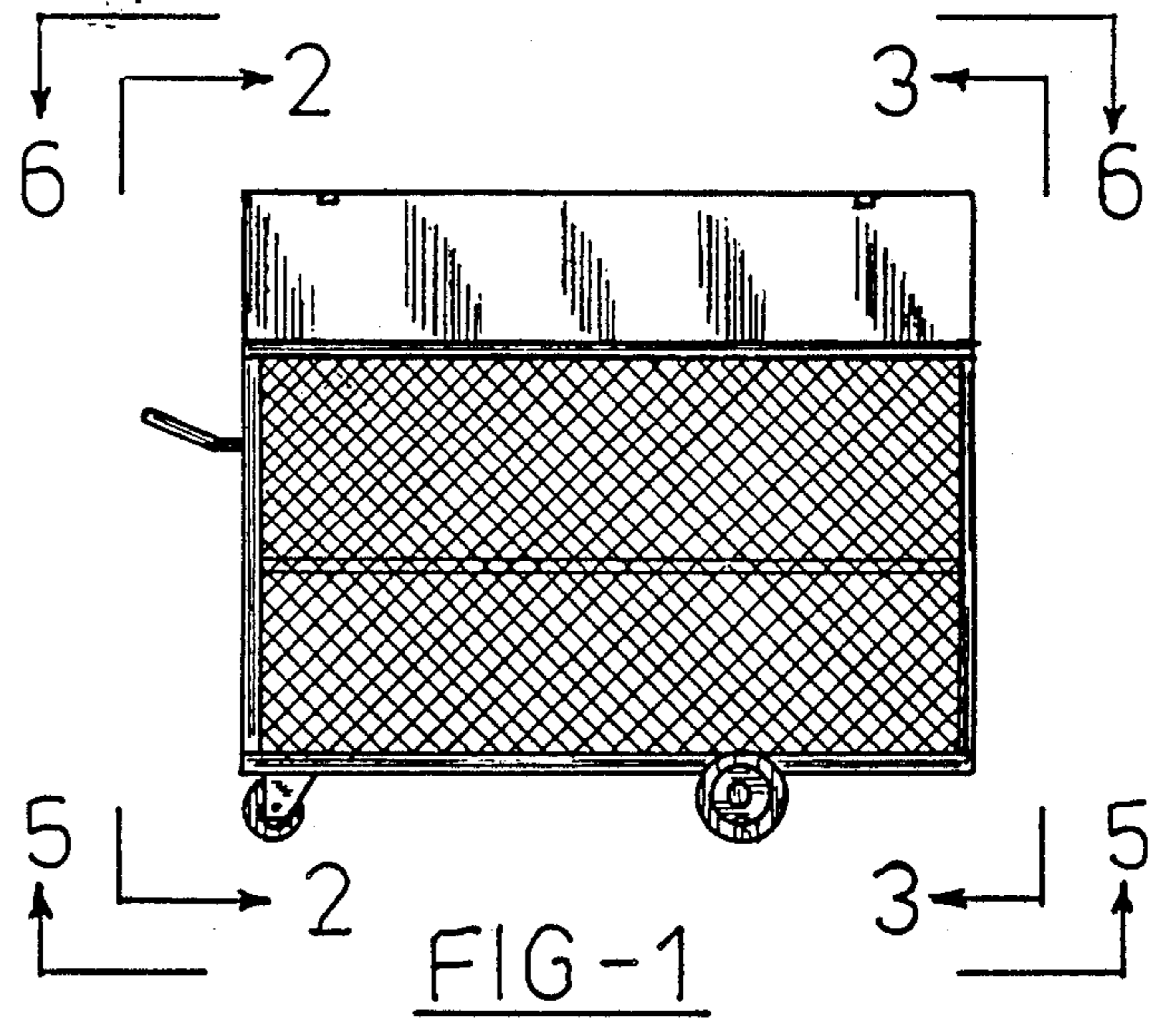
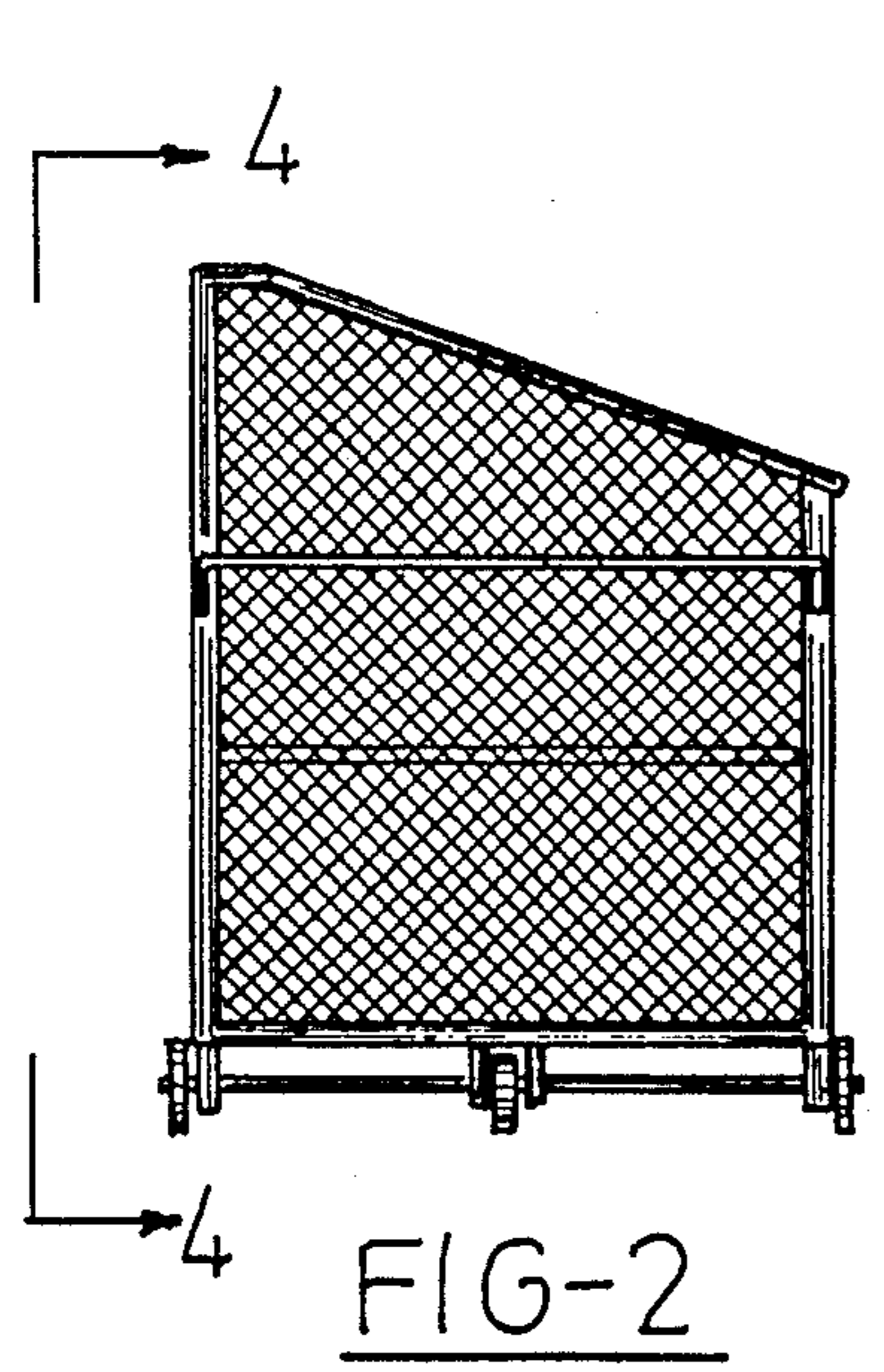
[57] CLAIM

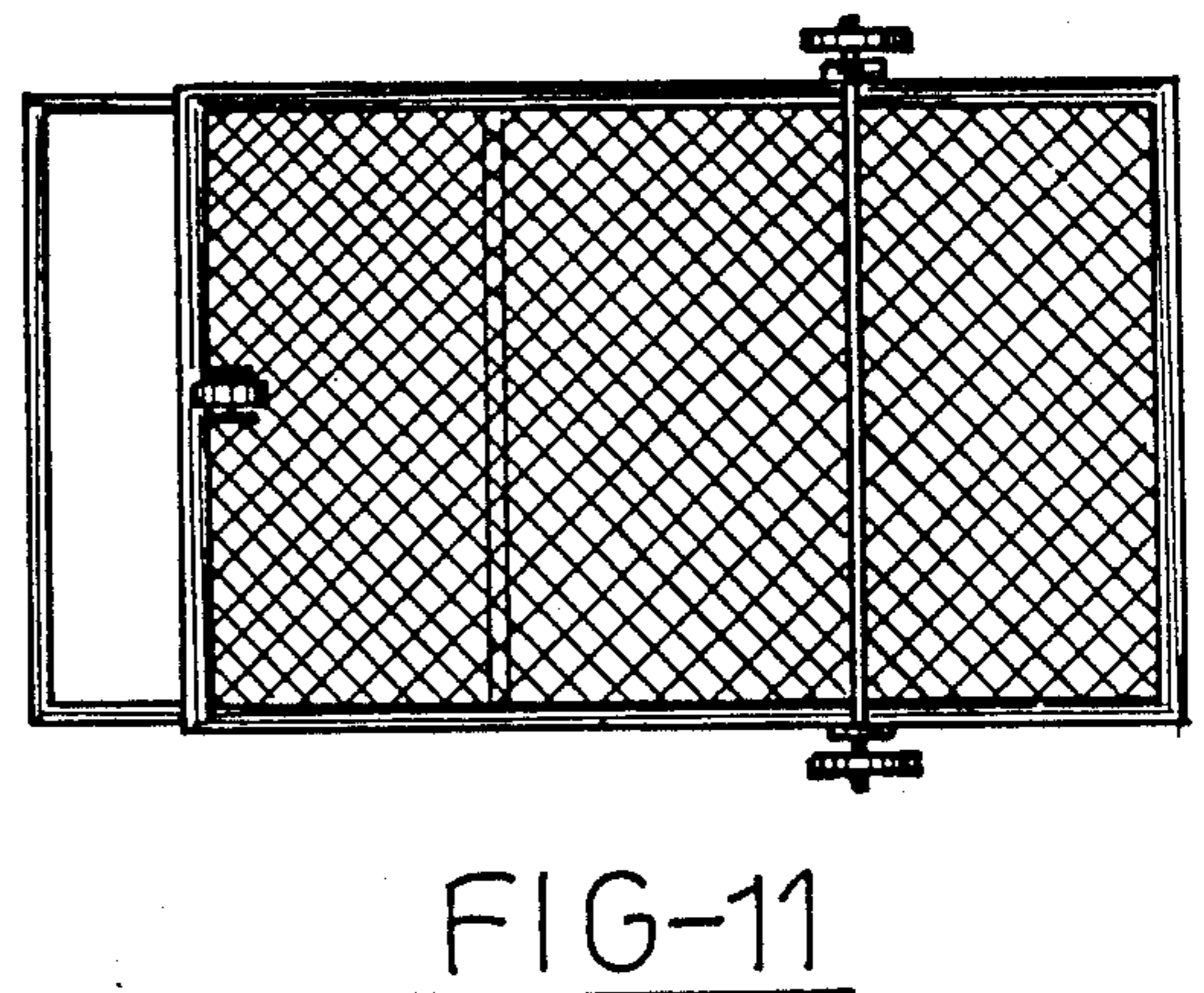
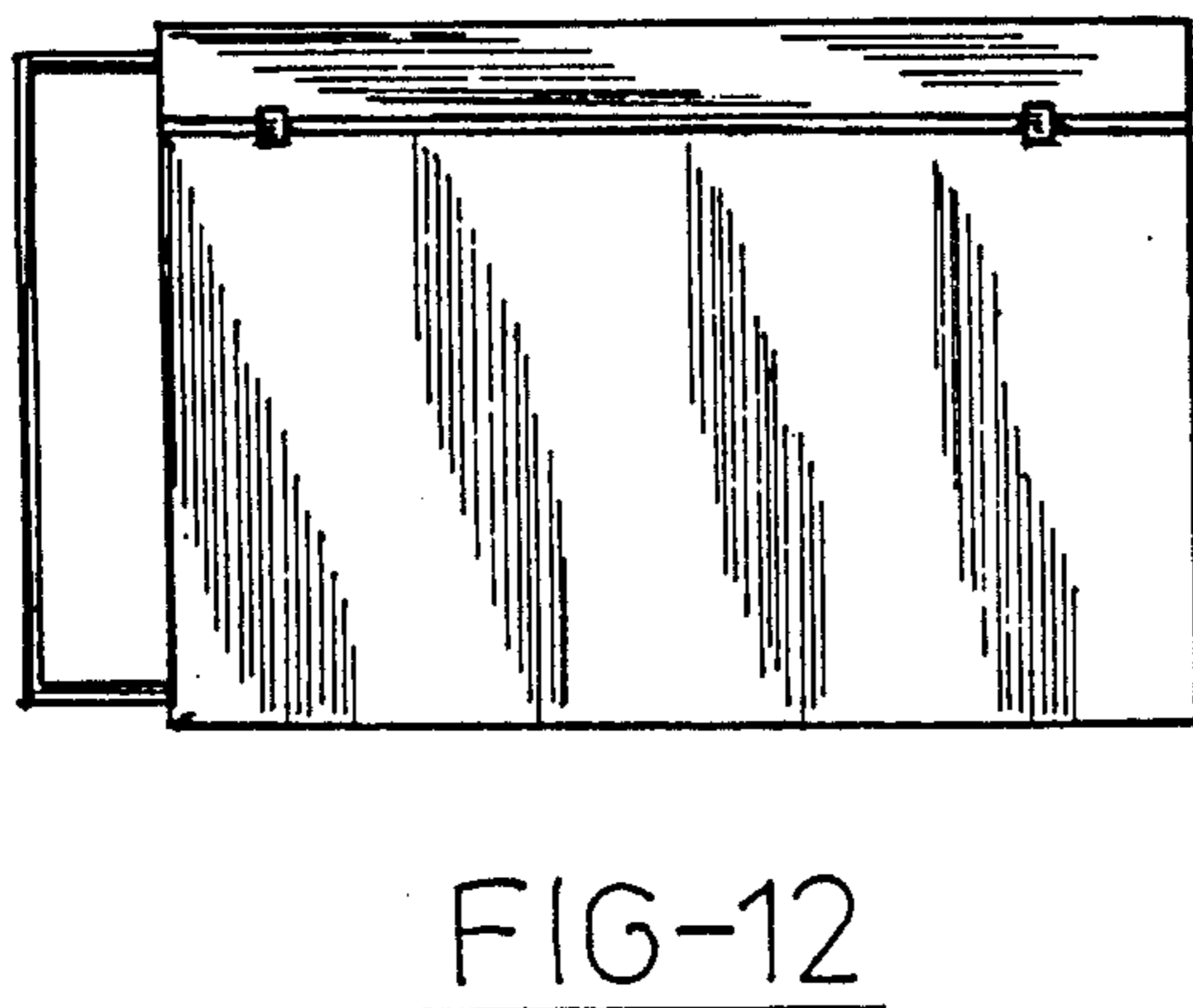
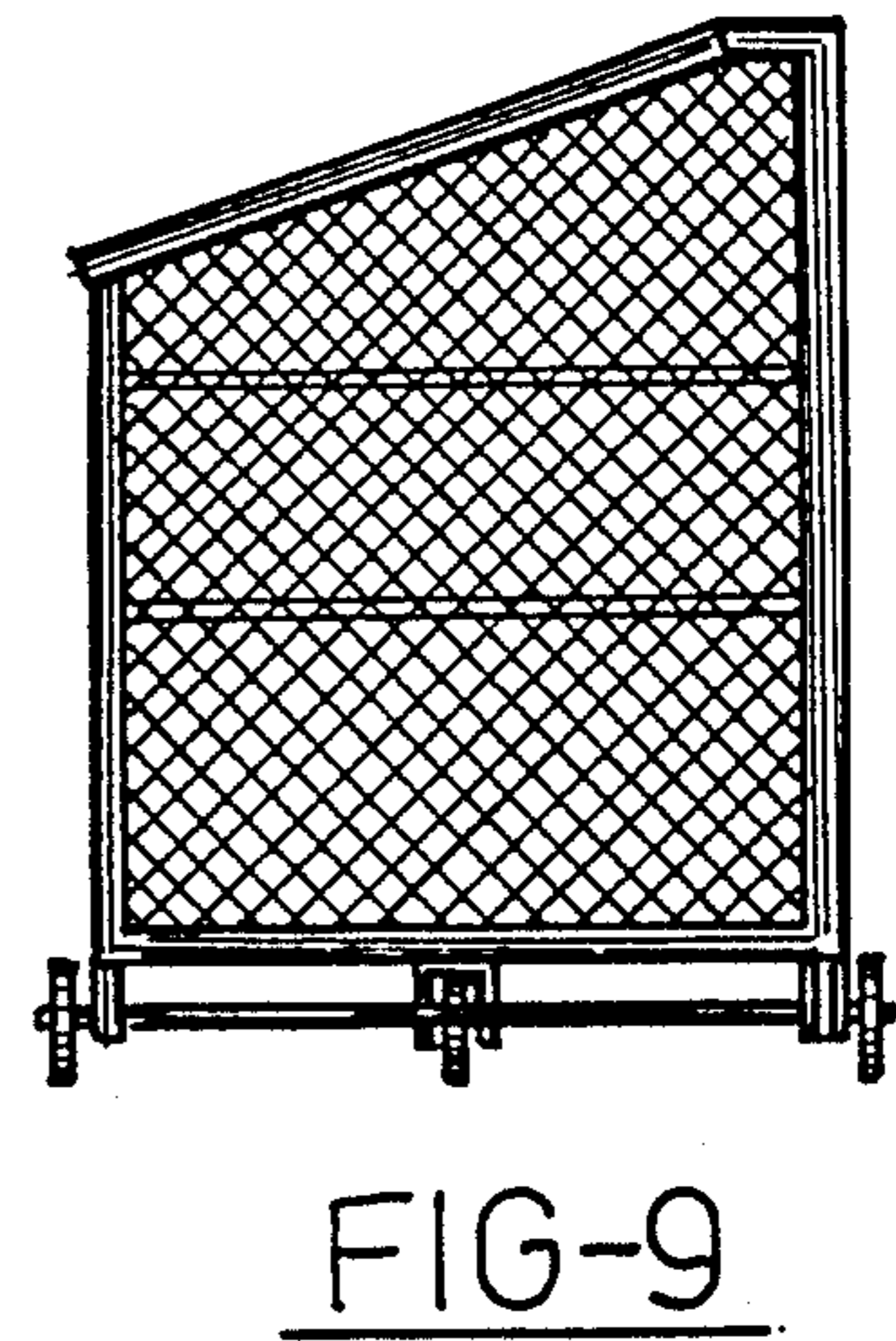
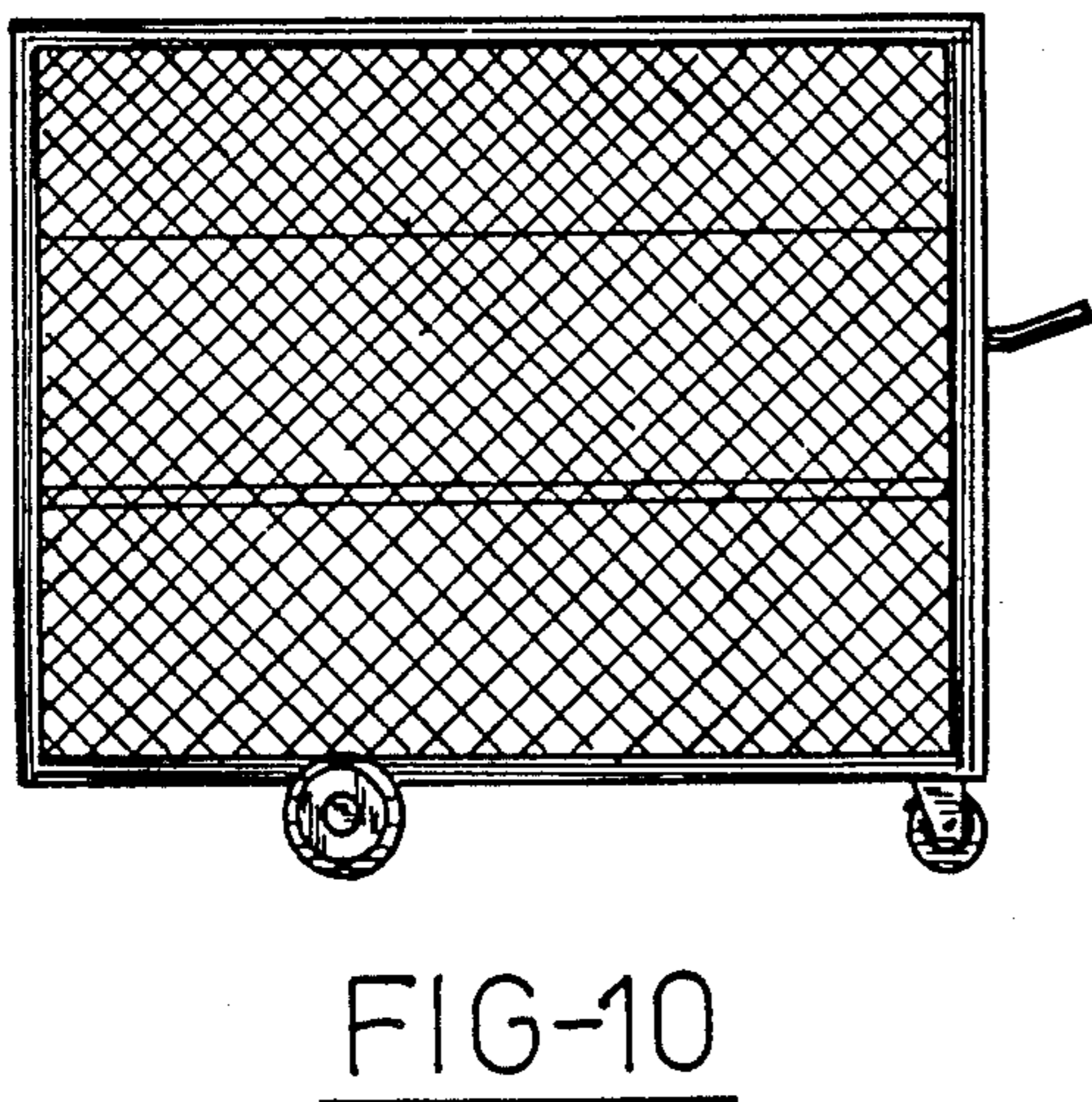
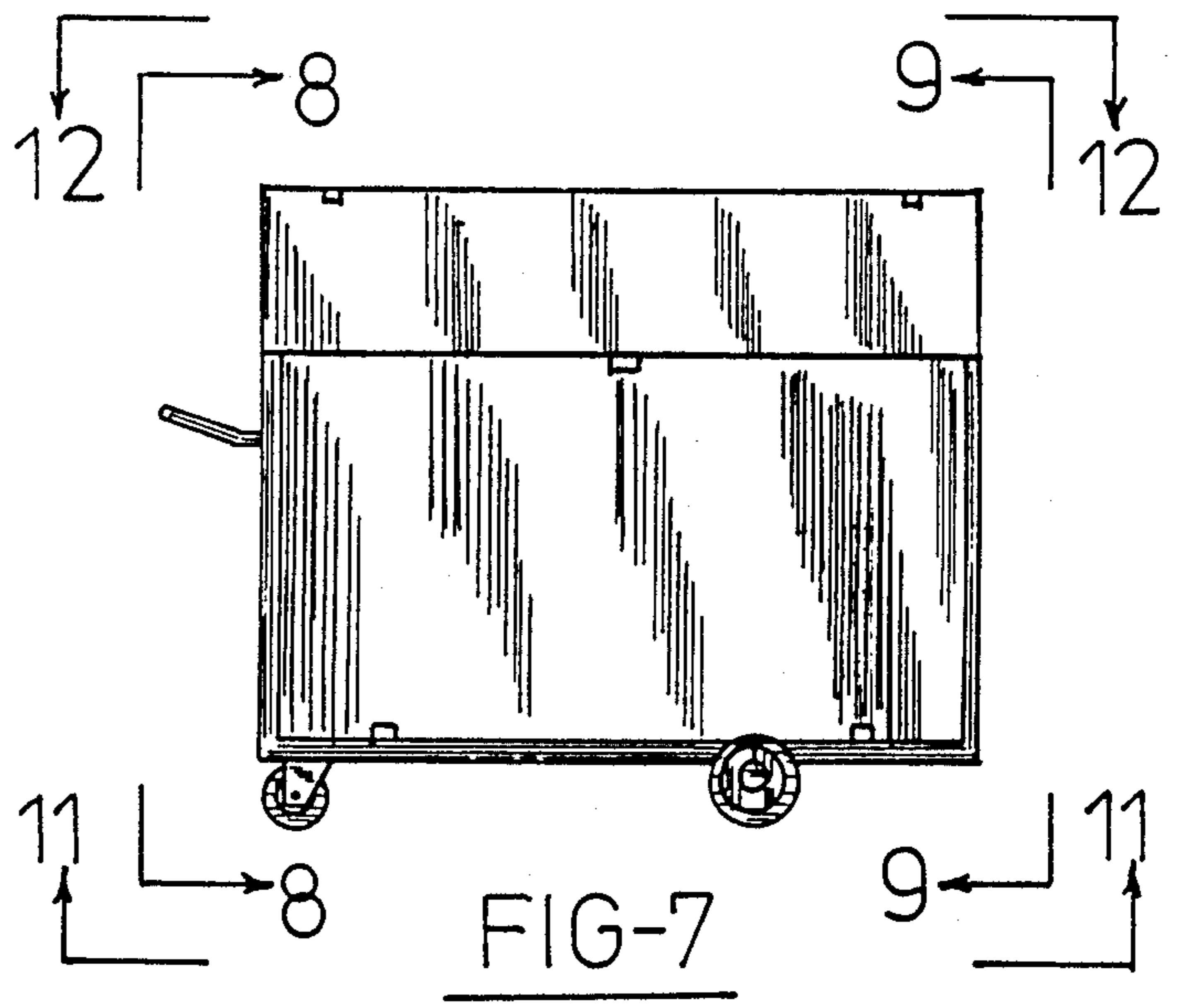
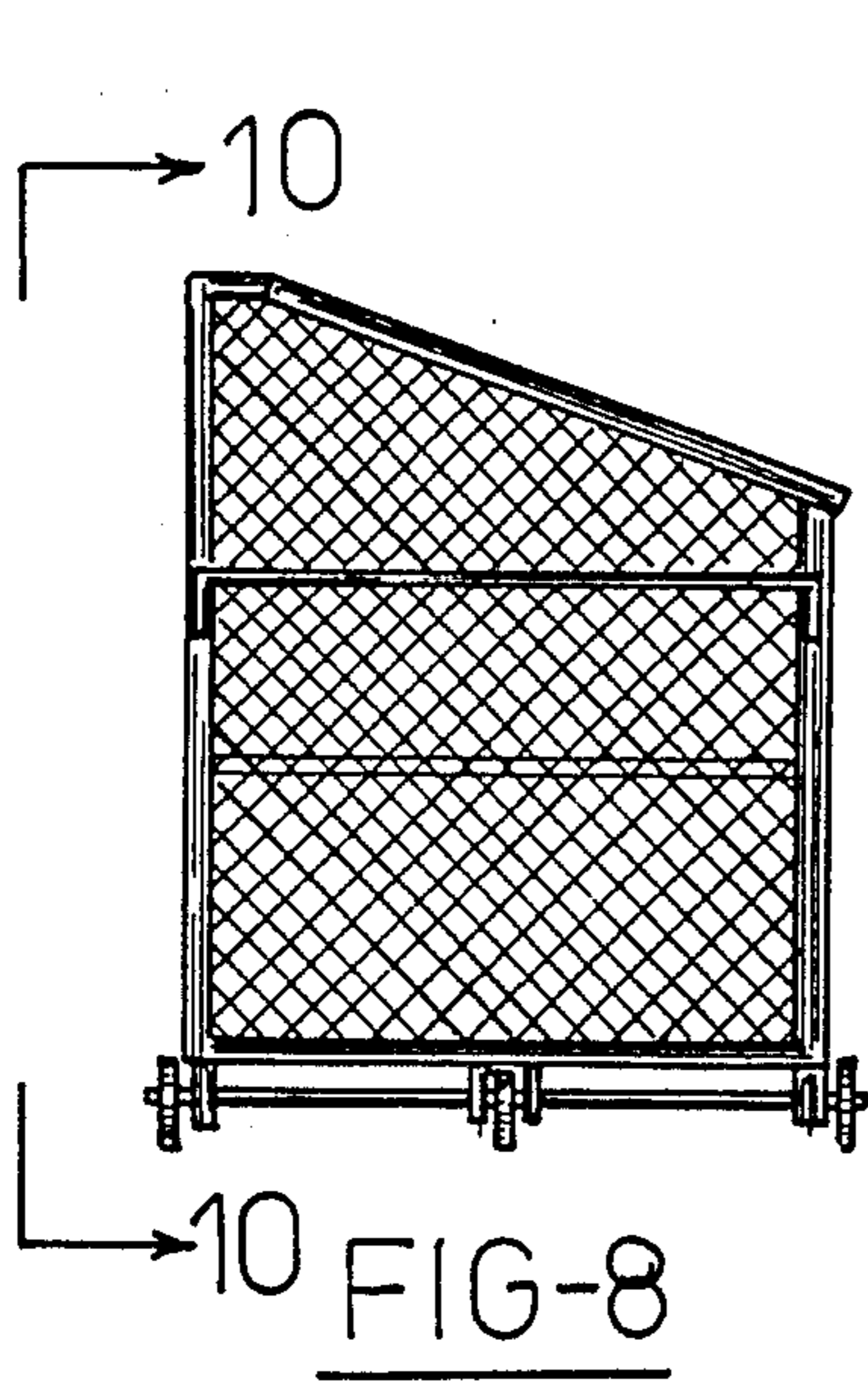
The ornamental design for a trash cart or the like, as shown and described.

DESCRIPTION

FIG. 1 is a front elevational view of a trash cart or the like showing my new design;
FIG. 2 is a left side elevational view thereof;
FIG. 3 is a right side elevational view thereof;
FIG. 4 is a rear elevational view thereof;
FIG. 5 is a bottom plan view thereof;
FIG. 6 is a top plan view thereof;
FIG. 7 is a front elevational view of a second embodiment of the trash cart or the like;
FIG. 8 is a left side elevational view of FIG. 7;
FIG. 9 is a right side elevational view of FIG. 7;
FIG. 10 is a rear elevational view of FIG. 7;
FIG. 11 is a bottom plan view of FIG. 7;
FIG. 12 is a top plan view of FIG. 7;
FIG. 13 is a front elevational view of a third embodiment of the trash cart or the like;
FIG. 14 is a left side elevational view of FIG. 13;
FIG. 15 is a right side elevational view of FIG. 13;
FIG. 16 is a rear elevational view of FIG. 13;
FIG. 17 is a bottom plan view of FIG. 13; and
FIG. 18 is a top plan view of FIG. 13.
The crosshatched appearance in the various drawing views is expanded metal.







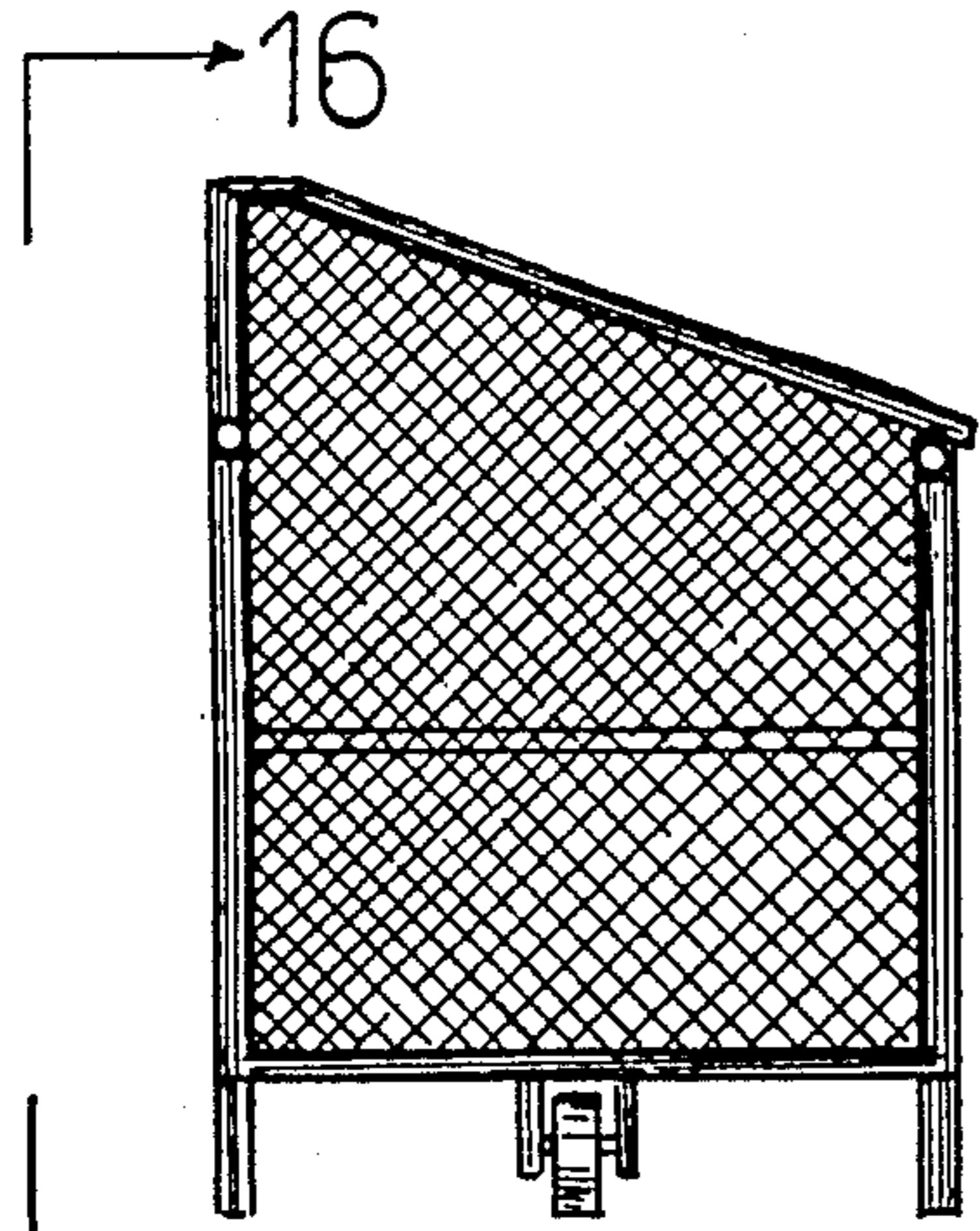


FIG-14

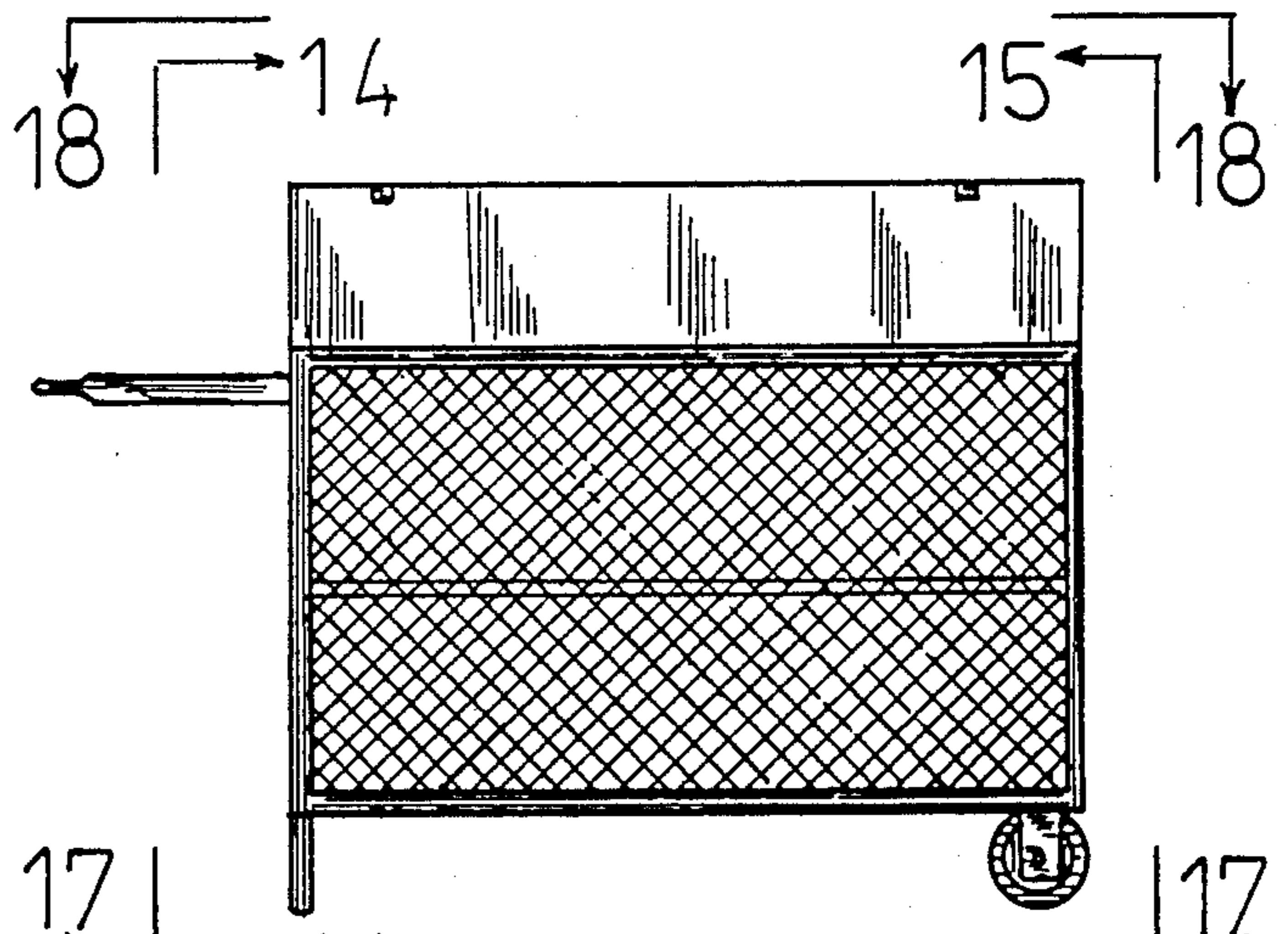


FIG-13

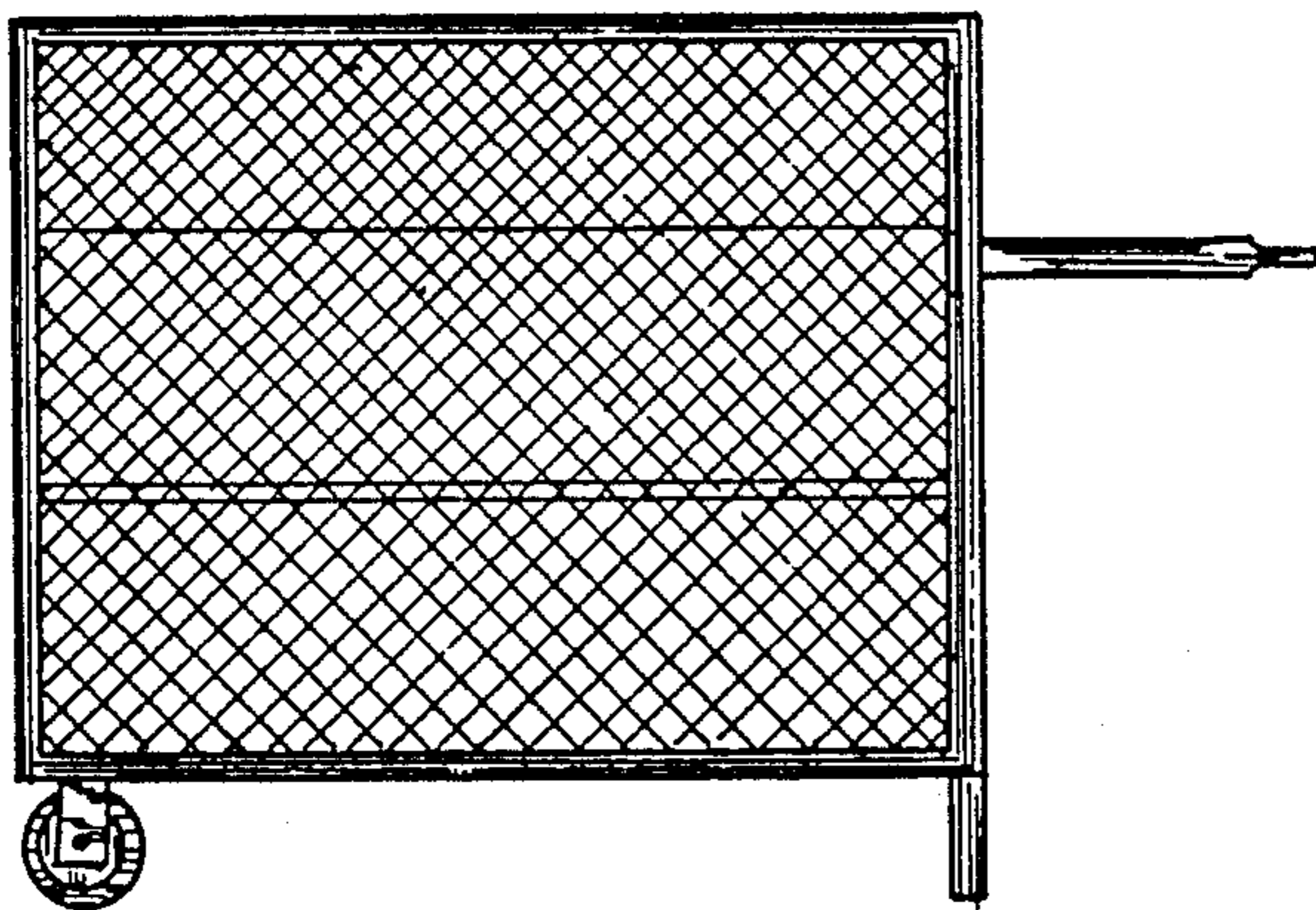


FIG-16

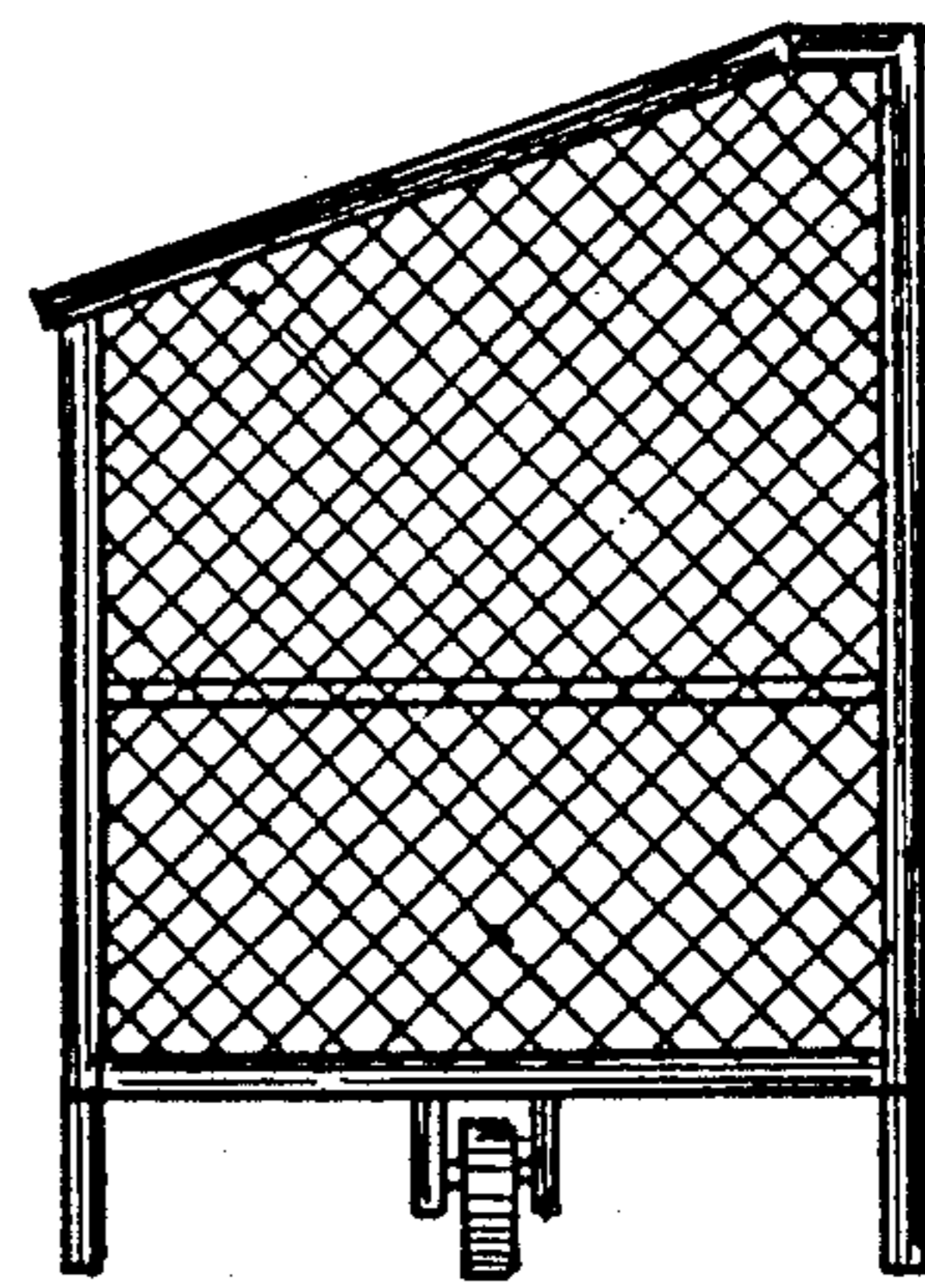


FIG-15

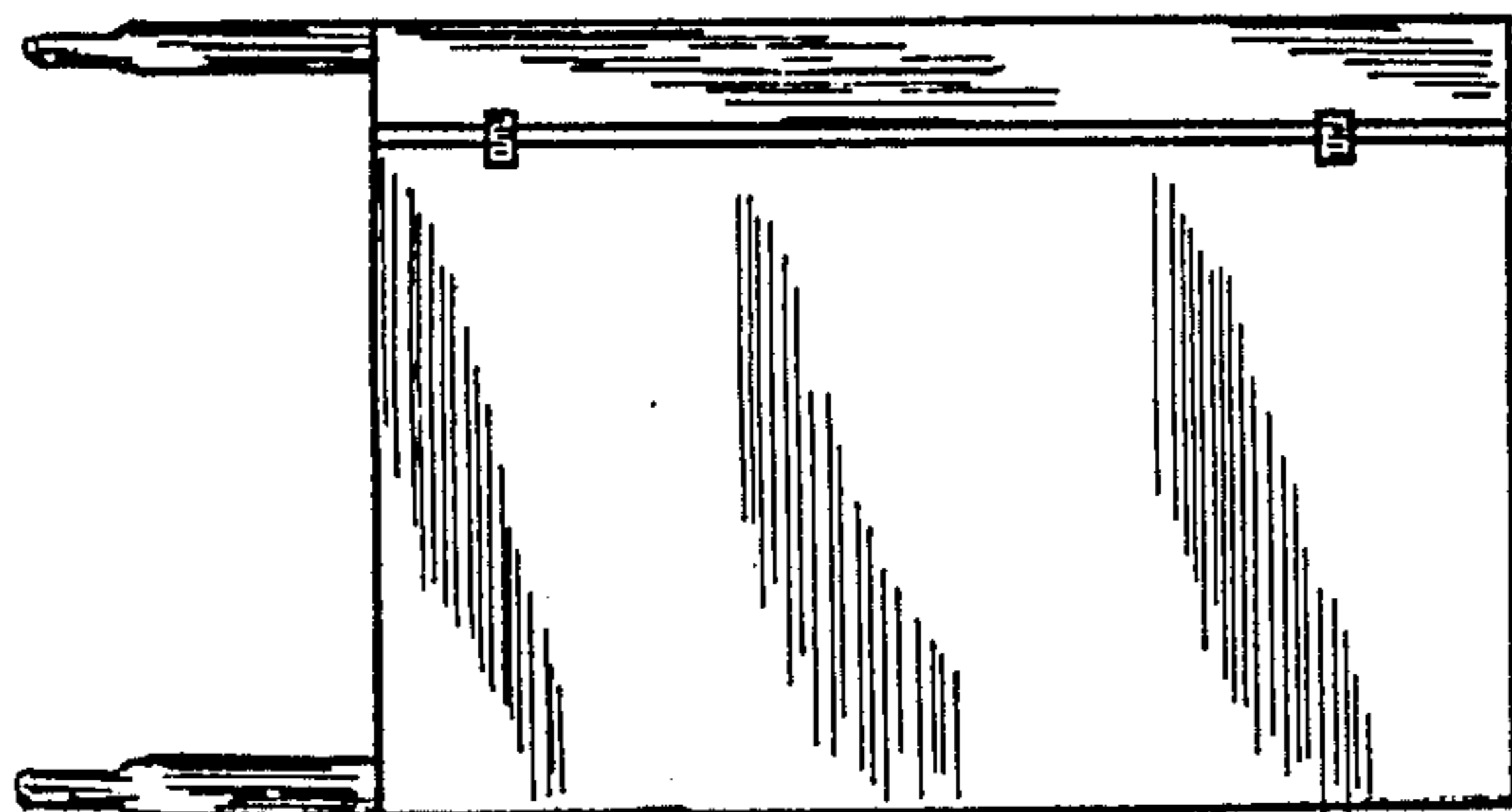


FIG-18

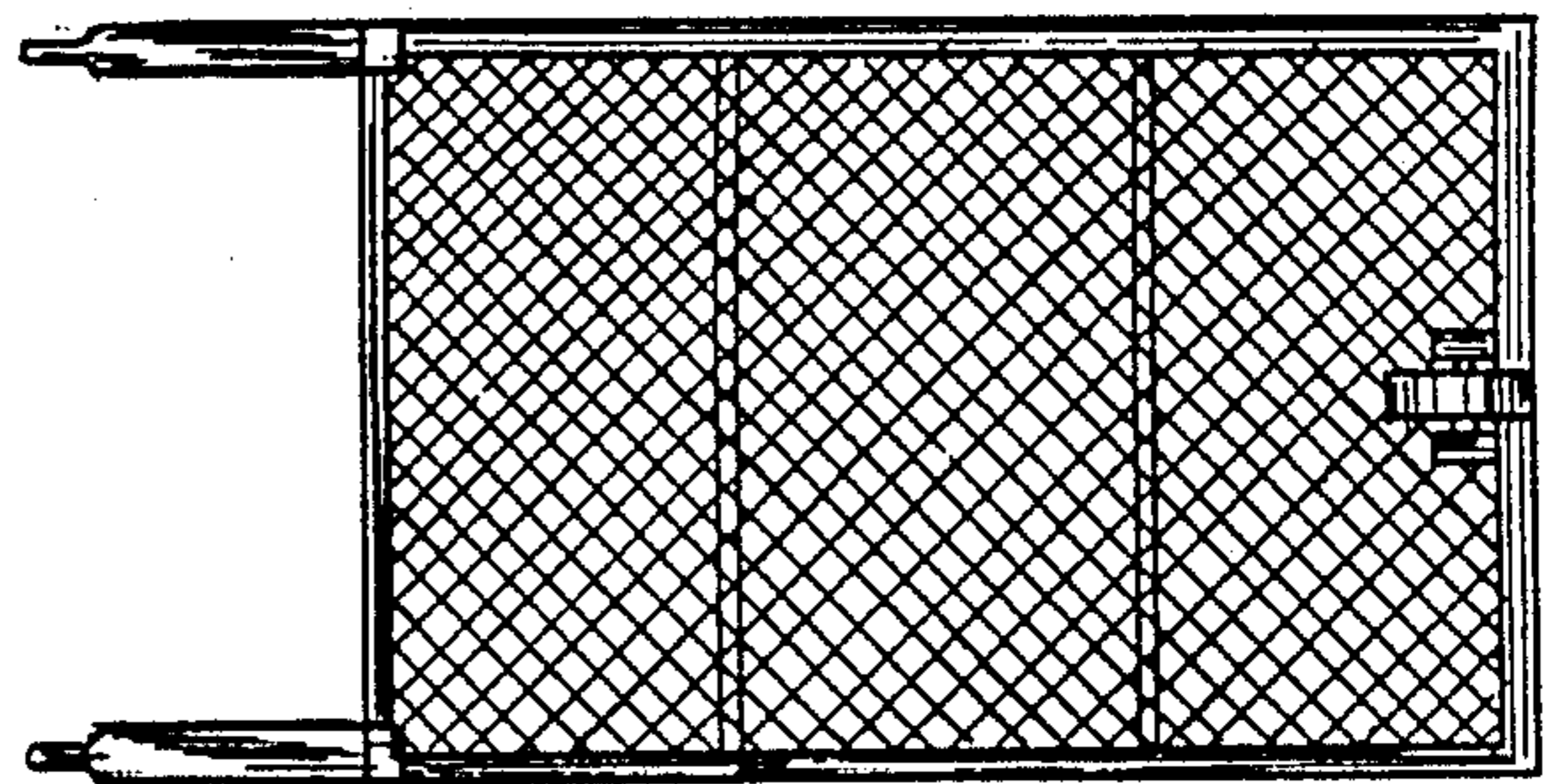


FIG-17