

United States Patent [19]

Hilger

[11] Patent Number: **Des. 297,374**

[45] Date of Patent: **** Aug. 23, 1988**

[54] **DOMED ASHTRAY**

[75] Inventor: **Ronald O. Hilger, Elmhurst, Ill.**

[73] Assignee: **Associated Mills Inc., Chicago, Ill.**

[**] Term: **14 Years**

[21] Appl. No.: **871,614**

[22] Filed: **Jun. 5, 1986**

[52] U.S. Cl. **D27/135; D27/108**

[58] Field of Search **D27/8-29;**
131/231, 235.1, 240.1, 241, 242, 238, 256;
55/385 G

[56] **References Cited**

U.S. PATENT DOCUMENTS

D. 216,851 3/1970 Gilbertson et al. D27/15

D. 239,540 4/1976 Orel D27/15

D. 247,050 1/1978 Doyel D27/15

D. 280,555 9/1985 Grube D27/27

D. 283,450 4/1986 Campbell et al. D27/27

Primary Examiner—Catherine E. Kemper

Attorney, Agent, or Firm—Laff, Whitesel, Conte & Saret

[57] CLAIM

The ornamental design for a domed ashtray, as shown.

DESCRIPTION

FIG. 1 is a perspective view of a domed ashtray showing my new design;

FIG. 2 is a front elevational view thereof;

FIG. 3 is a rear elevational view thereof;

FIG. 4 is a top plan view thereof;

FIG. 5 is a bottom plan view thereof; and

FIG. 6 is a side elevational view thereof.

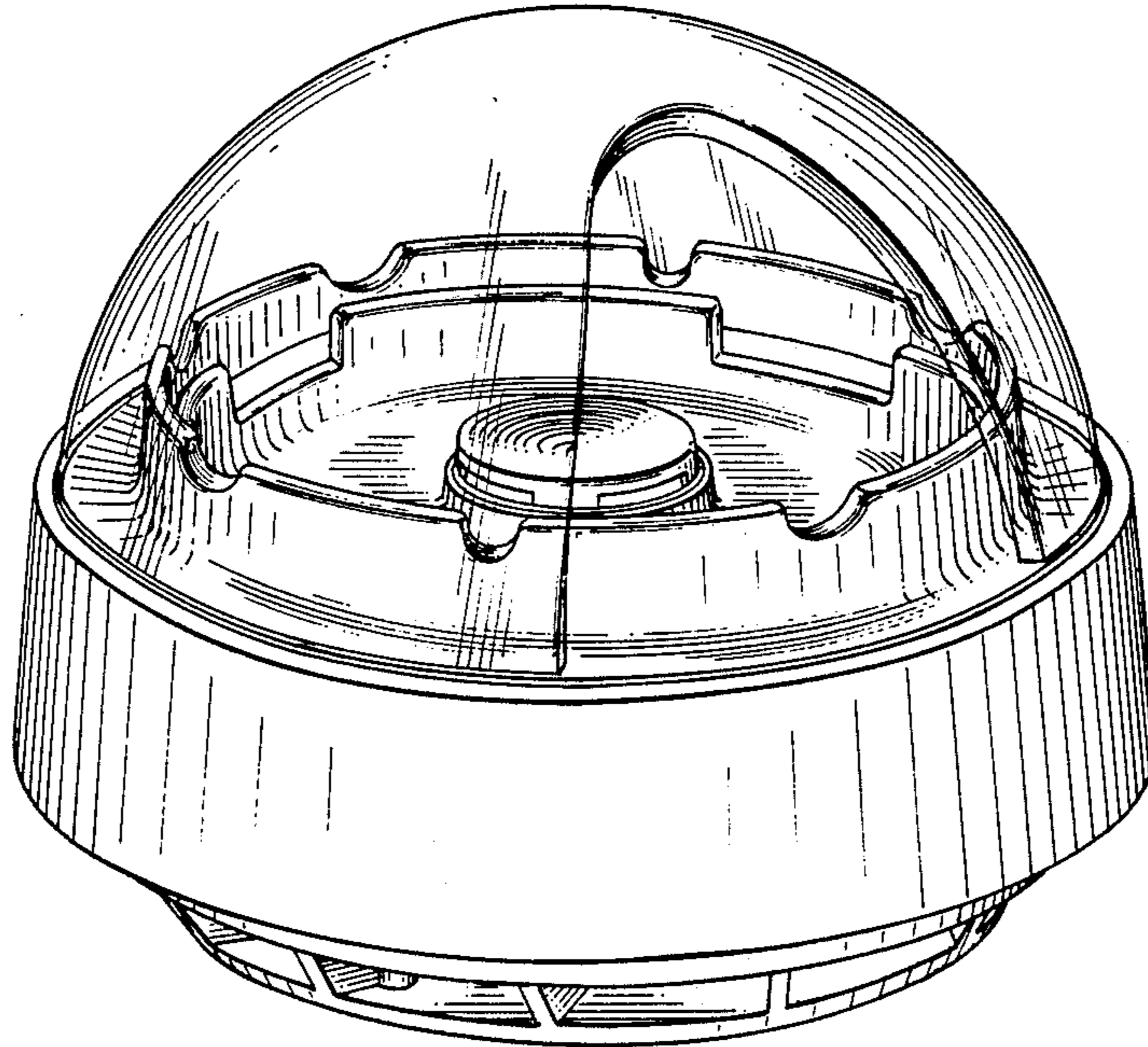


Fig. 1

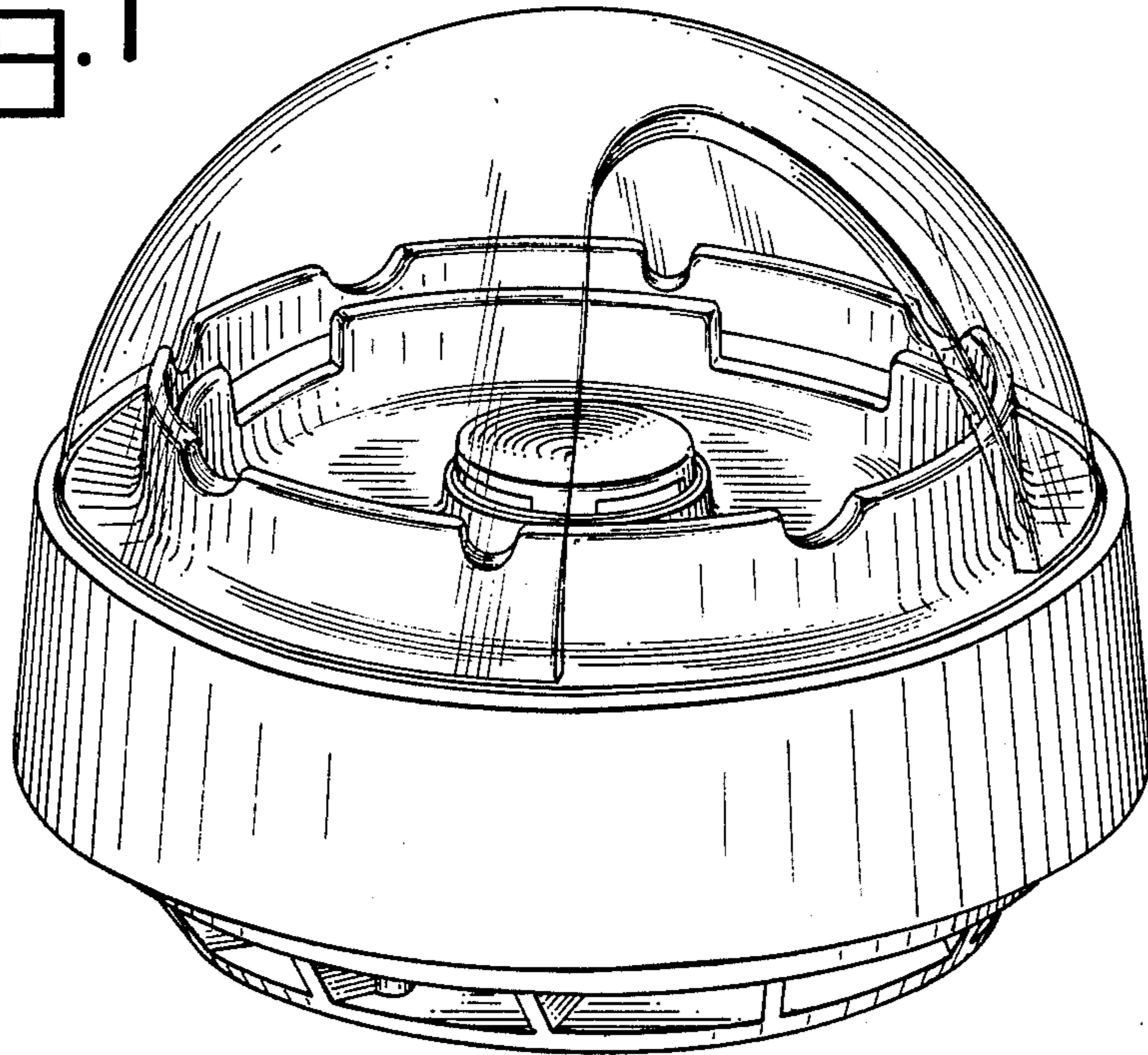


Fig. 2

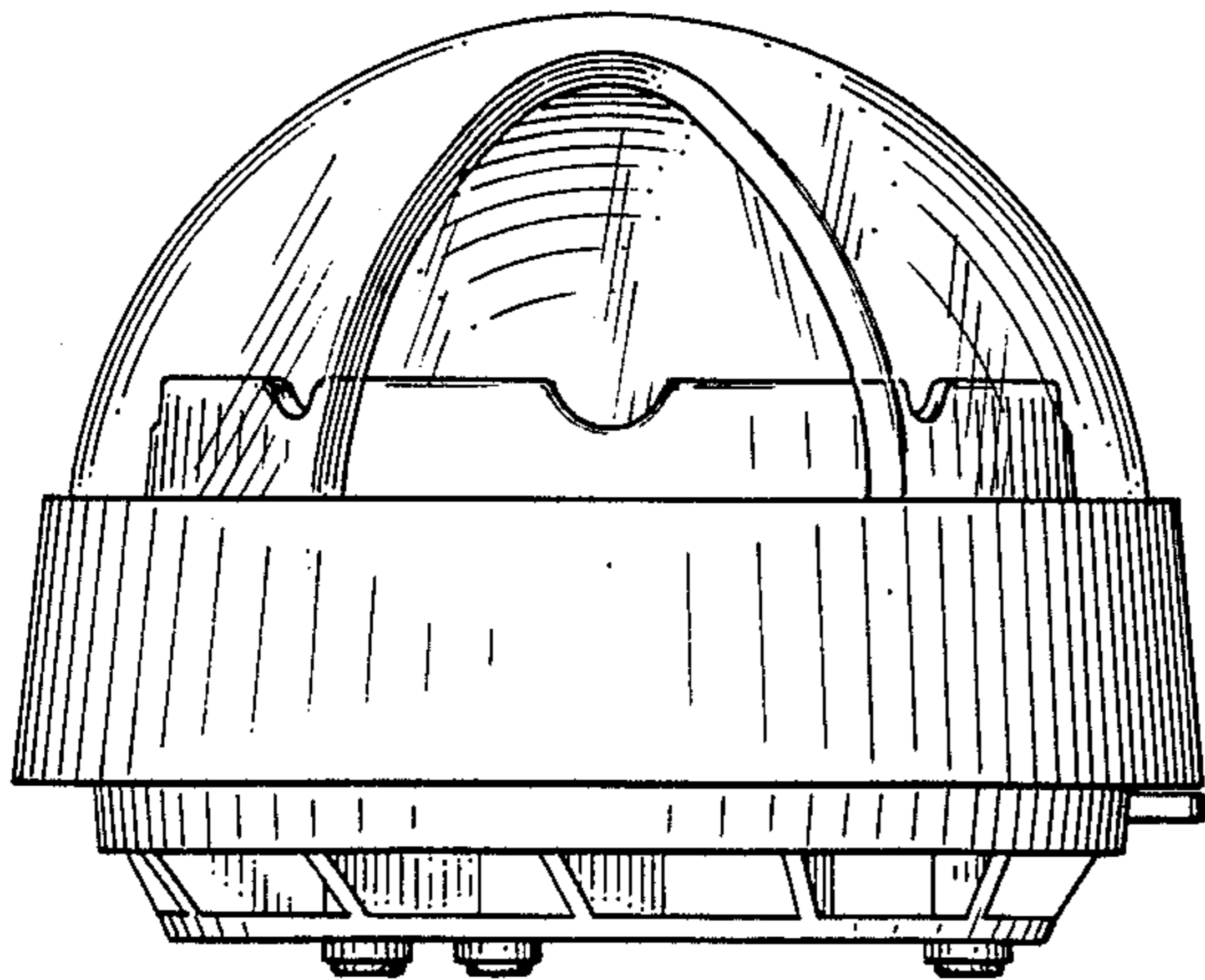


Fig. 3

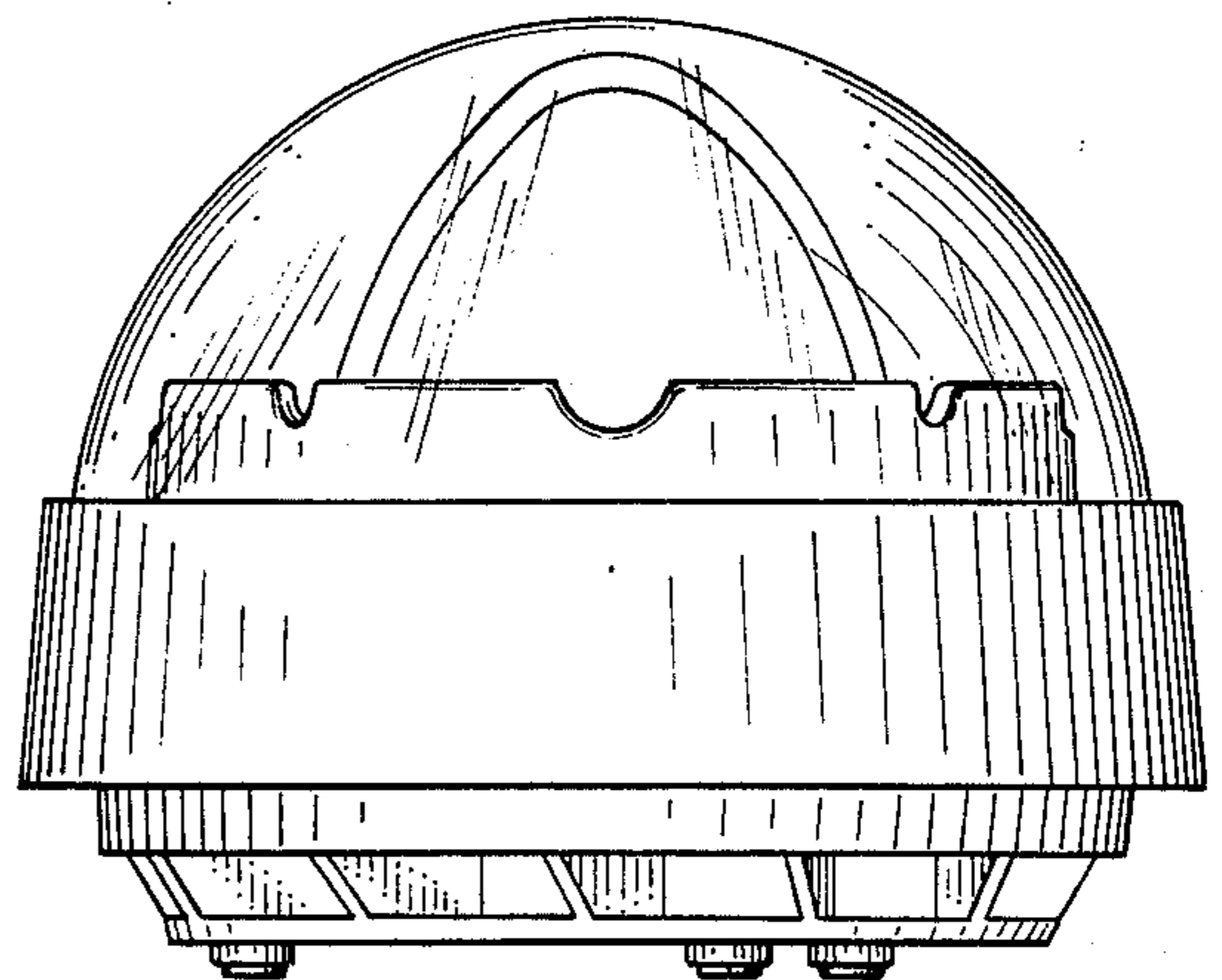


Fig. 4

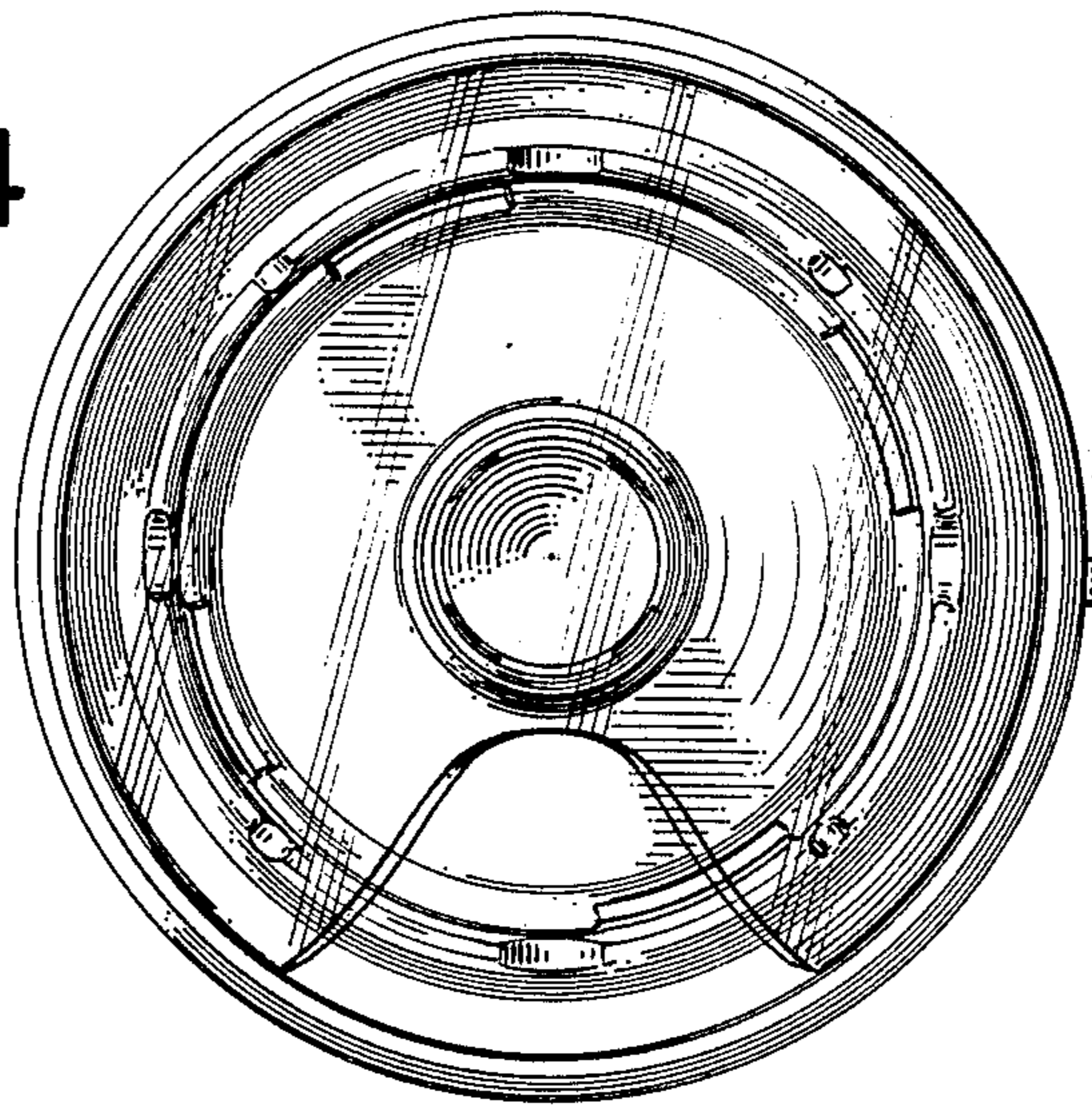


Fig. 5

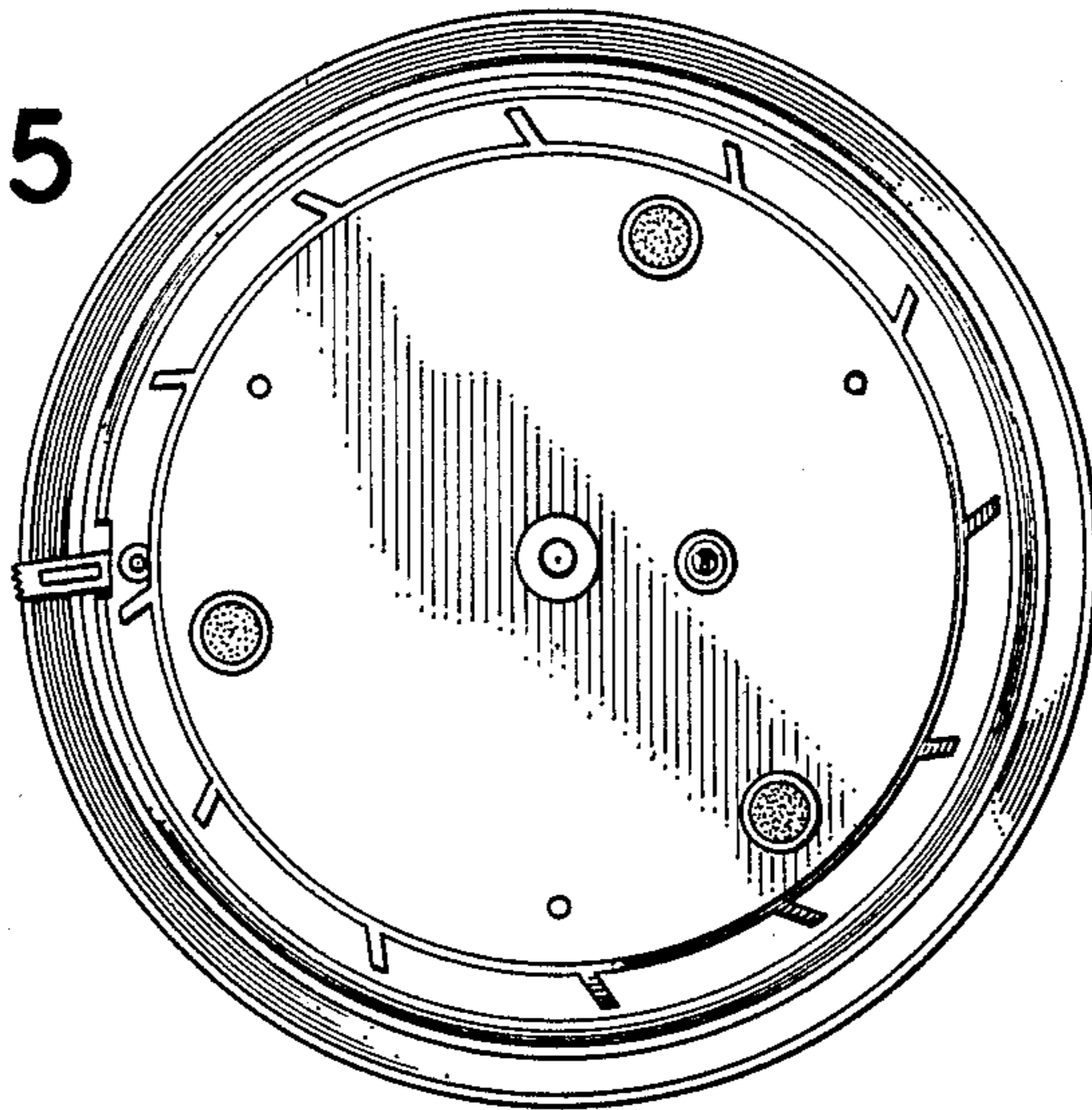


Fig. 6

