

[54] ADJUSTABLE SPOTLIGHT

[75] Inventors: Stefanus F. W. Joosten, Eindhoven; Leonardus A. C. Krol, Gorkum, both of Netherlands

[73] Assignee: U.S. Philips Corporation, New York, N.Y.

[**] Term: 14 Years

[21] Appl. No.: 907,712

[22] Filed: Sep. 15, 1986

[30] Foreign Application Priority Data

Mar. 25, 1986 [XH] Hague DM/006687
[52] U.S. Cl. D26/63
[58] Field of Search D26/24, 61-66; 362/269, 275, 285, 291, 310, 311, 362, 413, 418, 427

[56] References Cited

U.S. PATENT DOCUMENTS

D. 234,710 4/1975 Beeren D26/63
D. 254,575 3/1980 Strignano D26/64 X
D. 270,483 9/1983 Gardner et al. D26/63
D. 283,925 5/1986 Sangiamo et al. D26/61
4,258,413 3/1981 Mausser 362/269 X

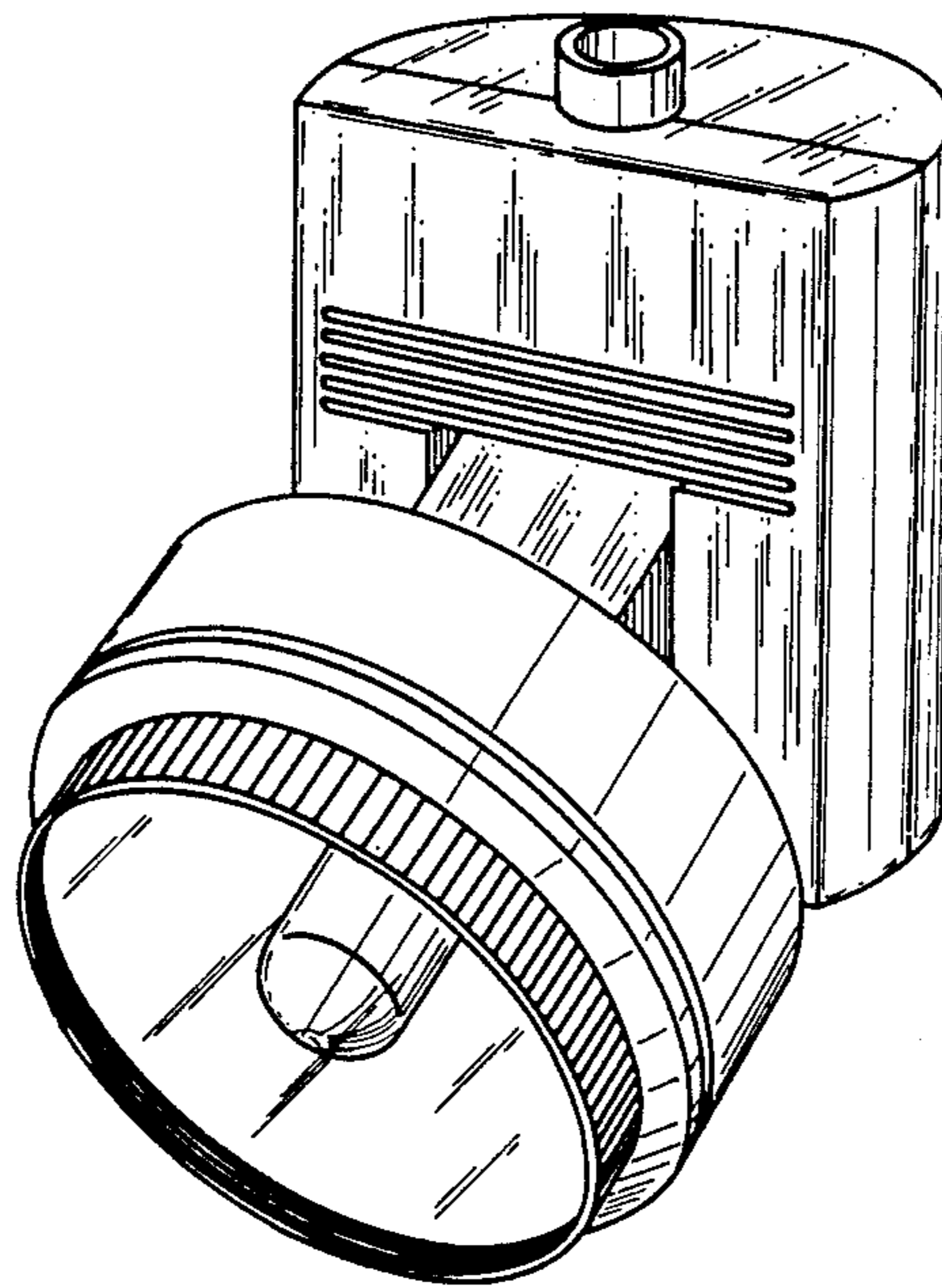
Primary Examiner—Susan J. Lucas
Attorney, Agent, or Firm—Robert T. Mayer

[57] CLAIM

The ornamental design for an adjustable spotlight, as shown.

DESCRIPTION

FIG. 1 is a front, top and right side perspective view of an adjustable spotlight showing our new design; FIG. 2 is a front elevational view thereof; FIG. 3 is a rear elevational view thereof; and FIG. 4 is a top plan view thereof; FIG. 5 is a bottom plan view thereof; FIG. 6 is a right side elevational view thereof; FIG. 7 is a left side elevational view thereof.



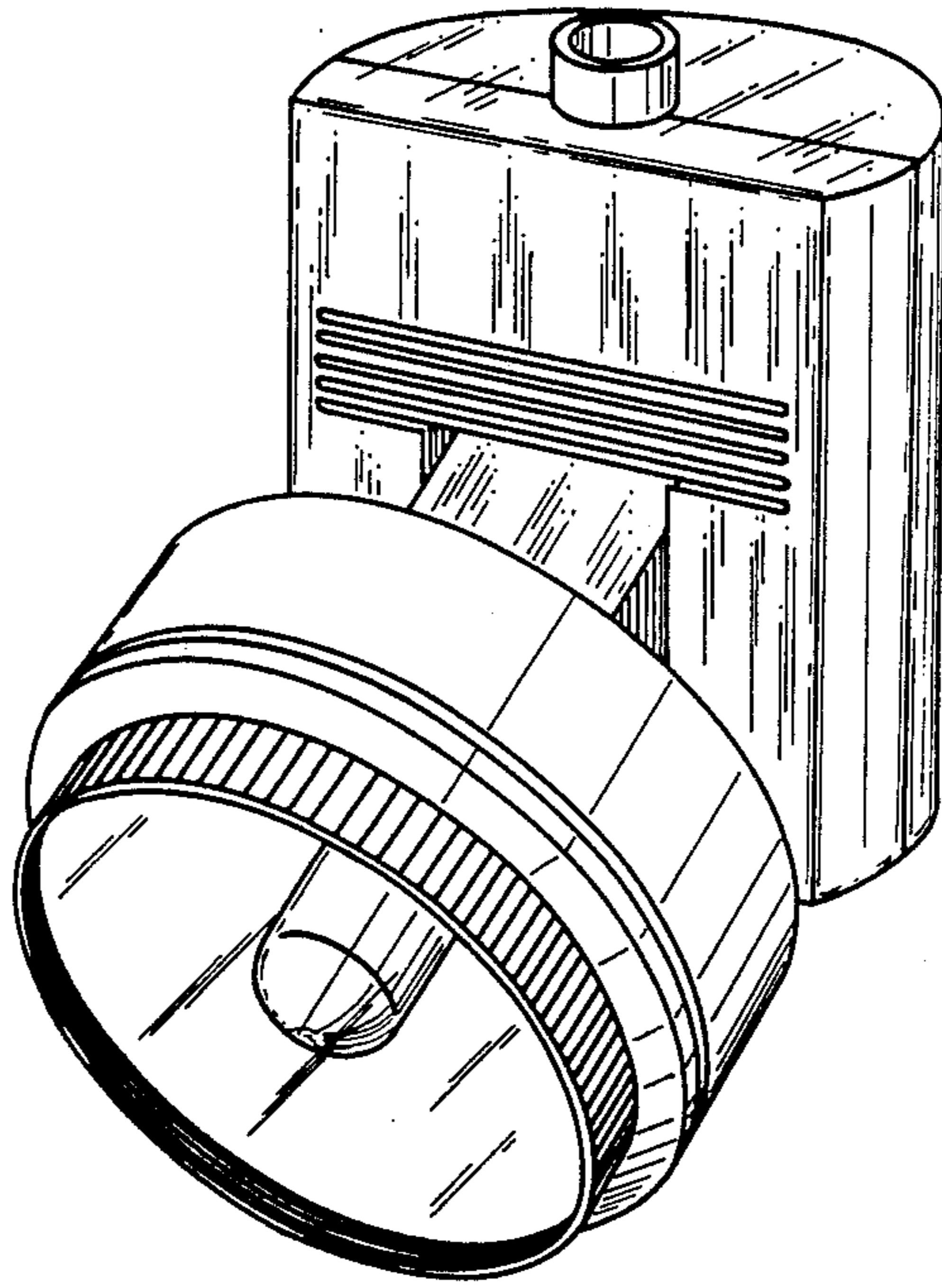


FIG.1

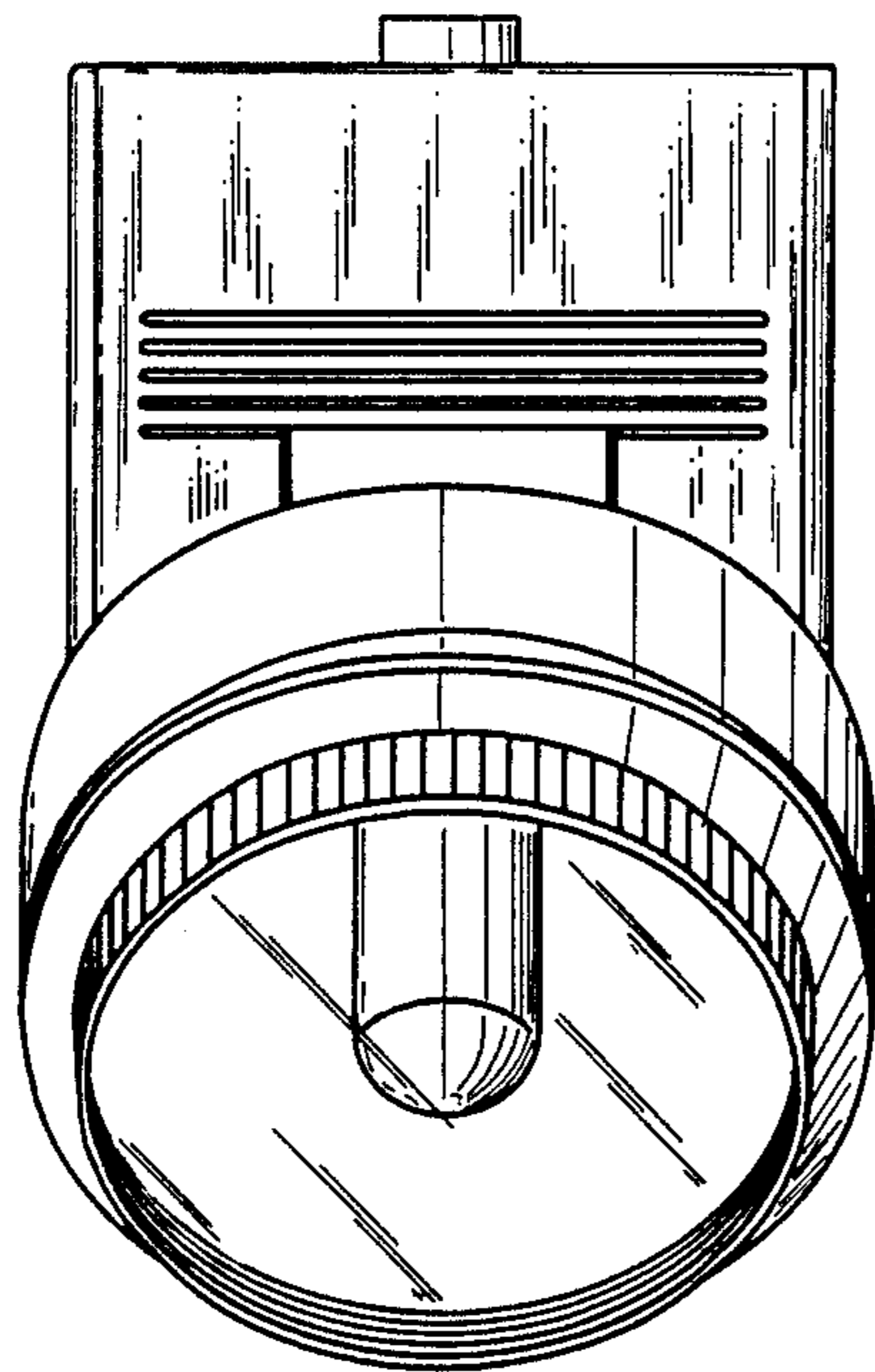


FIG. 2

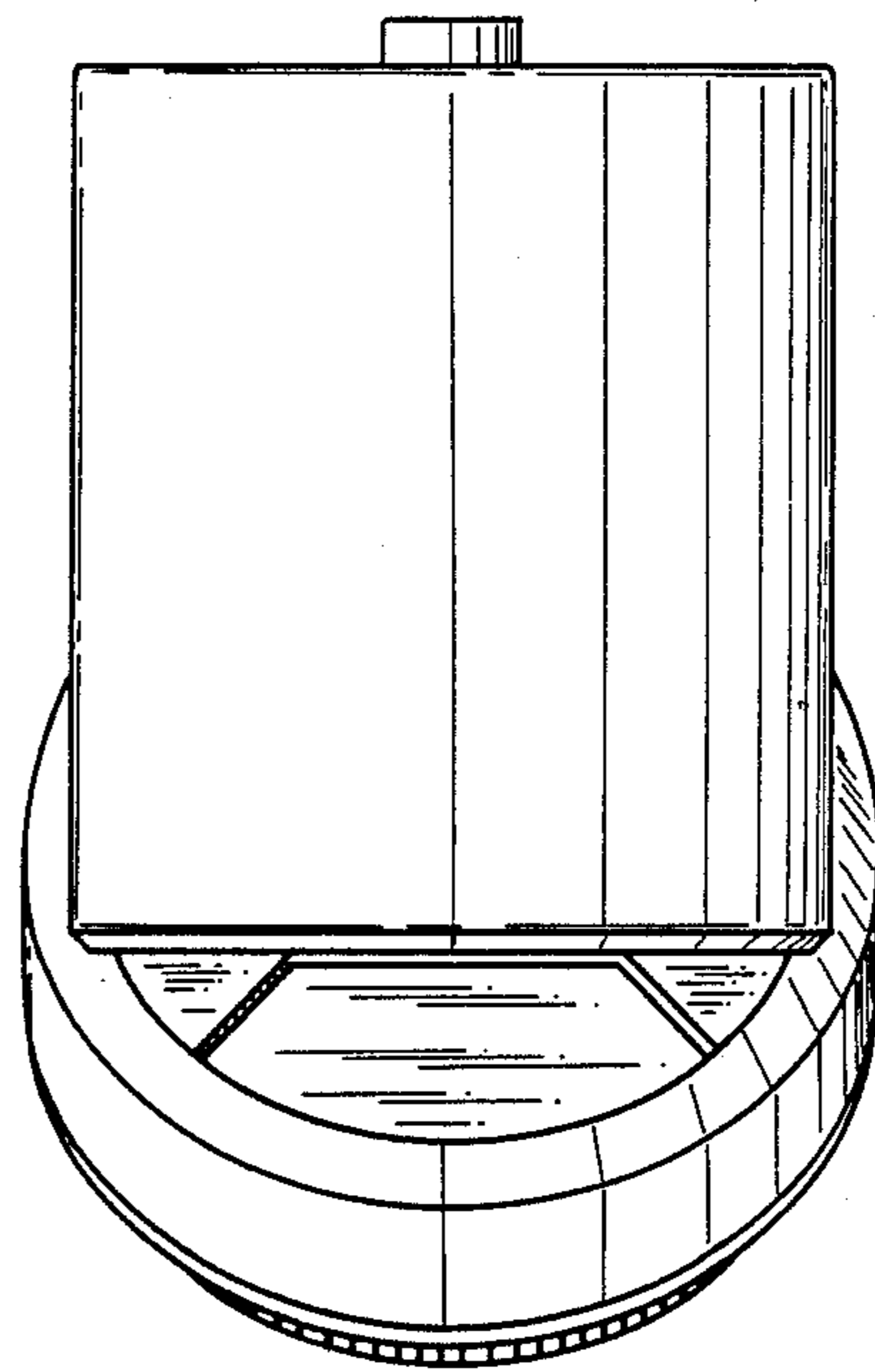


FIG. 3

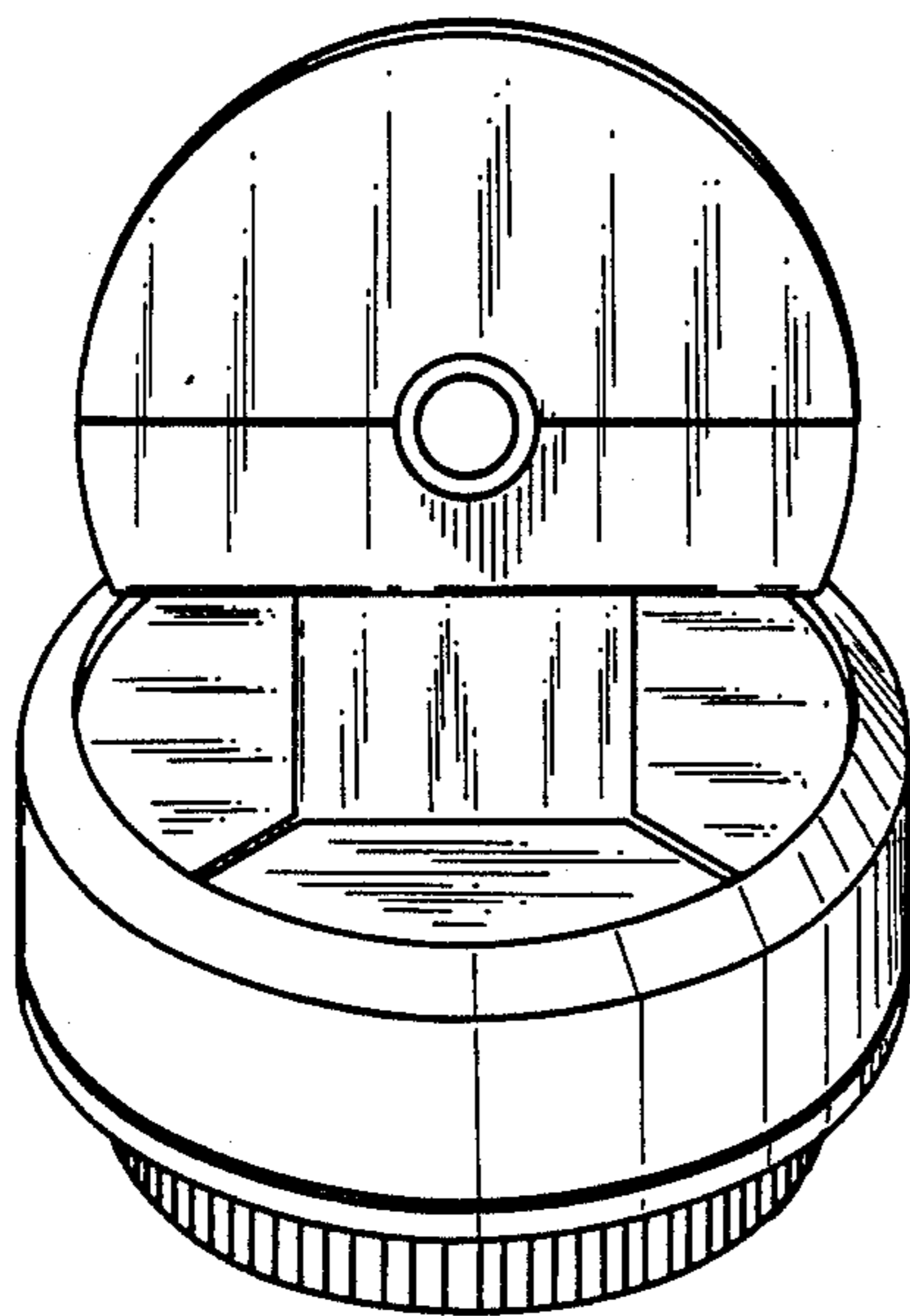


FIG. 4

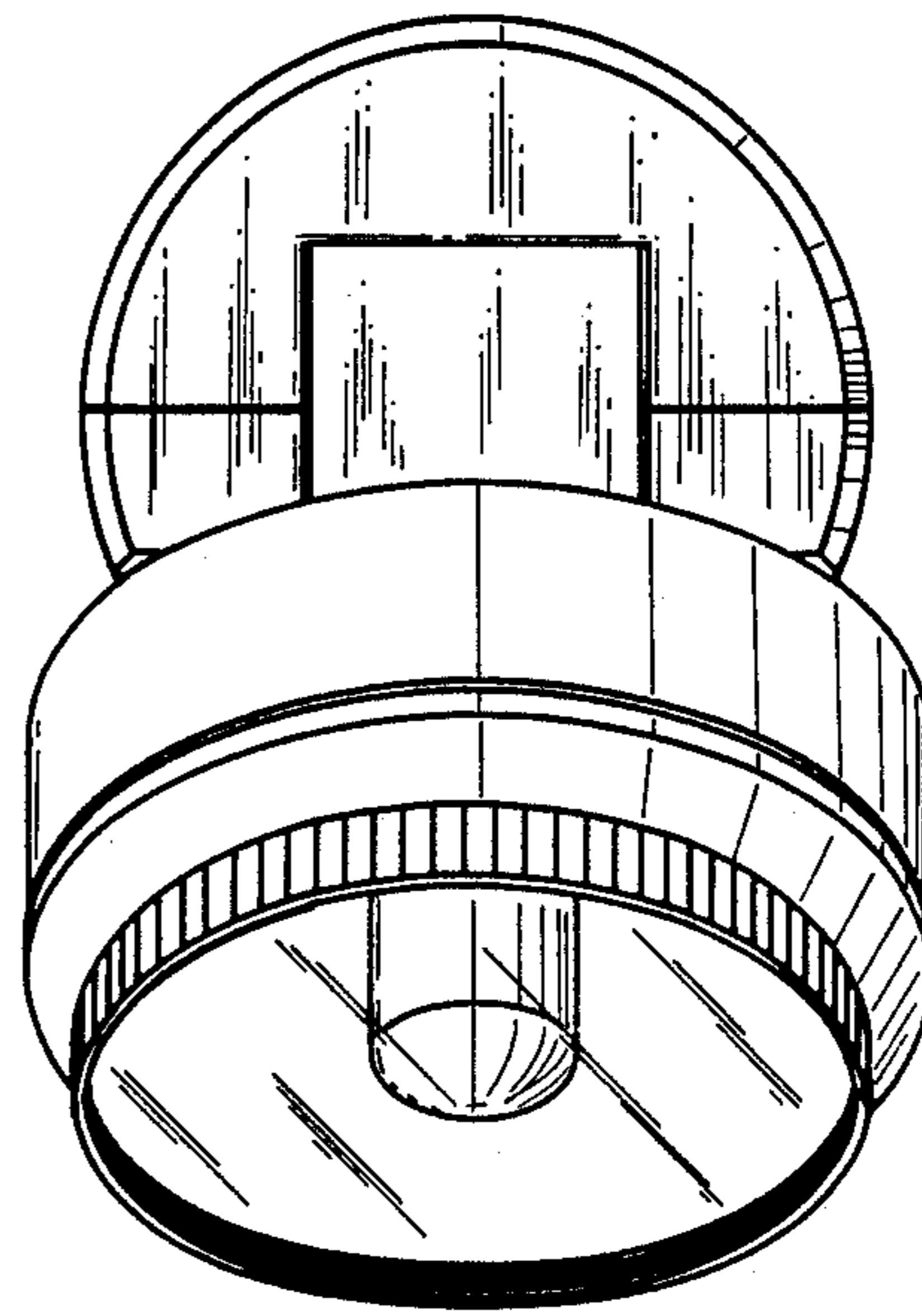


FIG. 5

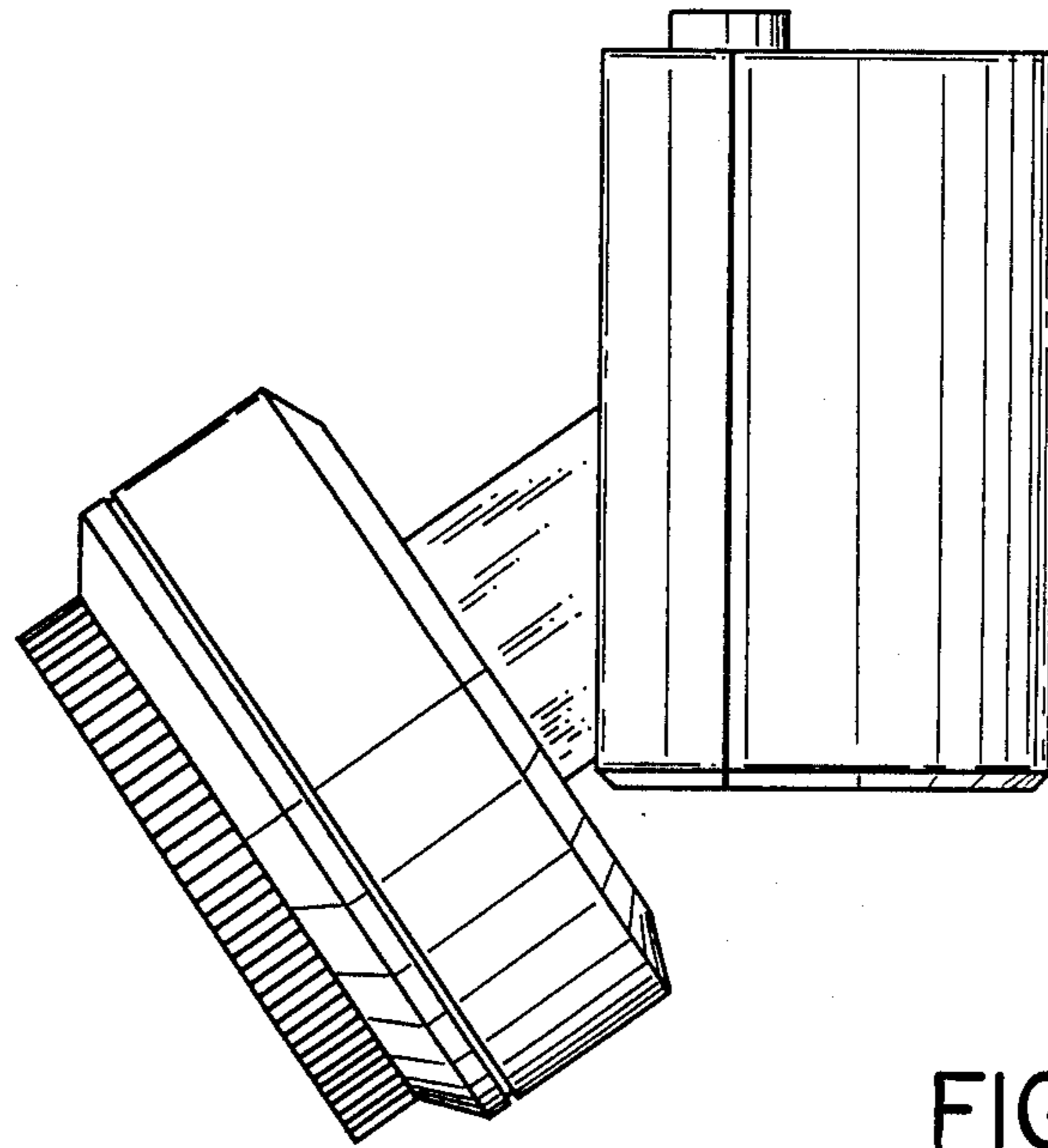


FIG. 6

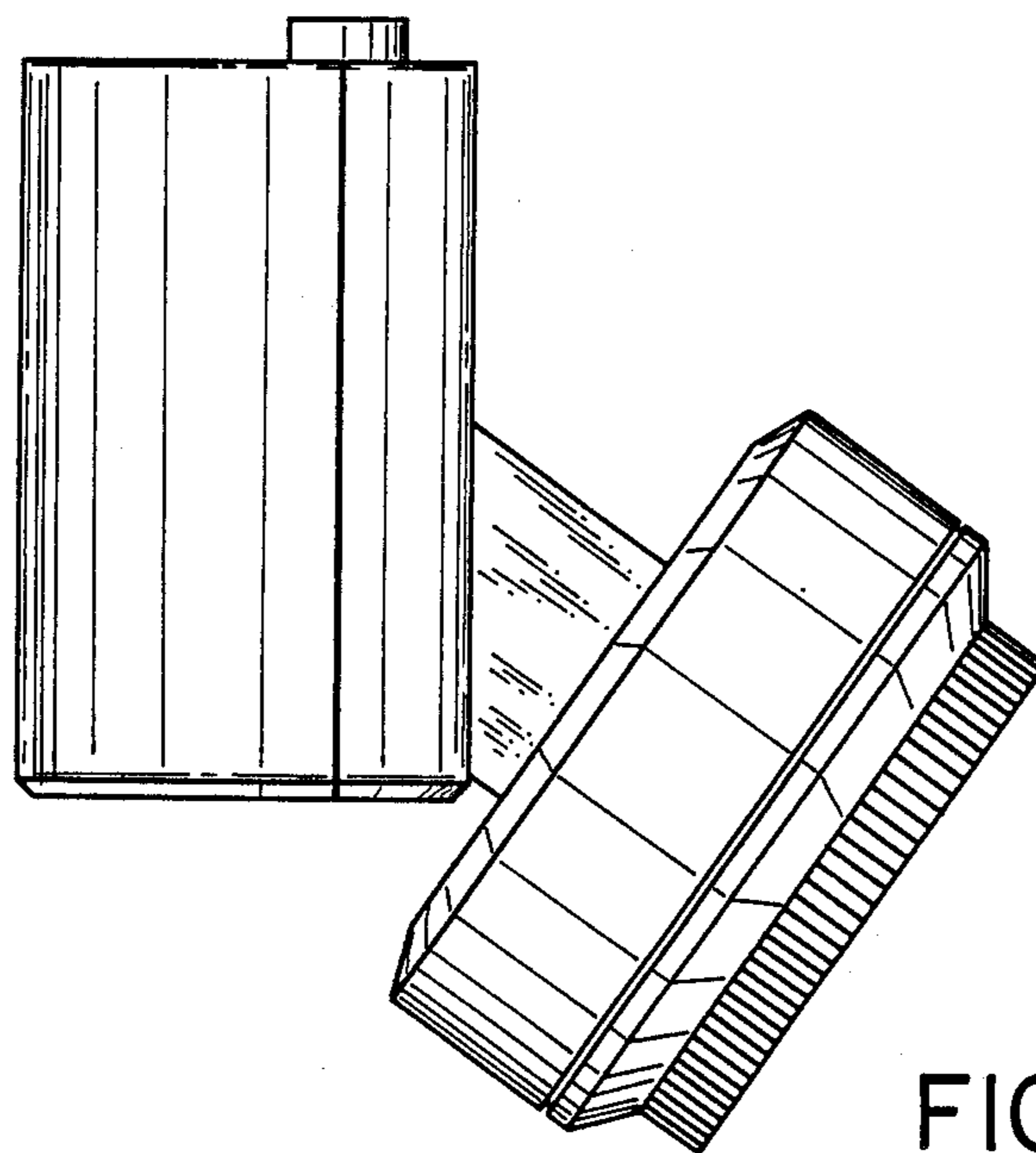


FIG. 7