

[54] **BODY FLUID SPECIMEN HOLDER**

[75] **Inventor:** Paul K. Hsei, Huntington Beach, Calif.

[73] **Assignee:** Smithkline Diagnostics, Inc., Sunnyvale, Calif.

[**] **Term:** 14 Years

[21] **Appl. No.:** 820,084

[22] **Filed:** Jan. 21, 1986

[52] **U.S. Cl.** D24/29; D24/56

[58] **Field of Search** D24/51, 56, 22, 29; 422/63, 64, 67, 68, 99, 102; 356/246, 440

[56] **References Cited**

U.S. PATENT DOCUMENTS

D. 287,639 1/1987 Moore et al. D24/56
3,948,605 4/1976 Atwood et al. 422/63
4,452,899 6/1984 Alston 422/63 X

Primary Examiner—A. Hugo Word
Assistant Examiner—Stella M. Reid
Attorney, Agent, or Firm—Stetina and Brunda

[57] **CLAIM**

The ornamental design for a body fluid specimen holder, as shown and described.

DESCRIPTION

FIG. 1 is a top plan view of a body fluid specimen holder, showing my new design;
FIG. 2 is a side elevational view thereof;
FIG. 3 is a bottom plan view thereof; and
FIG. 4 is a cross-sectional view taken along line 4—4 of FIG. 1.

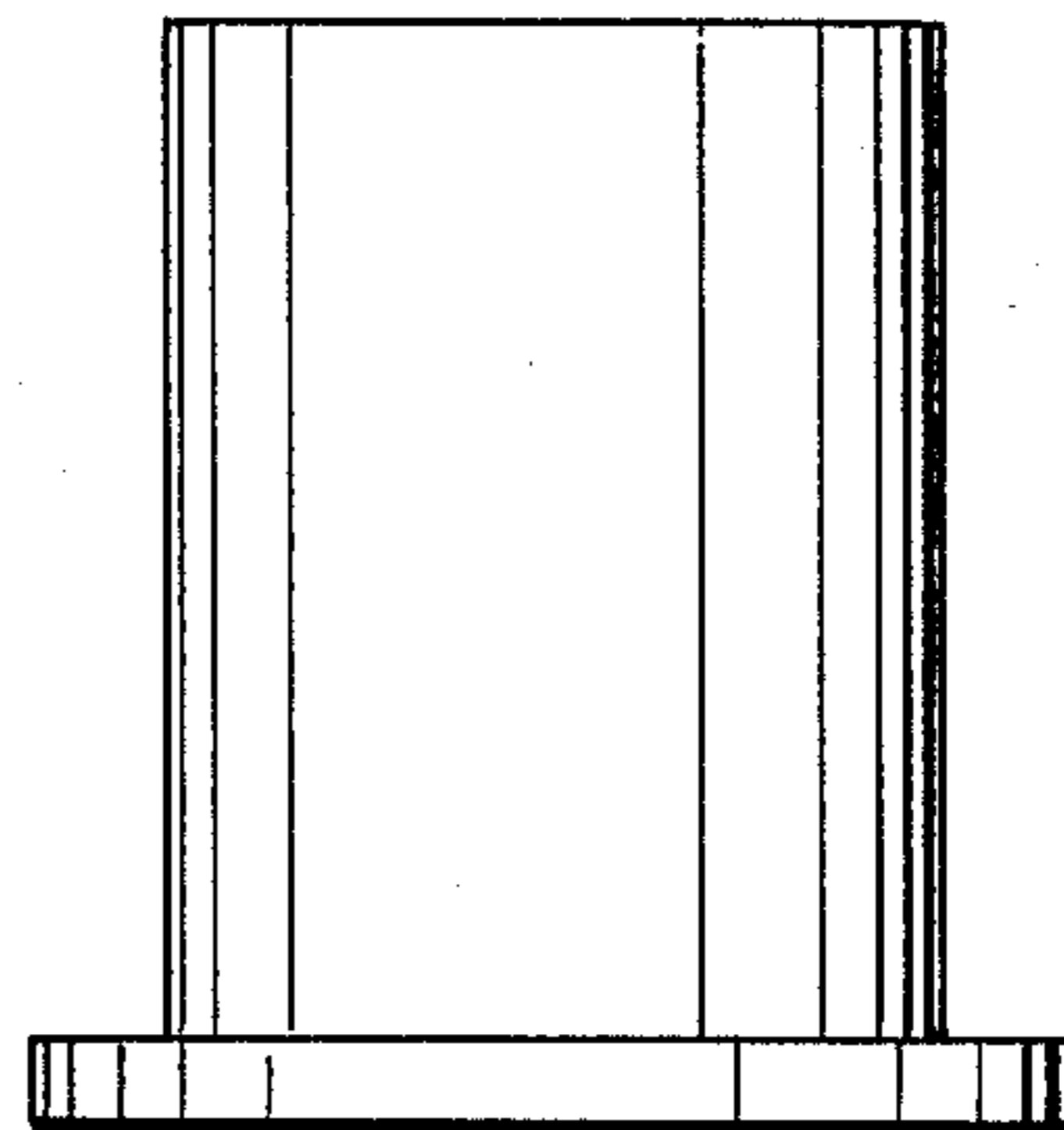
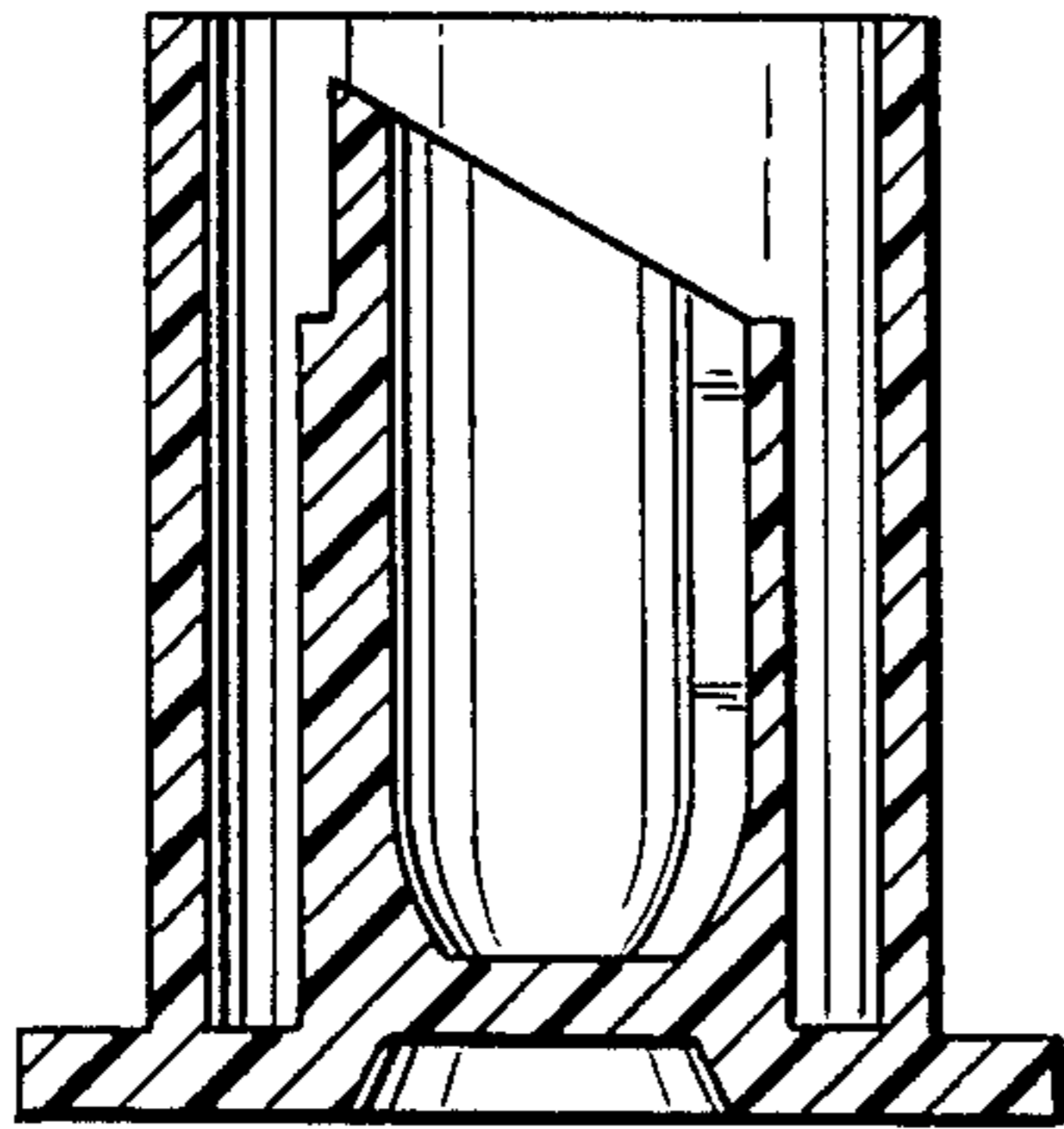


Fig. 1

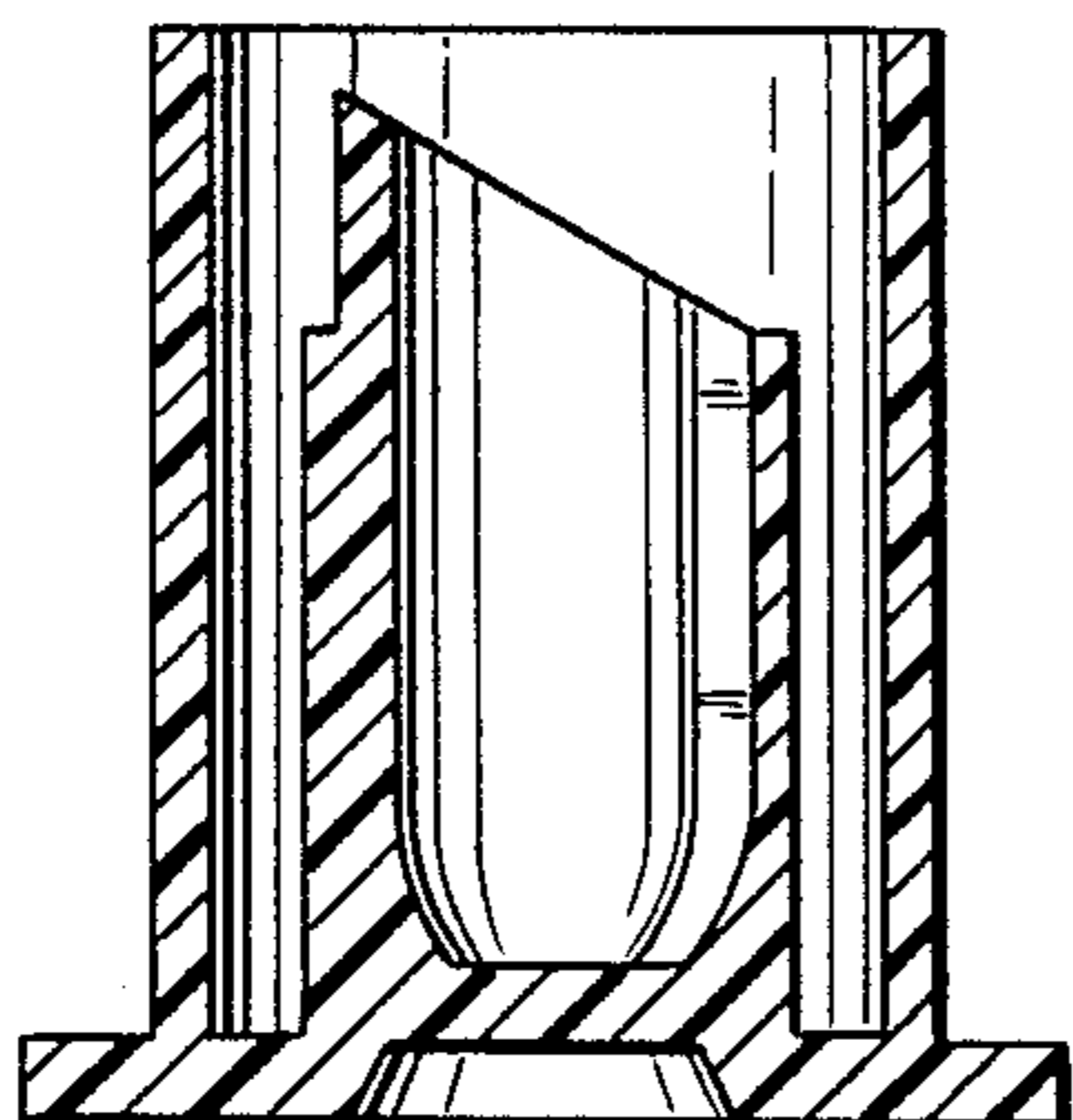
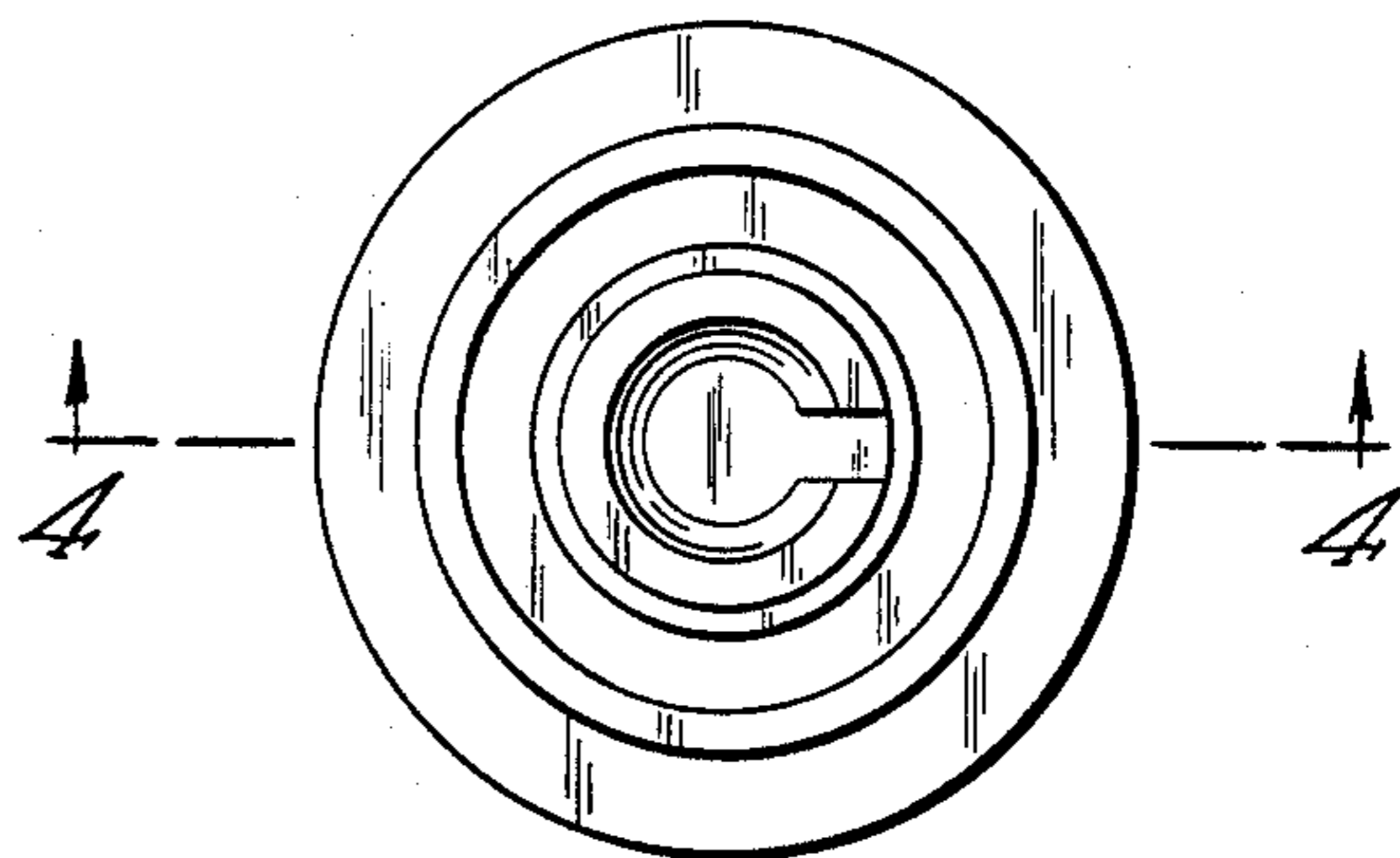


Fig. 4

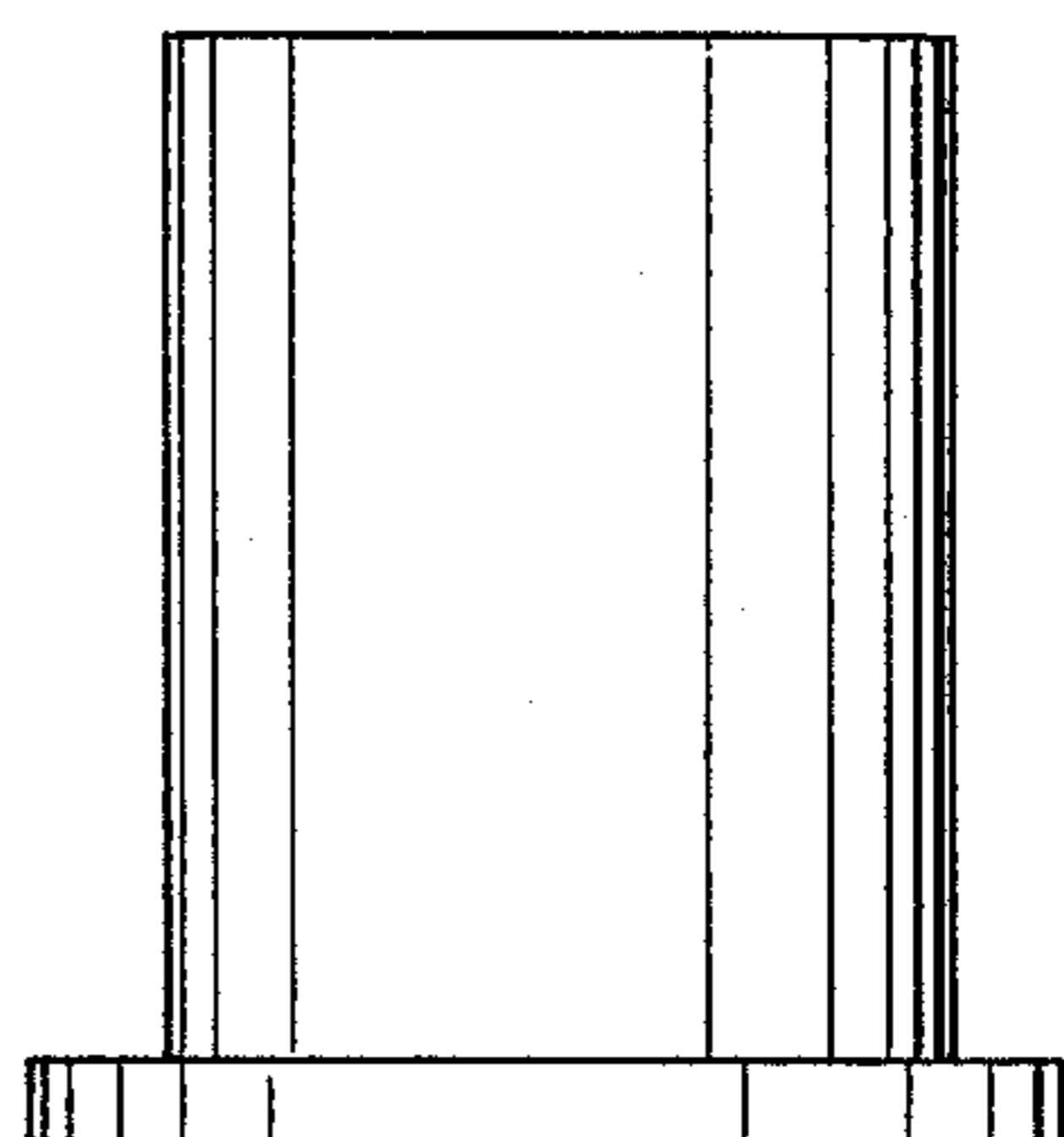


Fig. 2

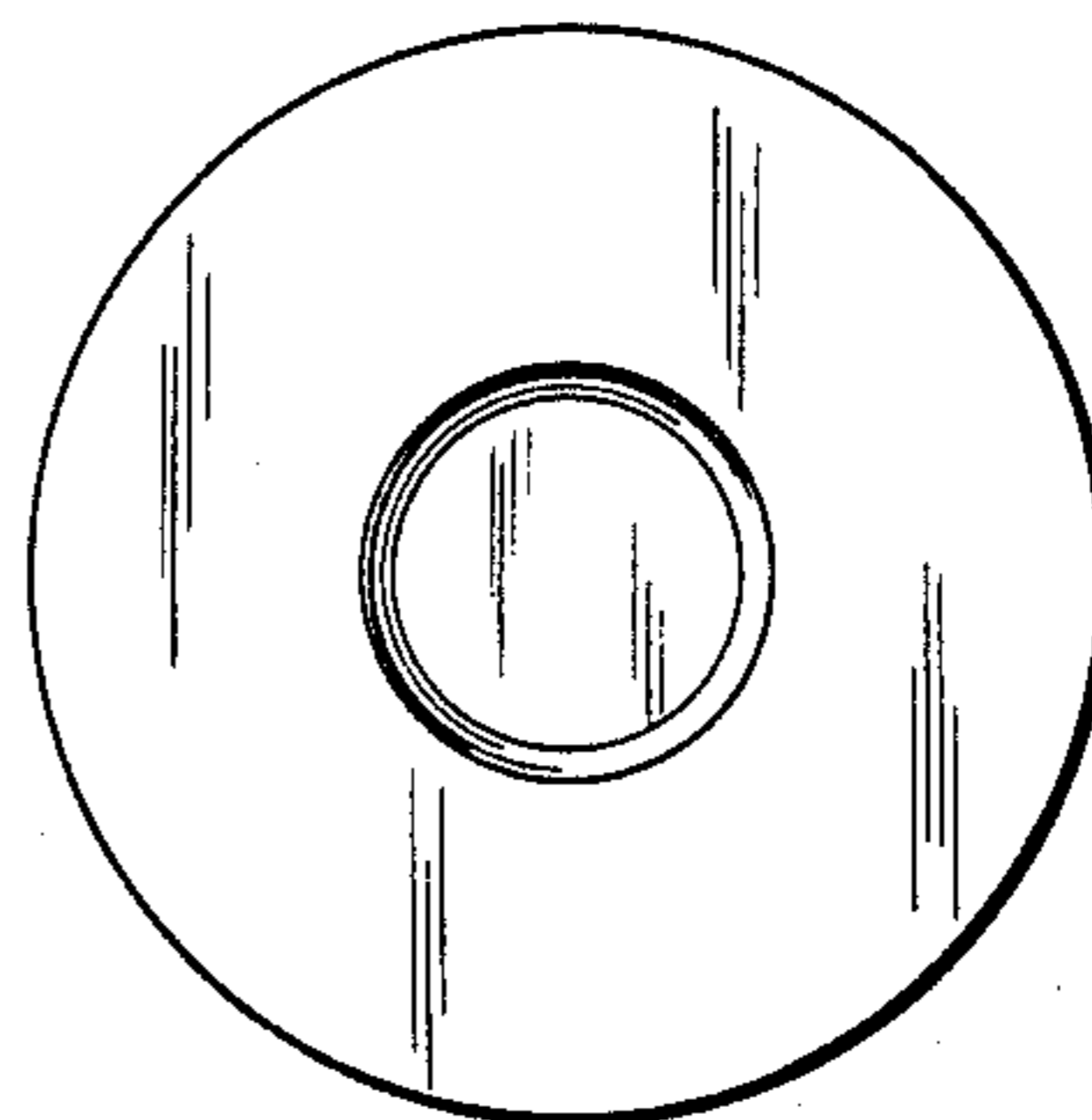


Fig. 3