

[54] **NEEDLE GUARD**

- [75] **Inventor:** Charles F. Barnett, Lenoir City,  
Tenn.
- [73] **Assignee:** Stik-Guard, Inc., Chattanooga, Tenn.
- [\*\*] **Term:** 14 Years
- [21] **Appl. No.:** 72,847
- [22] **Filed:** Jul. 14, 1987
- [52] **U.S. Cl.** ..... D24/25
- [58] **Field of Search** ..... D24/25, 24, 29;  
604/192, 193, 197, 198, 199, 263; D7/52, 68
- [56] **References Cited**

U.S. PATENT DOCUMENTS			
D. 27,638	9/1897	Gray .....	D24/25
D. 230,652	3/1974	Zimmerman .....	D24/29
3,107,785	10/1963	Roehr .....	206/63.2
4,317,446	3/1982	Ambrosio .....	128/218 R
4,573,975	3/1986	Frist et al. ....	604/192
4,623,336	11/1986	Pedicano .....	604/192
4,631,057	12/1986	Mitchell .....	604/198
4,654,034	3/1987	Masters .....	604/192

**FOREIGN PATENT DOCUMENTS**

1491746 10/1969 Fed. Rep. of Germany .  
3433359 4/1987 United Kingdom .

**OTHER PUBLICATIONS**

Advertisement of Comp Equipment for "CompGuard"  
dated Nov. 16, 1983.

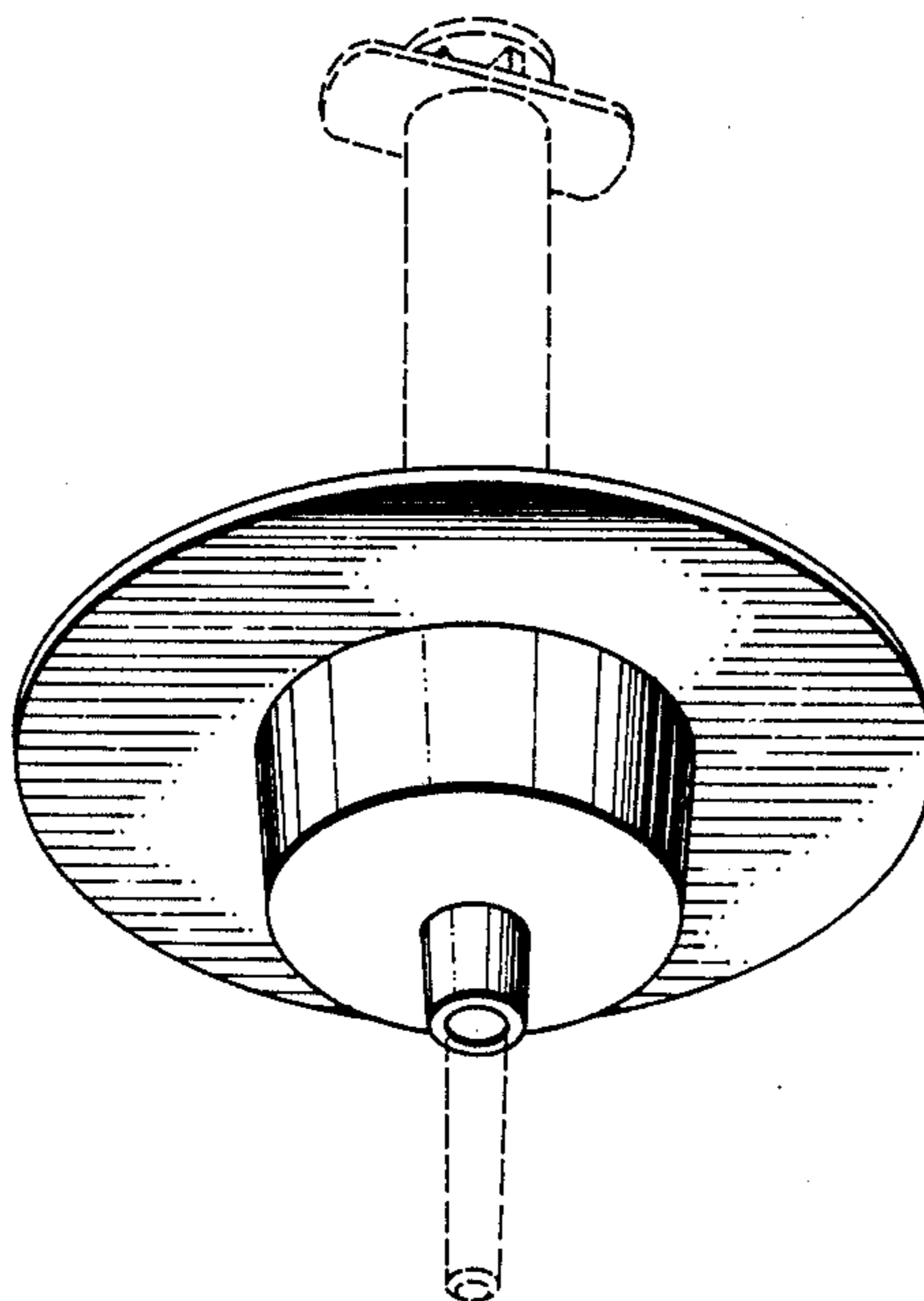
*Primary Examiner*—Wallace R. Burke  
*Assistant Examiner*—Stella M. Reid  
*Attorney, Agent, or Firm*—Luedeka, Hodges & Neely

[57] **CLAIM**

The ornamental design for a needle guard, as shown and described.

**DESCRIPTION**

FIG. 1 is a top perspective view of a needle guard showing my new design;  
FIG. 2 is a bottom perspective view thereof;  
FIG. 3 is a bottom plan view thereof;  
FIG. 4 is a top plan view thereof; and  
FIG. 5 is a side elevational view thereof.  
The broken line showing of the syringe and needle cap in FIGS. 1 and 2 is for illustrative purposes only and forms no part of the claimed design.



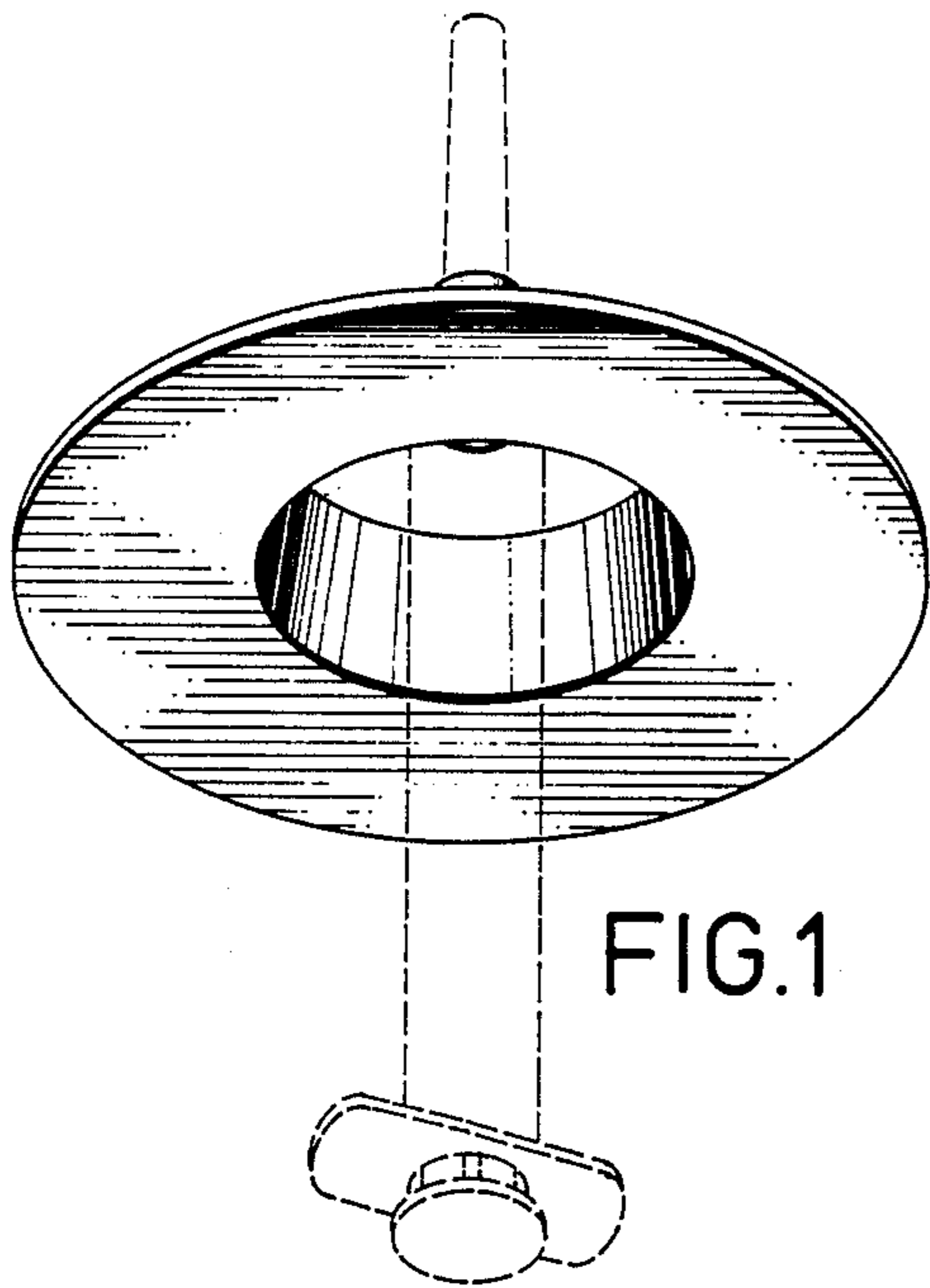


FIG. 1

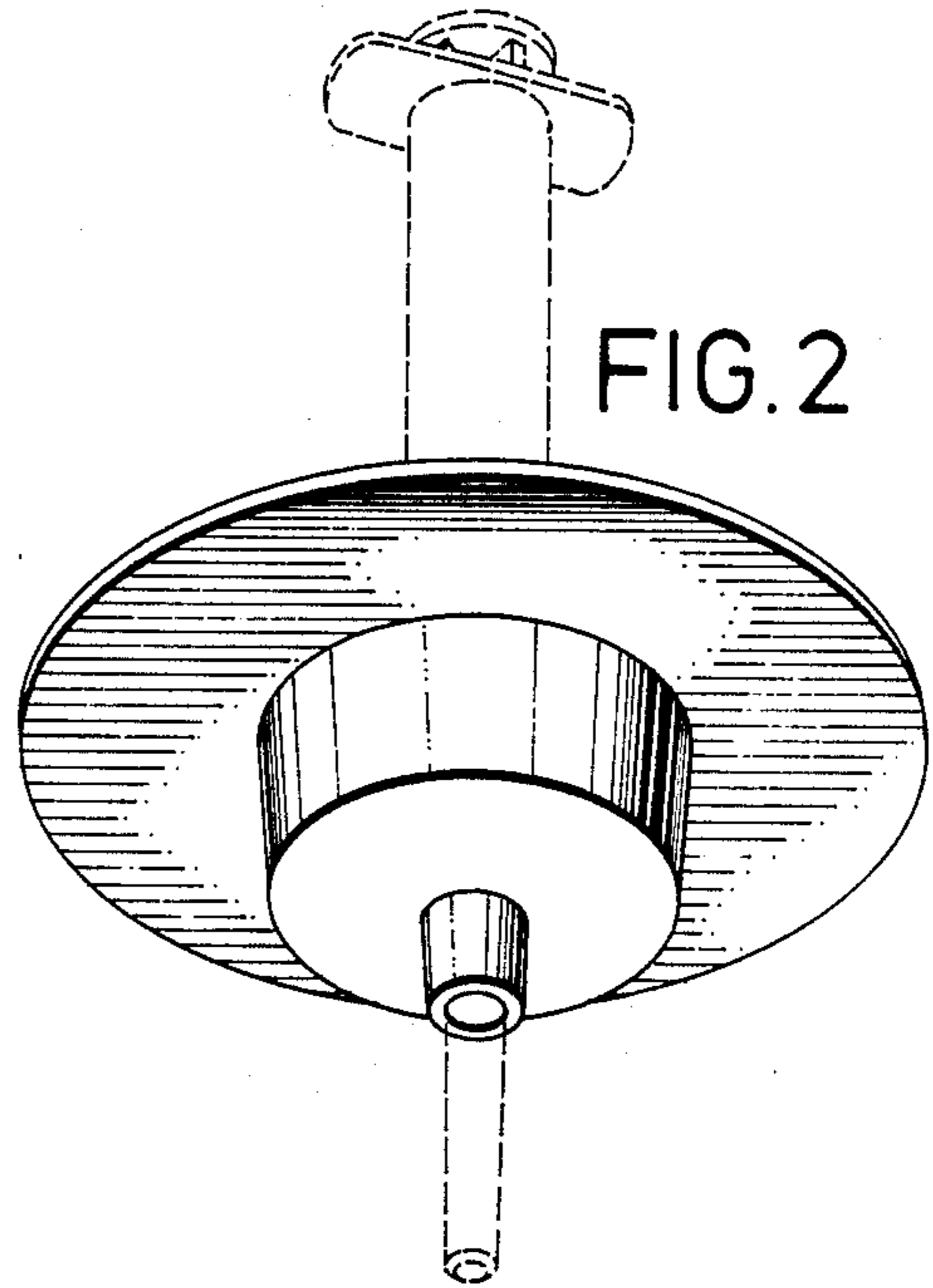


FIG. 2

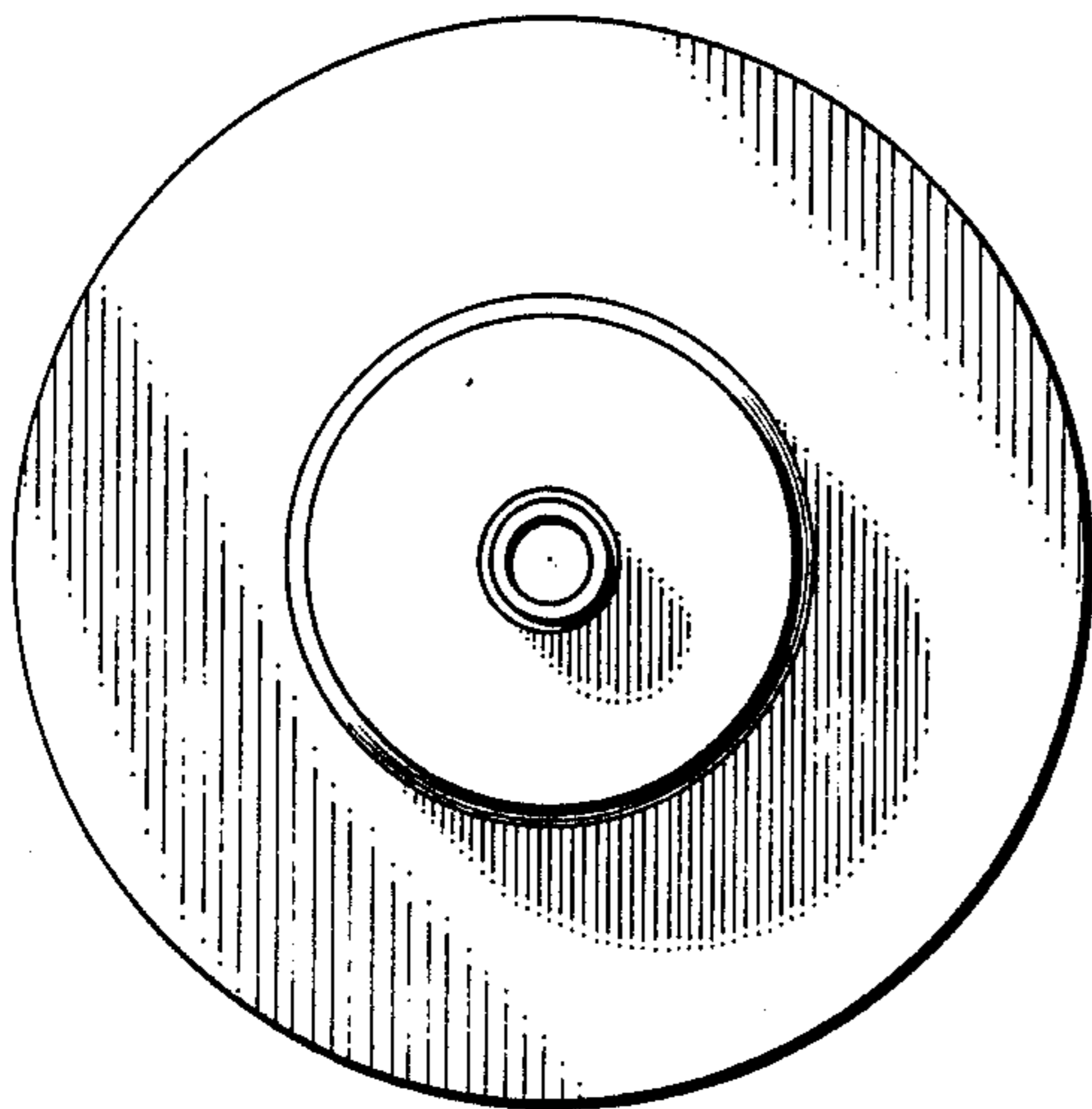


FIG. 3

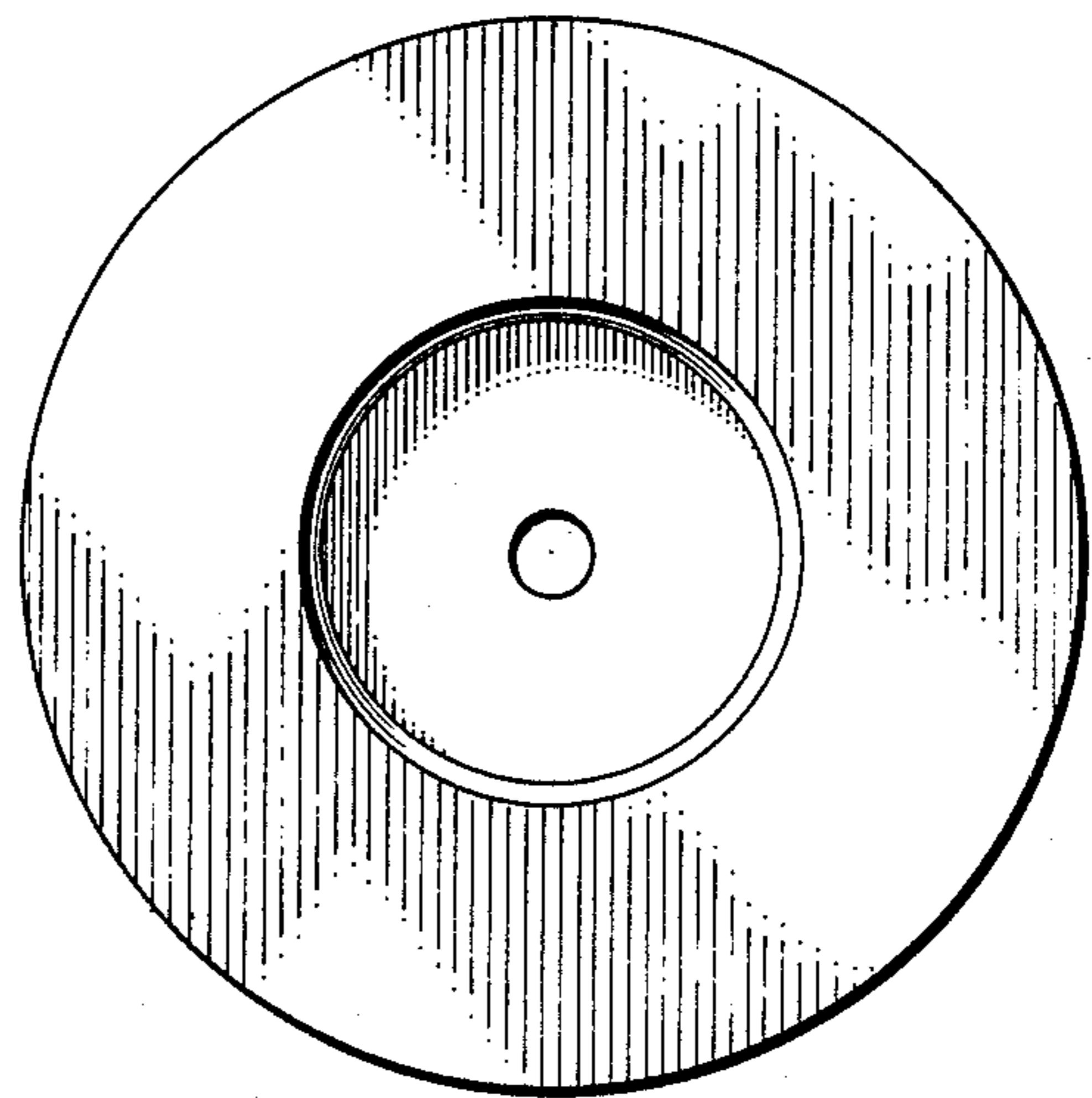


FIG. 4

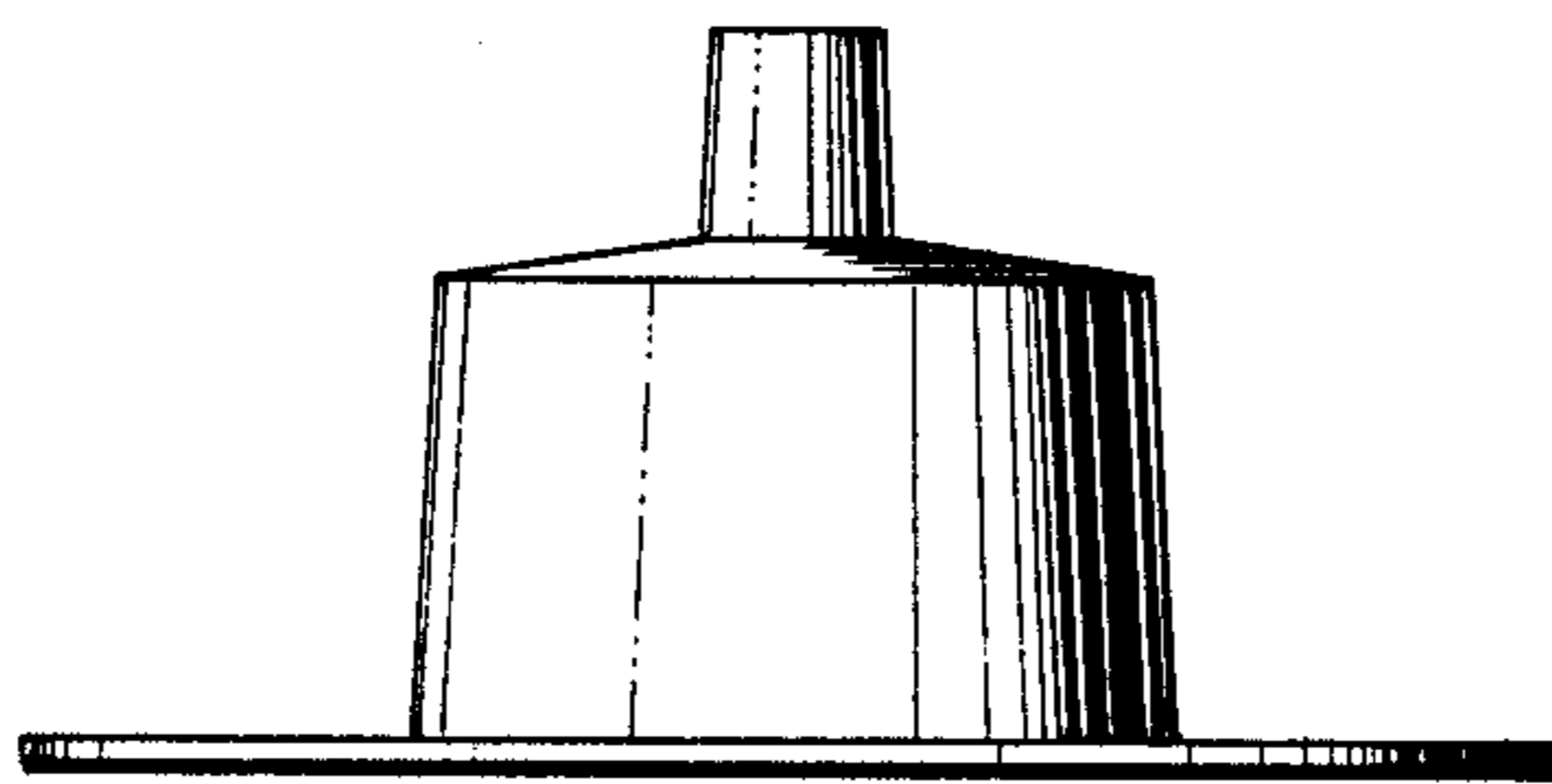


FIG. 5