

[54] **CEILING FAN**

- [75] Inventor: **Edward P. Cheslock, Oxford, Pa.**
[73] Assignee: **Lasko Metal Products, Inc., West Chester, Pa.**
[**] Term: **14 Years**
[21] Appl. No.: **72,234**
[22] Filed: **Jul. 10, 1987**
[52] U.S. Cl. **D23/385; D23/379**
[58] Field of Search **D23/370, 377, 379, 385; D26/51, 59; 416/5; 362/147, 294, 404**

[56] **References Cited**

U.S. PATENT DOCUMENTS

- D. 270,942 10/1983 McCain D23/379
4,666,670 5/1987 Cox 416/5 X

OTHER PUBLICATIONS

Casablanca Fan Co. catalogue, SP-7, Jan. 1982, p. 22, Fan Blade No. 3.
Supreme Fan, "Mark I" brochure, 1981.

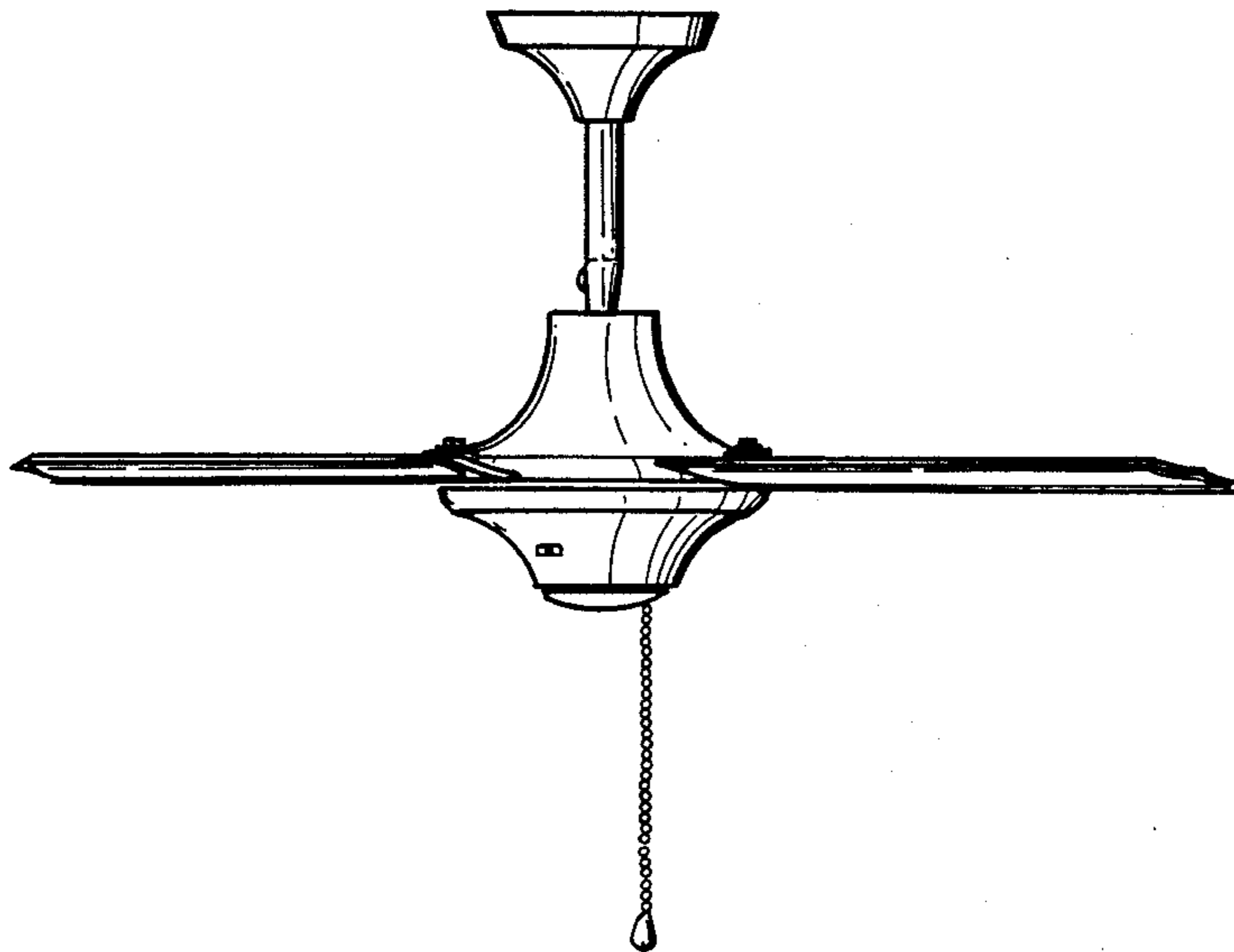
Primary Examiner—Wallace R. Burke
Assistant Examiner—Brian N. Vinson
Attorney, Agent, or Firm—Z. T. Wobensmith, III

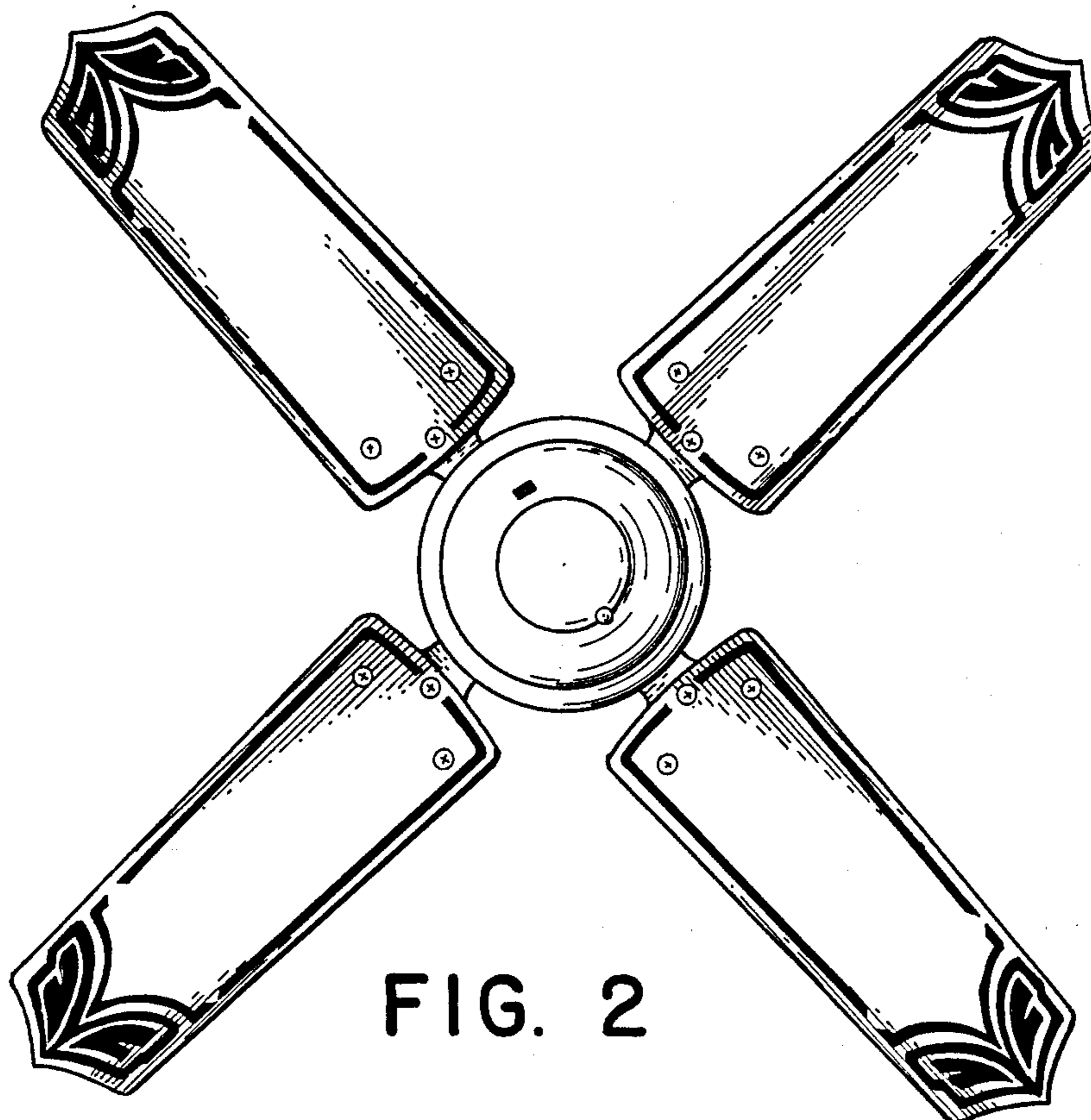
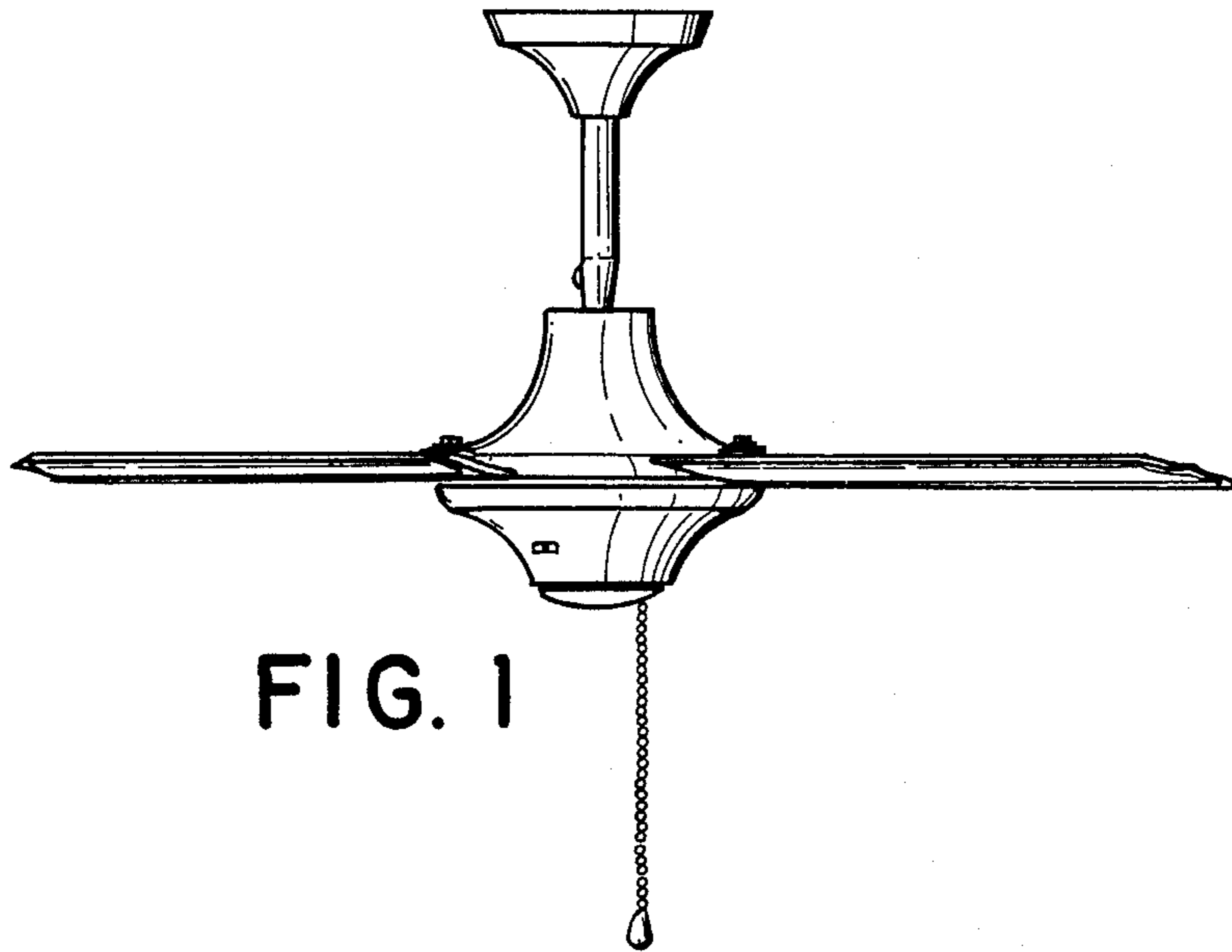
[57] **CLAIM**

The ornamental design for a ceiling fan, as shown and described.

DESCRIPTION

FIG. 1 is a side elevational view of a ceiling fan showing my new design, the adjacent sides being substantially similar in appearance;
FIG. 2 is a bottom plan view thereof;
FIG. 3 is an opposite side elevational view thereof, with the fan blades shown rotated slightly; and
FIG. 4 is a top plan view thereof.





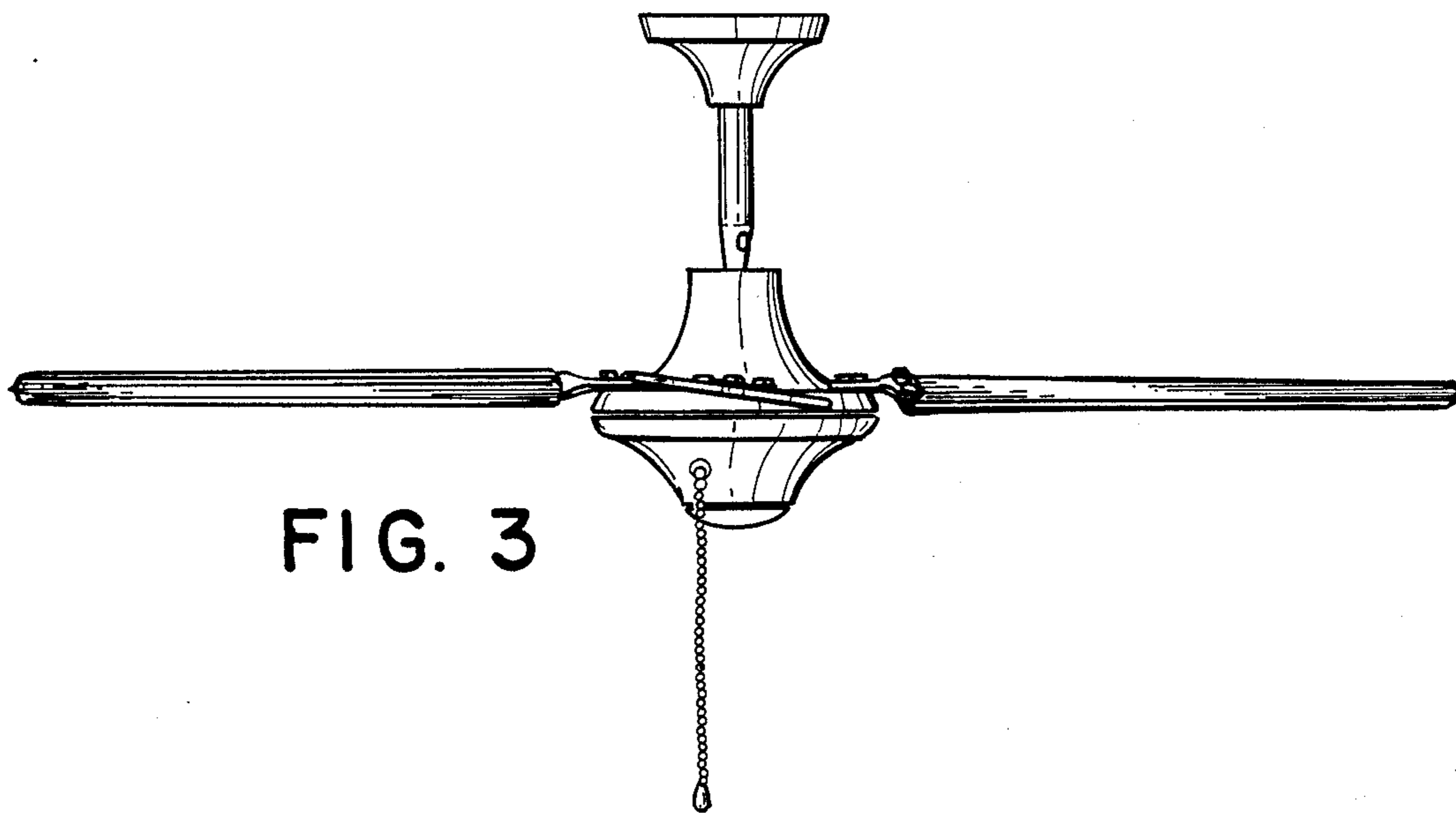


FIG. 3

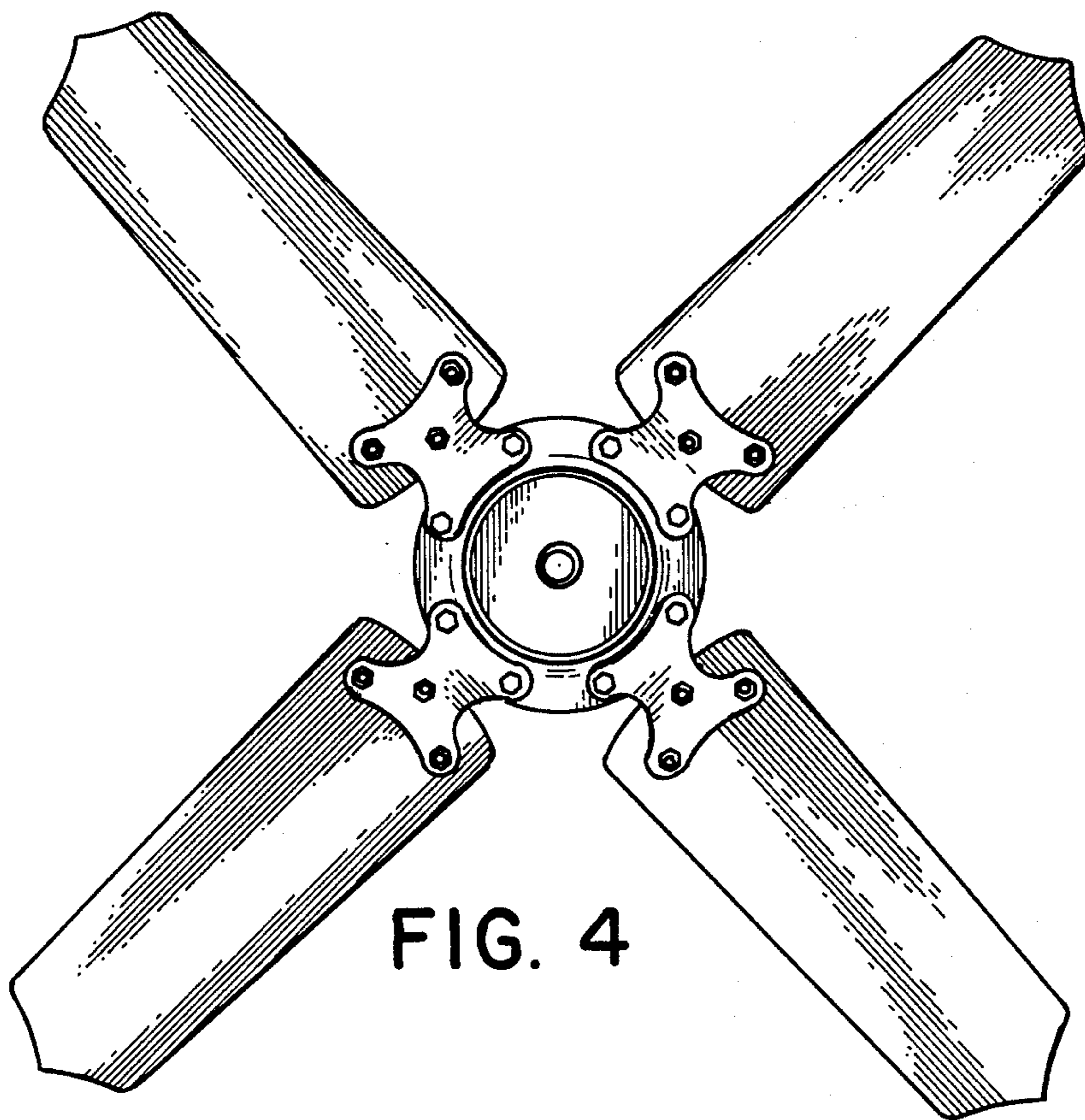


FIG. 4