

[54] **FAUCET HANDLE**

[75] **Inventor: Loran R. Hill, Indianapolis, Ind.**

[73] **Assignee: Masco Corporation of Indiana,  
Taylor, Mich.**

[\*\*] **Term: 14 Years**

[21] **Appl. No.: 897,719**

[22] **Filed: Aug. 18, 1986**

[52] **U.S. Cl. .... D23/252; D8/308**

[58] **Field of Search .... D23/238-243,  
D23/250-254; D8/300, 307-312; 16/110, 118,  
121**

[56] **References Cited**

**U.S. PATENT DOCUMENTS**

D. 187,206	2/1960	Dreyfuss .....	D23/252
D. 213,874	4/1969	Landell et al. ....	D23/238
D. 221,431	8/1971	Petterson .....	D23/252
D. 238,928	2/1976	Kipp .....	D23/252
D. 290,492	6/1987	Hill et al. ....	D23/238
D. 290,740	7/1987	Yost .....	D23/252

**OTHER PUBLICATIONS**

One sheet, p. 7, from a Price Pfister brochure.

*Primary Examiner*—James R. Largen

*Attorney, Agent, or Firm*—Steven L. Permut; Malcolm L. Sutherland

[57] **CLAIM**

The ornamental design for a faucet handle, as shown and described.

**DESCRIPTION**

FIG. 1 is a perspective view of a faucet handle showing my new design;

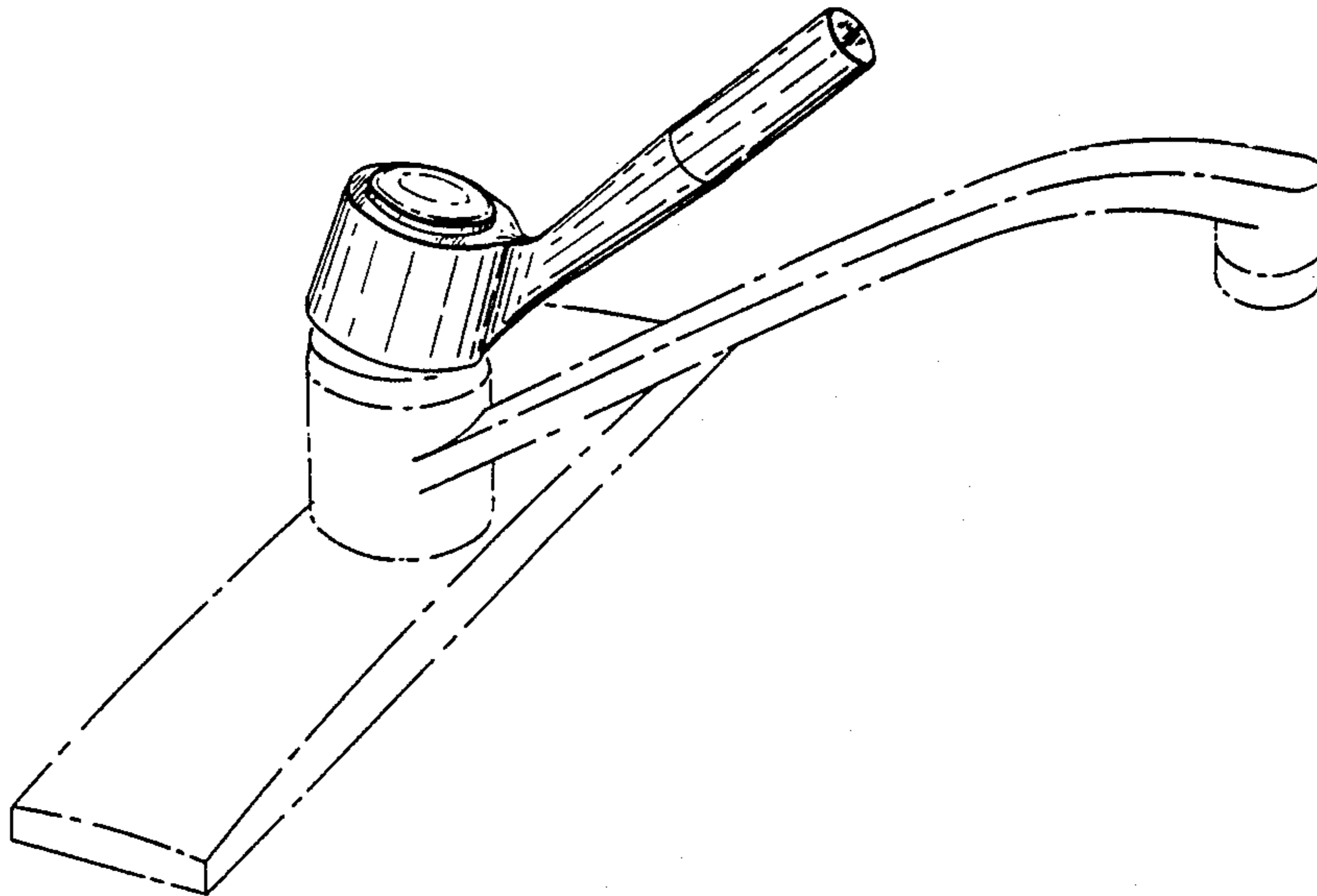
FIG. 2 is a top plan view thereof;

FIG. 3 is a rear elevational view thereof;

FIG. 4 is a left side elevational view thereof, the right side being a mirror image of the left side shown; and

FIG. 5 is a front elevational view thereof.

The broken line representation of a kitchen faucet in FIG. 1 is for purposes of illustration only and forms no part of the claimed design.



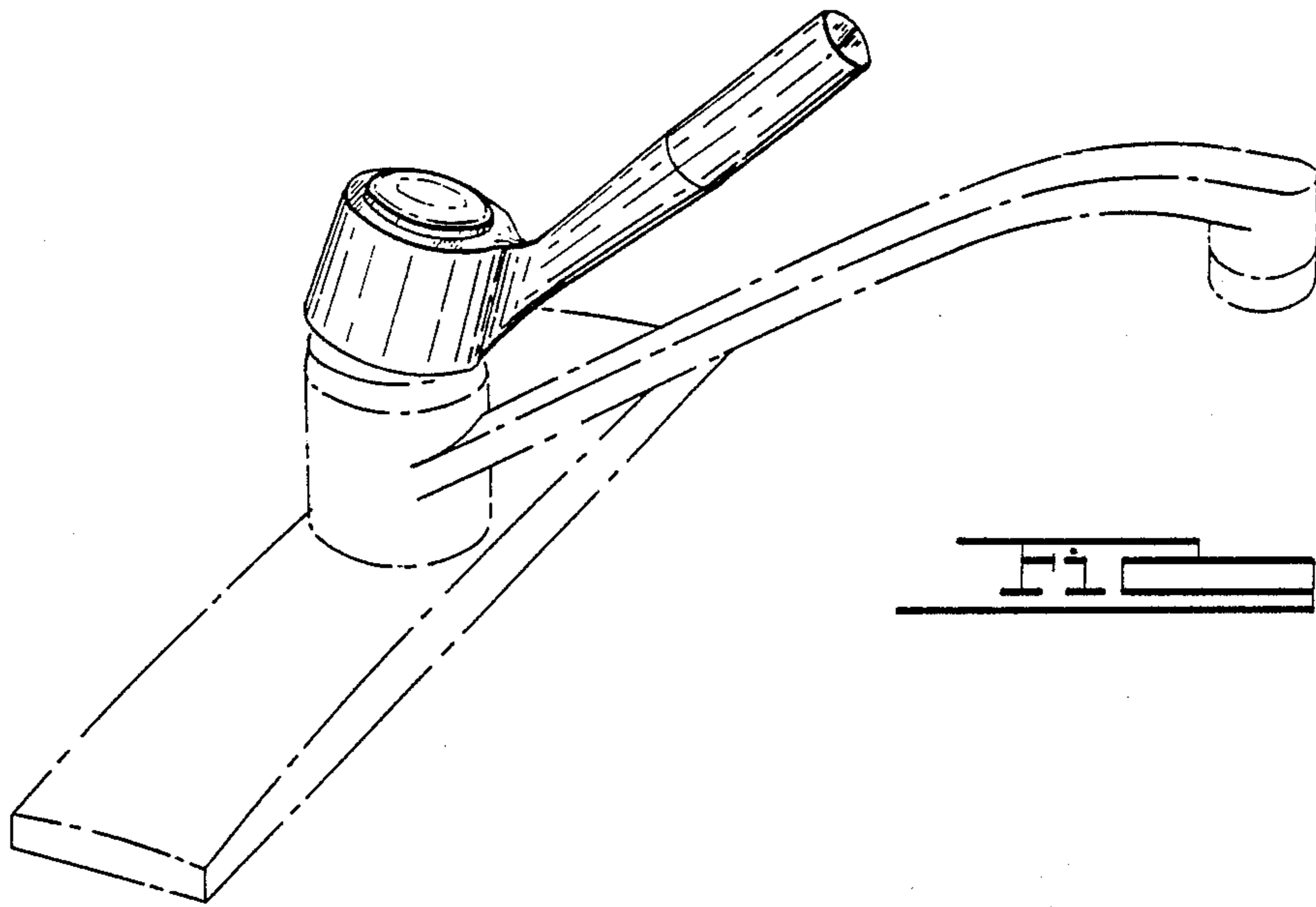


FIG. 1.

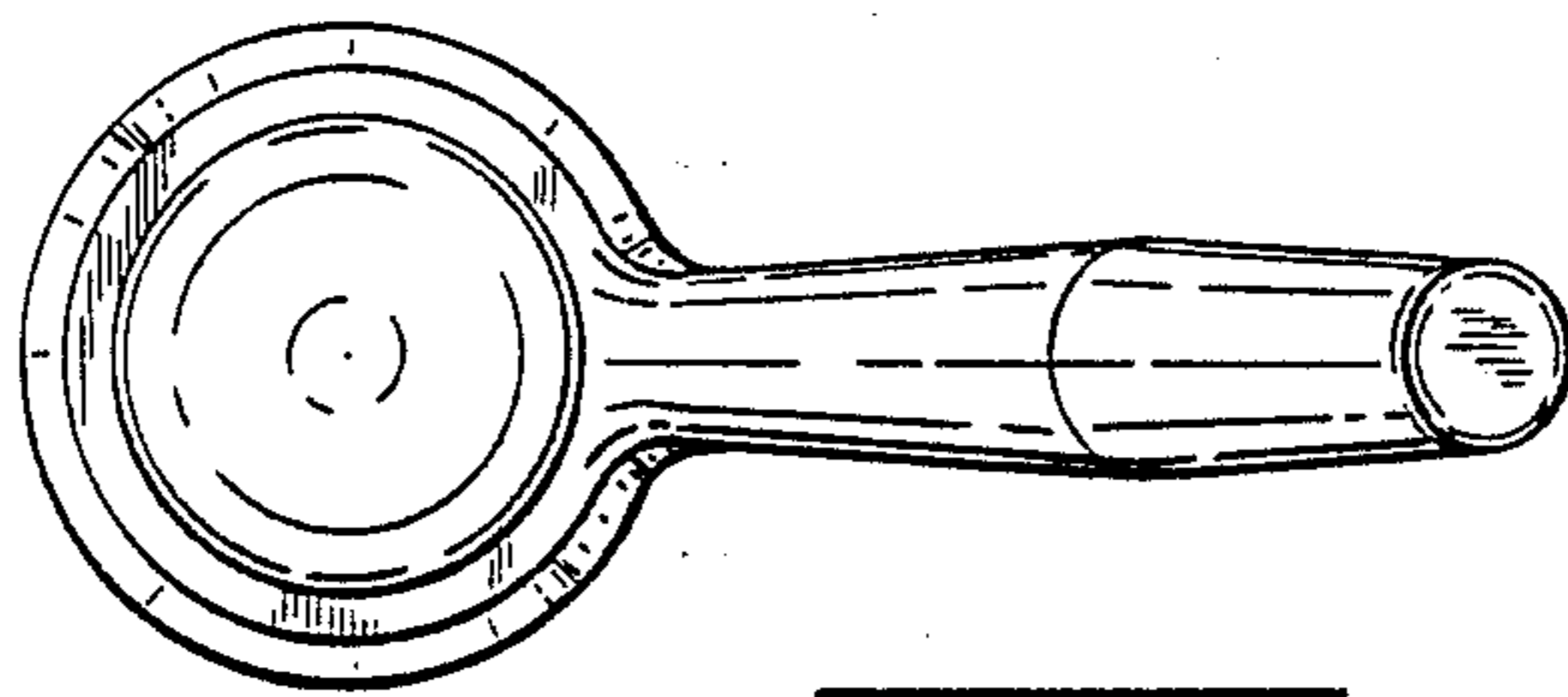


FIG. 2.

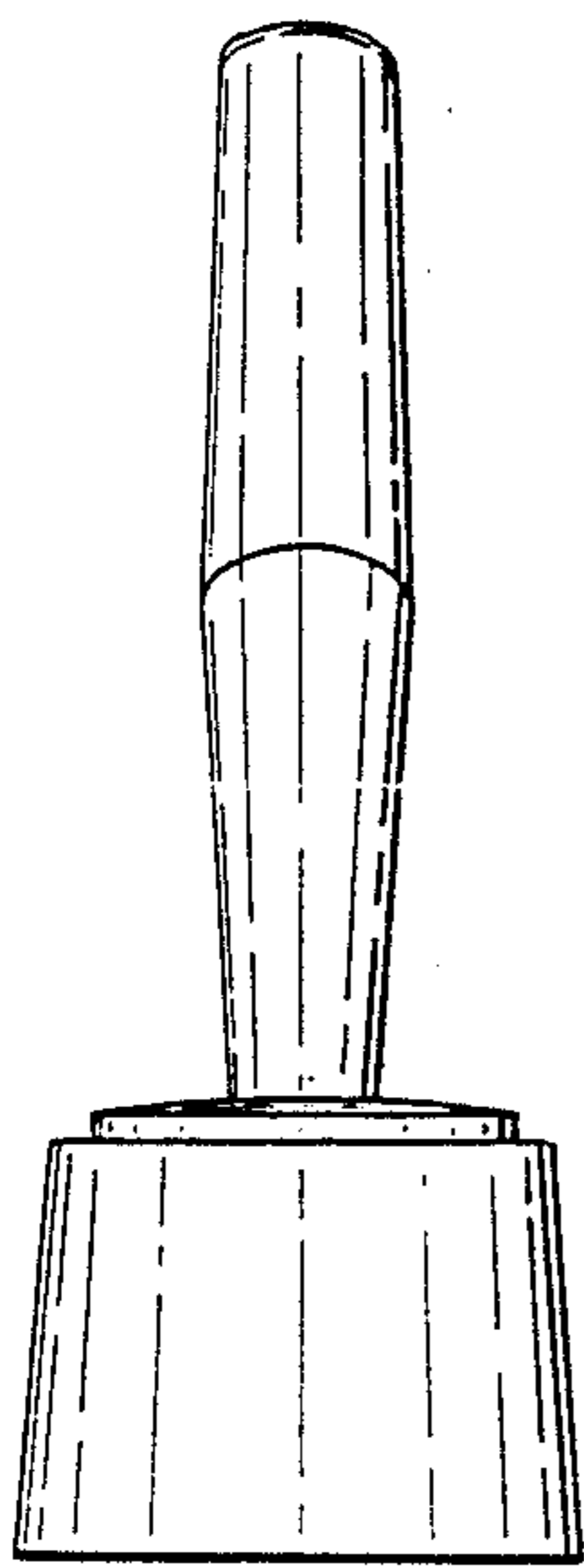


FIG. 3.

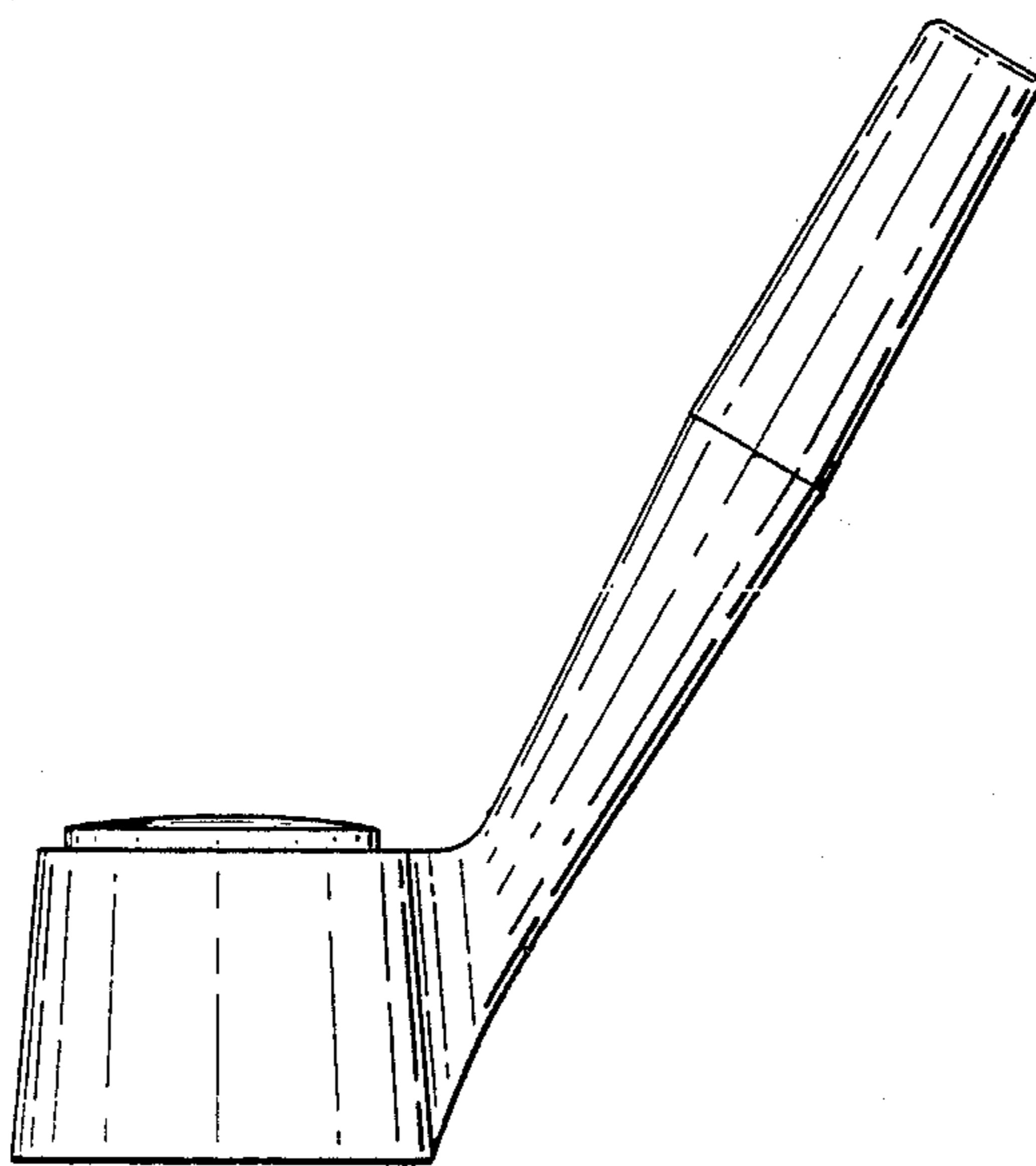


FIG. 4.

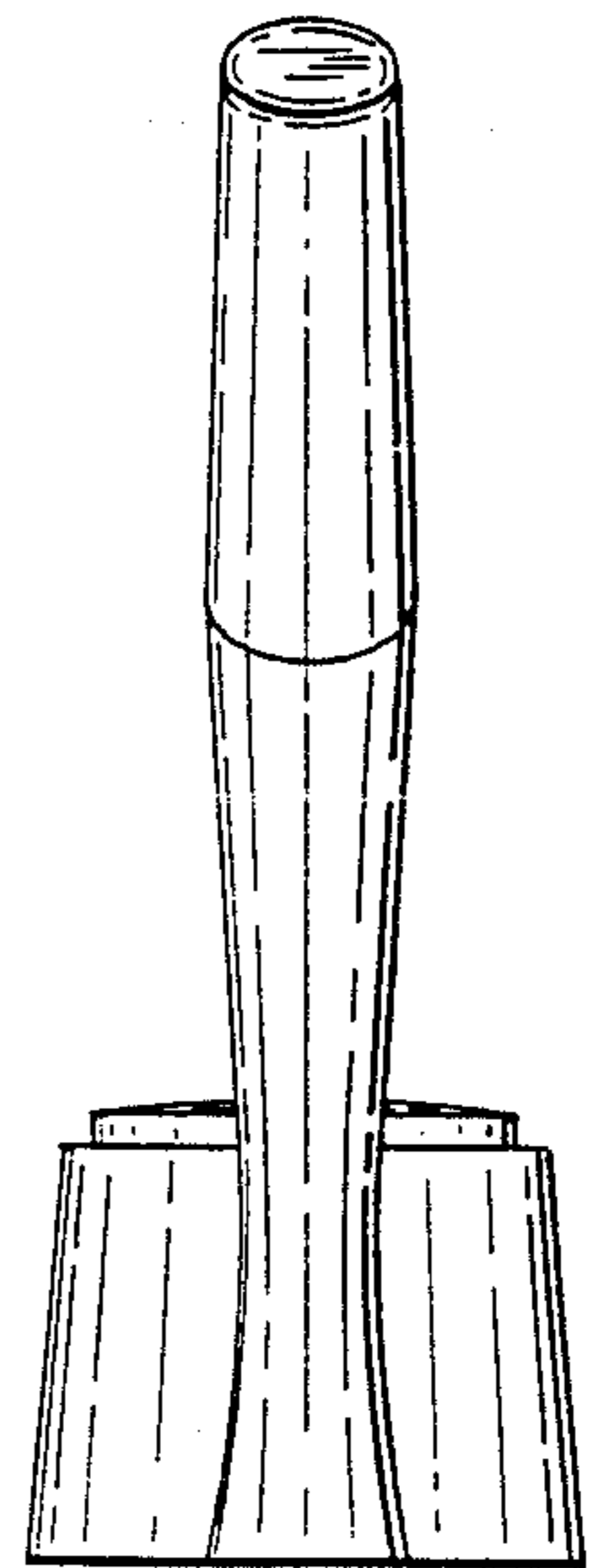


FIG. 5.