

[54] FLUID VALVE
 [75] Inventor: Steven E. Wirth, Bloomington, Minn.
 [73] Assignee: Precision Fitting and Valve Company, Inc., Eden Prairie, Minn.
 [**] Term: 14 Years
 [21] Appl. No.: 879,799
 [22] Filed: Jun. 27, 1986
 [52] U.S. Cl. D23/245
 [58] Field of Search D23/233-237, D23/244-249; 137/385; 70/175-180; 251/286, 288

3,976,095 8/1976 Koch et al. 137/385
 4,126,023 11/1978 Smith et al. 70/177
 4,162,690 7/1979 Anderson 137/385
 4,203,572 5/1980 Coffman 251/288 X
 4,498,320 2/1985 Mullis 70/177
 4,534,379 8/1985 Burge 137/385

Primary Examiner—James R. Largen

[57] CLAIM

The ornamental design for a fluid valve, substantially as shown and described.

DESCRIPTION

FIG. 1 is a top plan view of a fluid valve showing my new design;
 FIG. 2 is an elevational view taken from one side thereof;
 FIG. 3 is an elevational view taken from one end thereof;
 FIG. 4 is a bottom plan view thereof;
 FIG. 5 is an elevational view taken from the side opposite that shown in FIG. 2; and
 FIG. 6 is an elevational view taken from the end opposite that shown in FIG. 3.

[56] References Cited
 U.S. PATENT DOCUMENTS
 D. 127,961 7/1941 Carlson D23/245
 1,389,384 8/1921 Robinson 251/286 X
 3,386,461 6/1968 Fisher 251/315 X
 3,648,970 3/1972 Hartmann et al. 137/385 X
 3,865,130 2/1975 Mullis 137/385
 3,954,251 5/1976 Callahan, Jr. et al. 251/288
 3,960,168 6/1976 Plympton 137/385

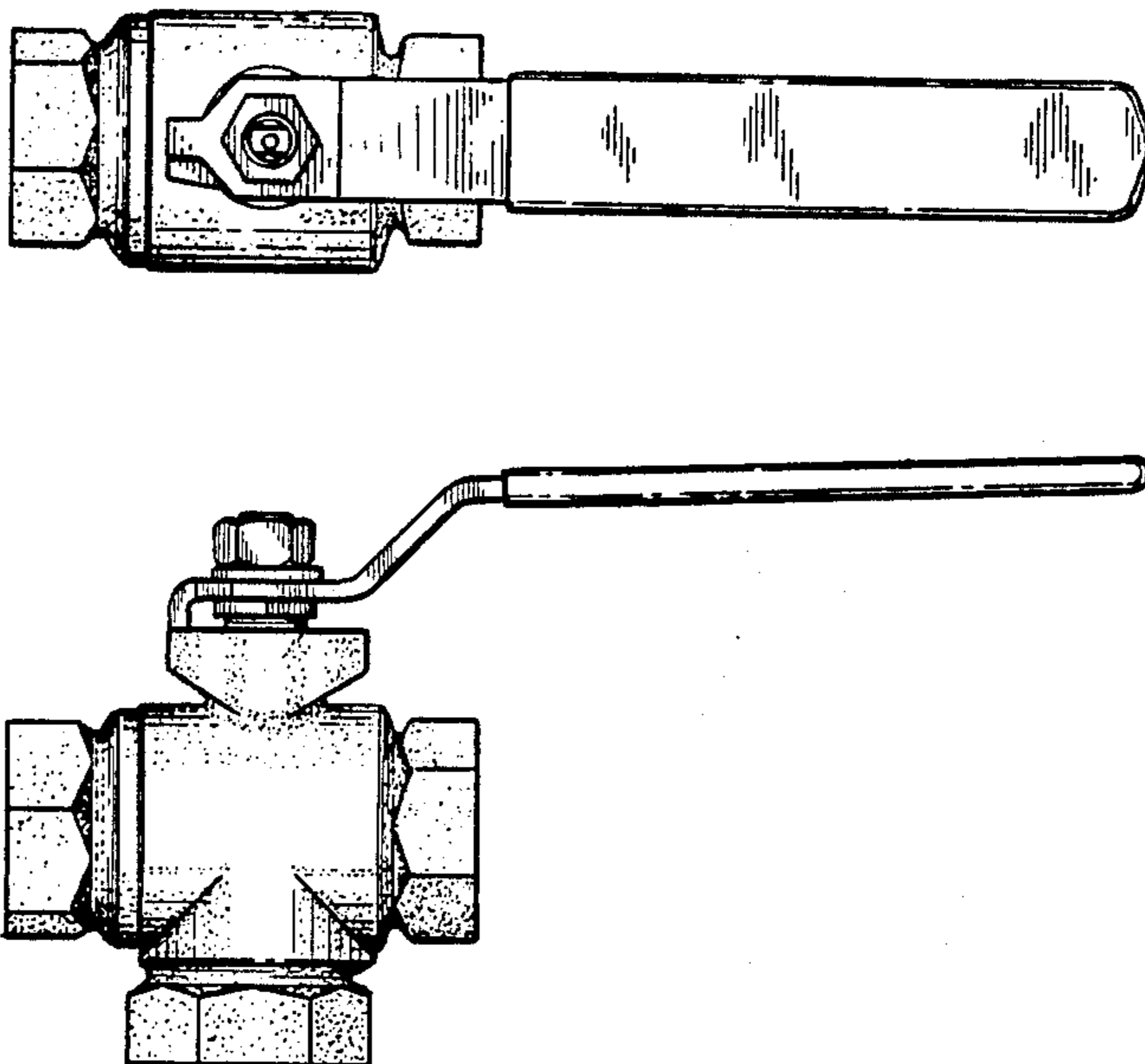


FIG. 1

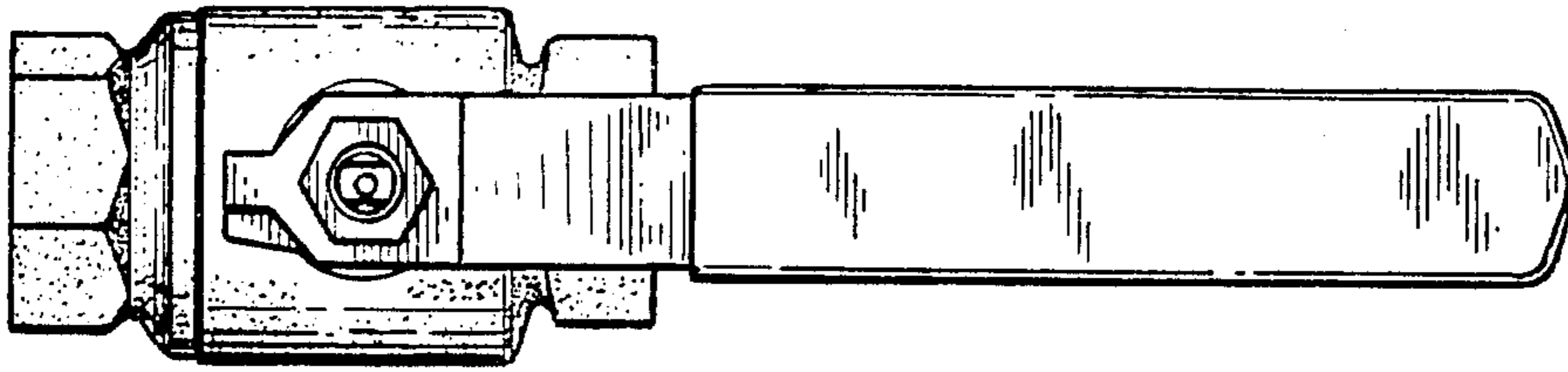


FIG. 2

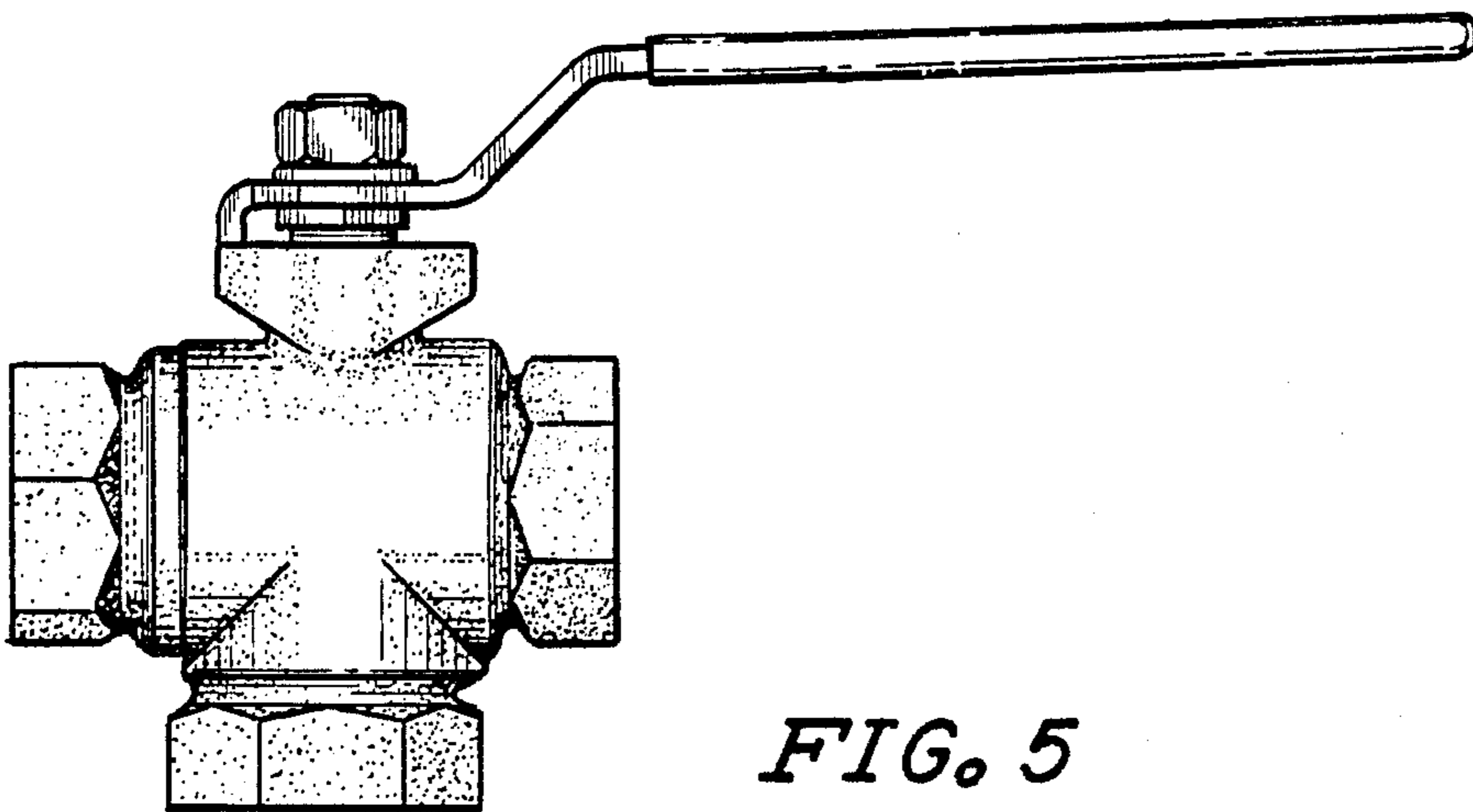


FIG. 3

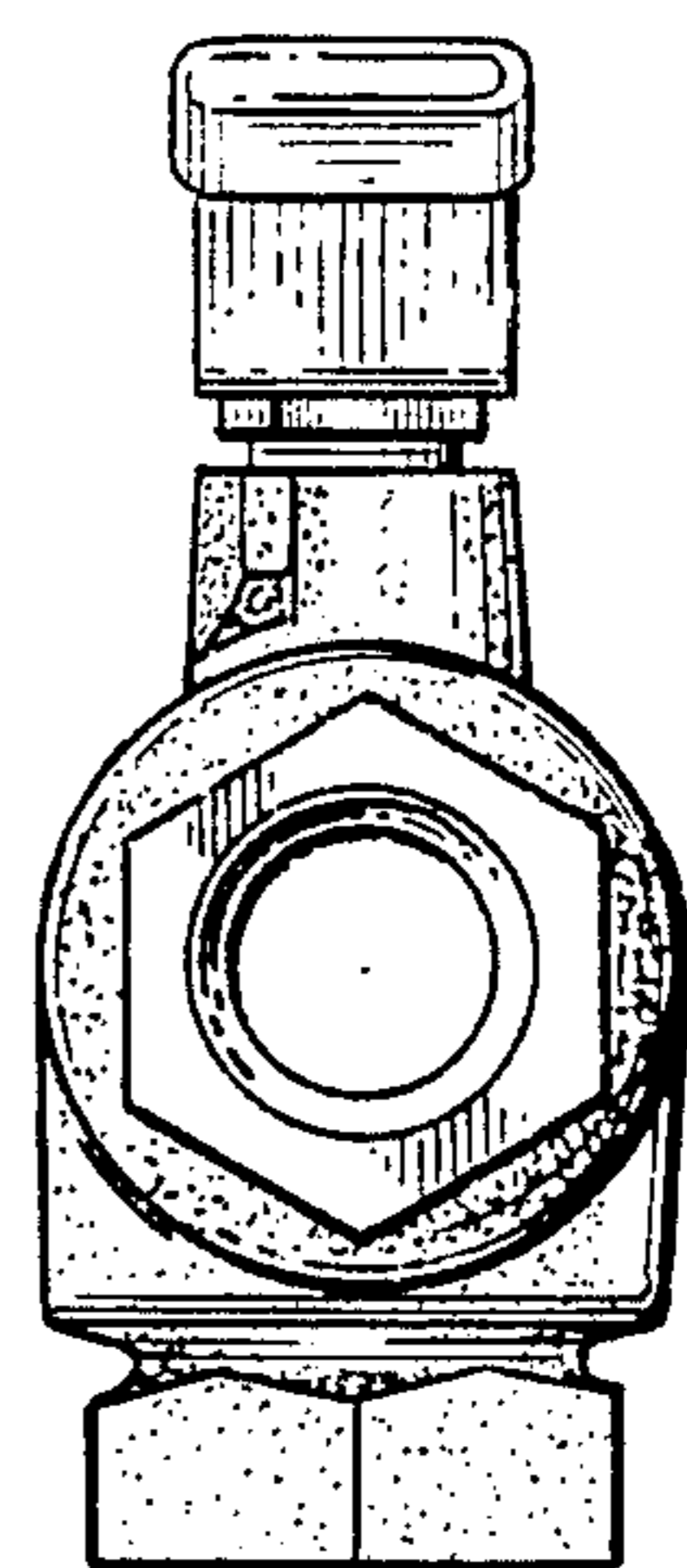


FIG. 5

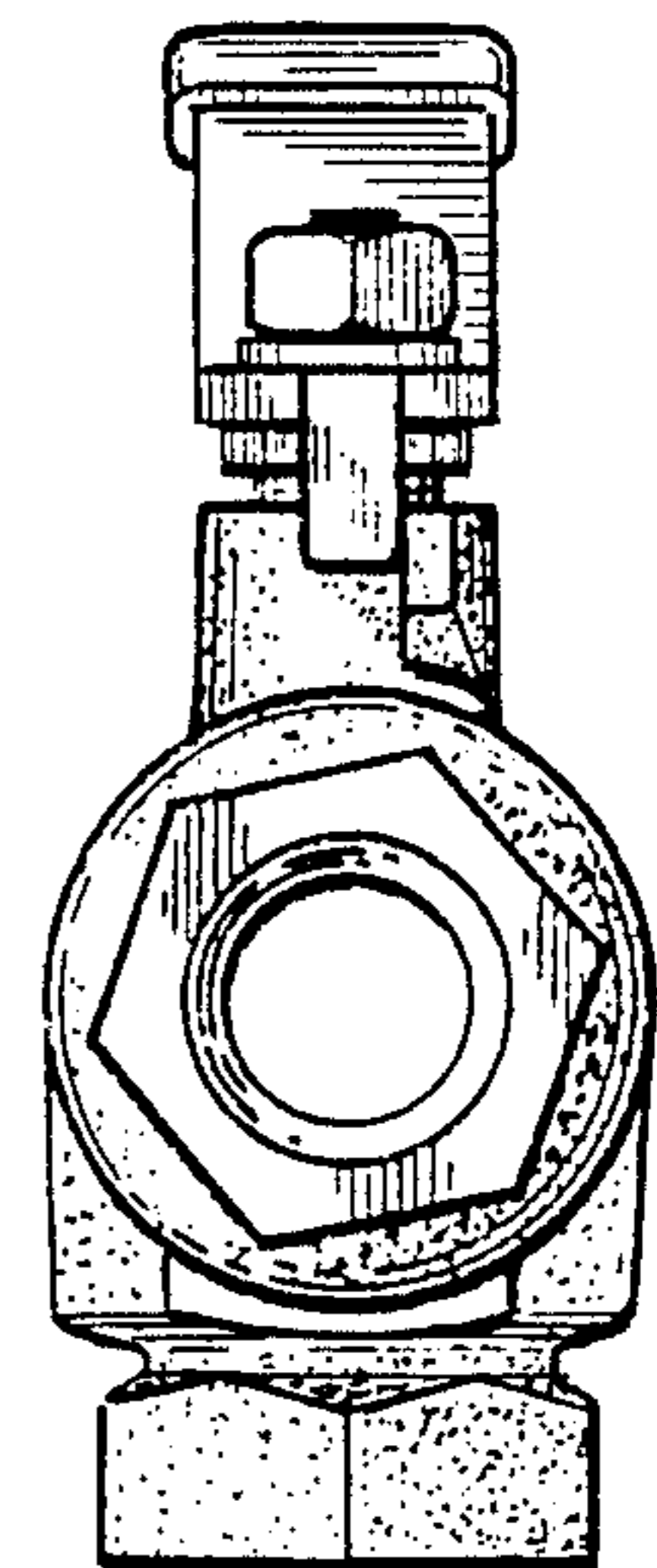
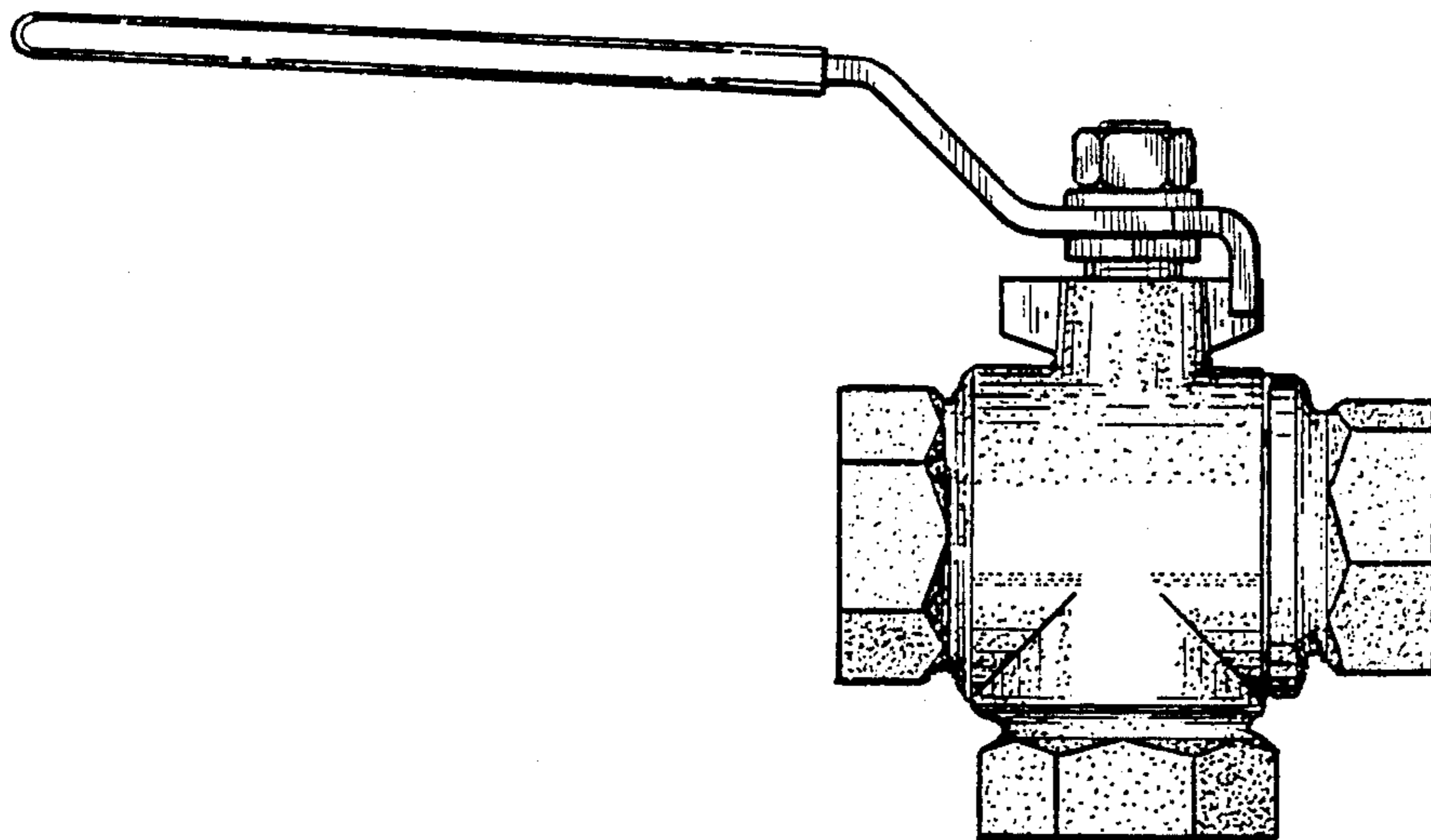


FIG. 4

FIG. 6

