

[54] PISTOL GRIP GARDEN SPRAY NOZZLE

[75] Inventor: Keith Kitts, Glenview, Ill.

[73] Assignee: Suncast Corporation, Batavia, Ill.

[\*\*] Term: 14 Years

[21] Appl. No.: 816,636

[22] Filed: Jan. 6, 1986

[52] U.S. Cl. .... D23/226

[58] Field of Search ..... D23/213, 223-230;  
239/451, 456, 459, 525-526

[56] References Cited

U.S. PATENT DOCUMENTS

- D. 179,509 11/1957 Beinert ..... D23/226
- D. 251,917 5/1979 Morgan ..... D23/226
- D. 259,733 6/1981 Tisserat et al. .... D23/226
- 2,937,813 5/1960 Rinkewich ..... 239/459

- 2,991,945 7/1961 Rosenkranz ..... D23/226 X
- 3,799,447 3/1974 Beal ..... 239/530 X

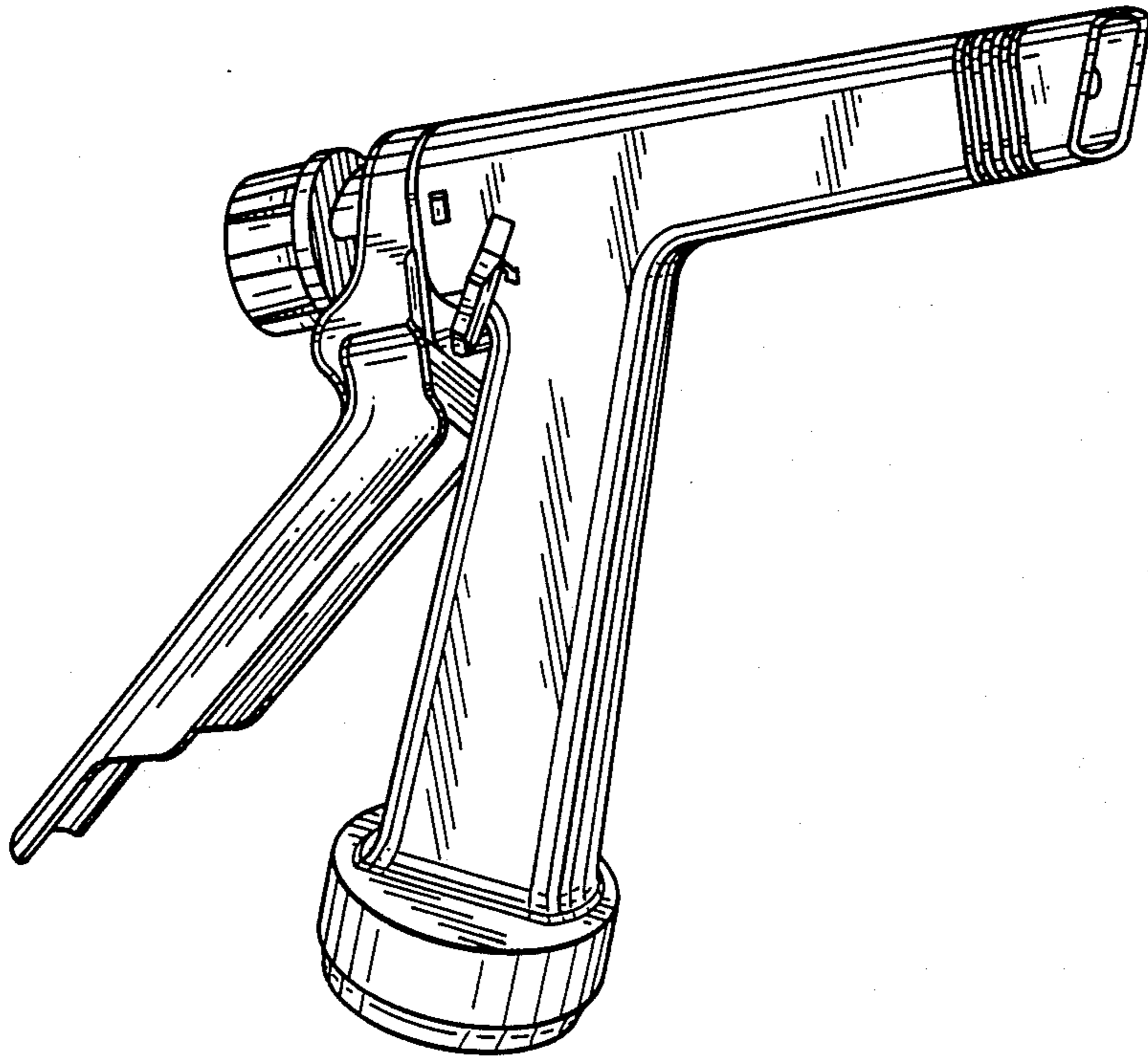
Primary Examiner—Wallace R. Burke  
 Assistant Examiner—Brian N. Vinson  
 Attorney, Agent, or Firm—Fitch, Even, Tabin &  
 Flannery

[57] CLAIM

The ornamental design for a pistol grip garden spray nozzle, as shown and described.

DESCRIPTION

FIG. 1 is a right side perspective view of a pistol grip garden spray nozzle showing my new design;  
 FIG. 2 is a front elevational view thereof;  
 FIG. 3 is a top plan view thereof;  
 FIG. 4 is a left side elevational view thereof;  
 FIG. 5 is a rear elevational view thereof; and  
 FIG. 6 is a bottom plan view thereof.



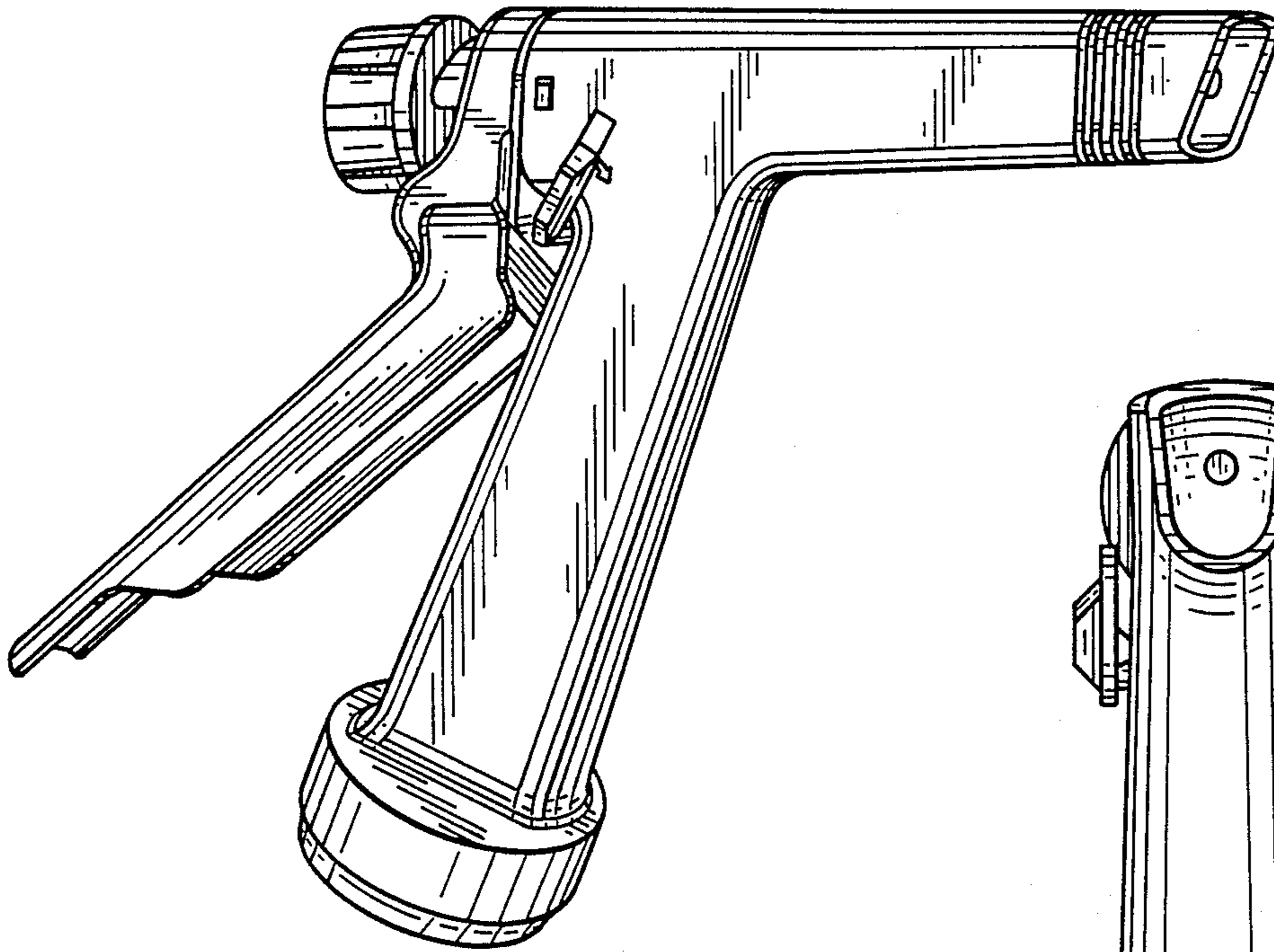


FIG. 1

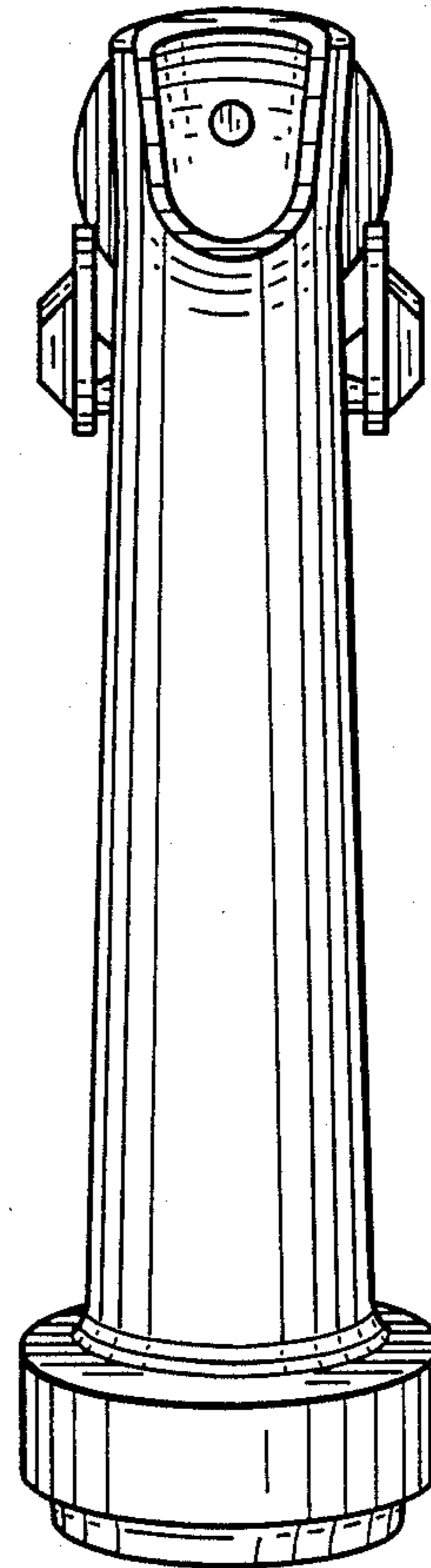


FIG. 2

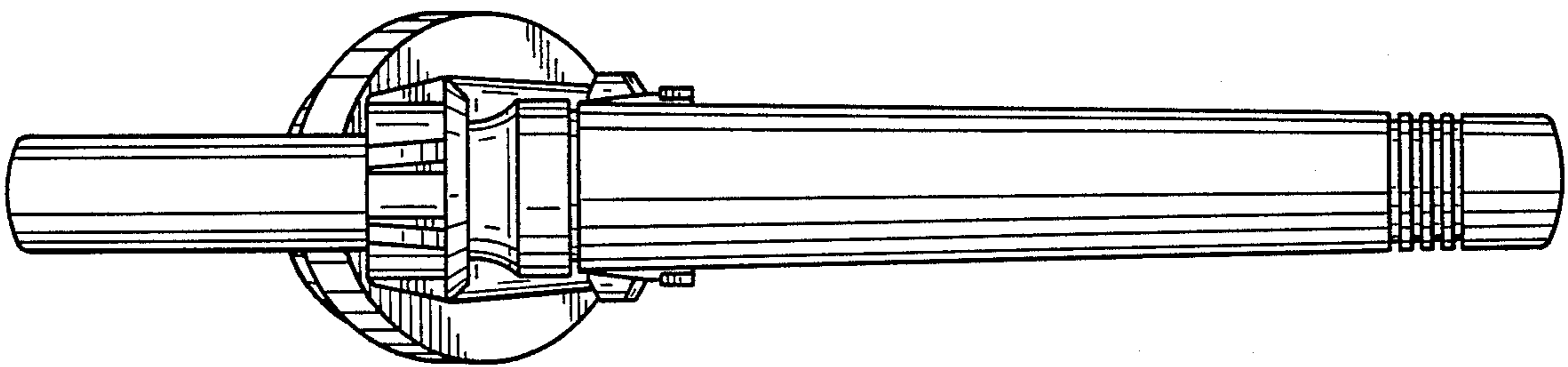


FIG. 3

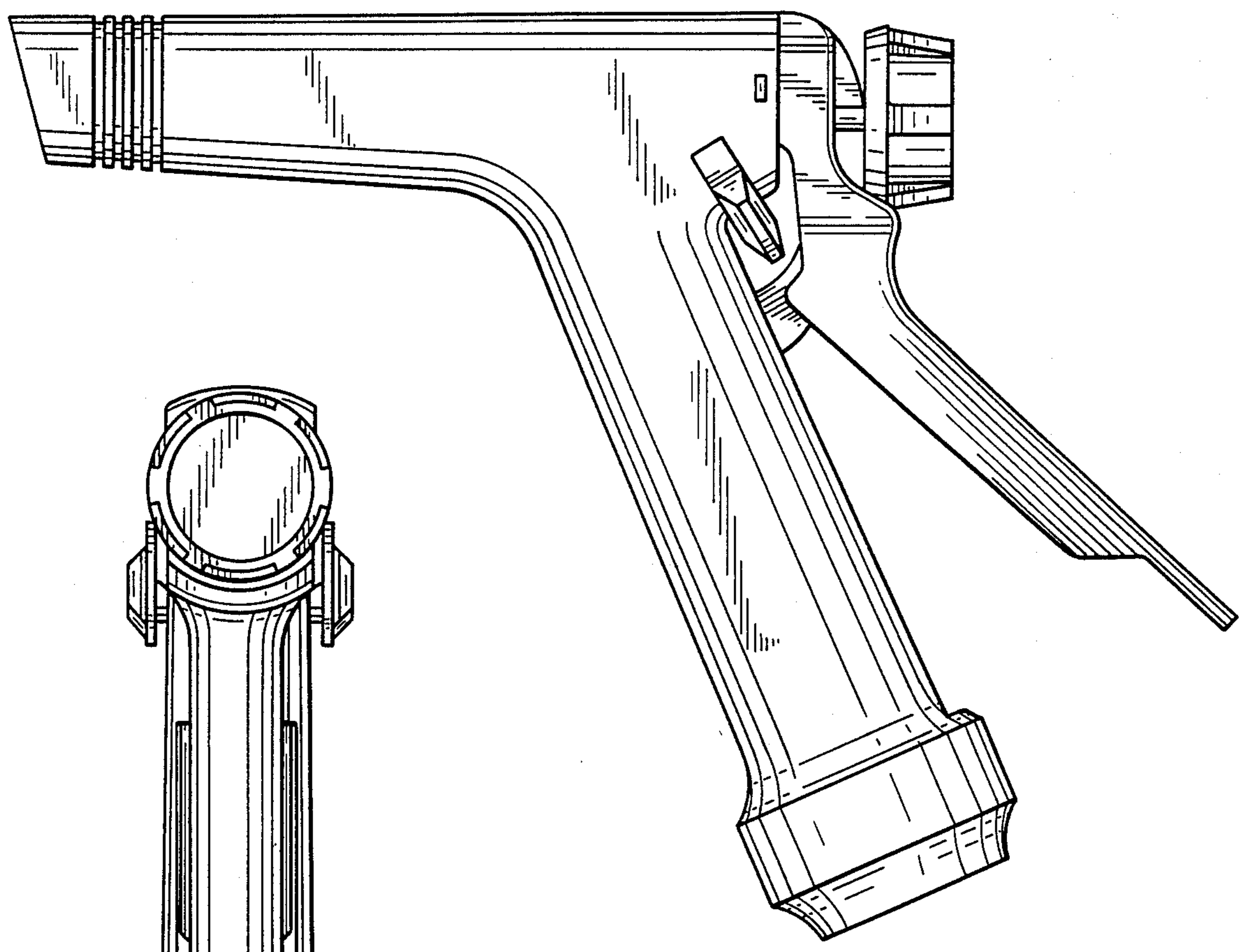


FIG. 4

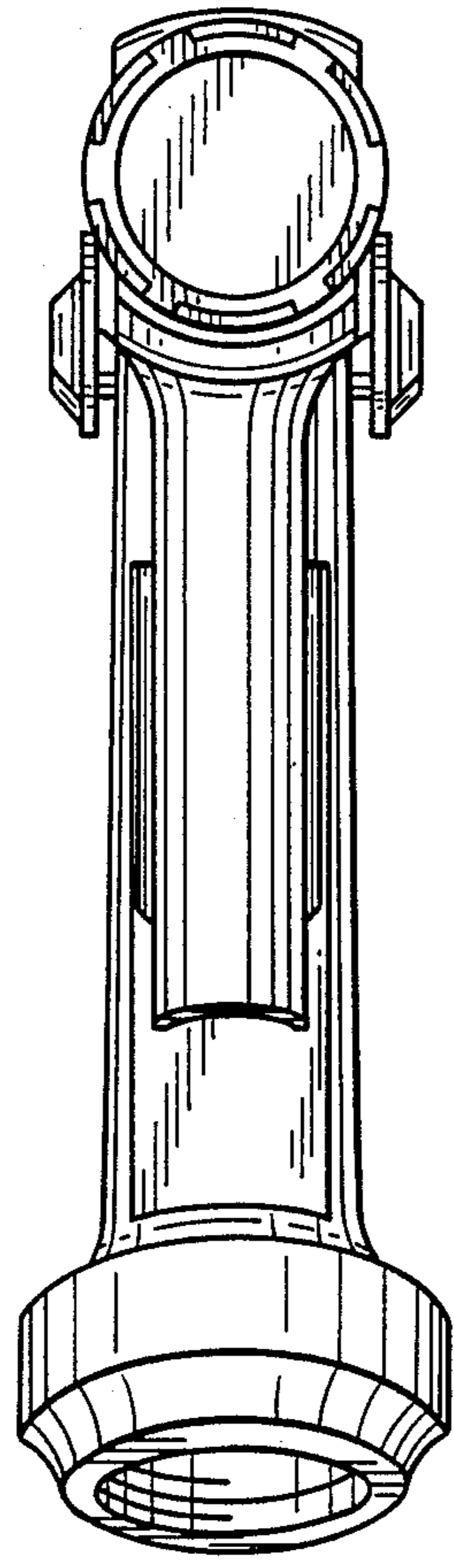


FIG. 5

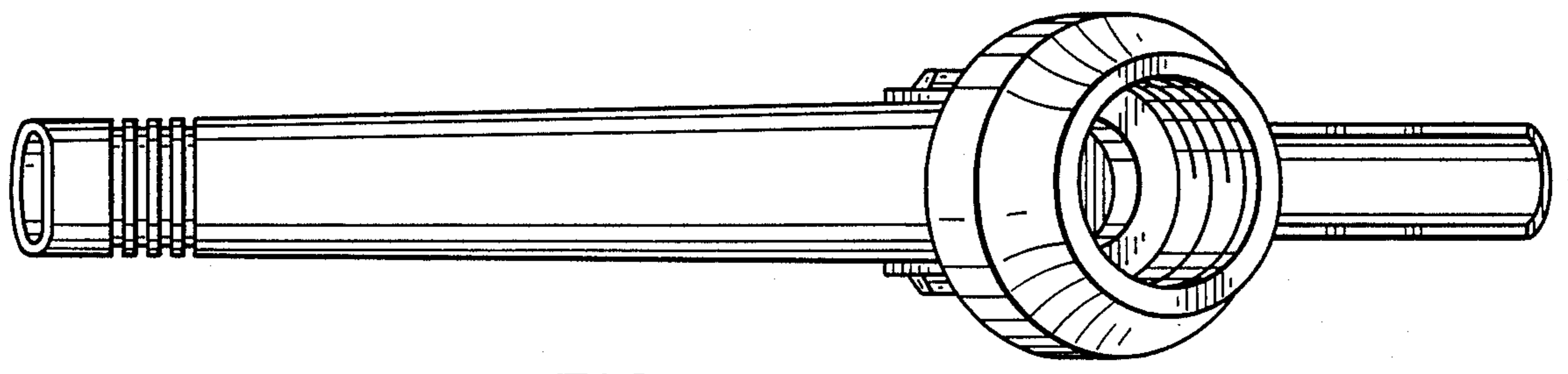


FIG. 6