

[54] FLUID SPRAY GUN

D. 284,988 8/1986 Powell D23/223
3,899,134 8/1975 Wagner 239/332

[75] Inventor: Ewald Kille, Friedrichshafen, Fed. Rep. of Germany

OTHER PUBLICATIONS

Hardware Age, (Sep. 1983) p. 5 "EZ Paintr".

[73] Assignee: J. Wagner GmbH, Fed. Rep. of Germany

Primary Examiner—Wallace R. Burke
Assistant Examiner—Brian N. Vinson

[**] Term: 14 Years

[57] CLAIM

[21] Appl. No.: 840,724

The ornamental design for a fluid spray gun or the like, as shown and described.

[22] Filed: Feb. 28, 1986

[52] U.S. Cl. D23/225; D23/226

[58] Field of Search D23/213, 223-230;
239/152-154, 288.3, 288.5, 302, 308-310, 318,
332, 337, 525-528, DIG. 14

DESCRIPTION

FIG. 1 is a right side elevational view of a fluid spray gun showing my design;

FIG. 2 is a front elevational view thereof;

FIG. 3 is a top plan view thereof;

FIG. 4 is a rear elevational view thereof;

FIG. 5 is a left side elevational view thereof; and

FIG. 6 is a bottom plan view thereof.

[56] References Cited

U.S. PATENT DOCUMENTS

D. 251,602 4/1979 Widmer D23/225
D. 268,778 4/1983 Moon D23/225

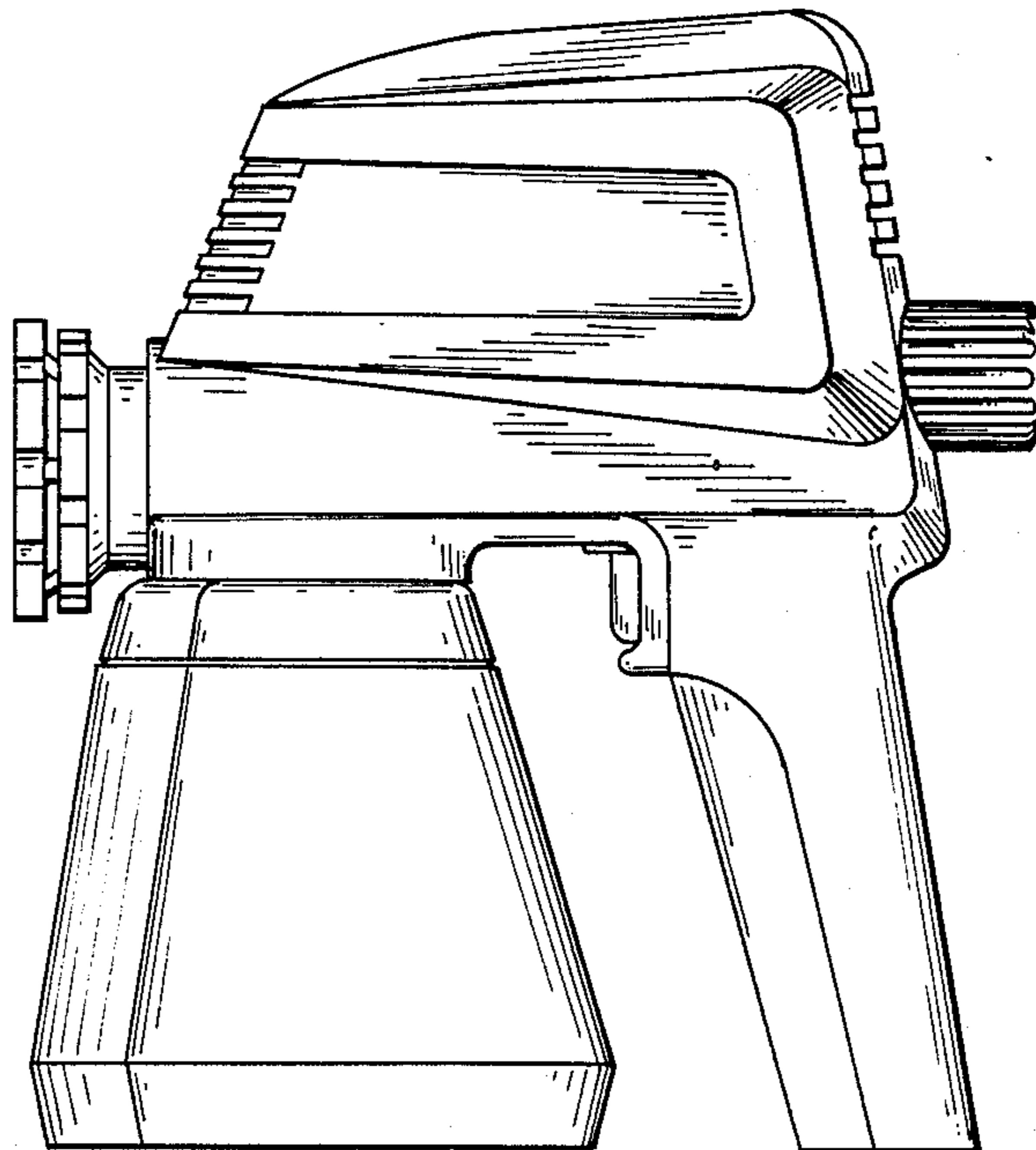


FIG. 1

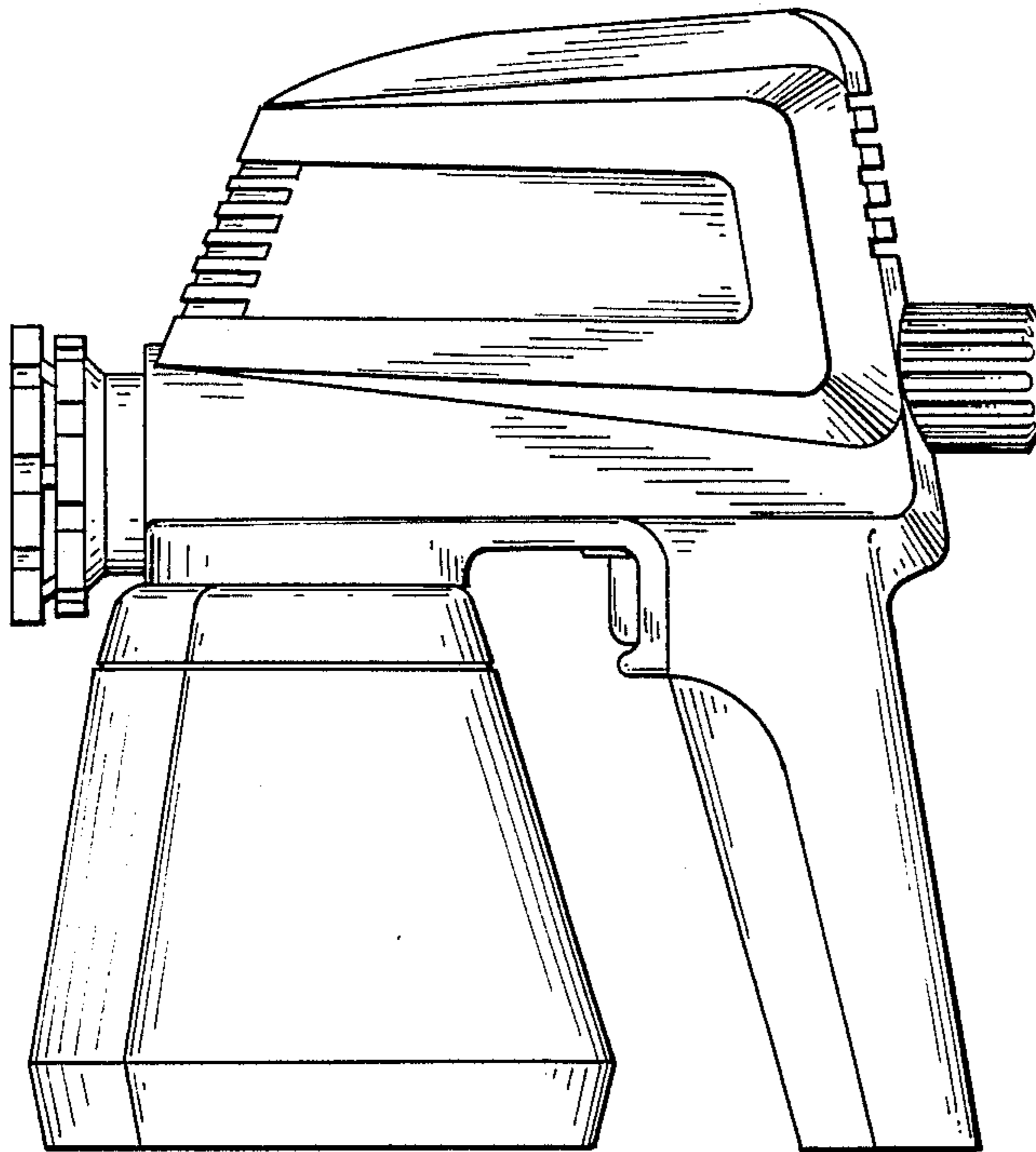


FIG. 2

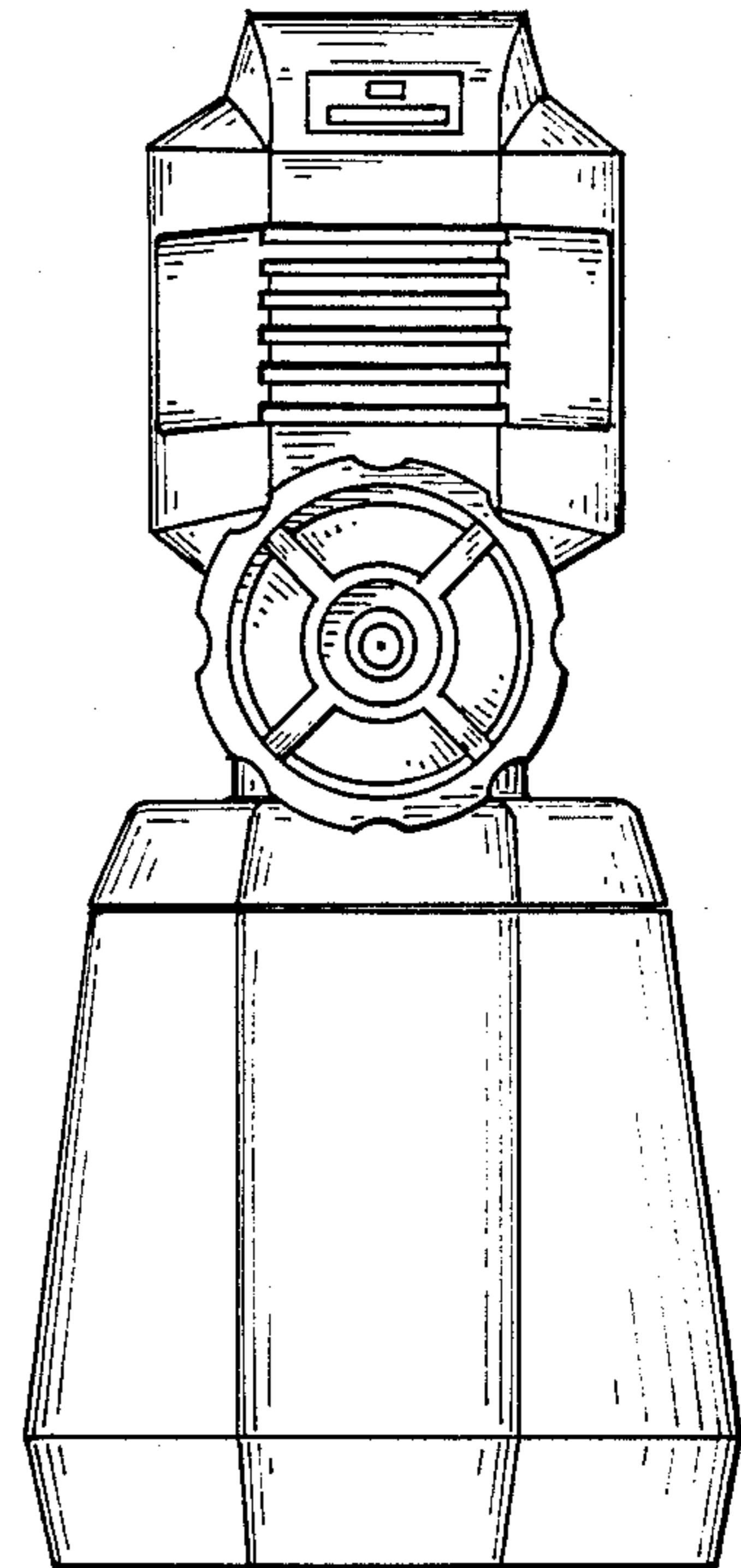


FIG. 3

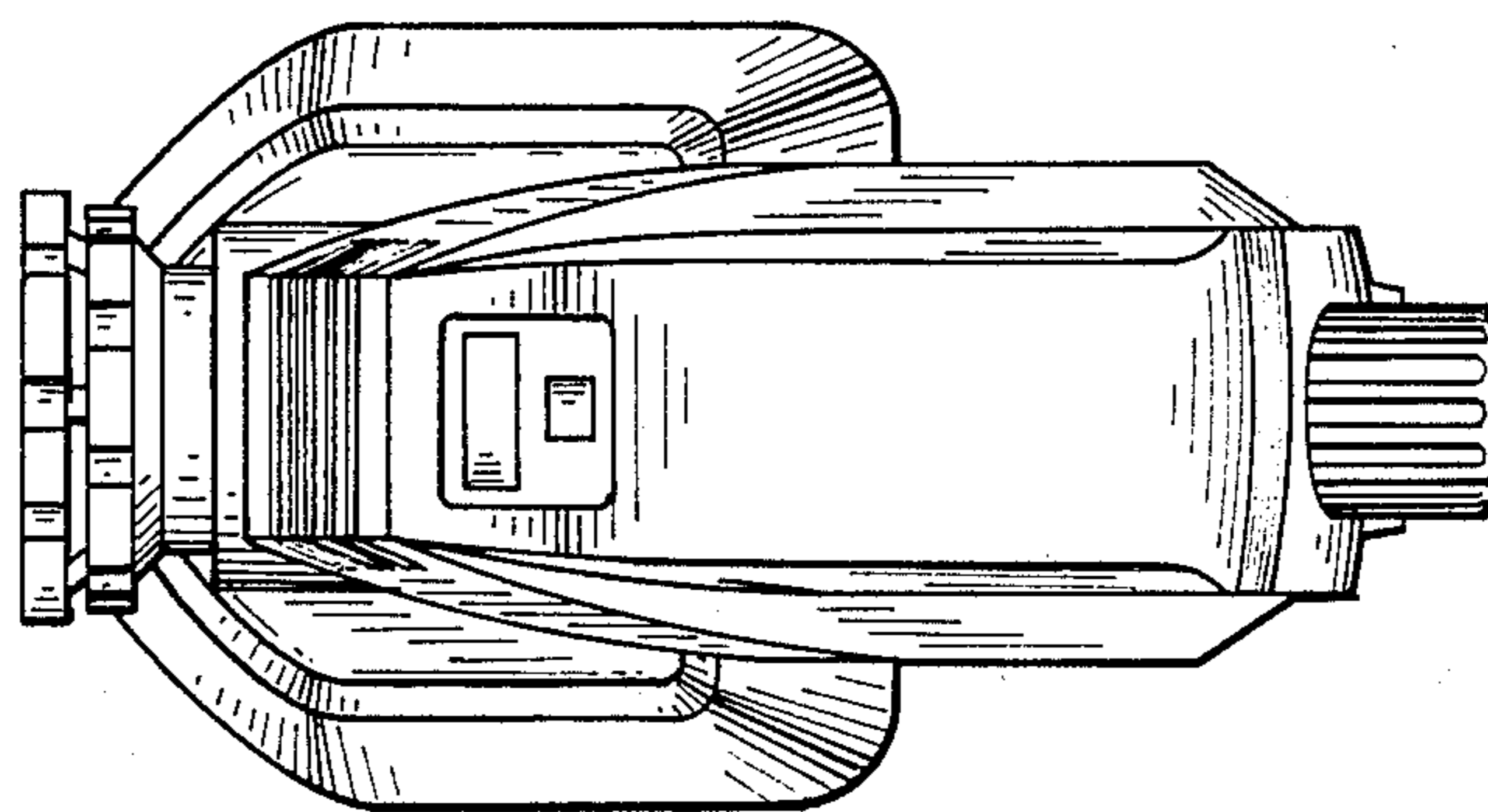


FIG. 4

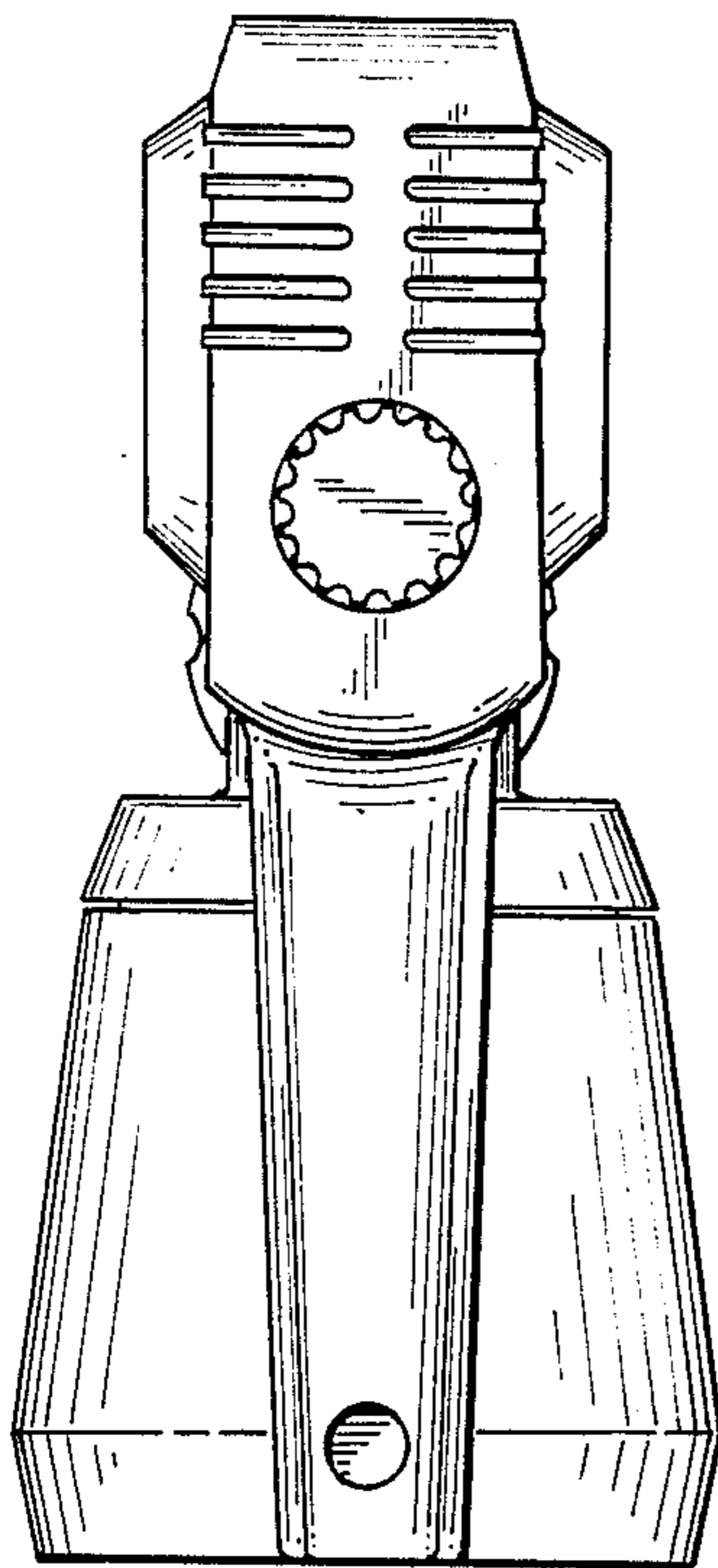


FIG. 5

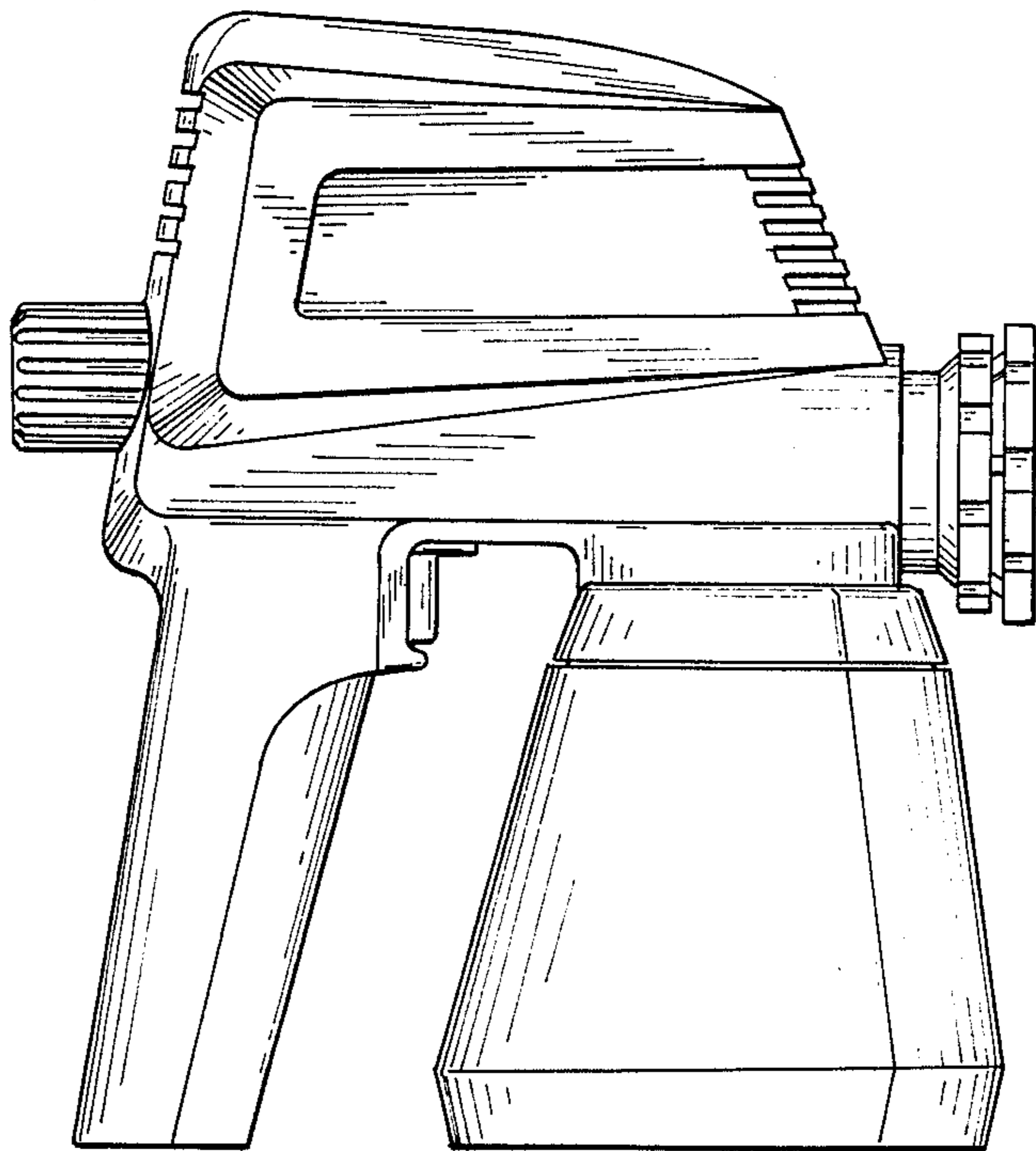


FIG. 6

