

[54] PERCUSSION PISTOL

[76] Inventor: Kenneth D. Hartfelder, Rte. 4, Box 540B-12, Muskogee, Okla. 74401

[**] Term: 14 Years

[21] Appl. No.: 806,183

[22] Filed: Nov. 22, 1985

[52] U.S. Cl. D22/104

[58] Field of Search D22/104

[56] References Cited

U.S. PATENT DOCUMENTS

- D. 179,657 2/1957 Pittman D22/104
- D. 251,914 5/1979 Romano D22/104

OTHER PUBLICATIONS

American Rifleman, May 1983, Ethan Allen target pistol.

The Collection of Guns, p. 128, Allen J. Thurber, Worcester muff pistol, far right.

Primary Examiner—A. Hugo Word

Attorney, Agent, or Firm—Robert B. Stevenson

[57] CLAIM

The ornamental design for a percussion pistol, as shown and described.

DESCRIPTION

FIG. 1 is a front elevational view of a percussion pistol, showing my new design;

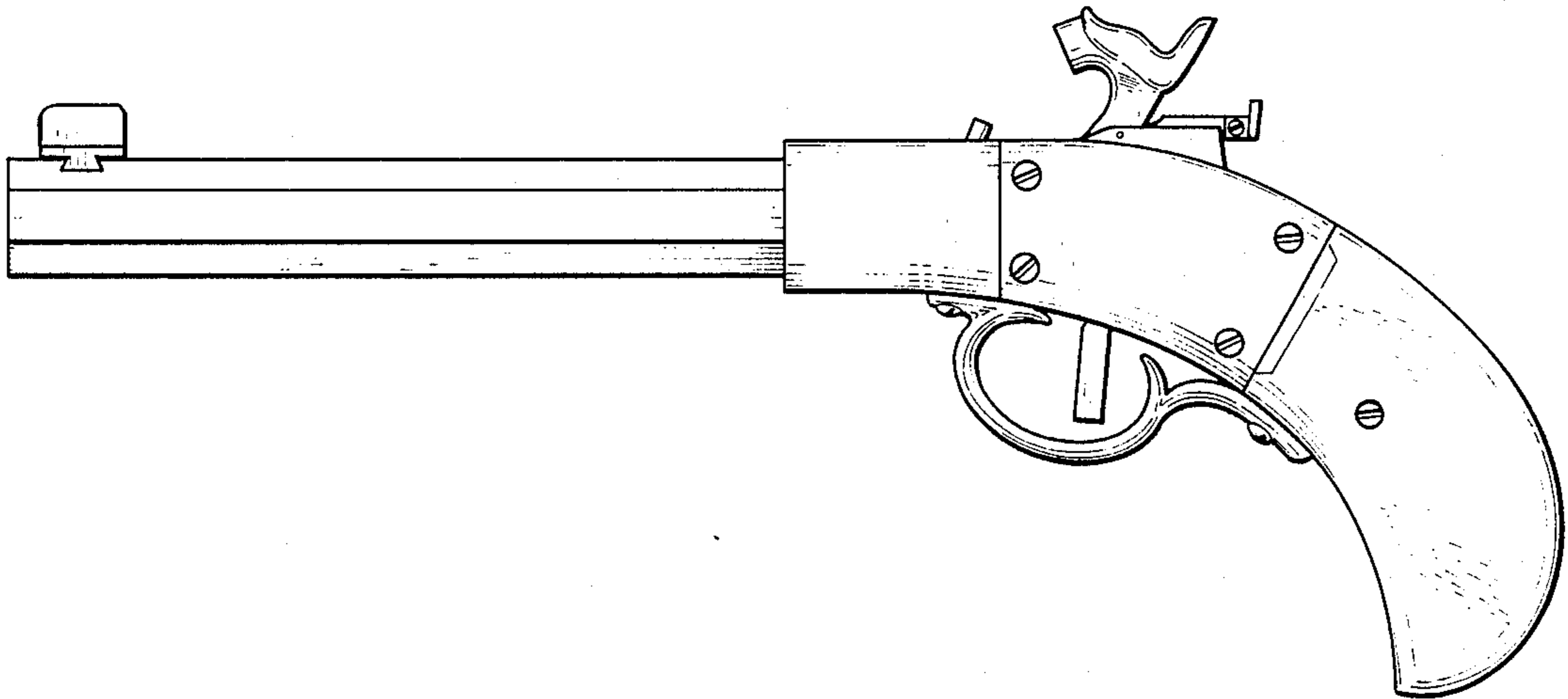
FIG. 2 is a right side elevational view;

FIG. 3 is a left side elevational view;

FIG. 4 is a rear elevational view;

FIG. 5 is a top view;

FIG. 6 is a bottom view.



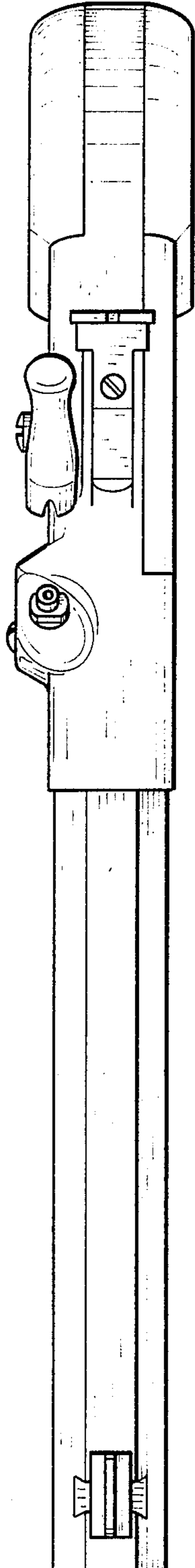


Fig. 5

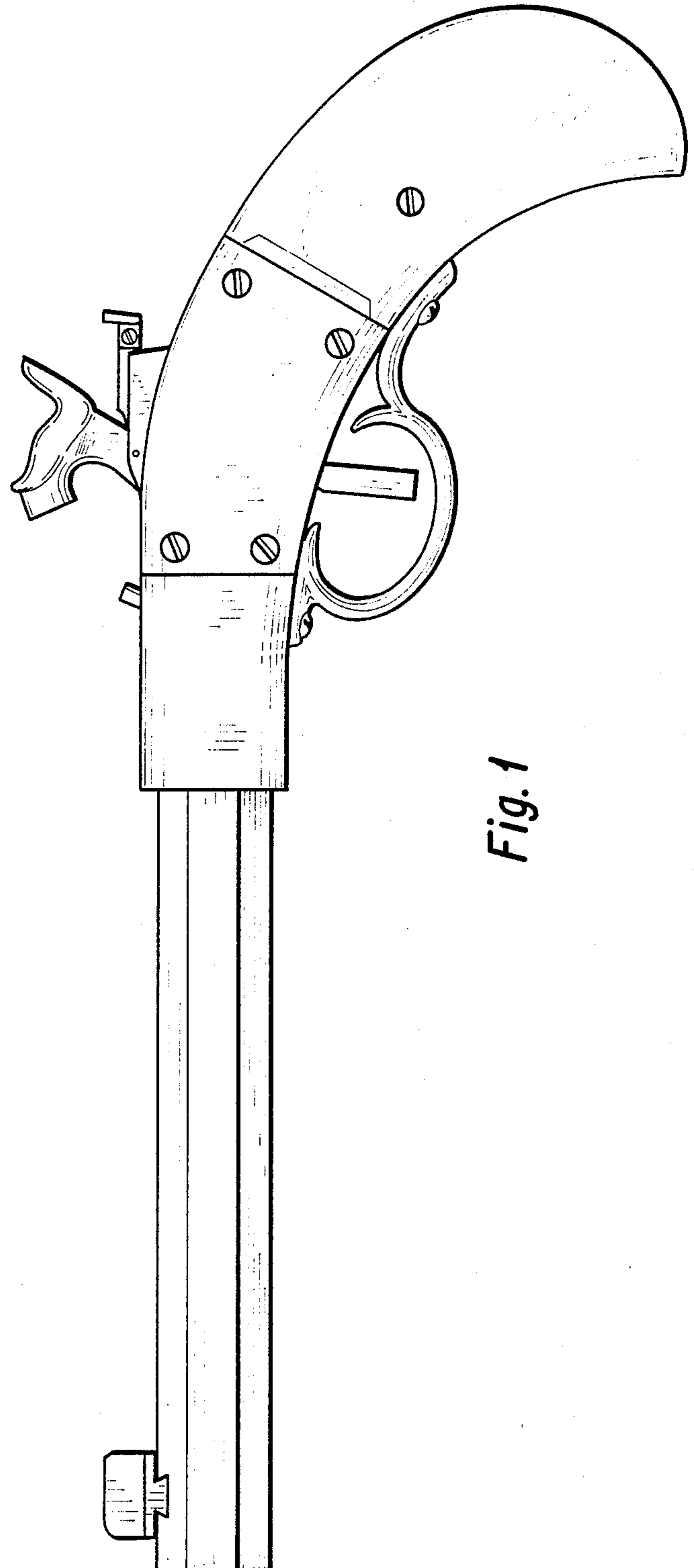


Fig. 1

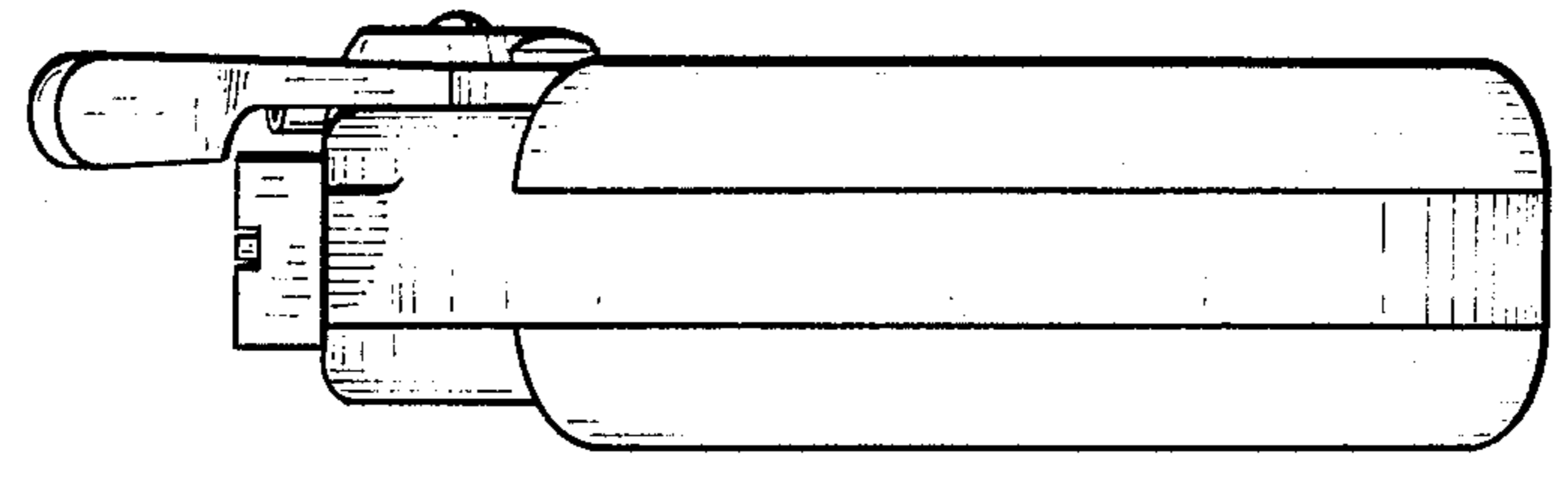


Fig. 2

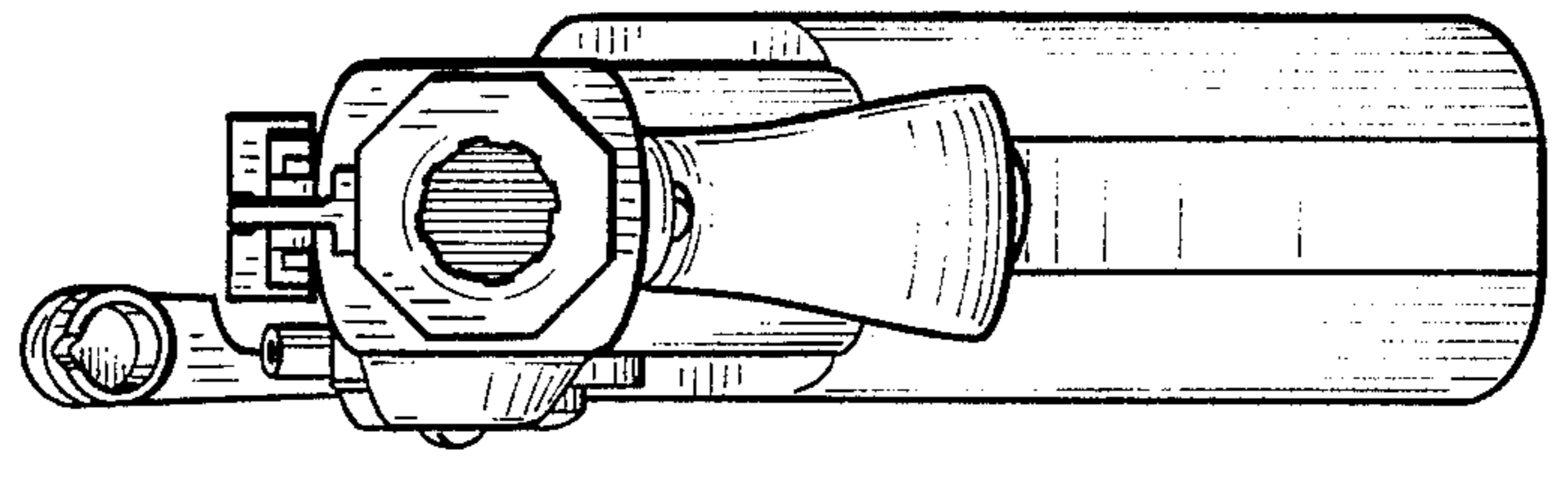


Fig. 3

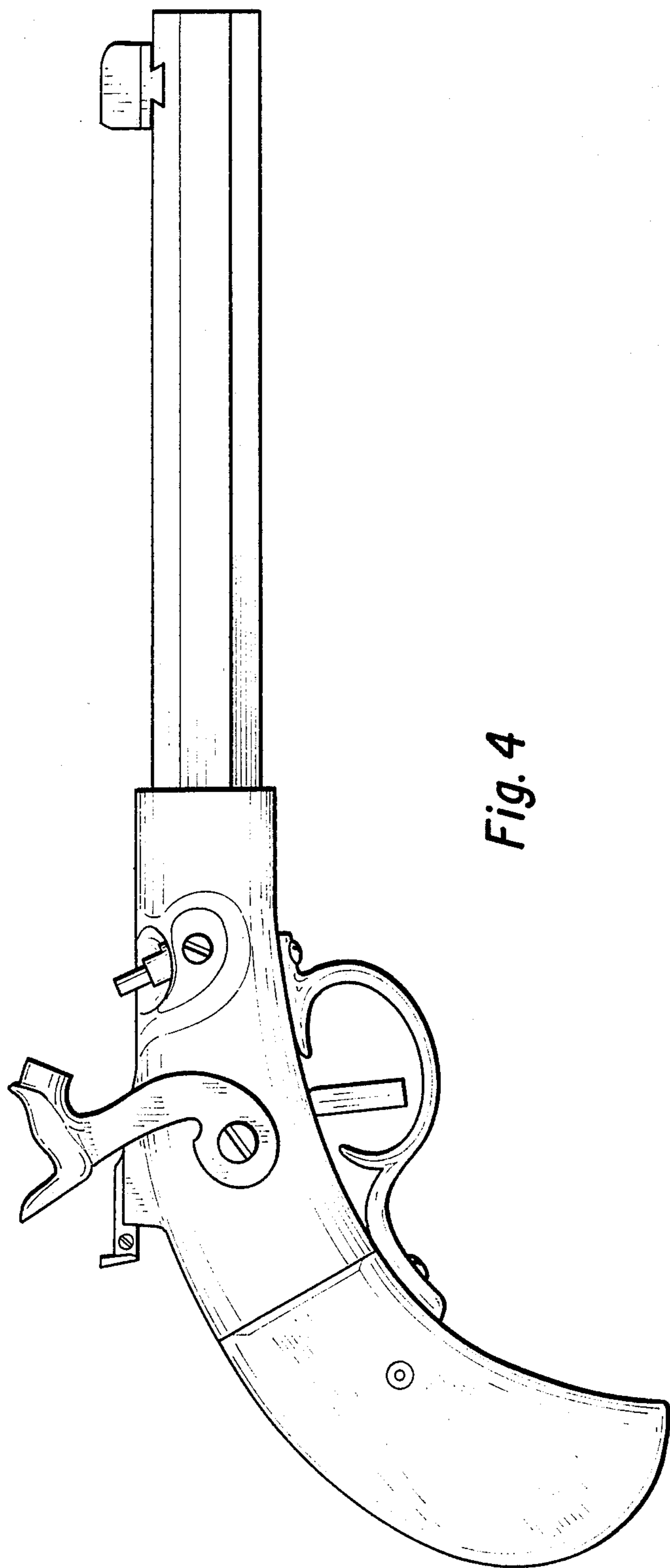


Fig. 4

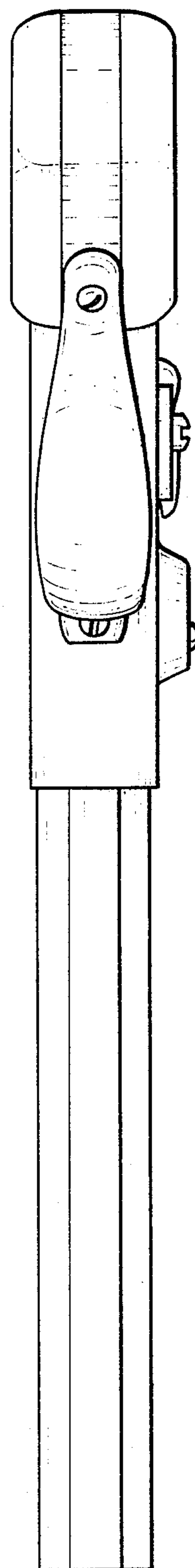


Fig. 6