

United States Patent [19]

Larrea

[11] Patent Number: **Des. 297,340**

[45] Date of Patent: **** Aug. 23, 1988**

[54] **TOY ROTOR**

[76] Inventor: **Fernando Larrea, Södra Allégatan
12, 413 01 Göteborg, Sweden**

[**] Term: **14 Years**

[21] Appl. No.: **908,511**

[22] Filed: **Sep. 17, 1986**

[30] **Foreign Application Priority Data**

Mar. 18, 1986 [SE] Sweden 86-0691

[52] U.S. Cl. **D21/92**

[58] Field of Search 446/57, 59; D21/82,
D21/87, 88, 90, 91, 92; D12/344, 345, 326, 327

[56] **References Cited**

U.S. PATENT DOCUMENTS

D. 199,403	10/1964	Boswell	D21/82
D. 220,820	5/1971	Seefluth	D21/82
D. 239,710	4/1976	Garrison	D12/327
3,007,654	11/1961	Doman	D12/345
4,648,568	3/1987	Phillips	D12/327
4,657,209	4/1987	Edgley	D12/327

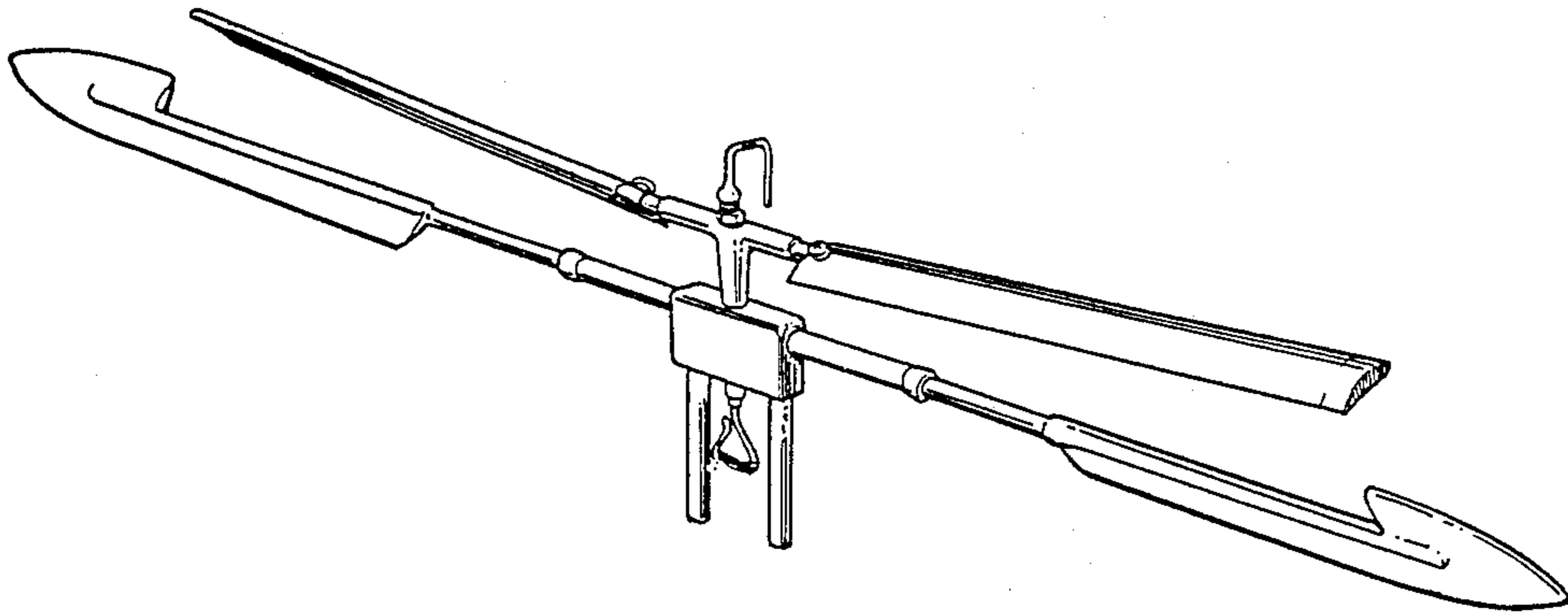
Primary Examiner—Charles A. Rademaker
Attorney, Agent, or Firm—Balogh, Osann, Kramer,
Dvorak, Genova & Traub

[57] **CLAIM**

The ornamental design for a toy rotor, as shown and described.

DESCRIPTION

FIG. 1 is a front perspective view of a toy rotor showing my new design, the side opposite being substantially a mirror image; and
FIG. 2 is another front perspective view thereof.



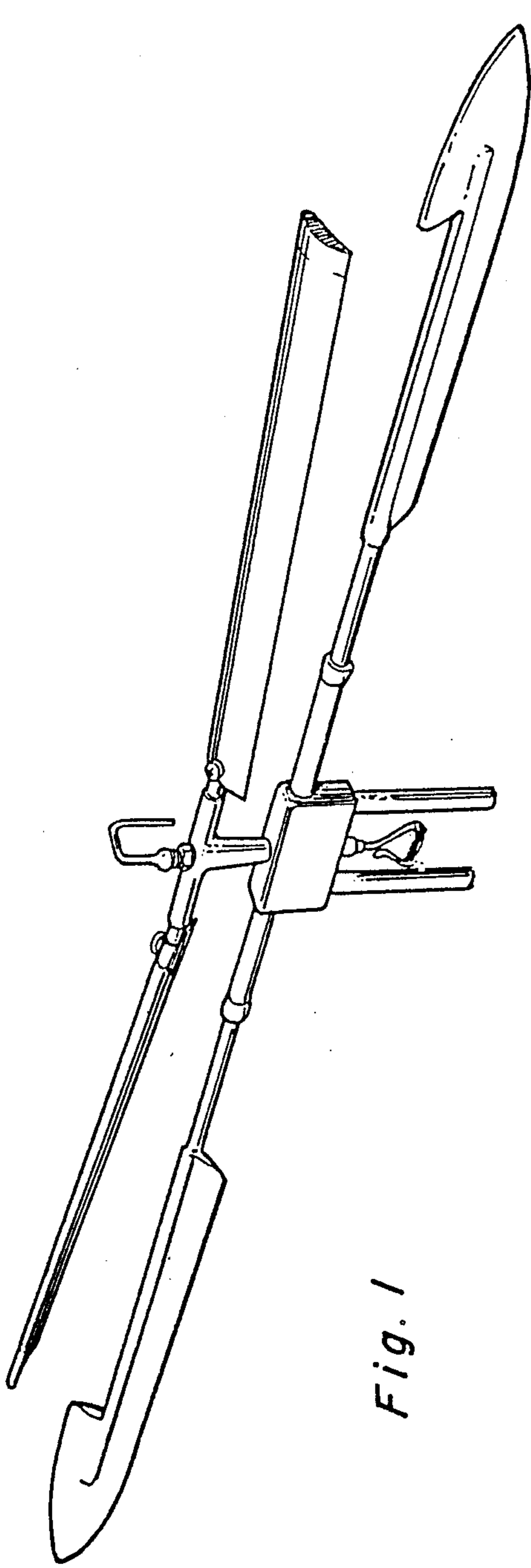


Fig. 1

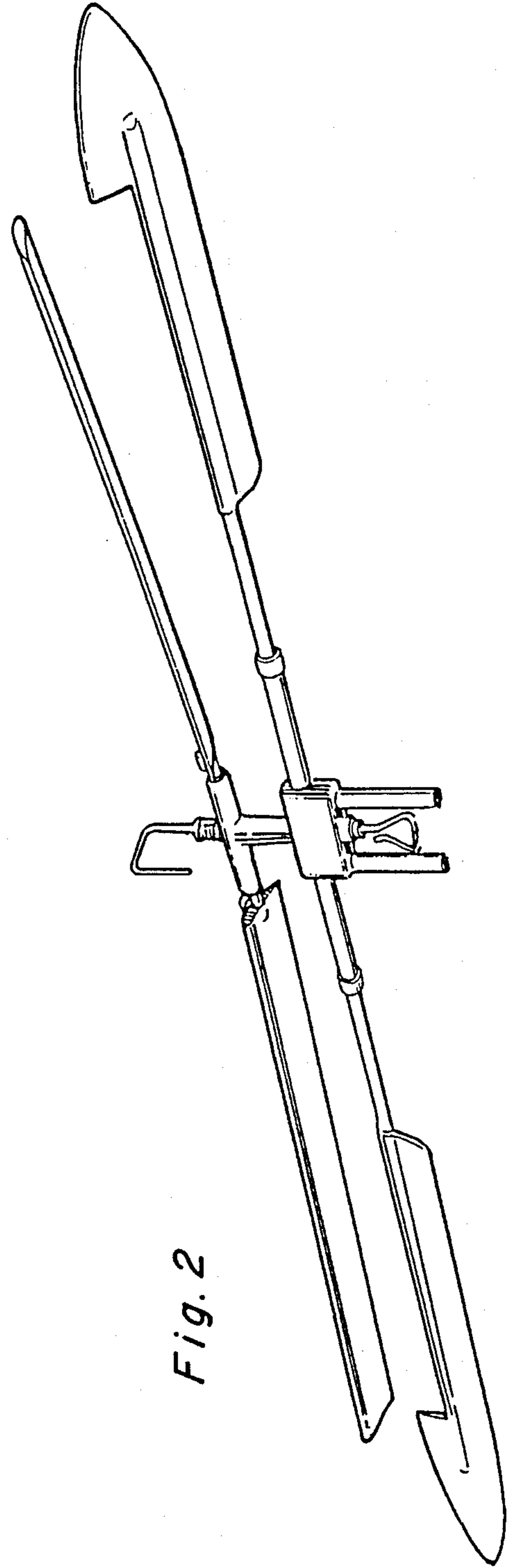


Fig. 2