

[54] PAPER TRAY FOR COMPUTER OR SIMILAR ARTICLE

[76] Inventor: J. Dwayne Atwell, P.O. Box 23749, Tempe, Ariz. 85282

[**] Term: 14 Years

[21] Appl. No.: 740,504

[22] Filed: Jun. 3, 1985

[52] U.S. Cl. D19/86

[58] Field of Search D19/99, 100, 86-88; D16/32; D18/22; D14/114; D6/462; 493/410; 211/50, 181

[56] References Cited

U.S. PATENT DOCUMENTS

D. 167,463 8/1952 Johnson D14/114

D. 199,828 12/1964 Regan D19/88
D. 269,528 6/1983 Sokolowski D16/32
D. 283,333 4/1986 Cavanagh D18/22

Primary Examiner—Charles A. Rademaker
Attorney, Agent, or Firm—Don J. Flickinger

[57] CLAIM

The ornamental design for a paper tray for computer or similar article, as shown and described.

DESCRIPTION

FIG. 1 is a frontal perspective view of a paper tray for computer or similar article, showing my new design; FIG. 2 is a left side elevational view, thereof, the side opposite being a mirror image; FIG. 3 is a top plan view on a reduced scale; FIG. 4 is a bottom plan view; FIG. 5 is a front elevational view; and FIG. 6 is a rear elevational view.

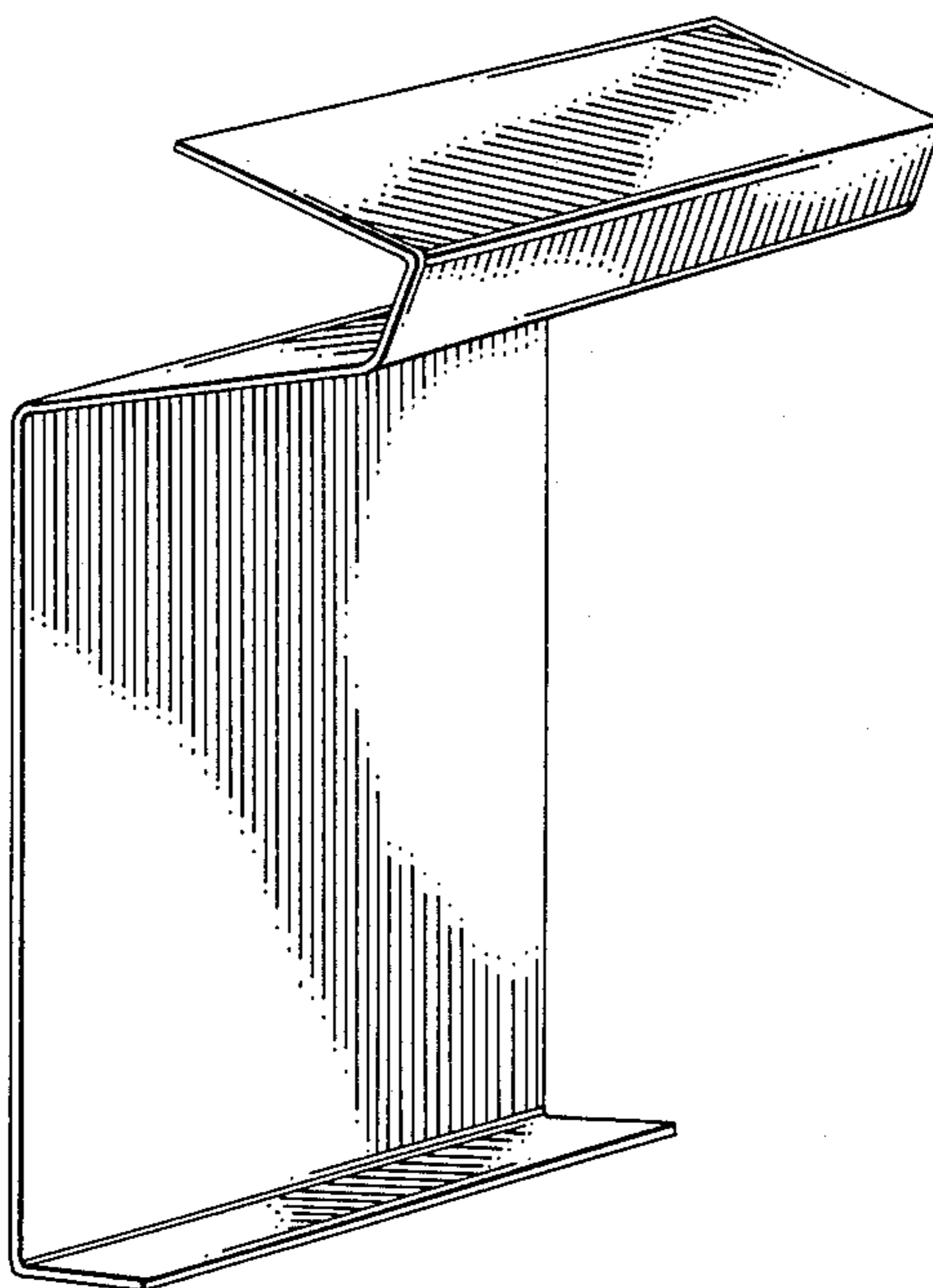


FIG. 1

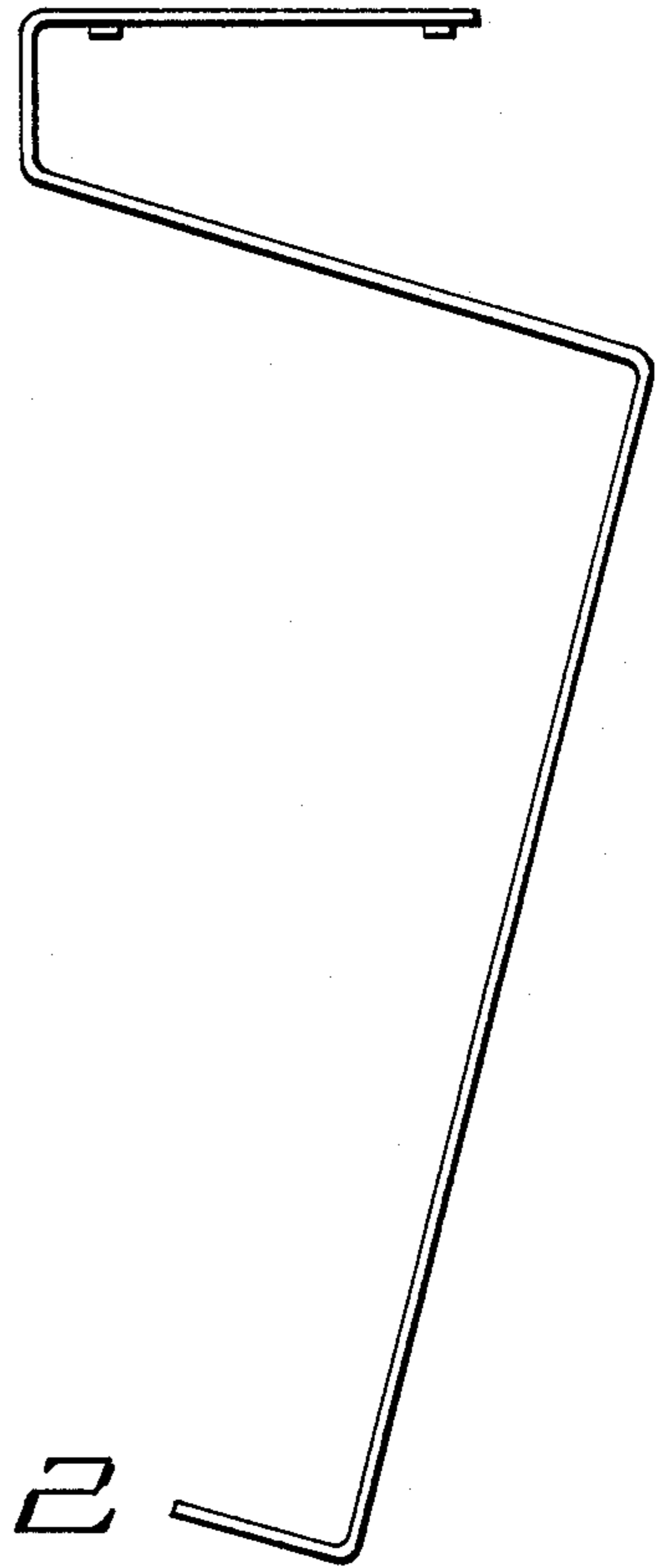
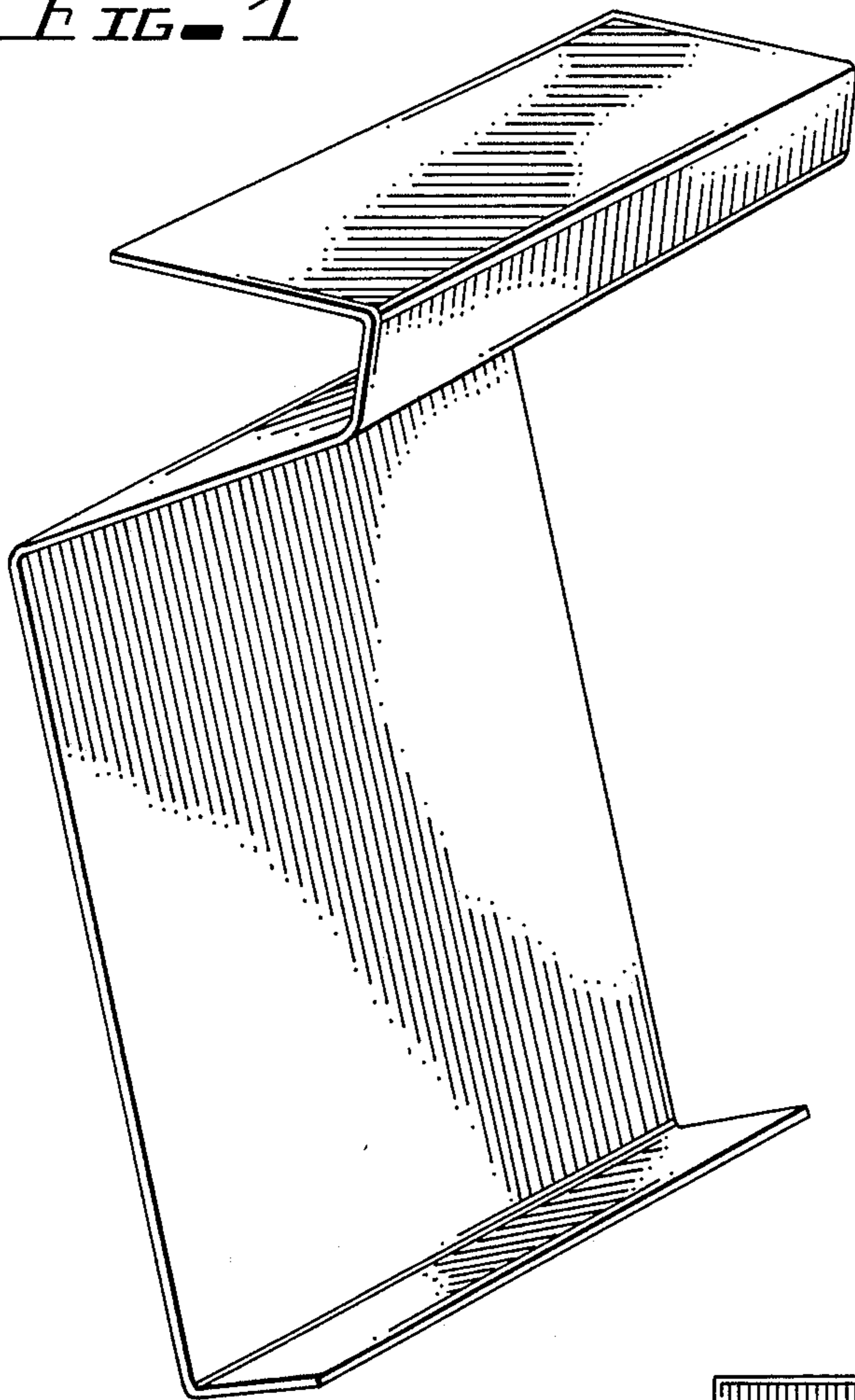


FIG. 2

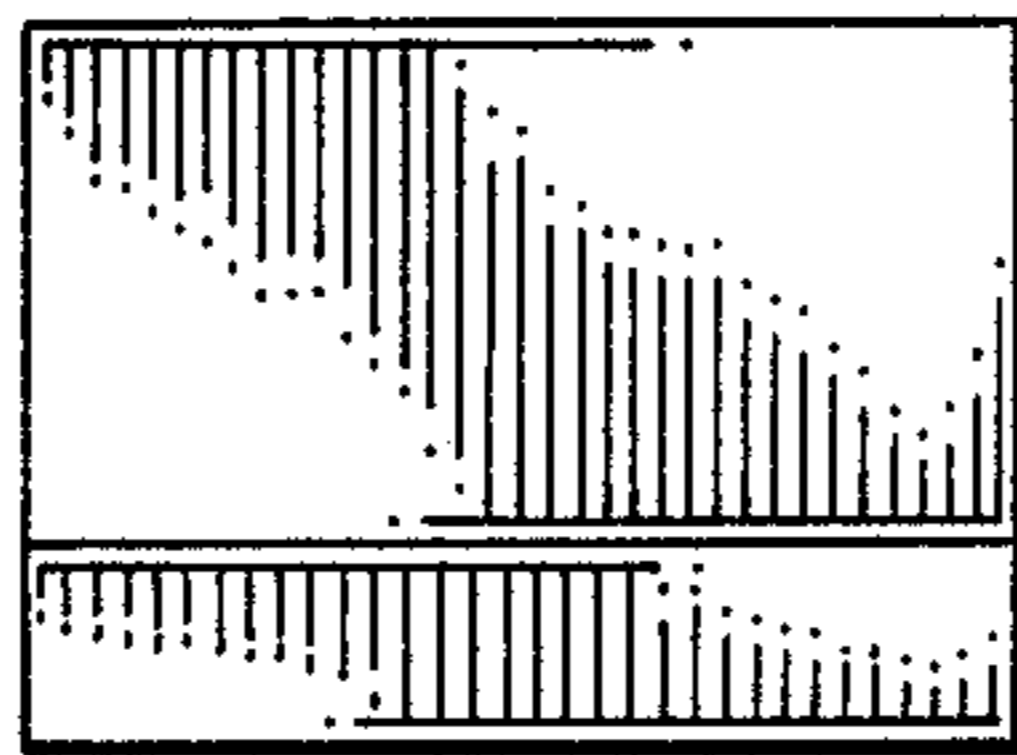


FIG. 3

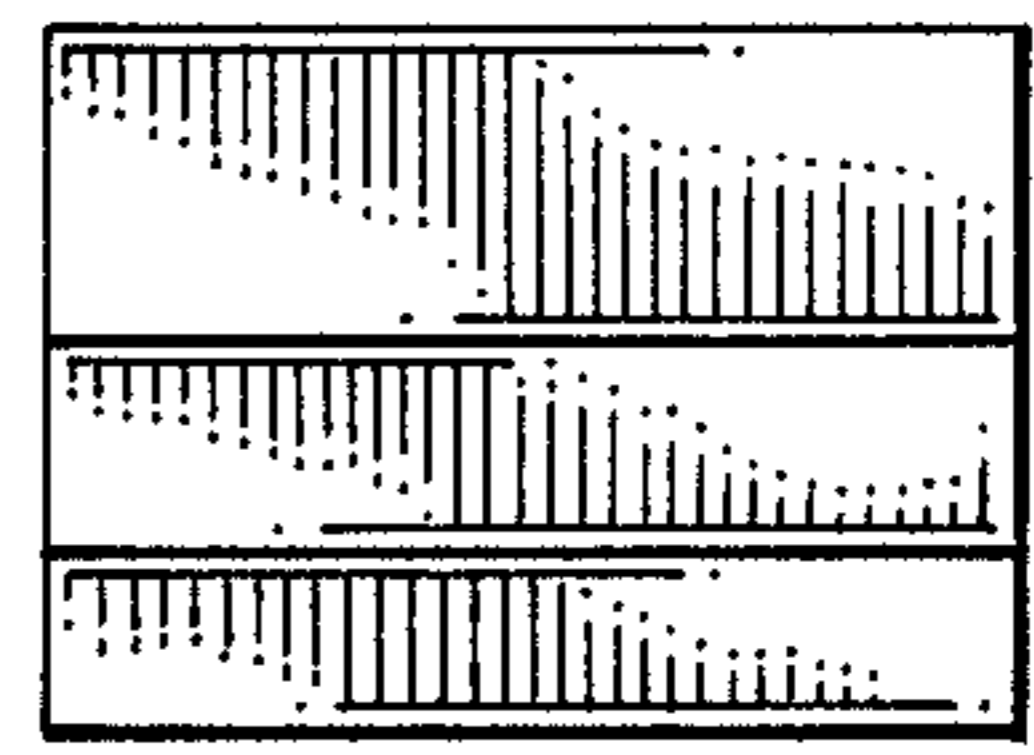


FIG. 4

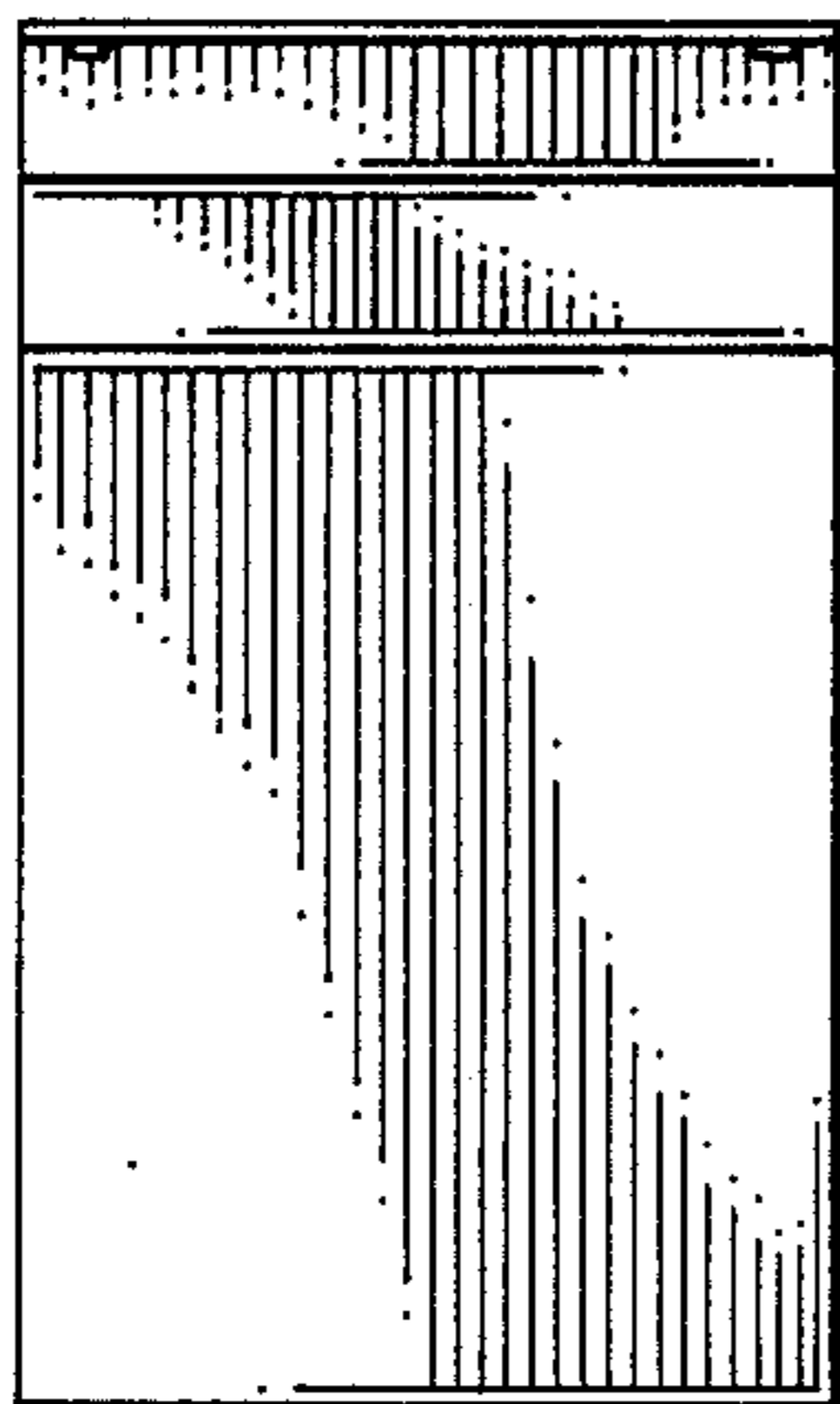


FIG. 5

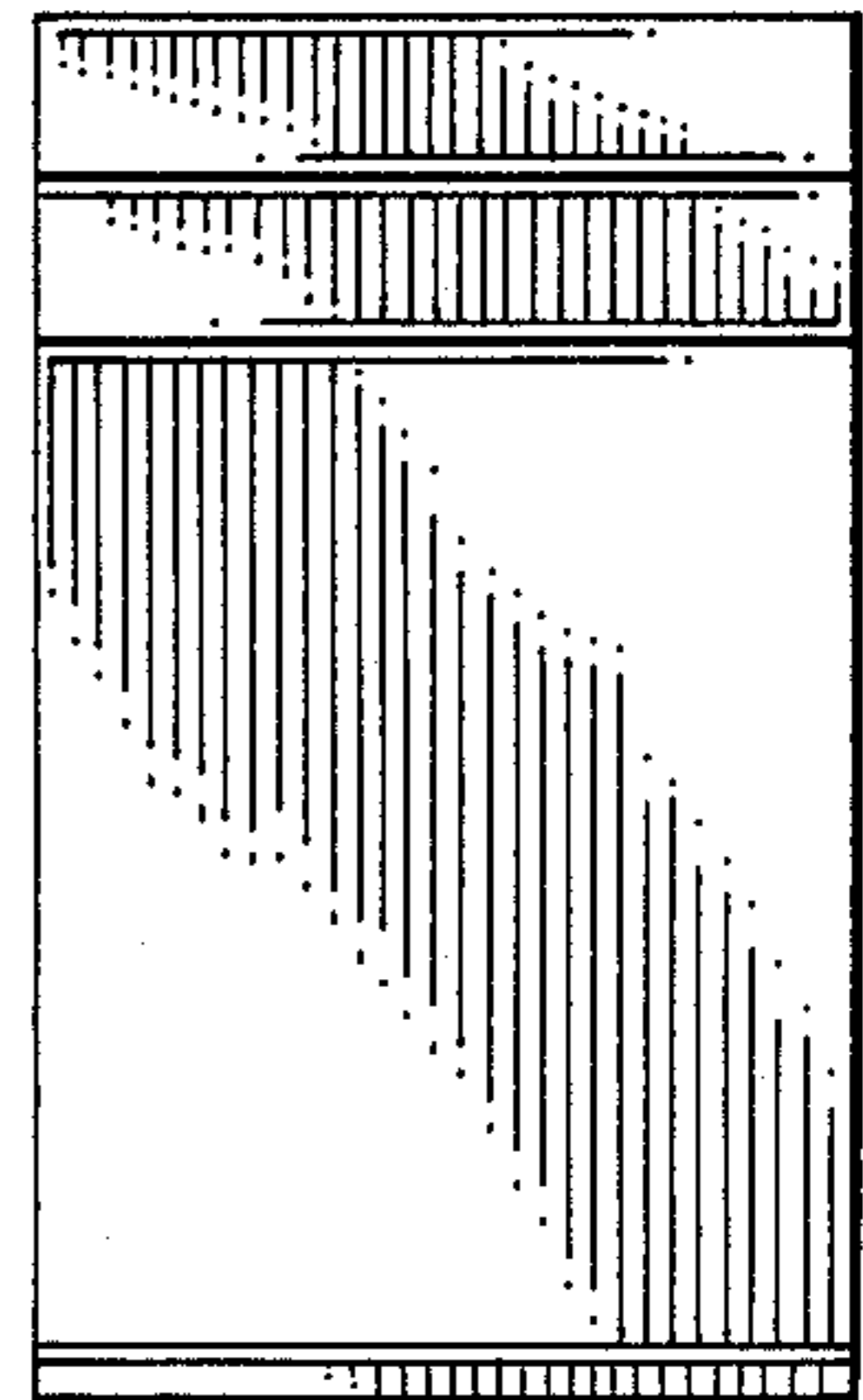


FIG. 6