

[54] COMBINED DRILLING AND INSERTION MACHINE FOR FURNITURE FITTINGS

[75] Inventor: Dietmar Blum, Höchst, Austria

[73] Assignee: Julius Blum Gesellschaft m.b.H., Höchst, Austria

[**] Term: 14 Years

[21] Appl. No.: 698,595

[22] Filed: Feb. 5, 1985

[30] Foreign Application Priority Data

Aug. 16, 1984 [AT] Austria 26850/426/1984

Aug. 16, 1984 [AT] Austria 26.851/426/1984

[52] U.S. Cl. D15/132; D15/199

[58] Field of Search D15/122, 132, 199; 408/35; 29/33 R, 33 K, 35, 26 A

[56] References Cited

U.S. PATENT DOCUMENTS

- D. 273,496 4/1984 House, II D15/132
- D. 284,970 8/1986 Wolff D15/132
- 4,692,973 9/1987 Blum 29/26 A

Primary Examiner—B. J. Bullock

Attorney, Agent, or Firm—Wenderoth, Lind & Ponack

[57] CLAIM

The ornamental design for a combined drilling and insertion machine for furniture fittings, substantially as shown and described.

DESCRIPTION

FIG. 1 is a front elevation view of a combined drilling and insertion machine for furniture fittings showing my new design;

FIG. 2 is a rear elevation view thereof;

FIG. 3 is a right side elevation view thereof;

FIG. 4 is a left side elevation view thereof;

FIG. 5 is a bottom plan view thereof; and

FIG. 6 is a top plan view thereof.

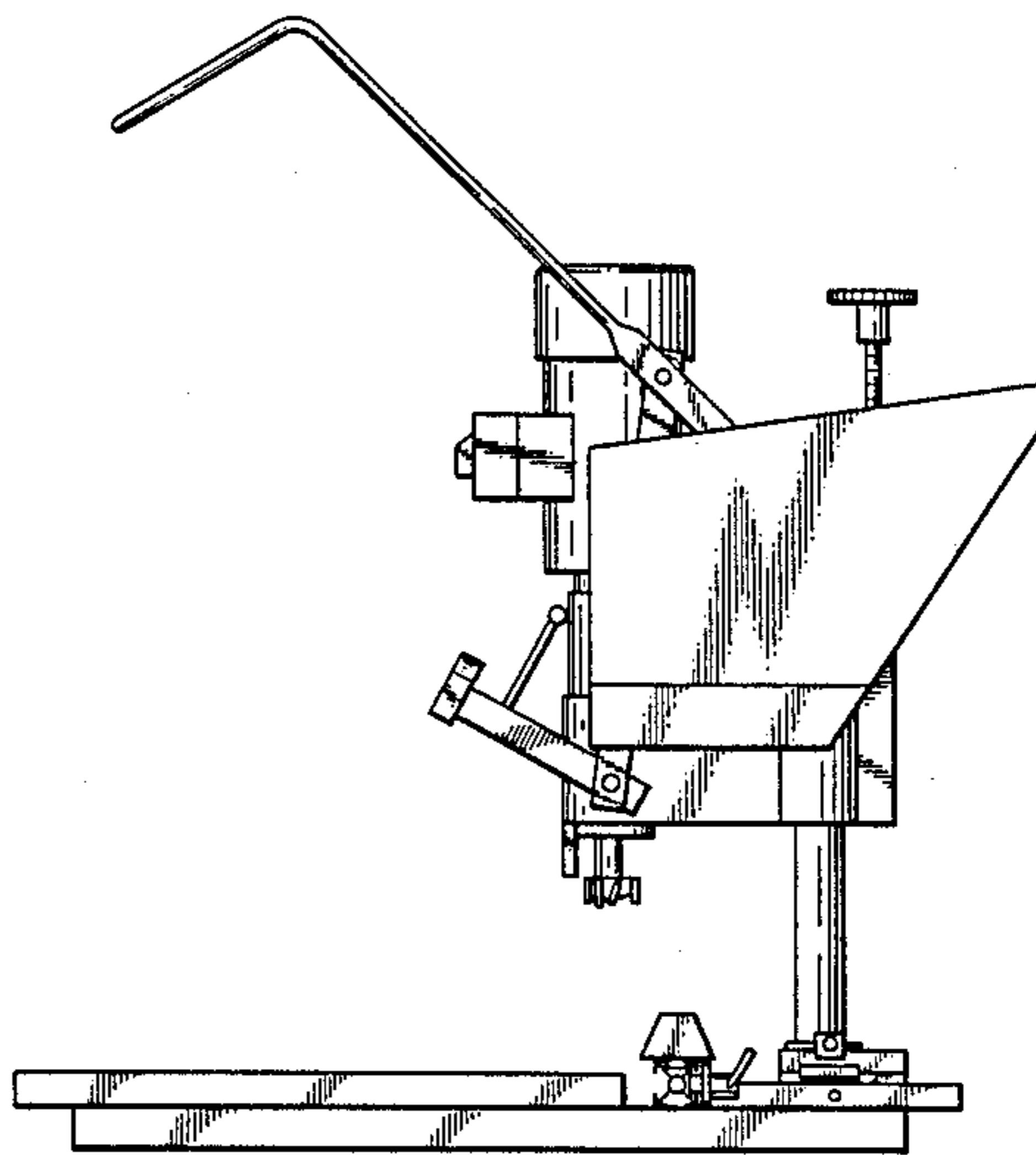
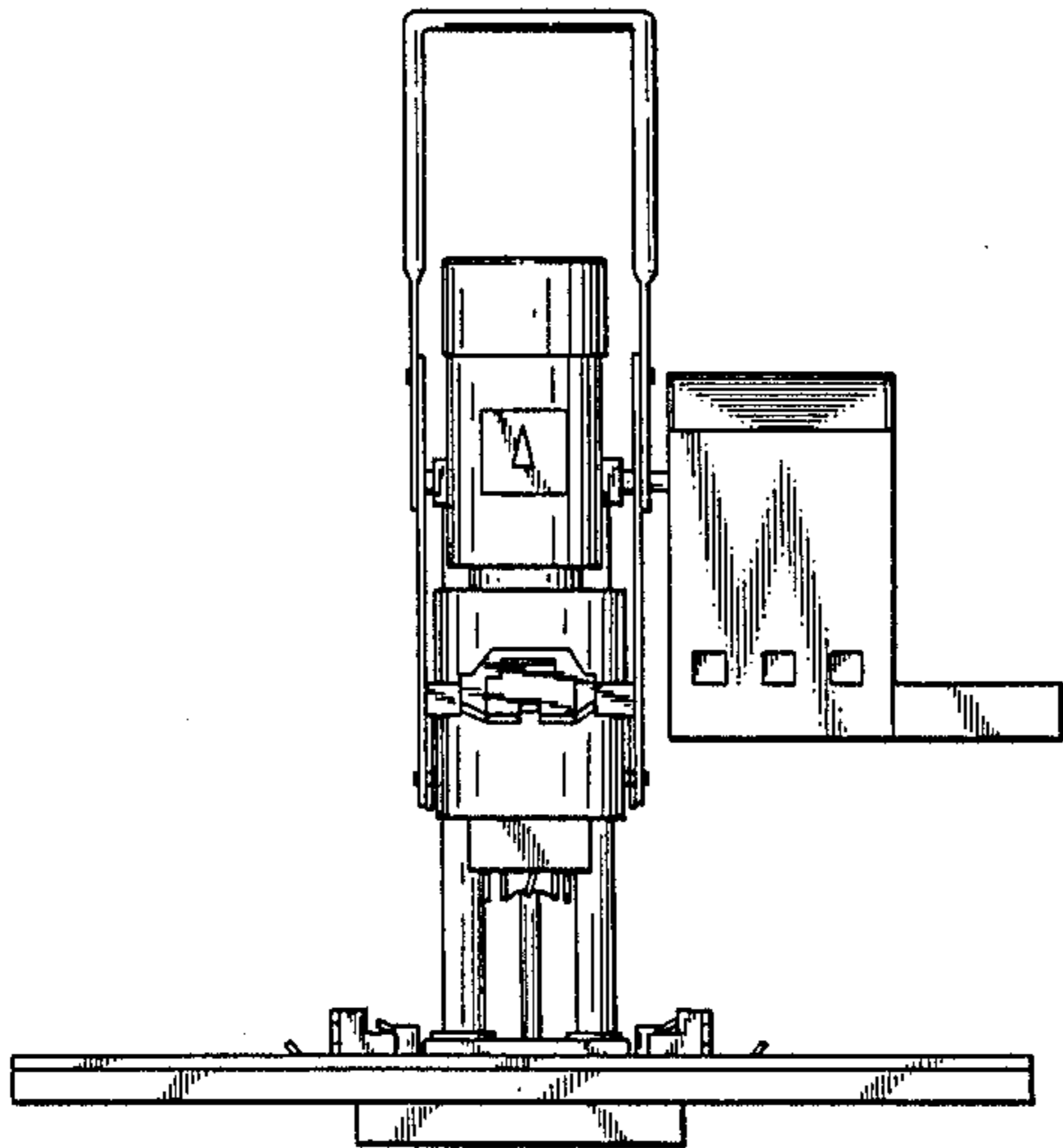


FIG. 1

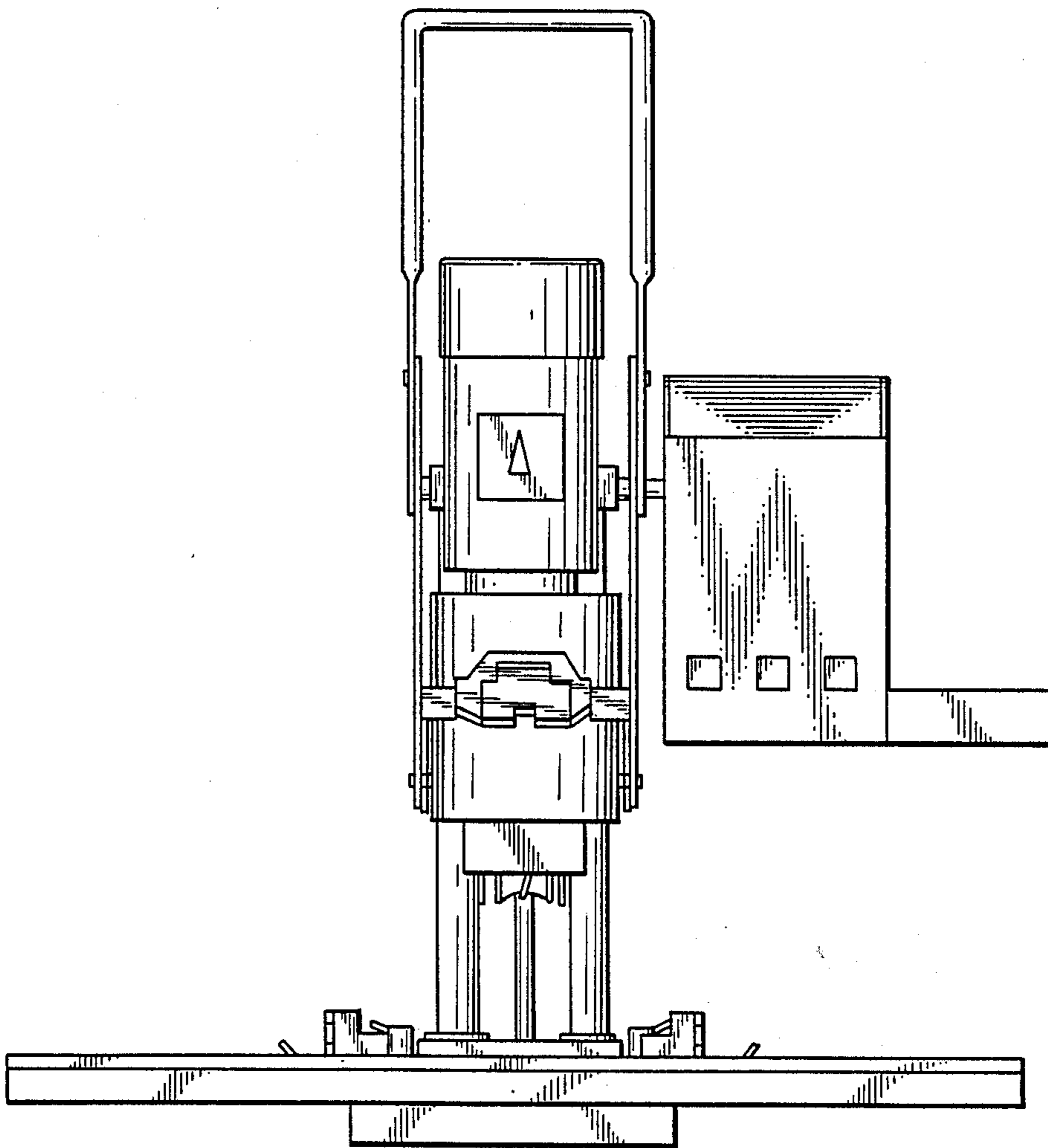


FIG. 2

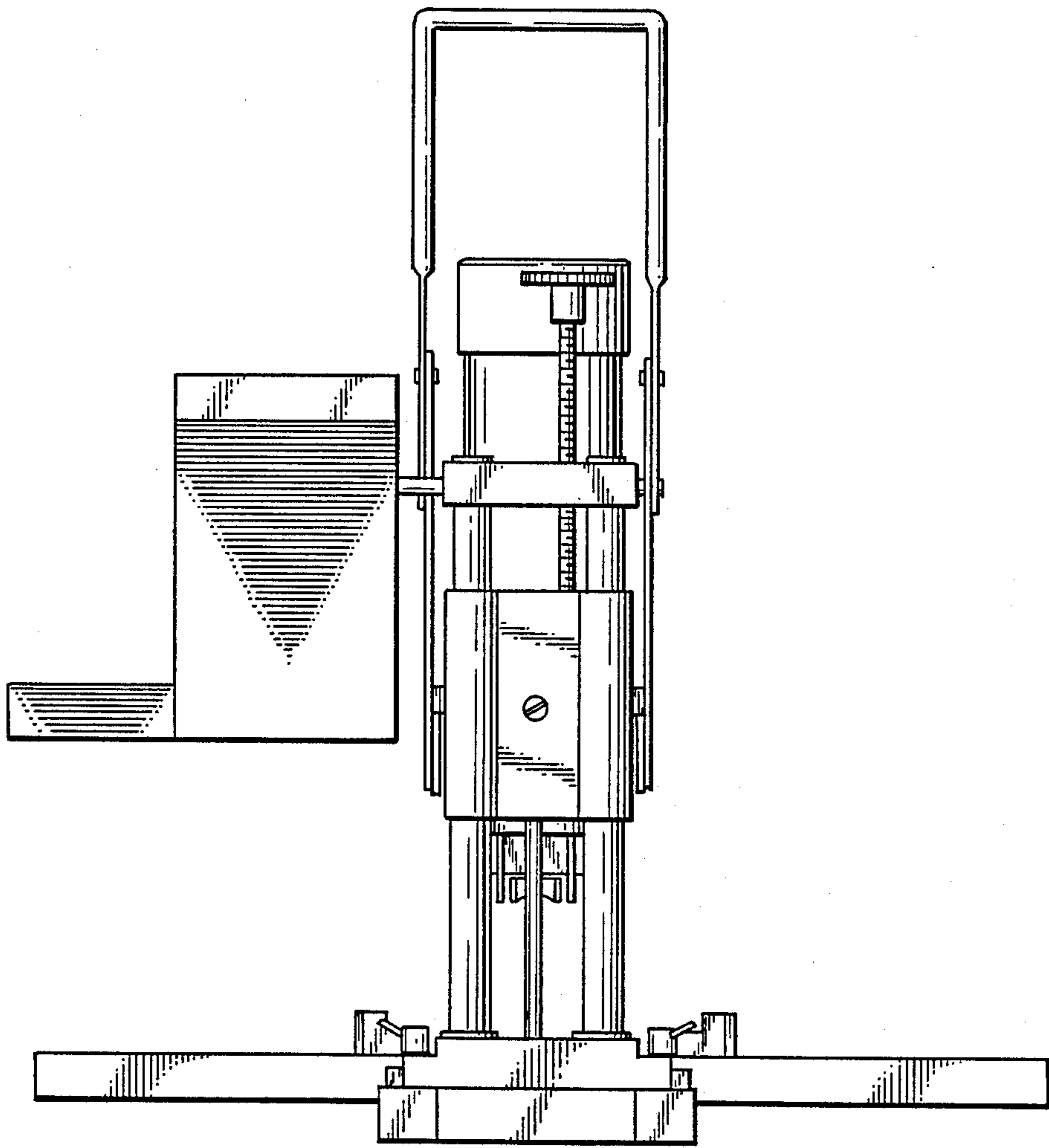


FIG. 3

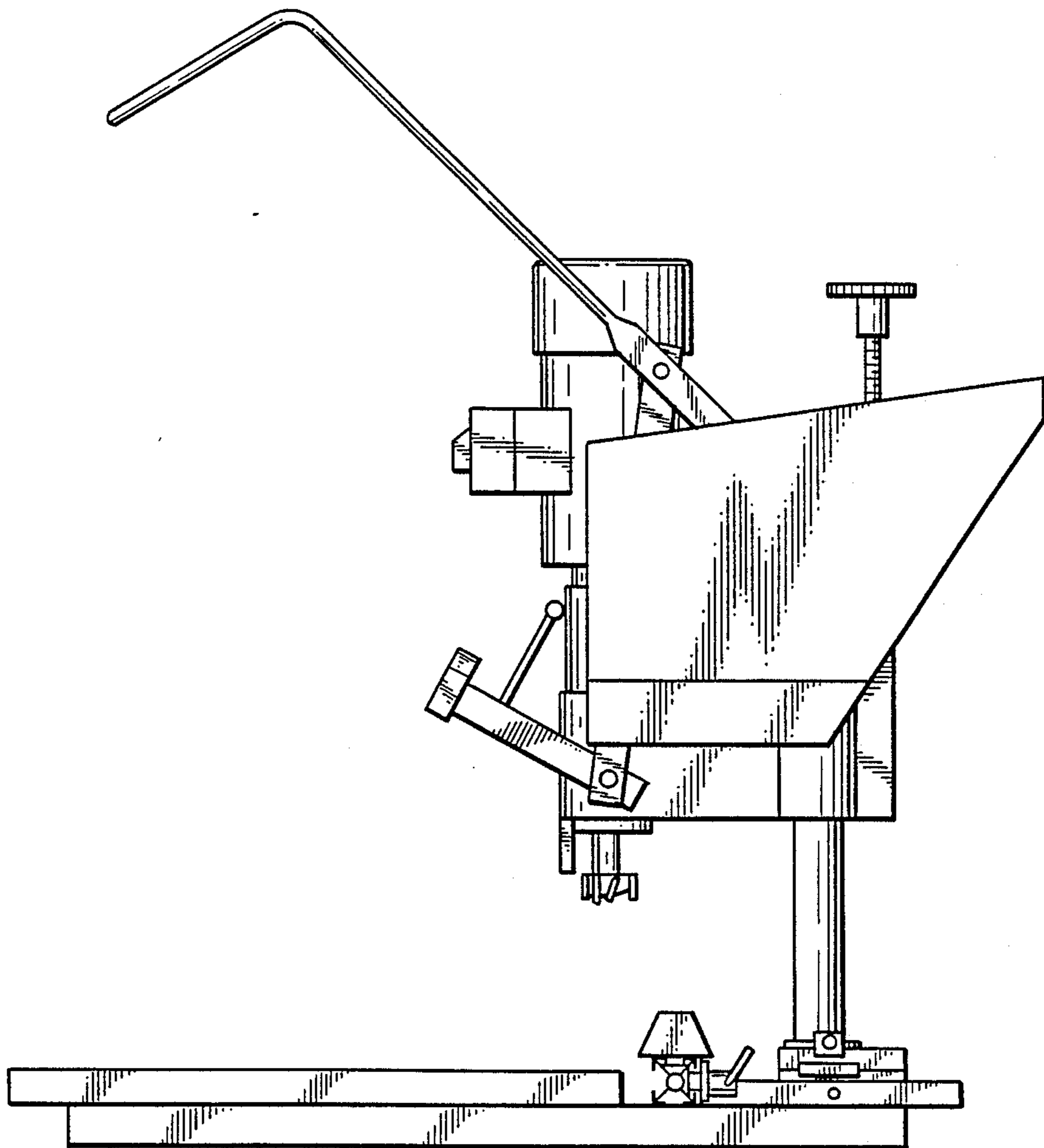


FIG. 4

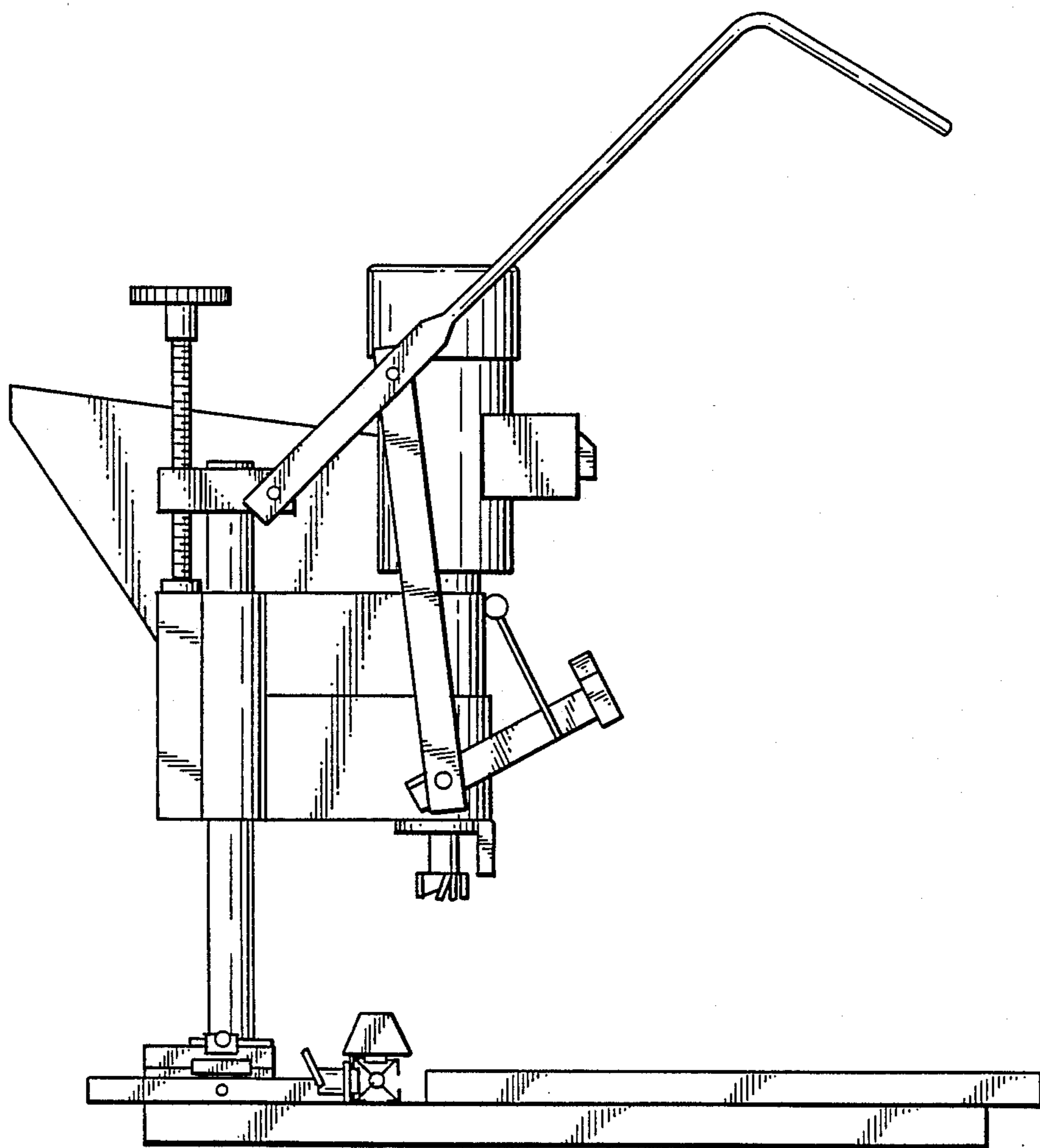


FIG. 5

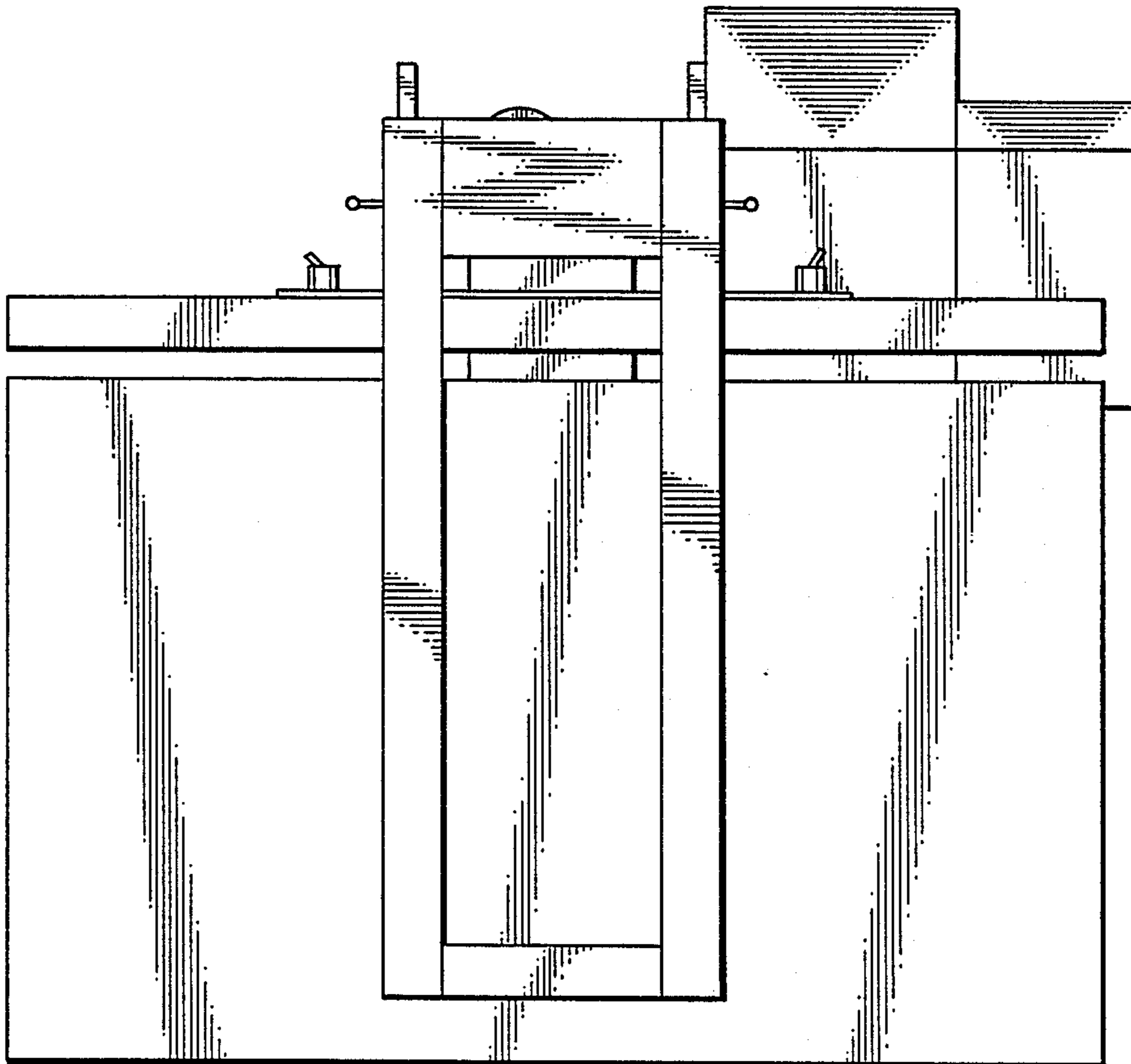


FIG. 6

