

[54] PRINTER

[75] Inventor: Roger C. Williams, Raleigh, N.C.

[73] Assignee: International Business Machines Corp., Armonk, N.Y.

[**] Term: 14 Years

[21] Appl. No.: 777,138

[22] Filed: Sep. 18, 1985

[52] U.S. Cl. D14/111

[58] Field of Search D14/100, 106, 107, 111, D14/114; D18/13, 18, 22; 400/689, 690, 690.1, 690.4, 691, 693

[56] References Cited

U.S. PATENT DOCUMENTS

- D. 280,723 9/1985 Nishida et al. D14/111
- D. 283,900 5/1986 Hollerith, Jr. et al. D14/111
- D. 286,153 10/1986 Davis D14/111
- D. 289,050 3/1987 Wilson et al. D14/111

Primary Examiner—Susan J. Lucas
Attorney, Agent, or Firm—Joscelyn G. Cockburn

[57] CLAIM

The ornamental design for a printer, substantially as shown and described.

DESCRIPTION

FIG. 1 is a perspective view of a printer showing my new design;
 FIG. 2 is a front elevational view thereof on an enlarged scale;
 FIG. 3 is a rear elevational view thereof on an enlarged scale;
 FIG. 4 is a right side elevational view thereof on an enlarged scale;
 FIG. 5 is a left side elevational view thereof on an enlarged scale;
 FIG. 6 is a top plan view thereof on an enlarged scale;
 FIG. 7 is a bottom plan view thereof on an enlarged scale.

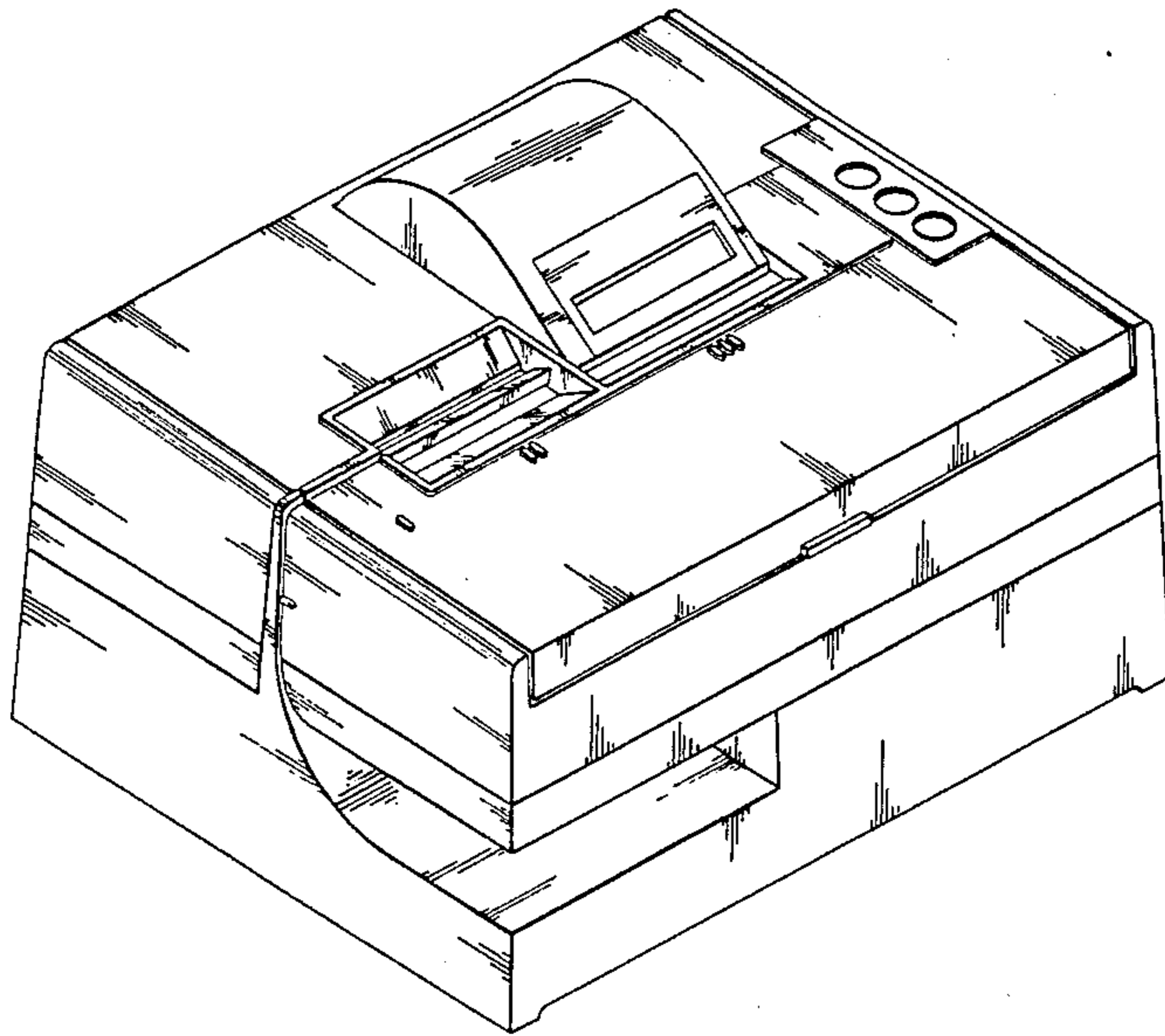


FIG. 1

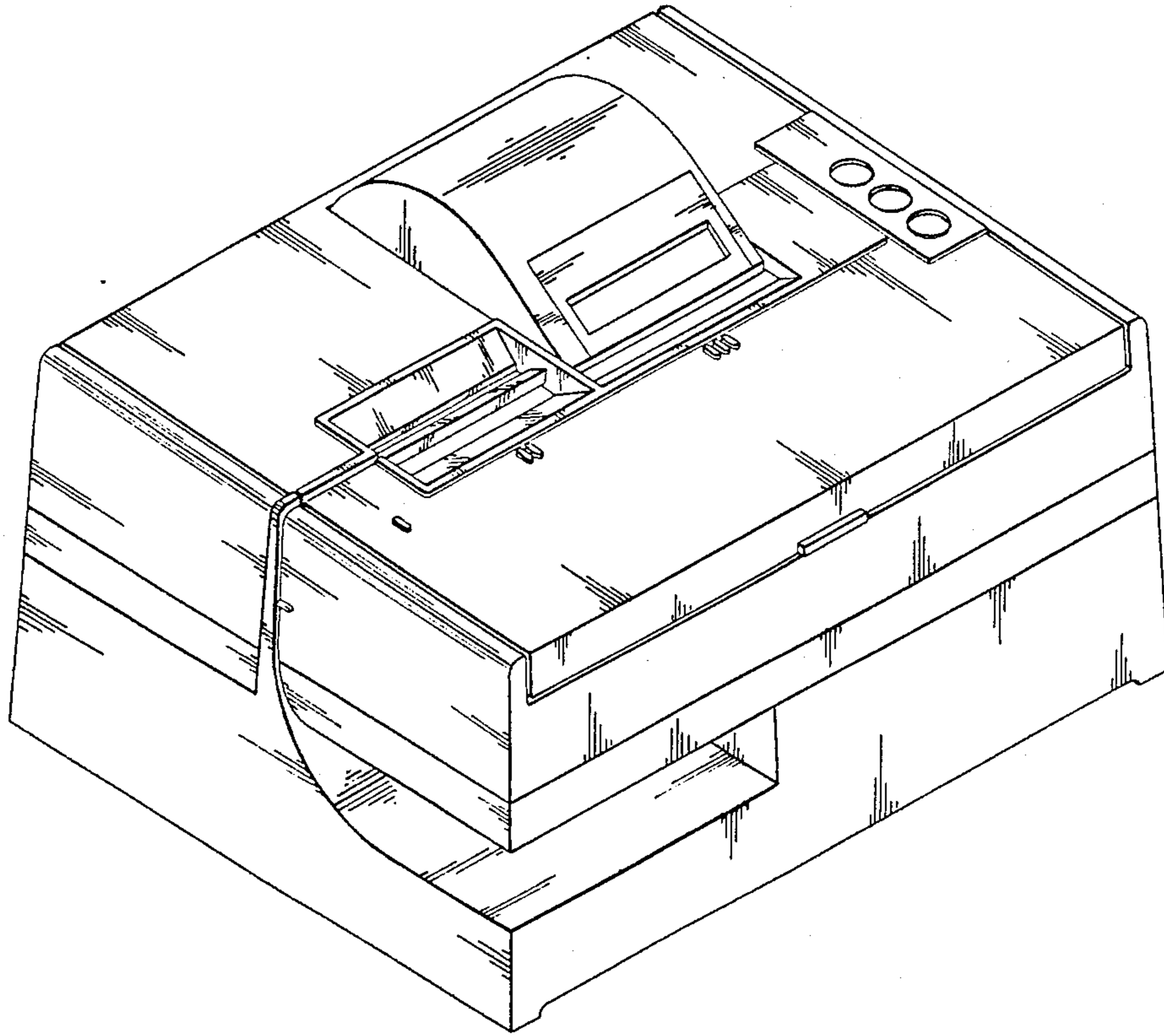


FIG. 2

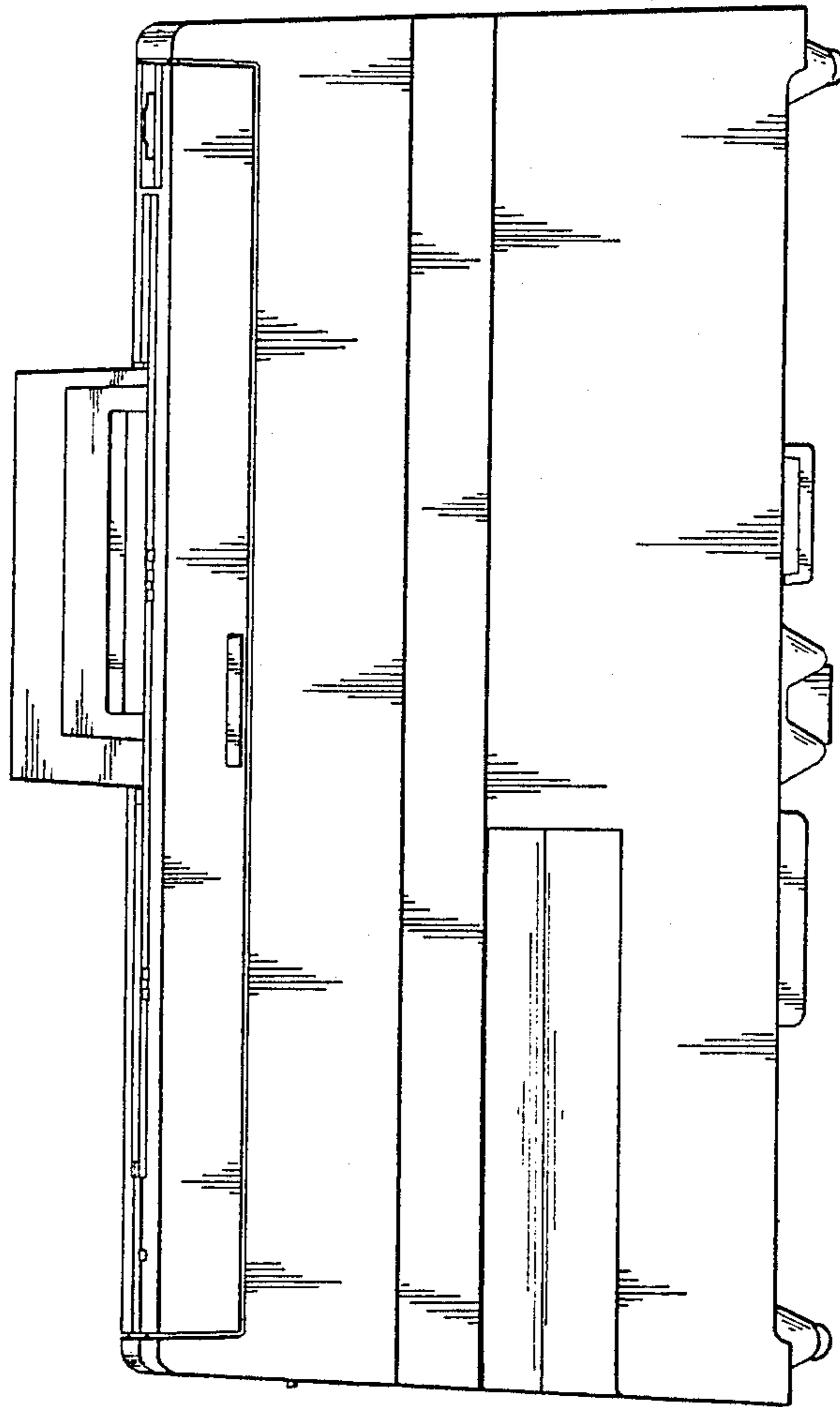


FIG. 3

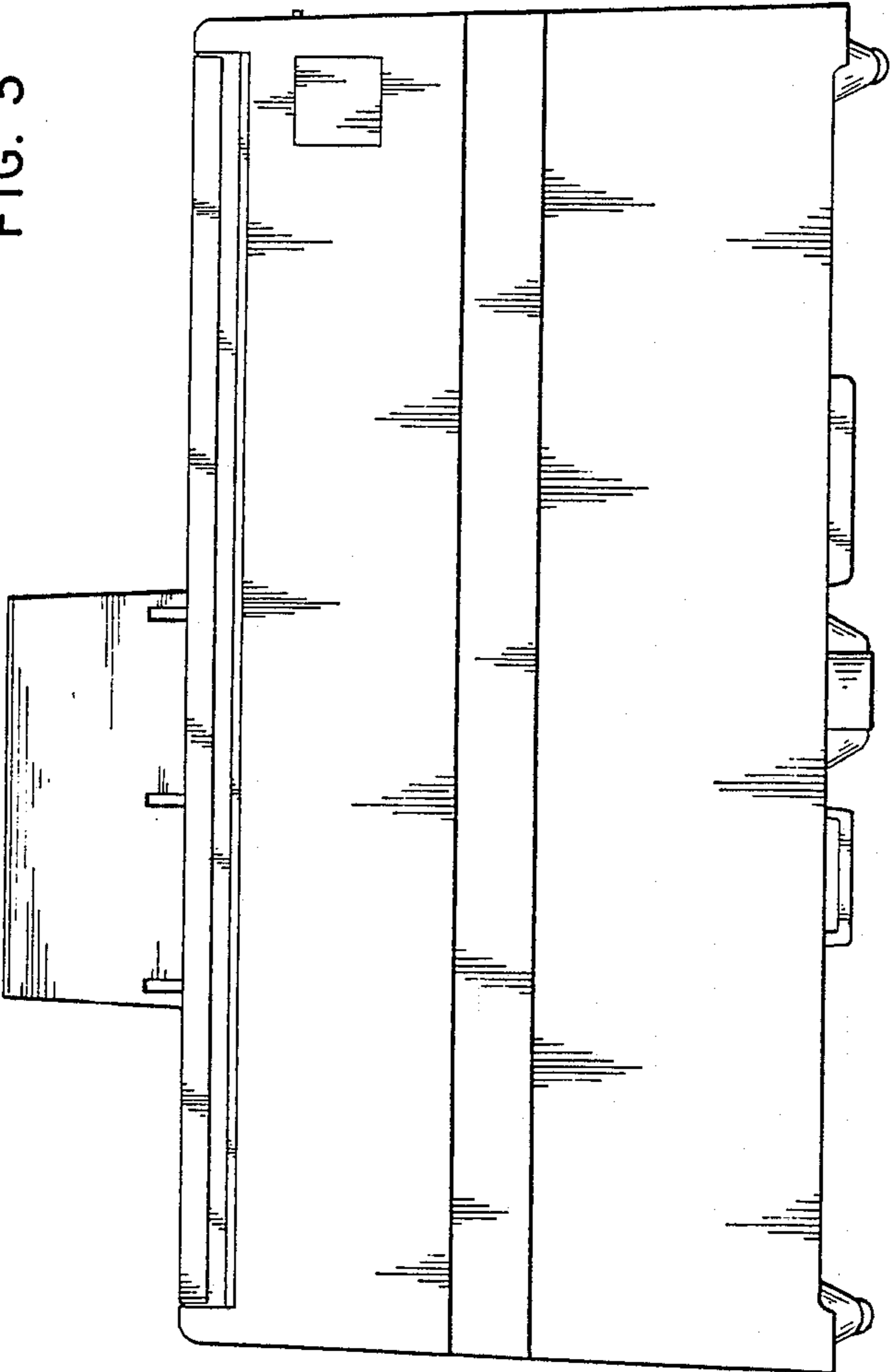


FIG. 4

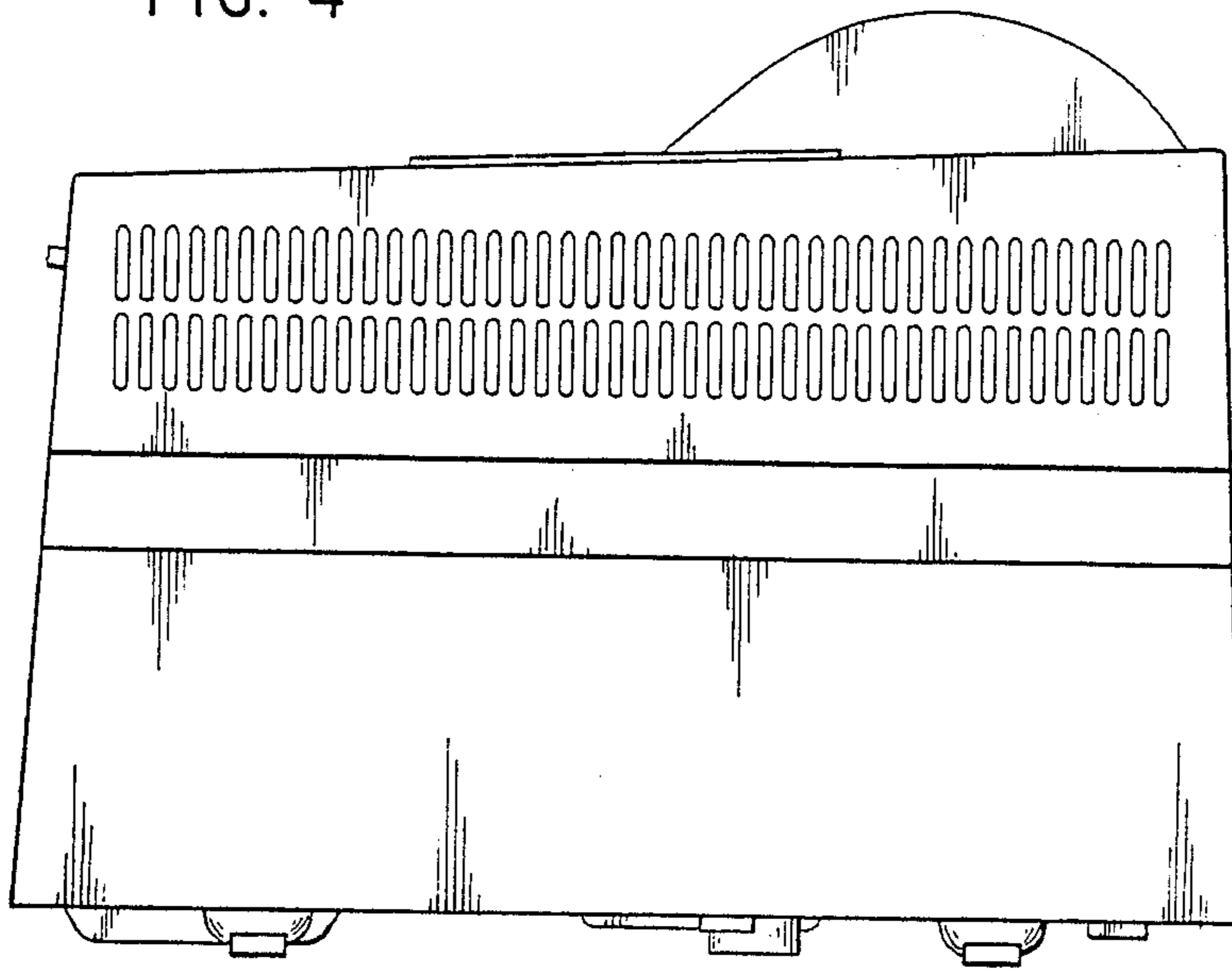


FIG. 5

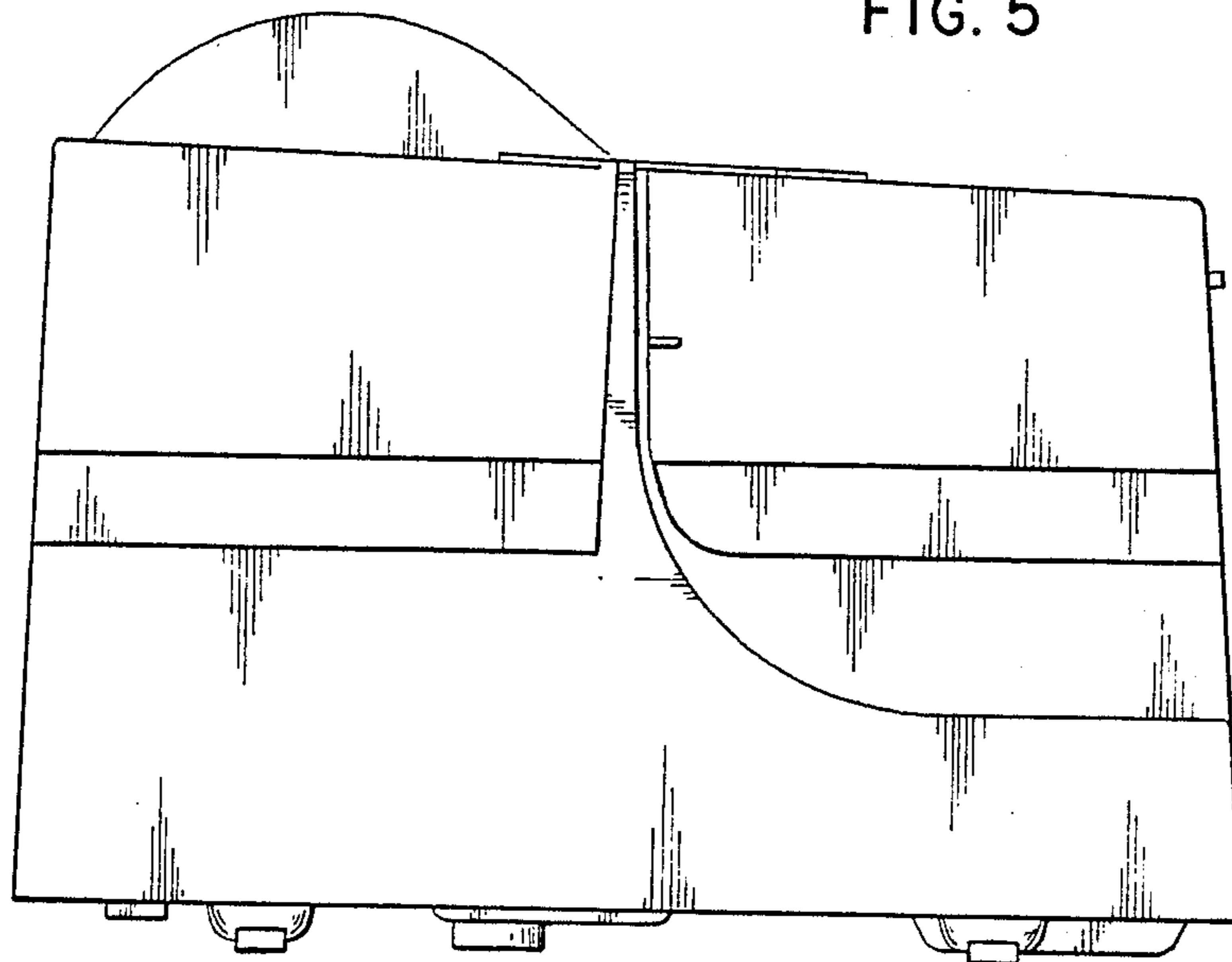


FIG. 6

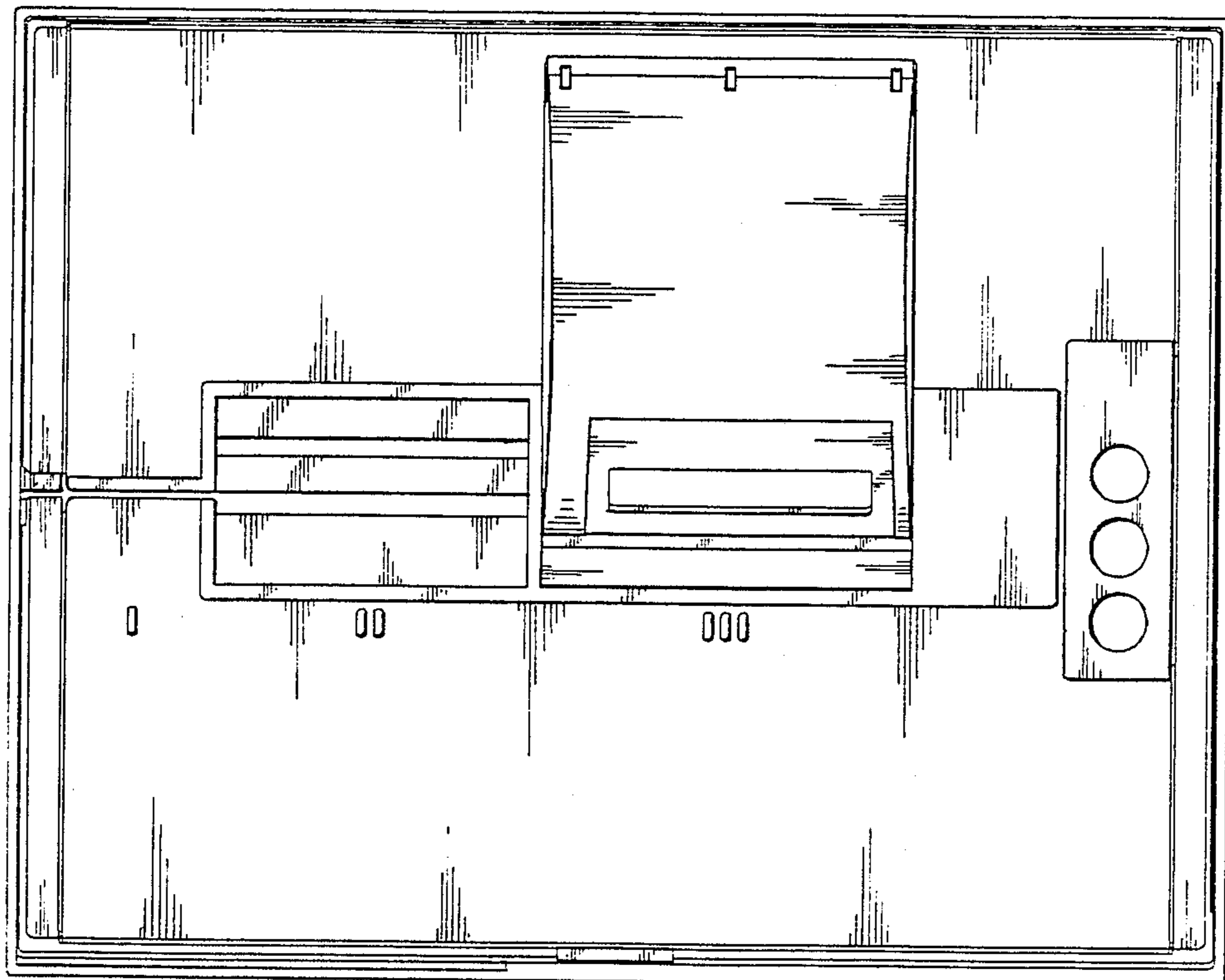


FIG. 7

