

[54] TELEPHONE STAND

[75] Inventors: John G. Engstrom, Indianapolis, Ind.; Henry J. Mack, Jr., Levittown; John N. McGarvey, Drexel Hill, both of Pa.; Robert A. Till, Jr., Indianapolis, Ind.; Michael P. Zambelli, Maplewood, N.J.

[73] Assignee: American Telephone & Telegraph Company, AT&T Information Systems, Holmdel, N.J.

[\*] Notice: The portion of the term of this patent subsequent to Dec. 30, 2000 has been disclaimed.

[\*\*] Term: 14 Years

[21] Appl. No.: 14,491

[22] Filed: Feb. 13, 1987

[52] U.S. Cl. .... D14/60; D14/52; D14/57

[58] Field of Search ..... D14/53, 60, 57, 58; 379/432, 436, 428; D21/111; 445/141-143

[56] References Cited

U.S. PATENT DOCUMENTS

- D. 247,813 5/1978 Genaro ..... D14/60
- D. 253,345 11/1979 Read ..... D14/60
- D. 271,691 12/1983 Bhat et al. .... D14/60

- D. 276,430 11/1984 Isaacs ..... D14/60
- D. 277,001 1/1985 McGarvey ..... D14/60
- D. 281,599 12/1985 Joffe ..... D14/62
- D. 283,814 5/1986 Genaro et al. .... D14/60
- D. 285,441 9/1986 Isaacs ..... D14/60
- D. 286,285 10/1986 Danielson et al. .... D14/60
- D. 287,494 12/1986 Danielson ..... D14/60
- 4,515,998 5/1985 Pinede ..... 179/146 R

Primary Examiner—Horace B. Fay  
Attorney, Agent, or Firm—Michael A. Morra

[57] CLAIM

The ornamental design for a telephone stand, substantially as shown and described.

DESCRIPTION

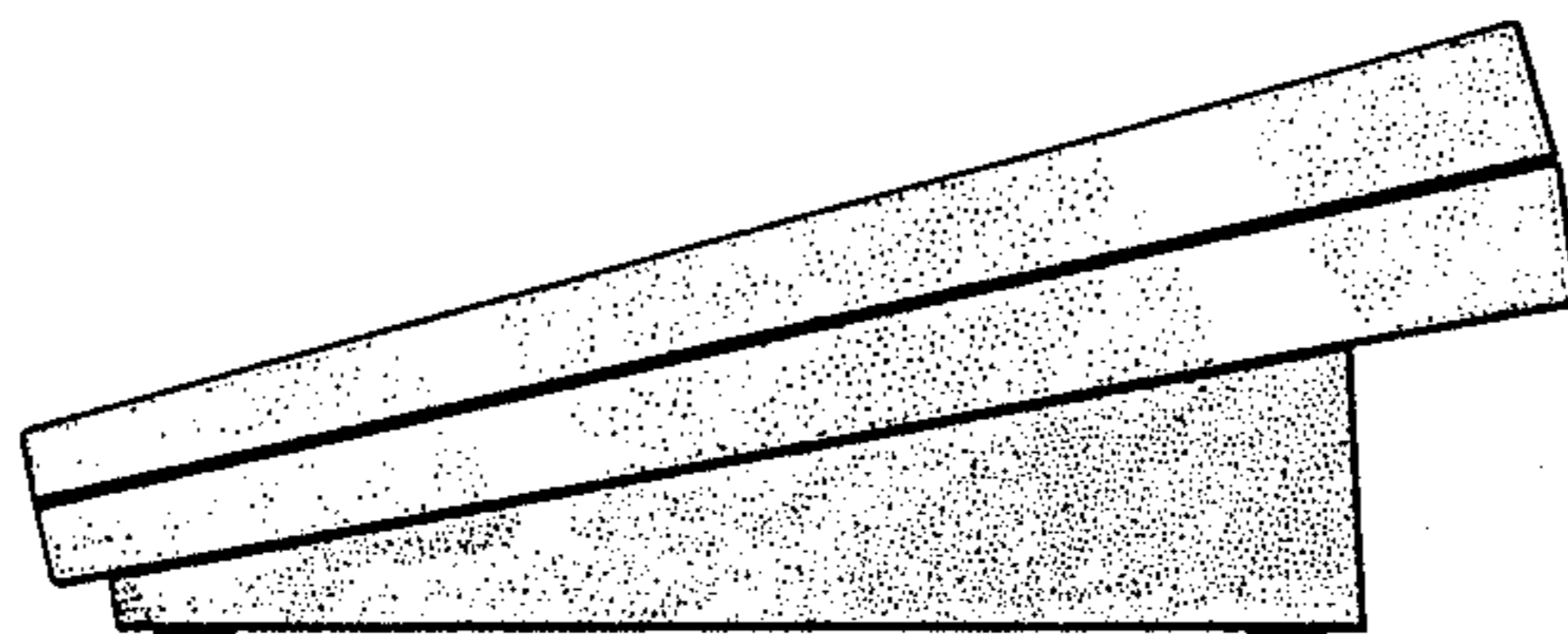
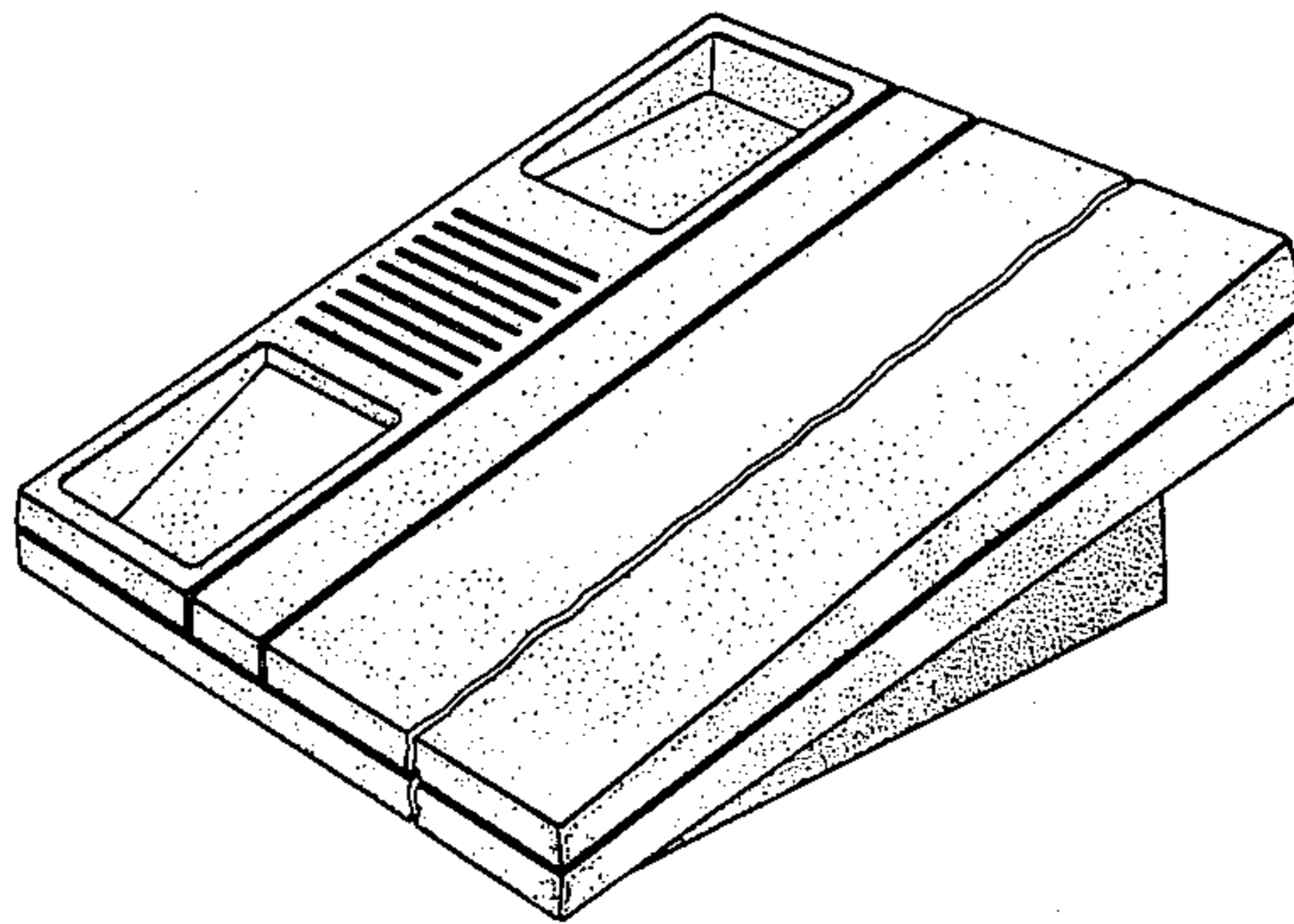
FIG. 1 is a top, front and right side perspective view of a telephone stand showing our new design intended to be common for all embodiments; the stand being broken away to indicate that the only difference between the embodiments resides in variations in the width of the stand, as disclosed in FIGS. 3 and 6;

FIG. 2 is a right side elevational view, the left side being substantially a mirror image thereof;

FIG. 3 is a top plan view of a first embodiment thereof; FIGS. 4 and 5 are respectively front and rear elevational views thereof;

FIG. 6 is a top plan view of a second embodiment thereof; and

FIGS. 7 and 8 are respectively front and rear elevational views thereof.



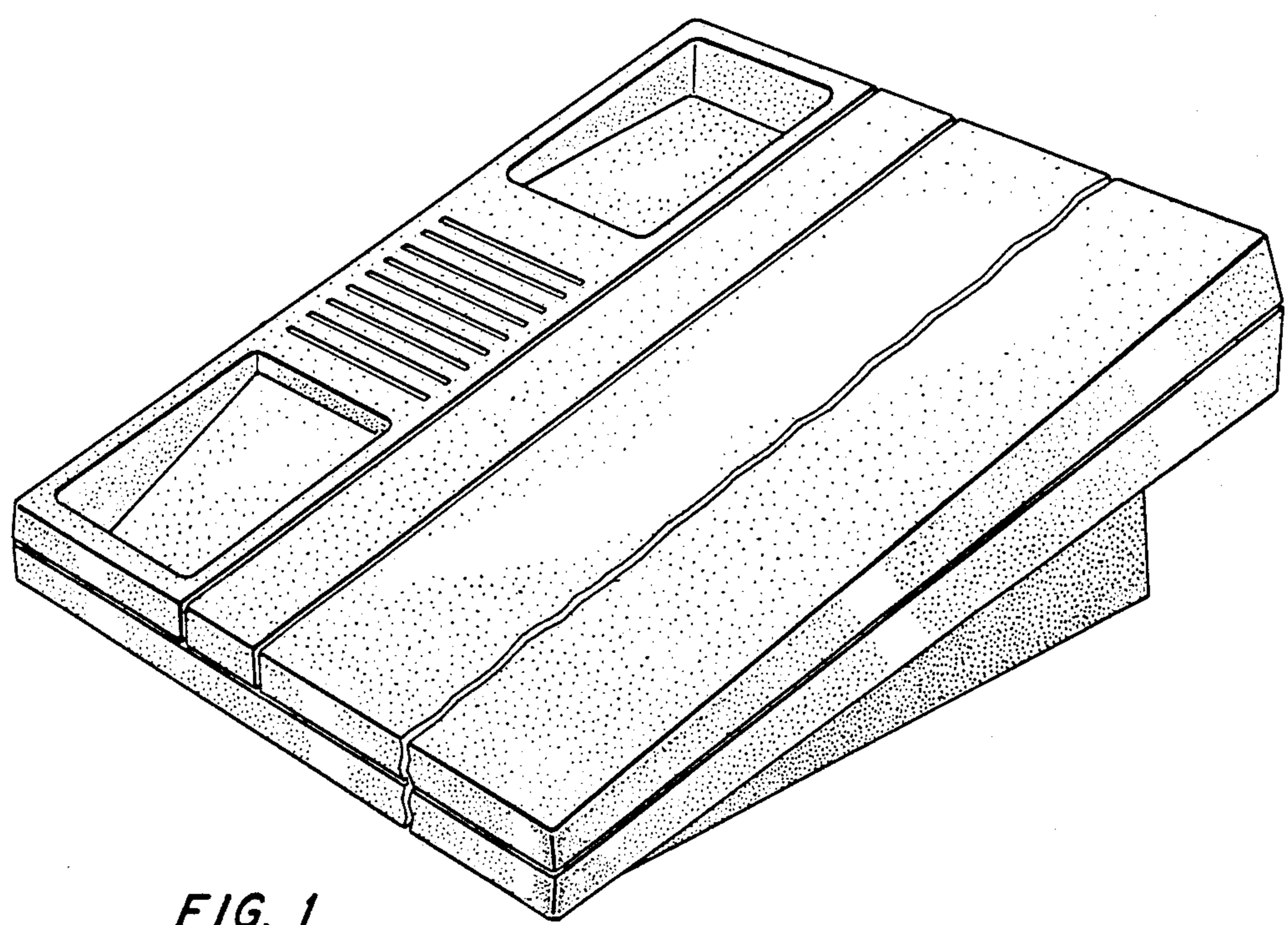


FIG. 1

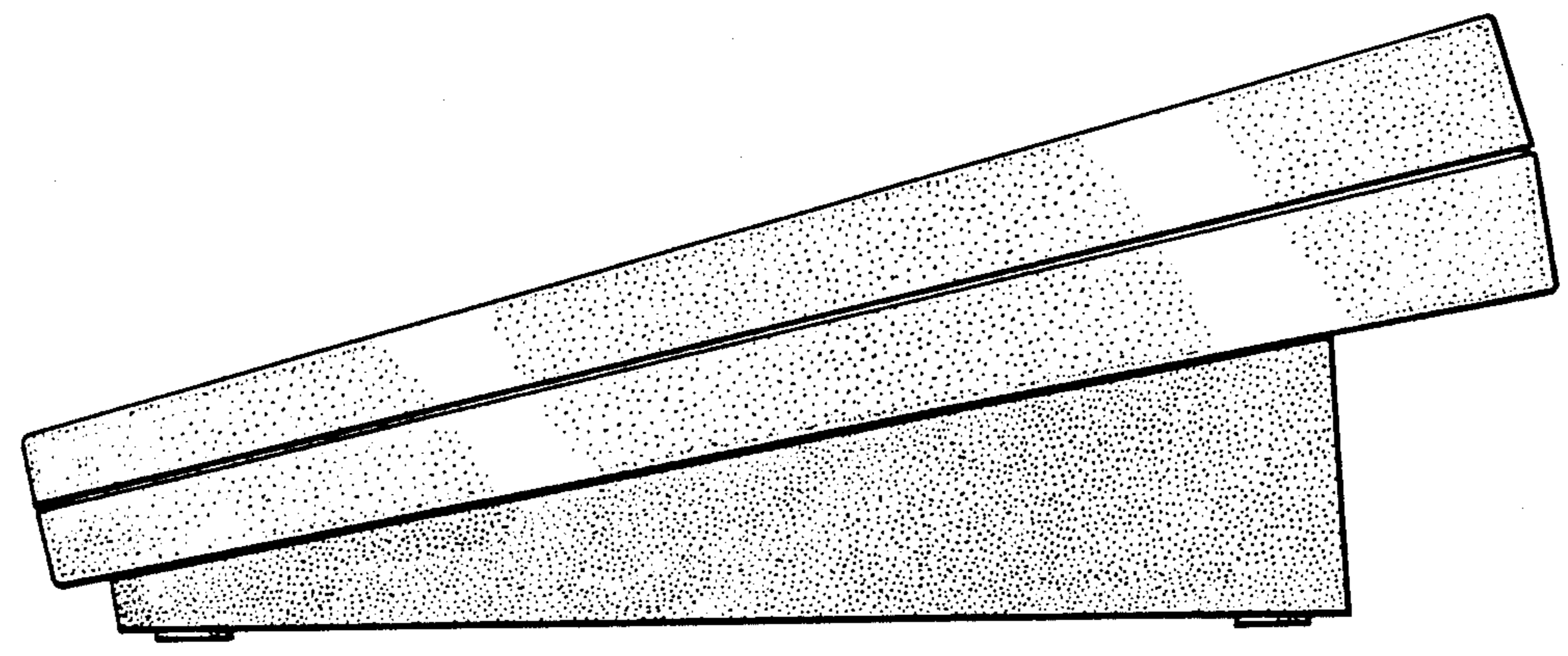


FIG. 2

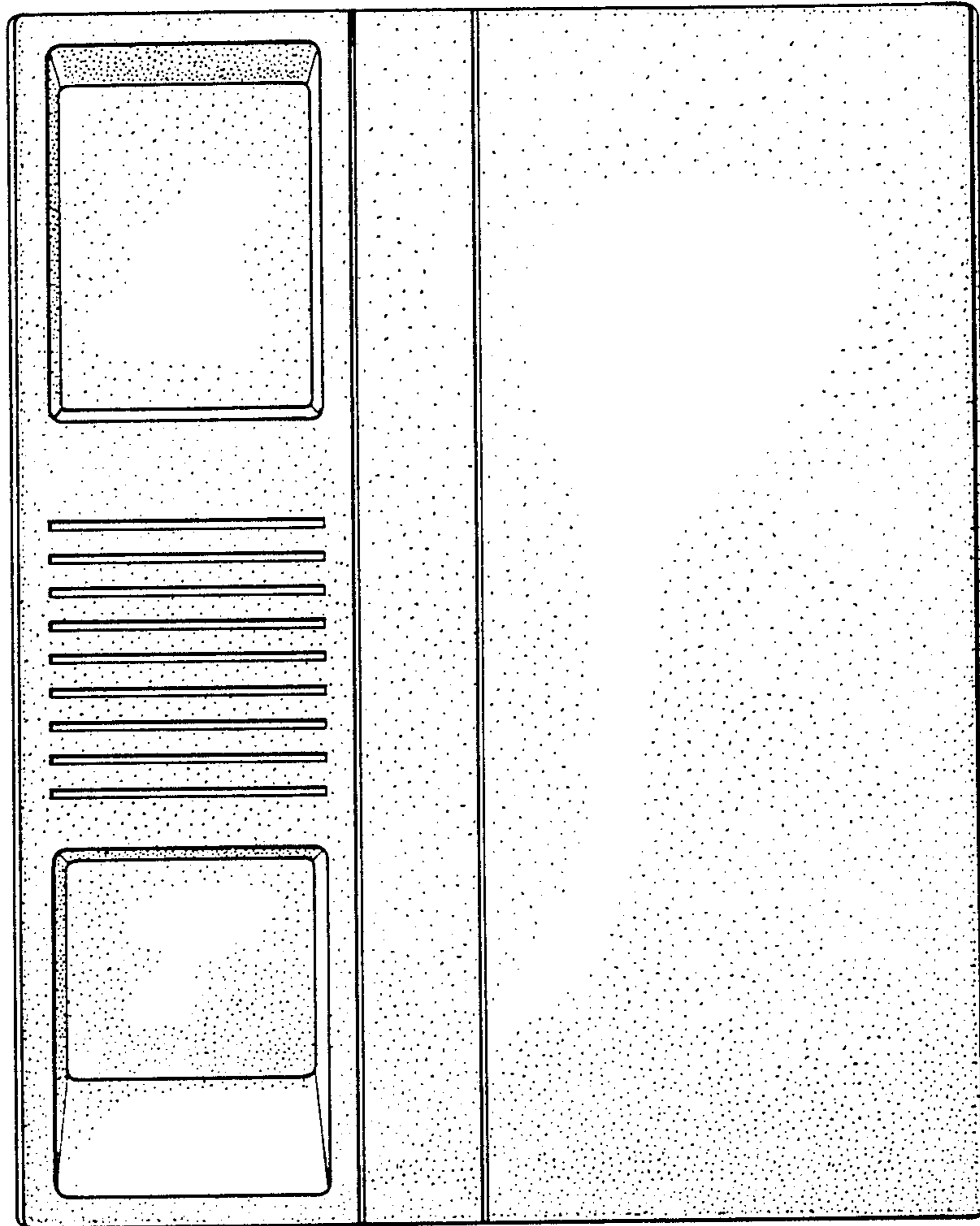


FIG. 3

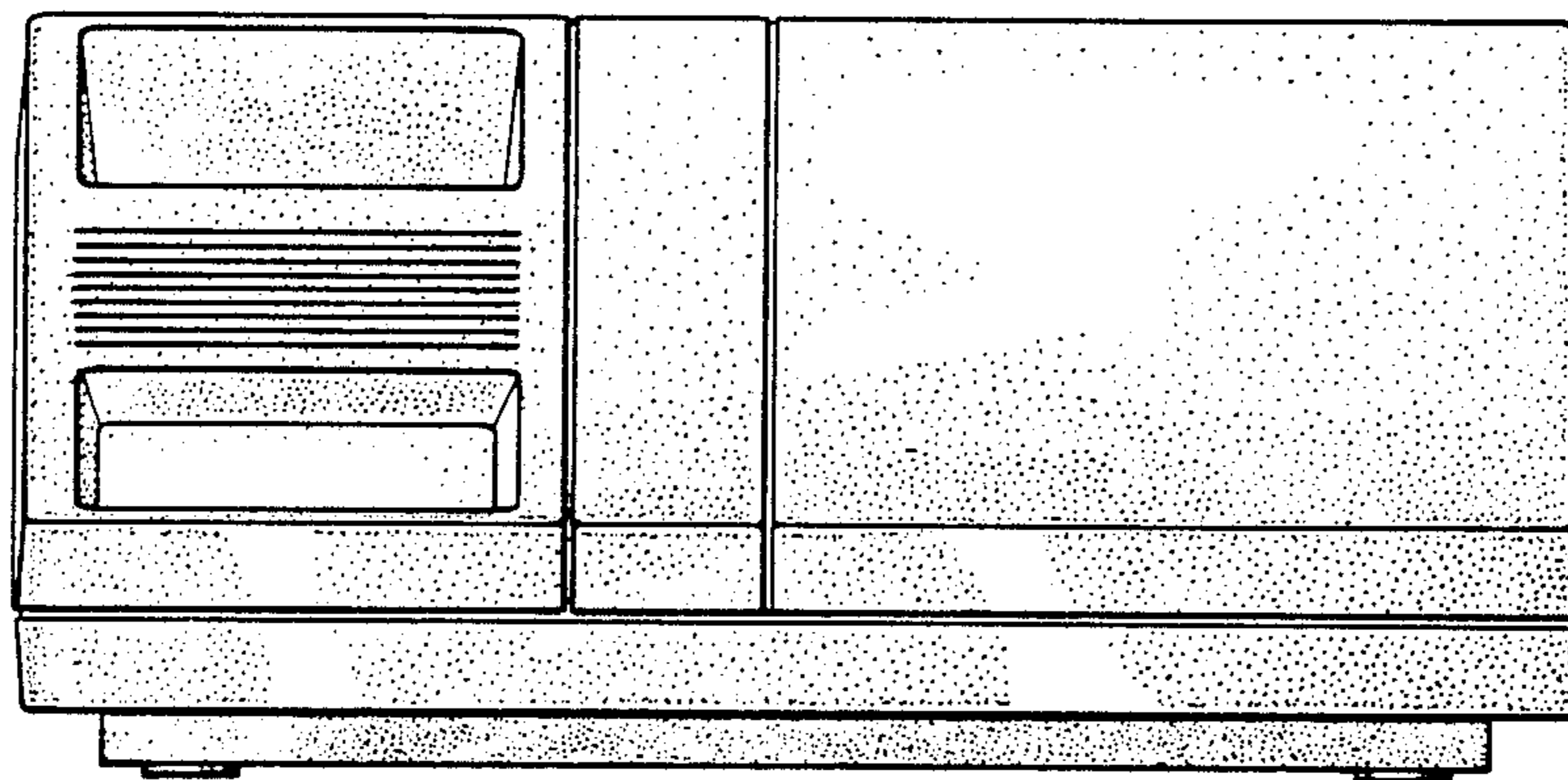


FIG. 4

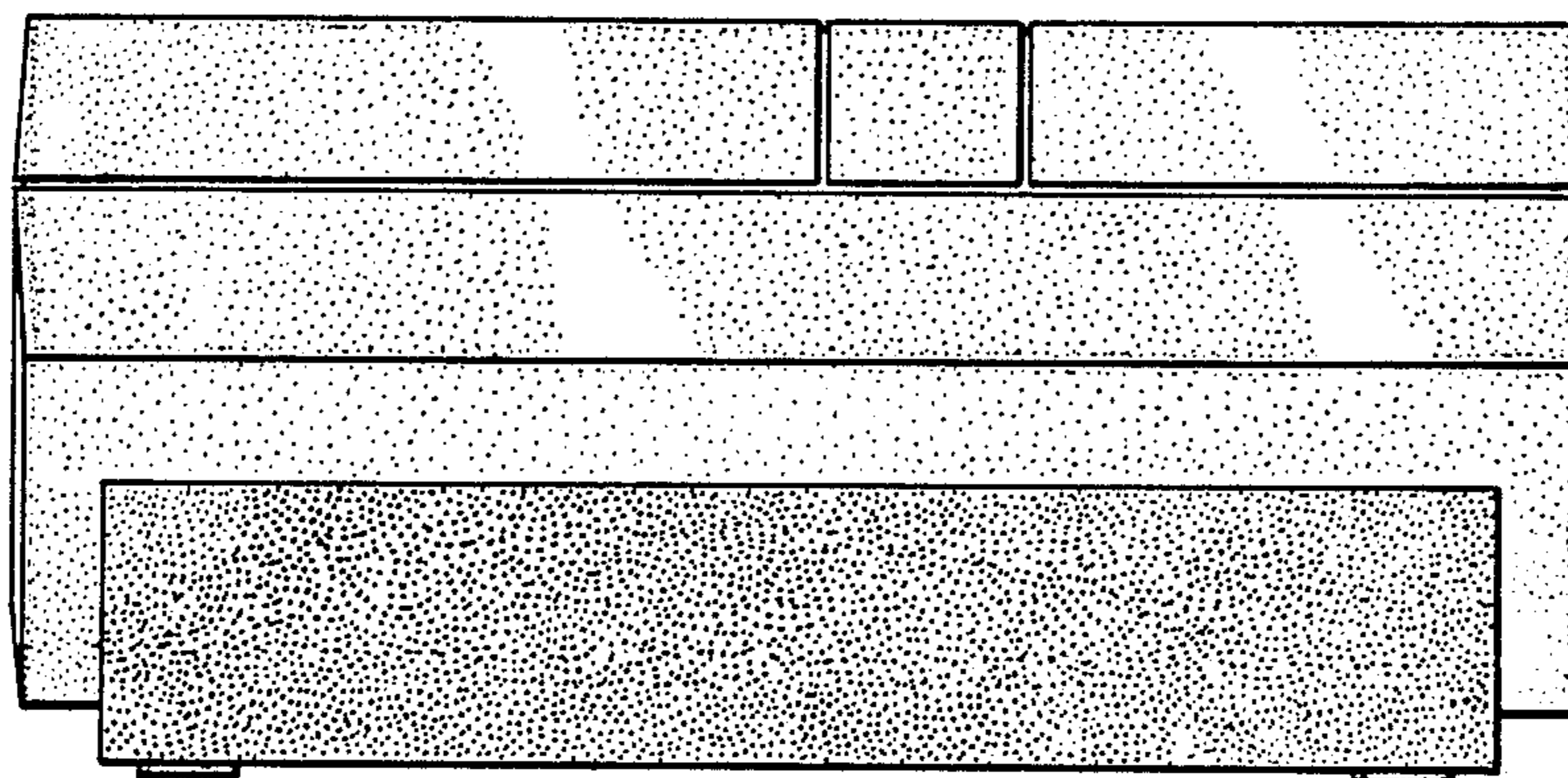


FIG. 5

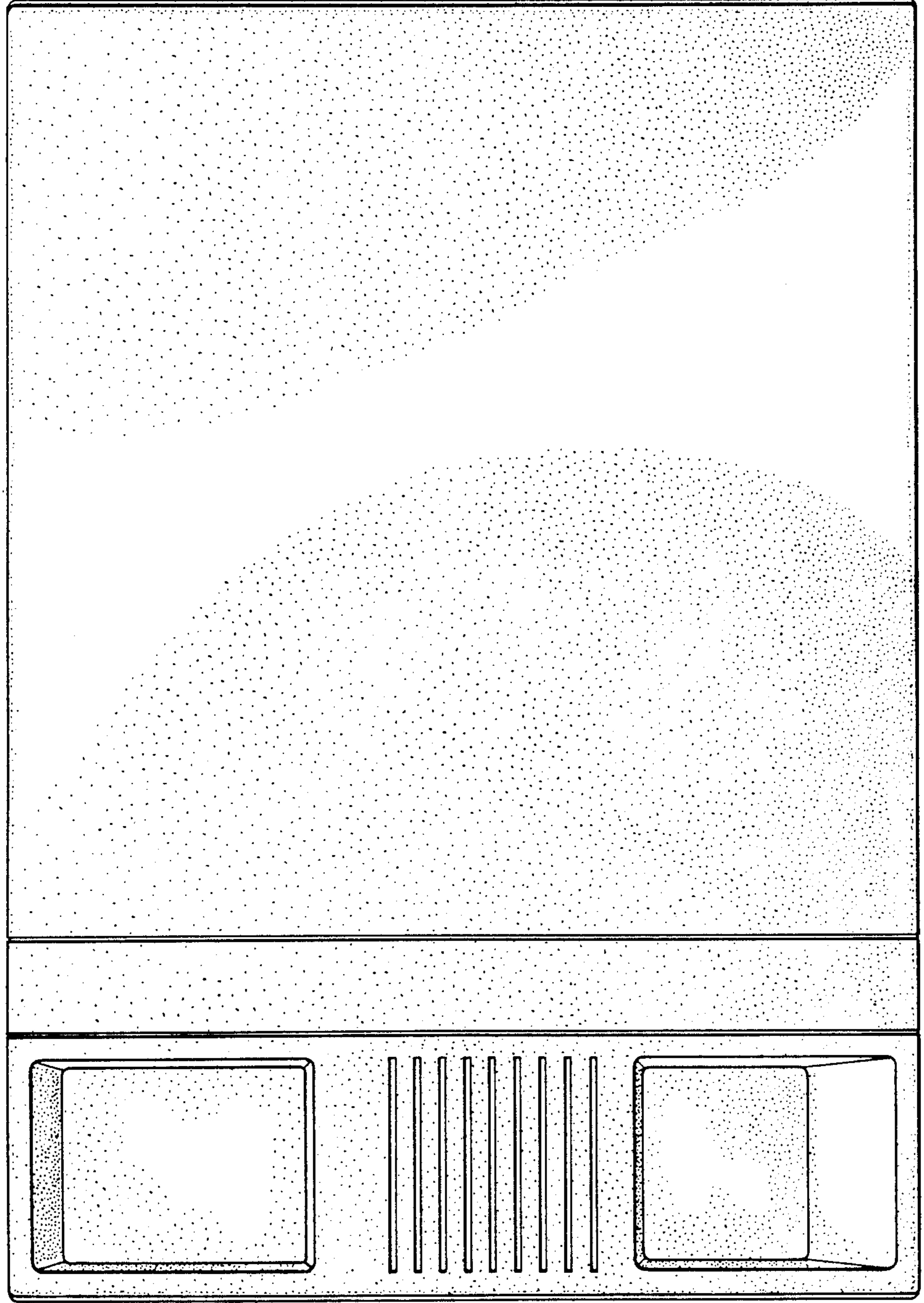
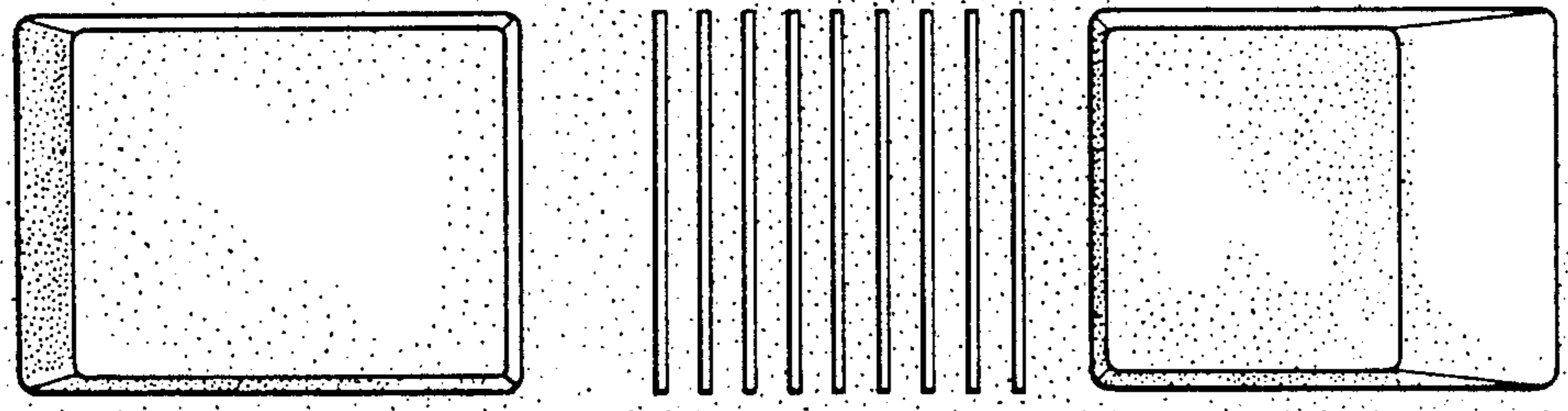


FIG. 6



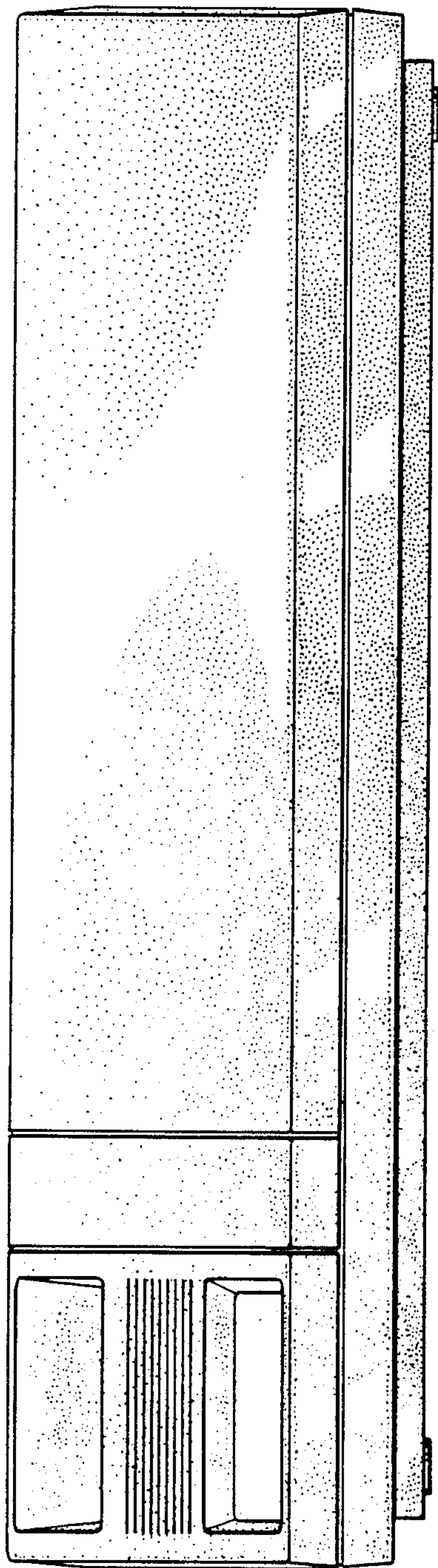


FIG. 7

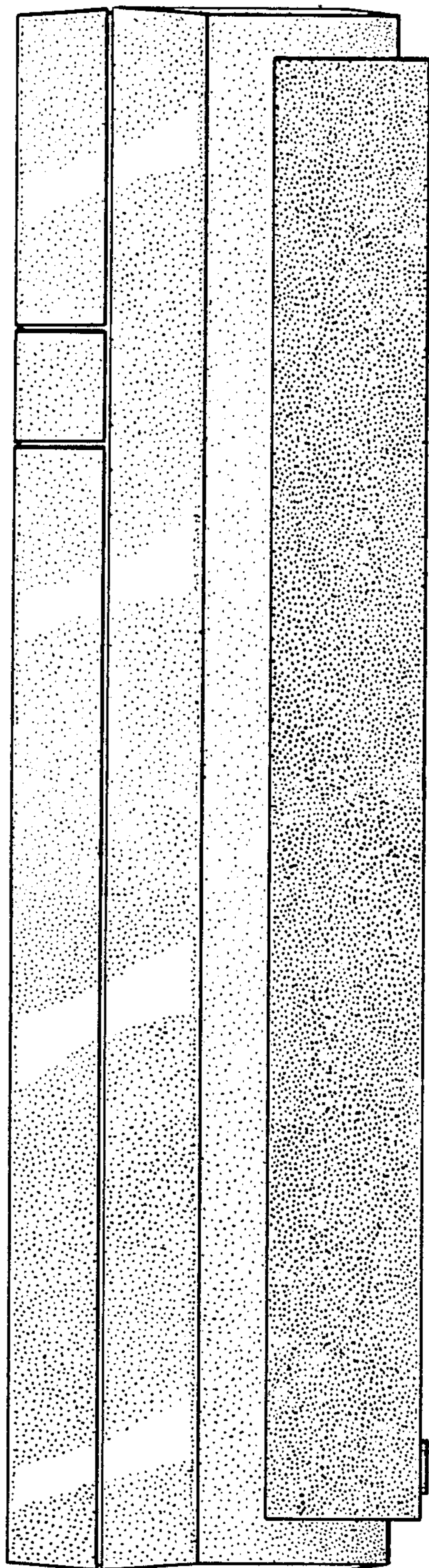


FIG. 8