

[54] COMBINED ELECTRICAL SOCKET AND RETAINER FOR FOUR PIN U-SHAPED FLUORESCENT LAMP

[75] Inventors: George E. Johnson, Bronxville; Walter Newman, Bayside, both of N.Y.

[73] Assignee: Leviton Manufacturing Company, Inc., Little Neck, N.Y.

[**] Term: 14 Years

[21] Appl. No.: 777,884

[22] Filed: Sep. 23, 1985

[52] U.S. Cl. D13/25

[58] Field of Search 313/318; D13/24, 25; 439/226-245, 366, 611, 612, 617, 753

[56] References Cited
U.S. PATENT DOCUMENTS

D. 134,732	1/1943	Curtis	D13/25
2,281,113	4/1942	Sanford	439/232
3,017,598	1/1962	Low	439/366
3,851,294	5/1973	Geier	439/232

Primary Examiner—Susan J. Lucas
Attorney, Agent, or Firm—Paul J. Sutton

[57] CLAIM

The ornamental design for a combined electrical socket and retainer for four pin U-shaped fluorescent lamp, as shown and described.

DESCRIPTION

FIG. 1 is a top, front, and right side perspective view of a combined electric socket and retainer for four pin U-shaped fluorescent lamp showing our new design; FIG. 2 is a front elevational view thereof; FIG. 3 is a top plan view thereof; FIG. 4 is a rear elevational view thereof; FIG. 5 is a left side elevational view thereof; and FIG. 6 is a bottom plan view thereof.

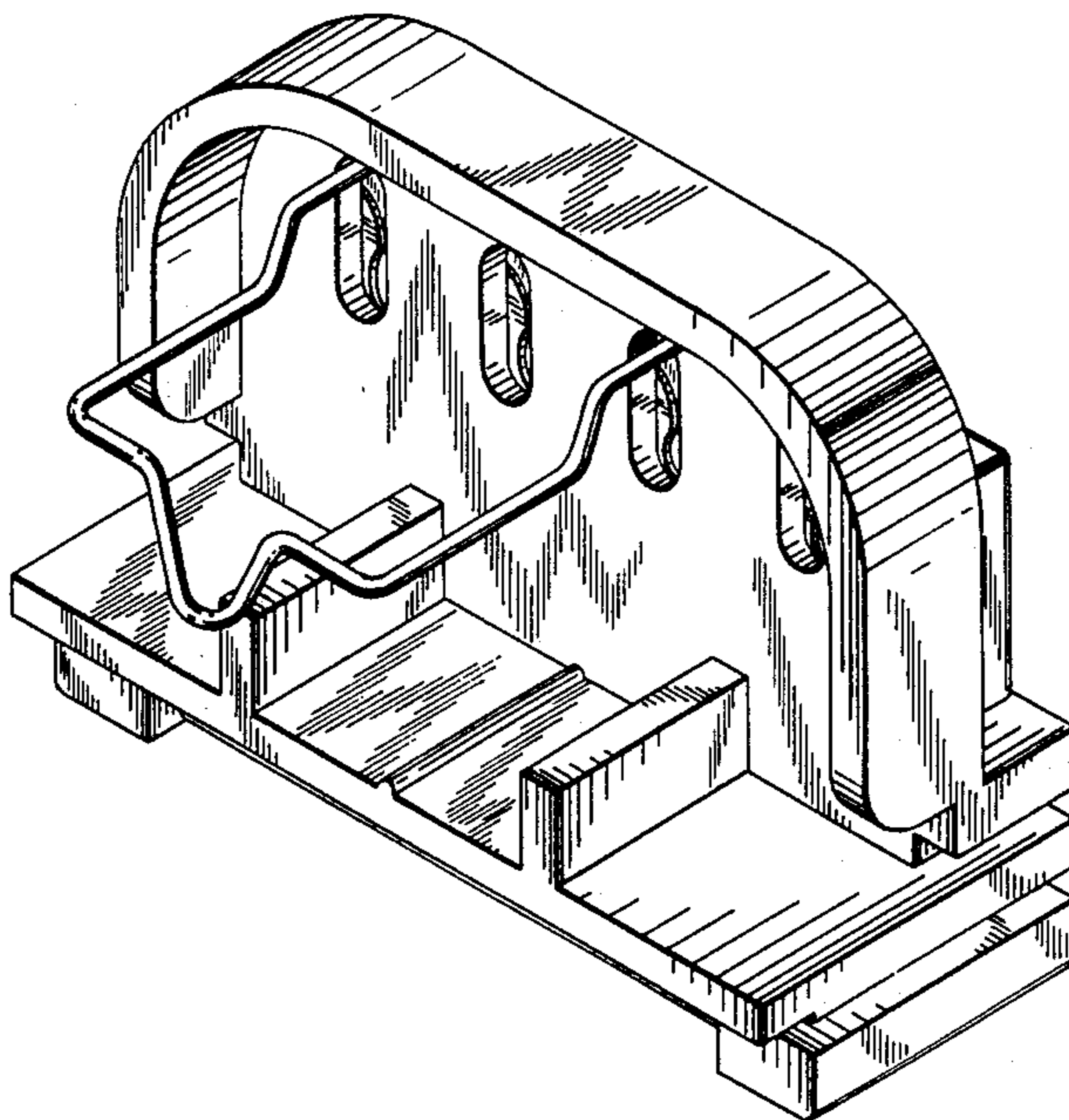


FIG. 1

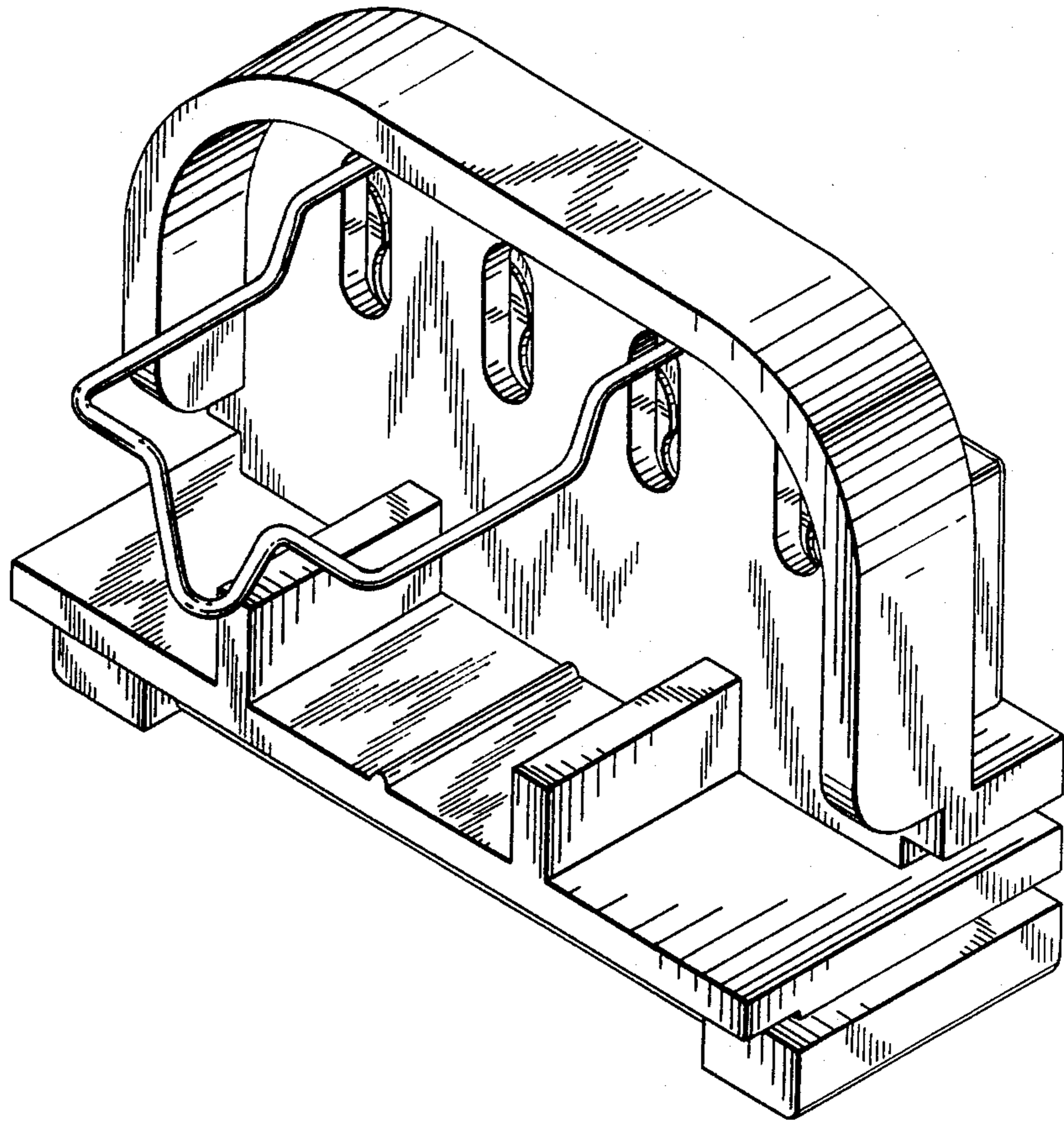


FIG. 2

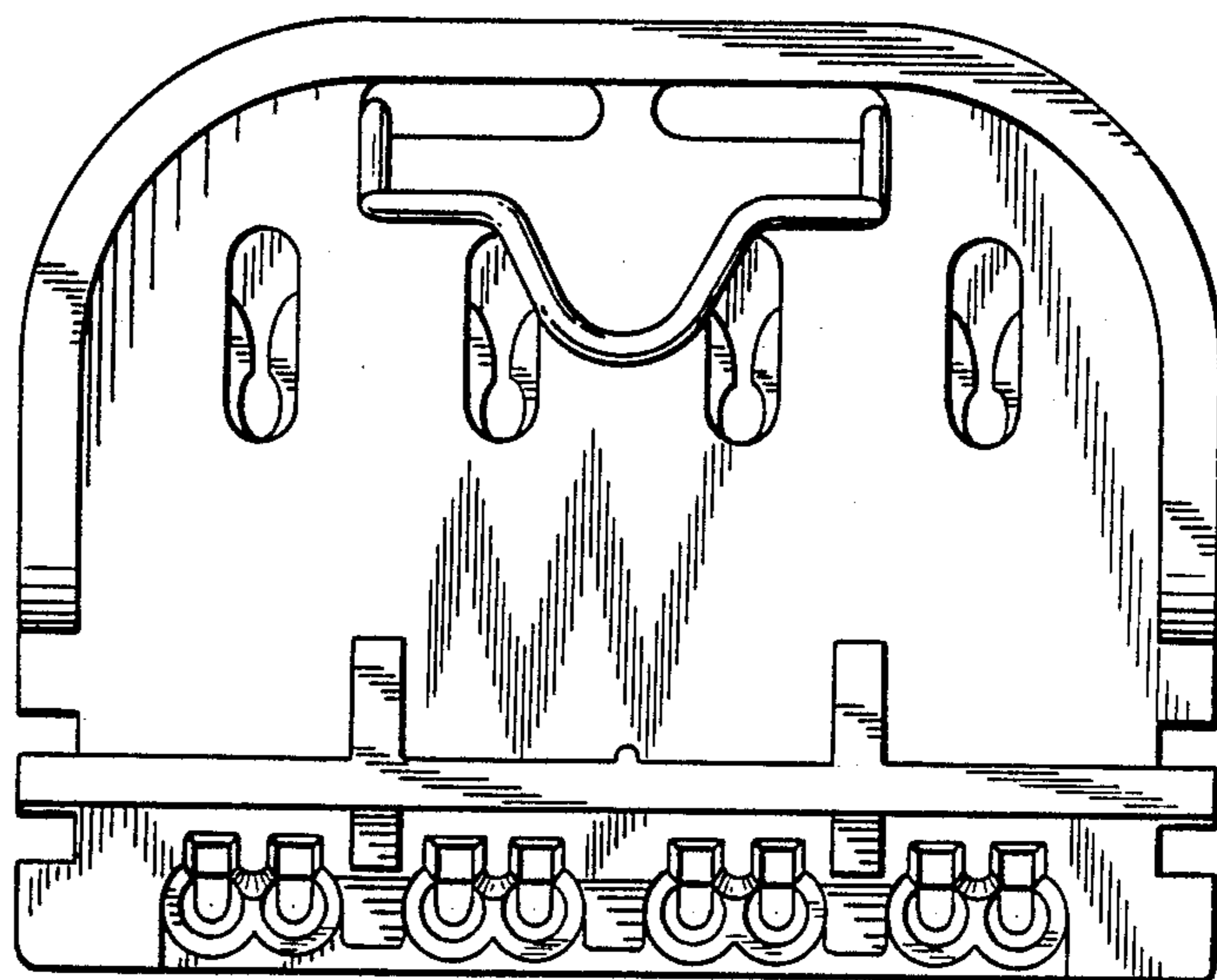


FIG. 3

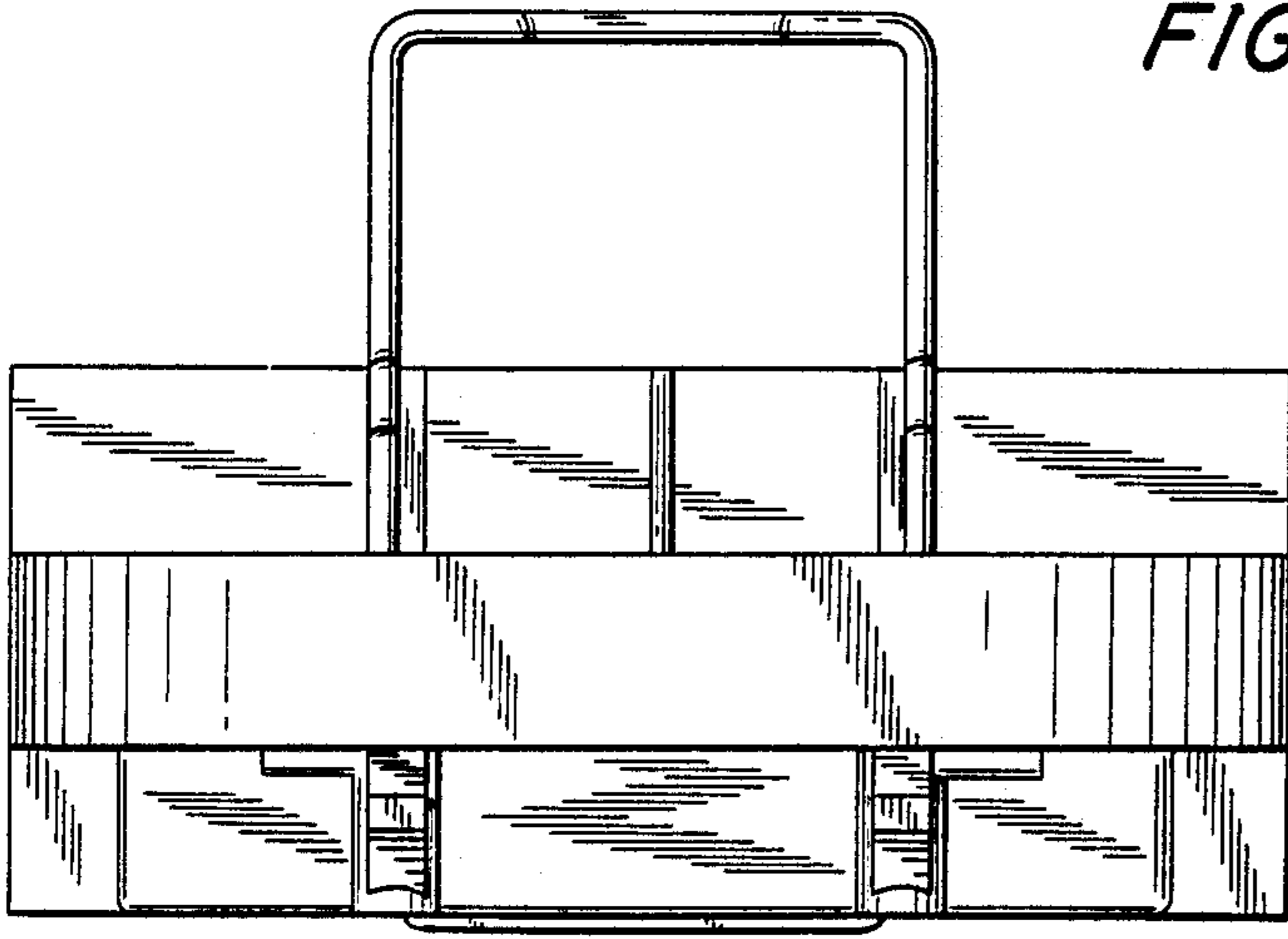


FIG. 4

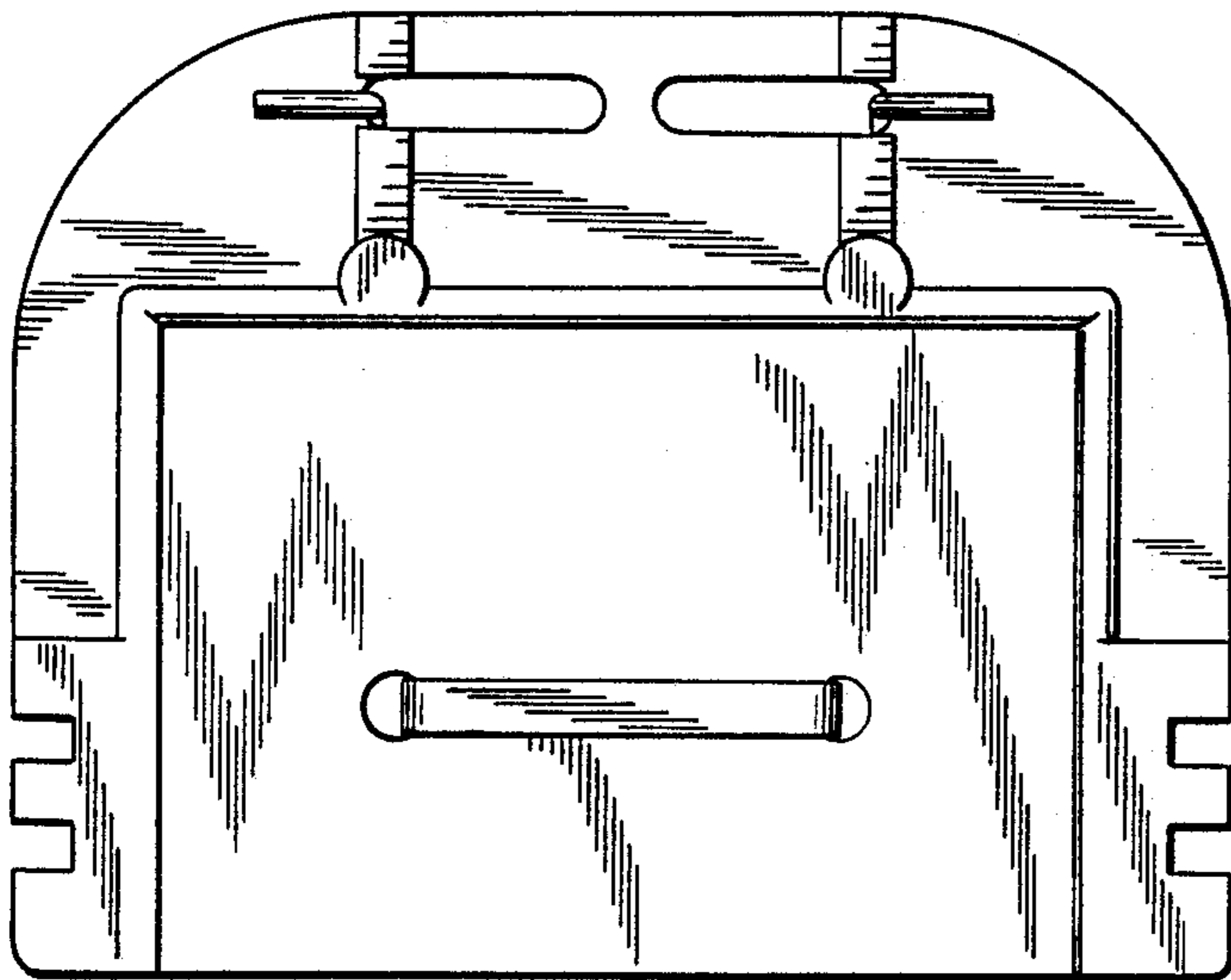
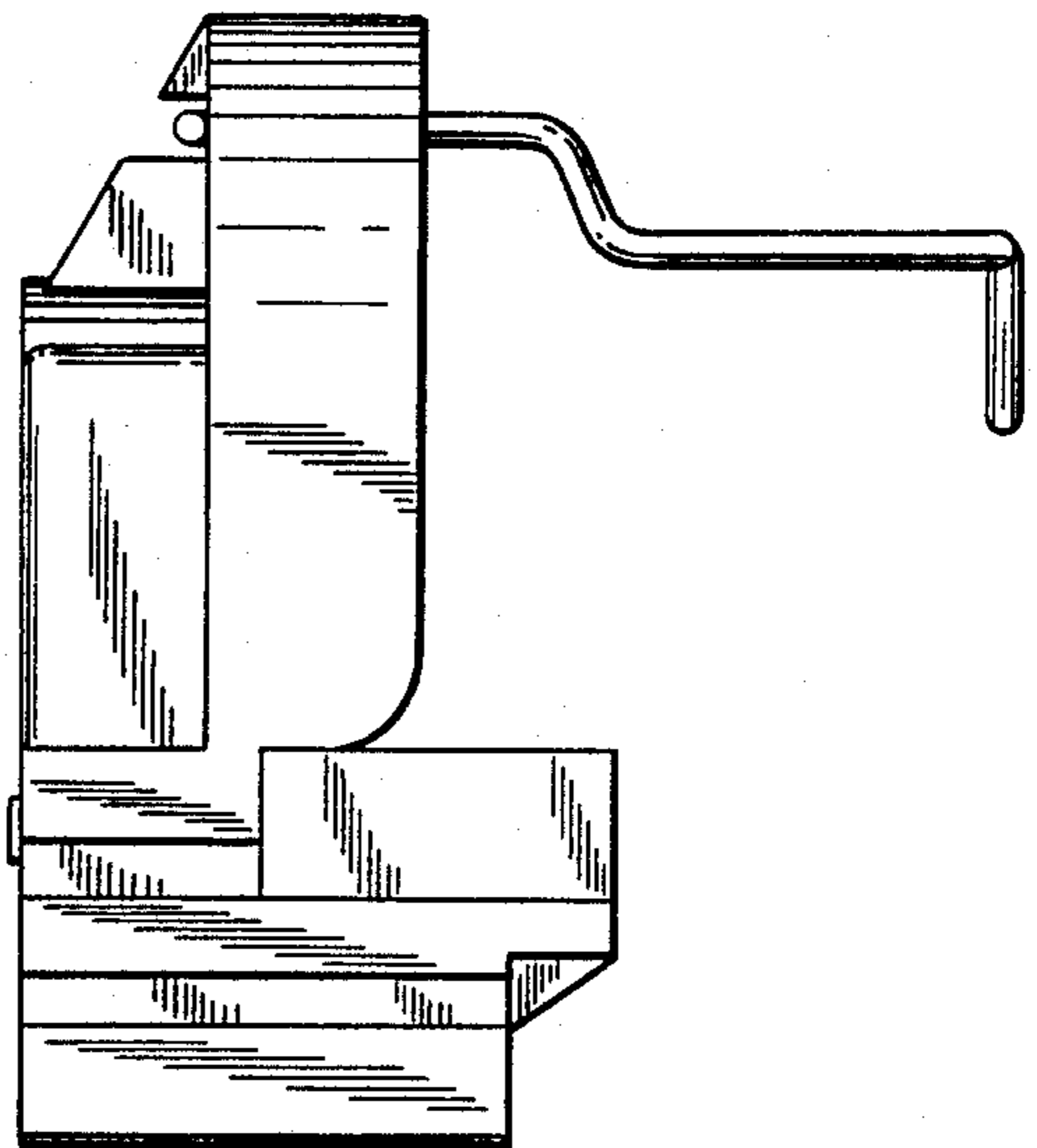


FIG. 5

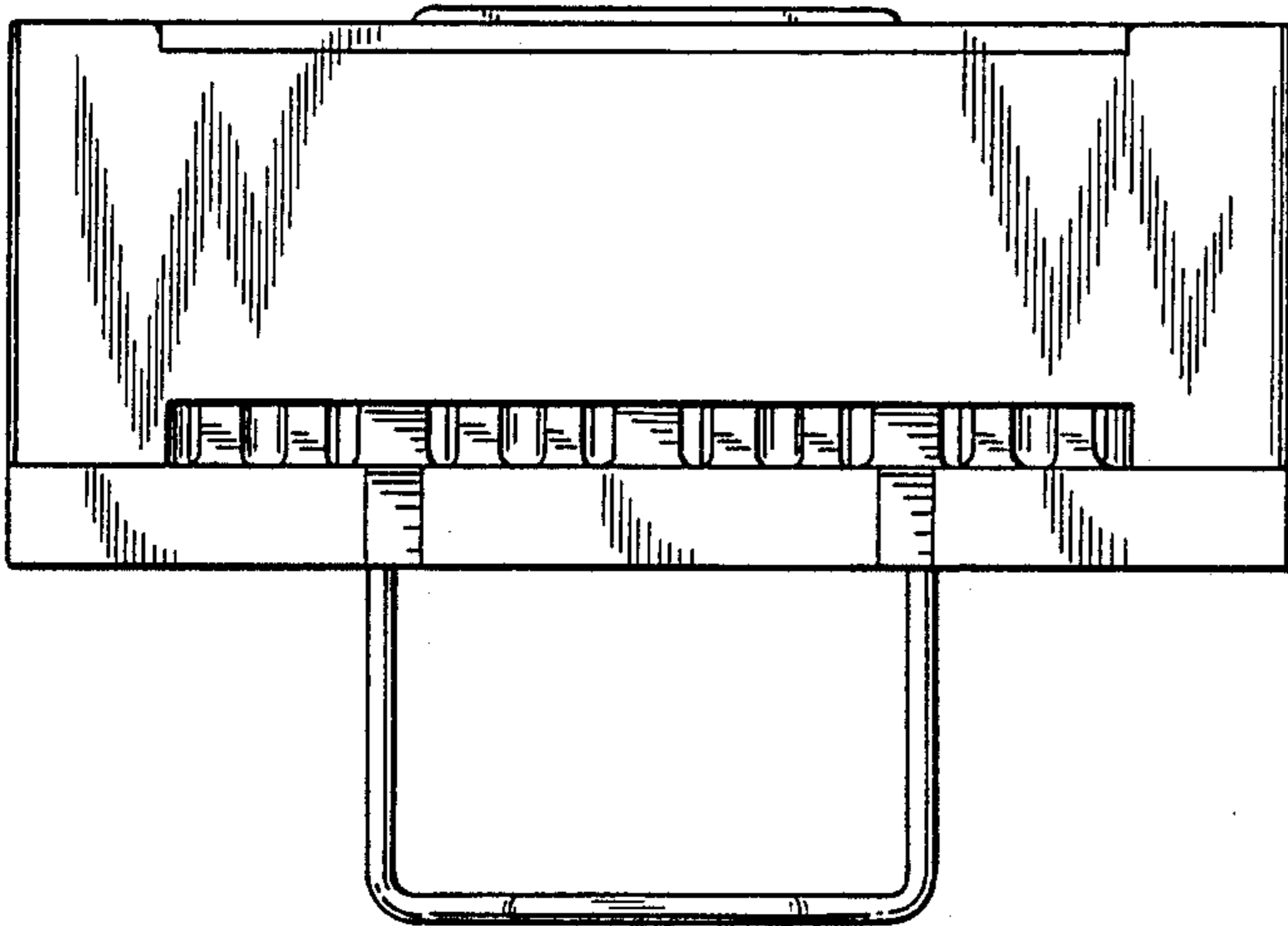


FIG. 6