

[54] COLLAPSIBLE GRAPNEL ANCHOR

[76] Inventor: Carl Merrie, 120 Dinsdale Road, Hamilton, New Zealand

[**] Term: 14 Years

[21] Appl. No.: 740,209

[22] Filed: Jun. 3, 1985

[30] Foreign Application Priority Data

Dec. 4, 1984 [NL] Netherlands 19530

[52] U.S. Cl. D12/215

[58] Field of Search D12/215; 114/294, 298, 114/299, 301, 302, 303

[56] References Cited

U.S. PATENT DOCUMENTS

2,980,050	4/1961	Murray	114/298
3,428,014	2/1969	Smith et al.	114/298
4,108,484	8/1978	Malrott	114/303

FOREIGN PATENT DOCUMENTS

466509	3/1974	Australia	114/294
77875	1/1949	Norway	114/299

OTHER PUBLICATIONS

The Rudder, May 1963, p. 49, Grapnel Anchor (middle).

Boating Equip. Guide, 1983, p. 22, Grappling Hook (bottom left).

Primary Examiner—Wallace R. Burke

Assistant Examiner—Kay H. Chin

Attorney, Agent, or Firm—Abelman Frayne Rezac & Schwab

[57] CLAIM

The ornamental design for a collapsible grapnel anchor, as shown and described.

DESCRIPTION

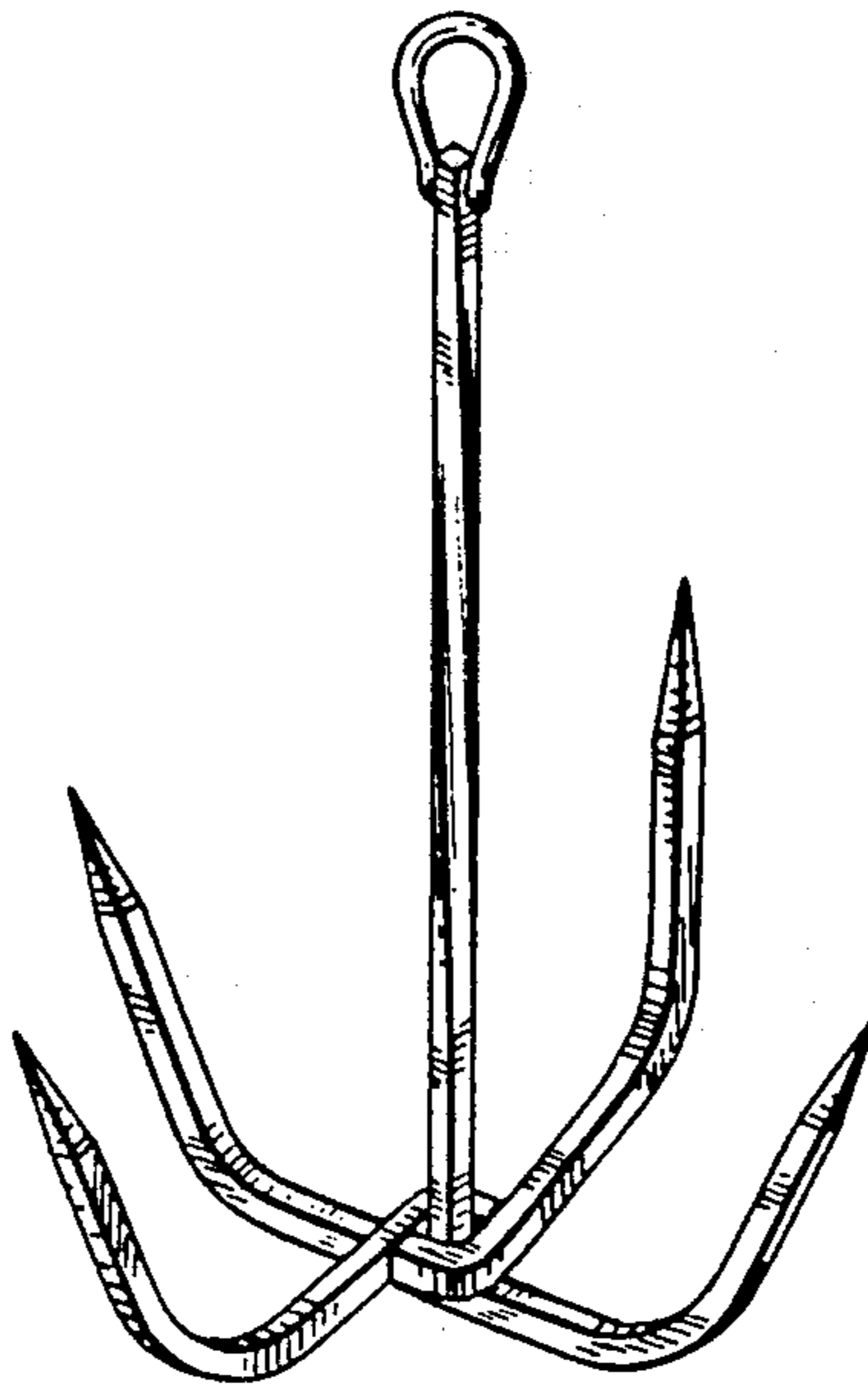
FIG. 1 is a front elevational view of the collapsible grapnel anchor showing my new design, the rear elevational view being a mirror image of that shown;

FIG. 2 is a side elevational view thereof, the opposite side elevational view being a mirror image of that shown;

FIG. 3 is a top plan view thereof;

FIG. 4 is a bottom plan view thereof; and,

FIG. 5 is a top perspective view thereof.



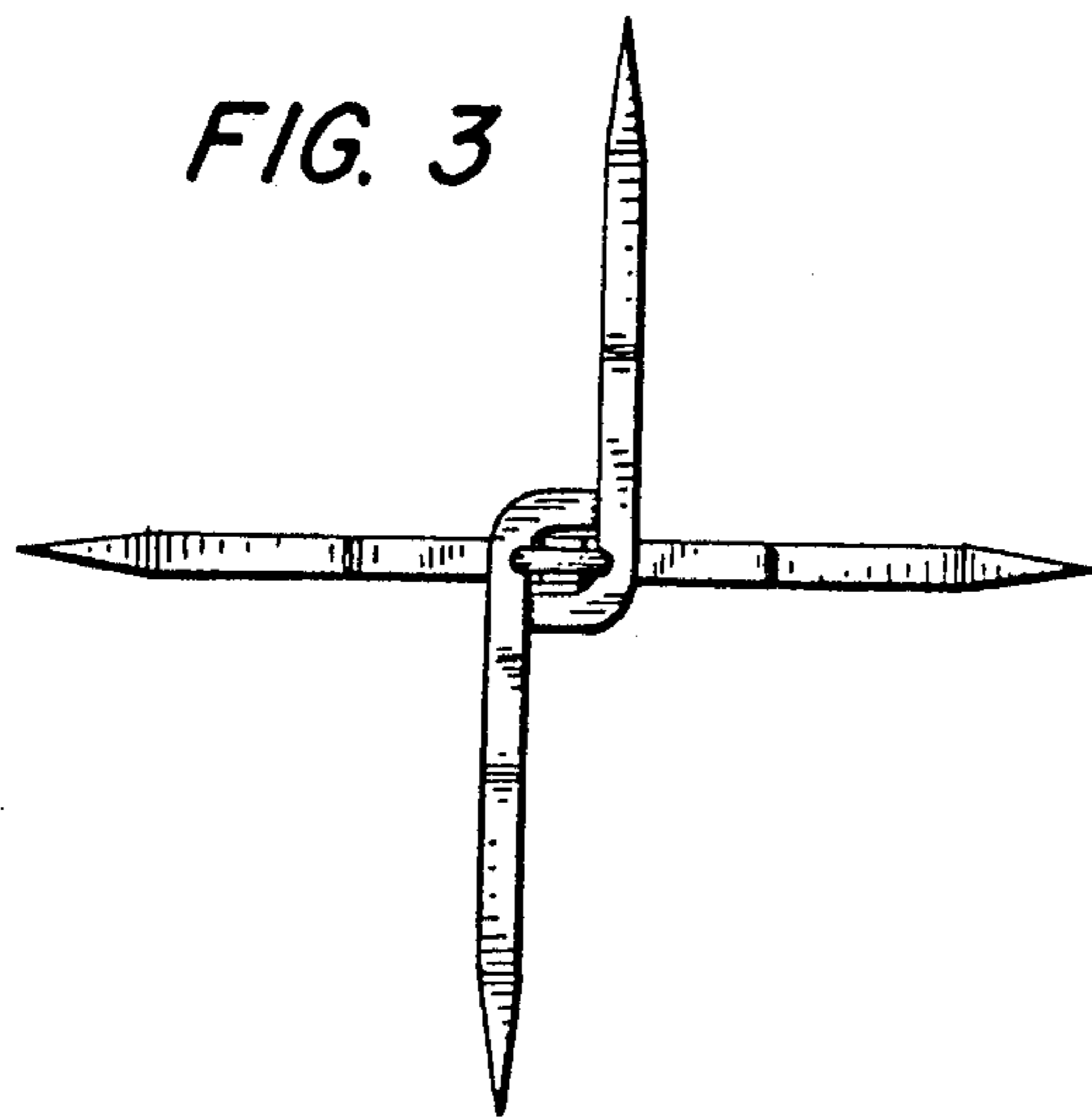
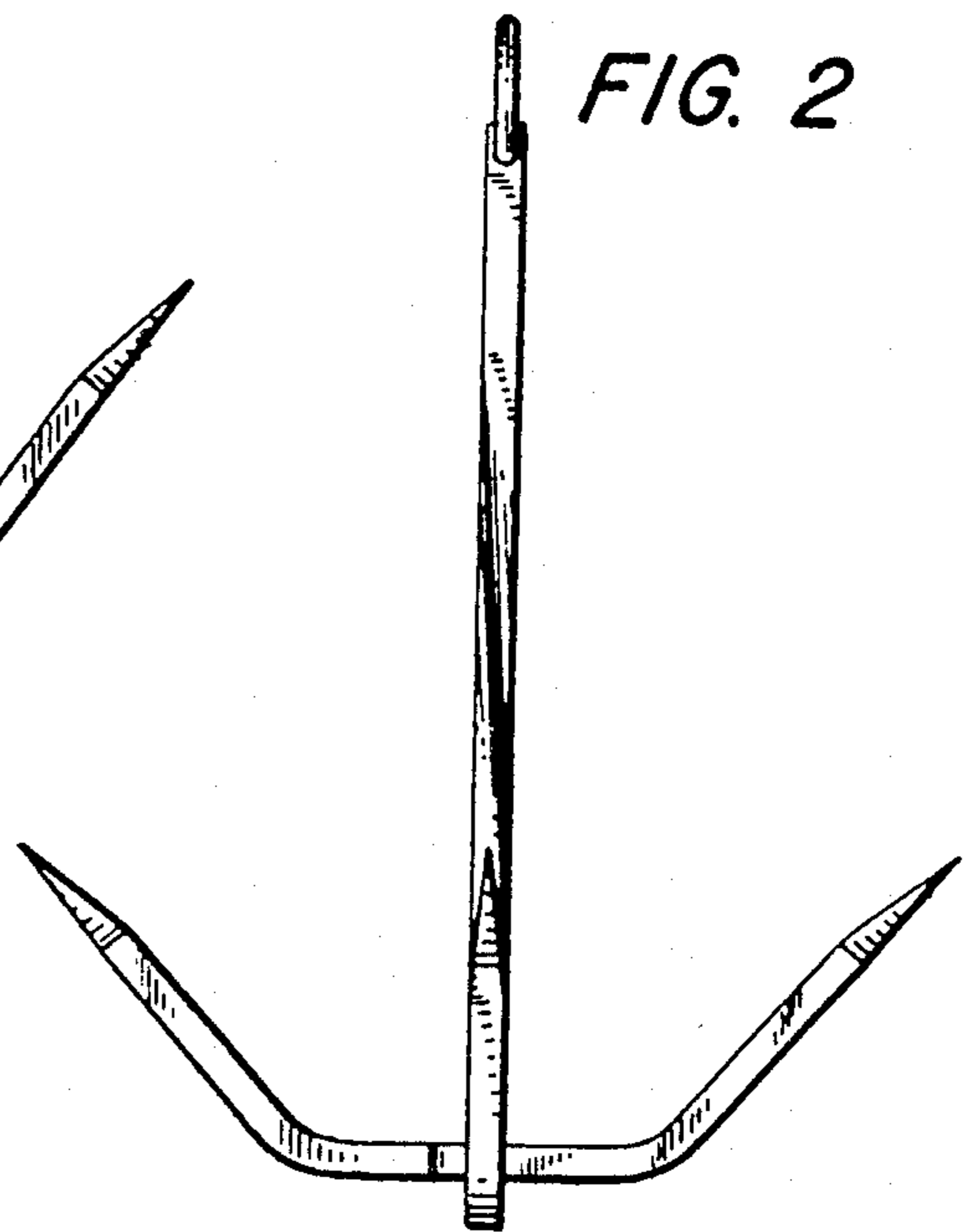
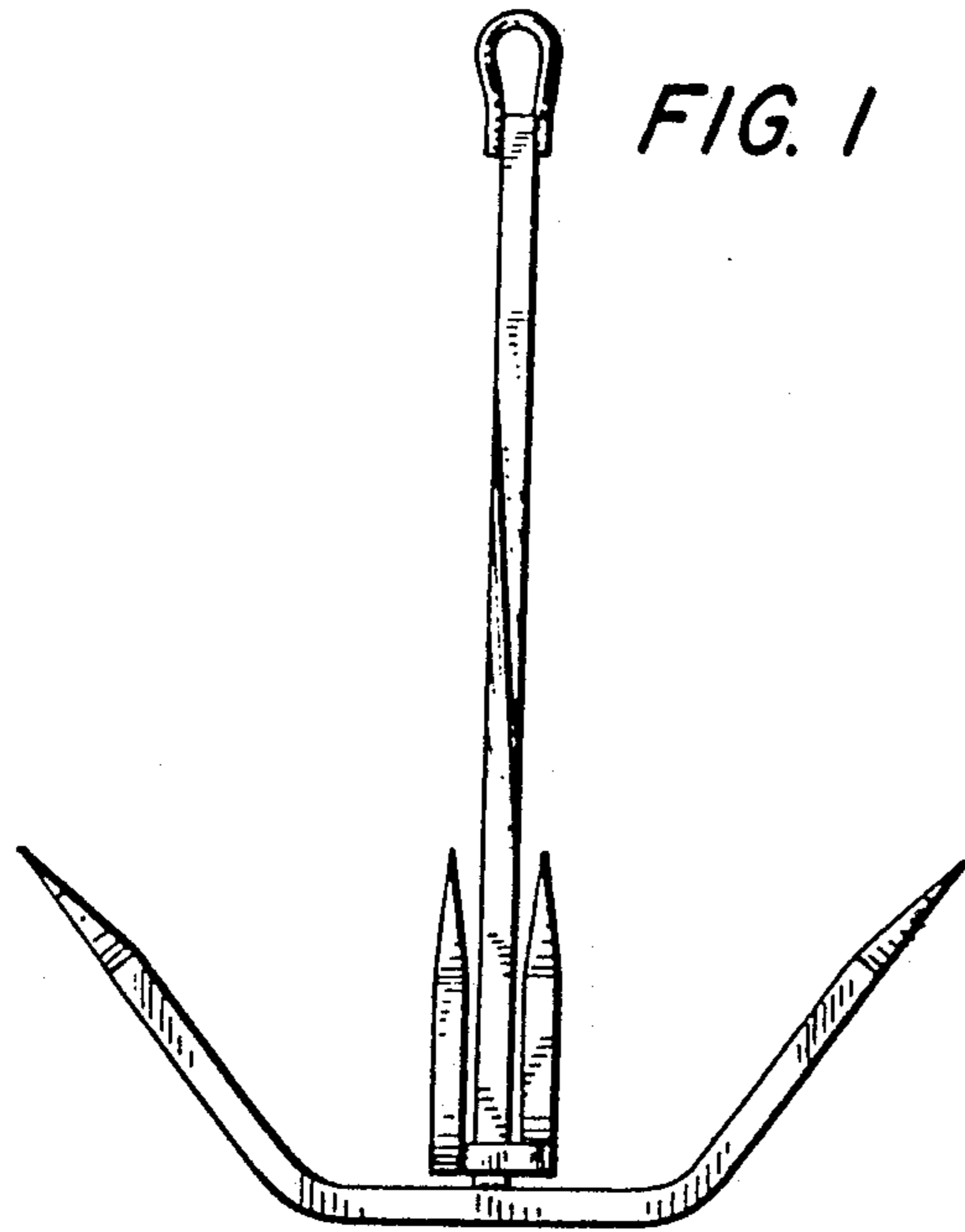


FIG. 4

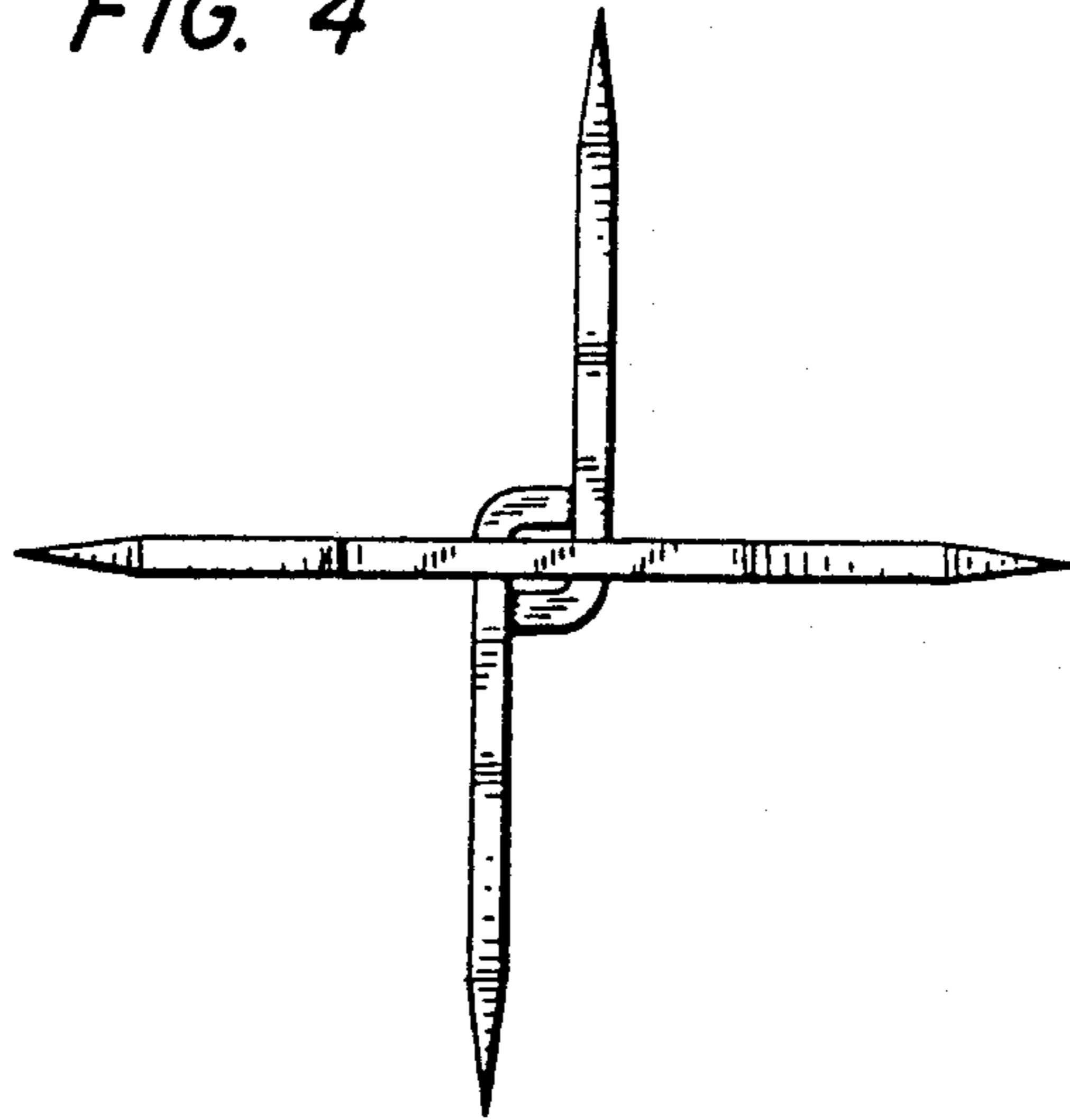


FIG. 5

