

United States Patent [19]

Carlson

[11] Patent Number: **Des. 297,319**

[45] Date of Patent: **** Aug. 23, 1988**

[54] **PLANT POT**

[75] Inventor: **Arthur R. Carlson, Melbourne, Australia**

[73] Assignee: **The Decor Corporation Proprietary Limited, Scoresby, Australia**

[*] Notice: **The portion of the term of this patent subsequent to Jun. 28, 2002 has been disclaimed.**

[**] Term: **14 Years**

[21] Appl. No.: **712,867**

[22] Filed: **Mar. 18, 1985**

[52] U.S. Cl. **D11/152; D11/143; D11/164**

[58] Field of Search **D11/143, 152, 153, 164; 47/66, 79**

[56] **References Cited**

U.S. PATENT DOCUMENTS

D. 254,194 2/1980 Smith D11/152

D. 255,555 6/1980 Smith D11/152
D. 257,529 11/1980 Raap D11/164
D. 278,989 5/1985 Baumann D11/143
4,236,351 12/1980 Smith 47/79

FOREIGN PATENT DOCUMENTS

0021961 1/1981 European Pat. Off. 47/79

OTHER PUBLICATIONS

Modern Plastics; 9/1960; p. 254; Planter (upper left).

Primary Examiner—B. J. Bullock

Attorney, Agent, or Firm—Trexler, Bushnell, Giangiorgi & Blackstone, Ltd.

[57] **CLAIM**

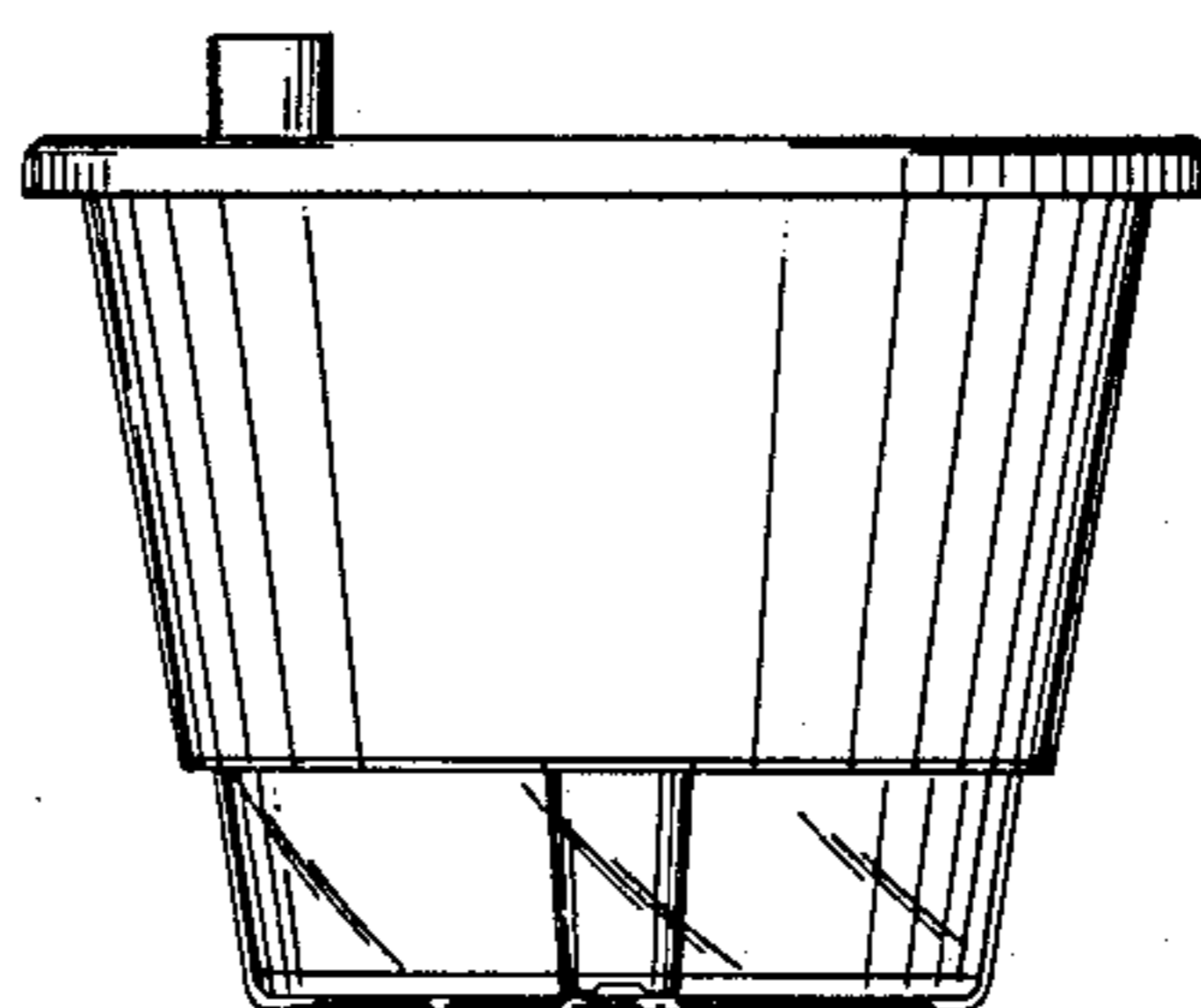
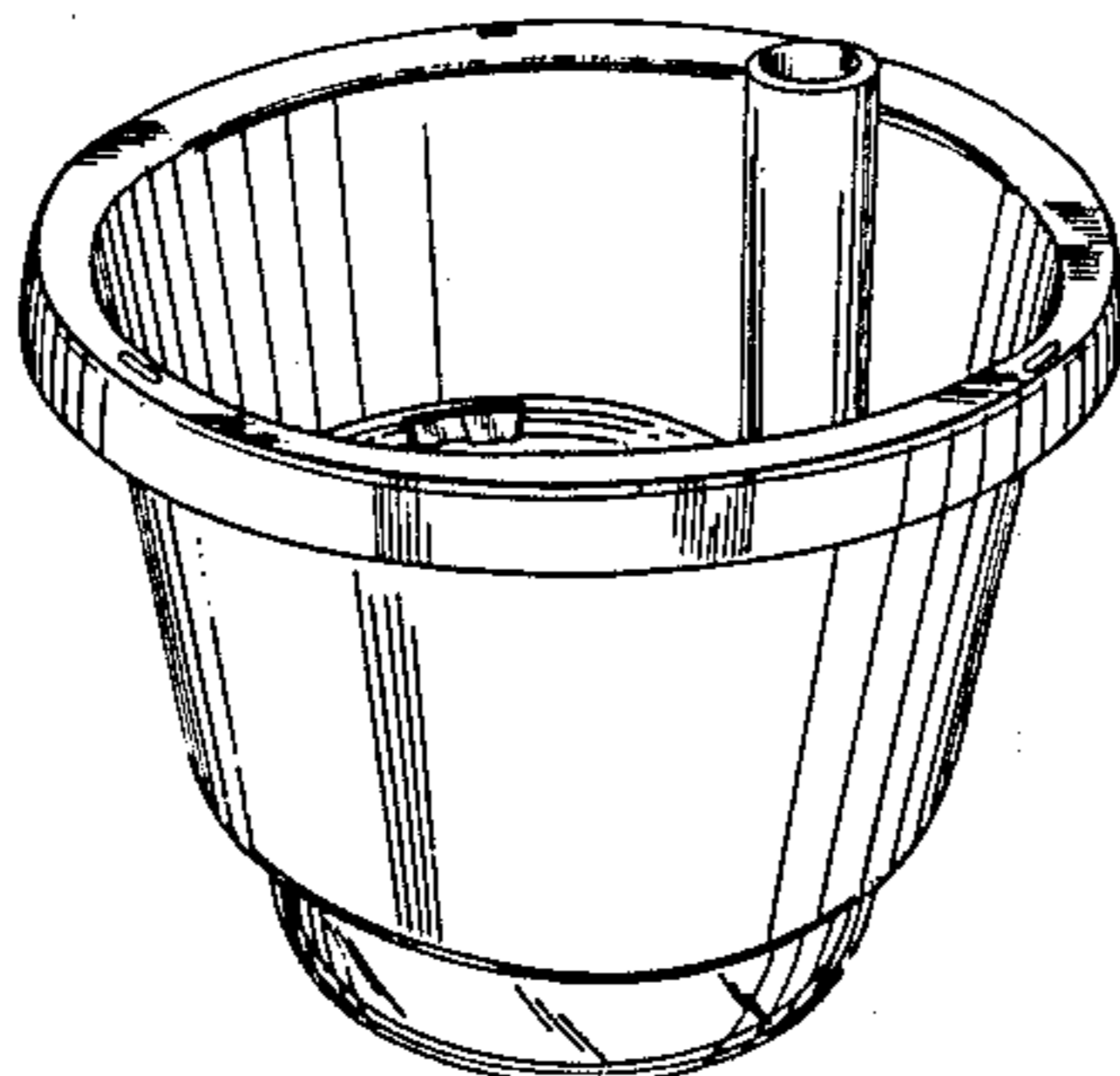
The ornamental design for a plant pot, as shown.

DESCRIPTION

FIG. 1 is a perspective view of a plant pot showing my new design;

FIG. 2 is a reduced side elevational view thereof;

FIG. 3 is a reduced top plan view, thereof, the bottom being unornamented.



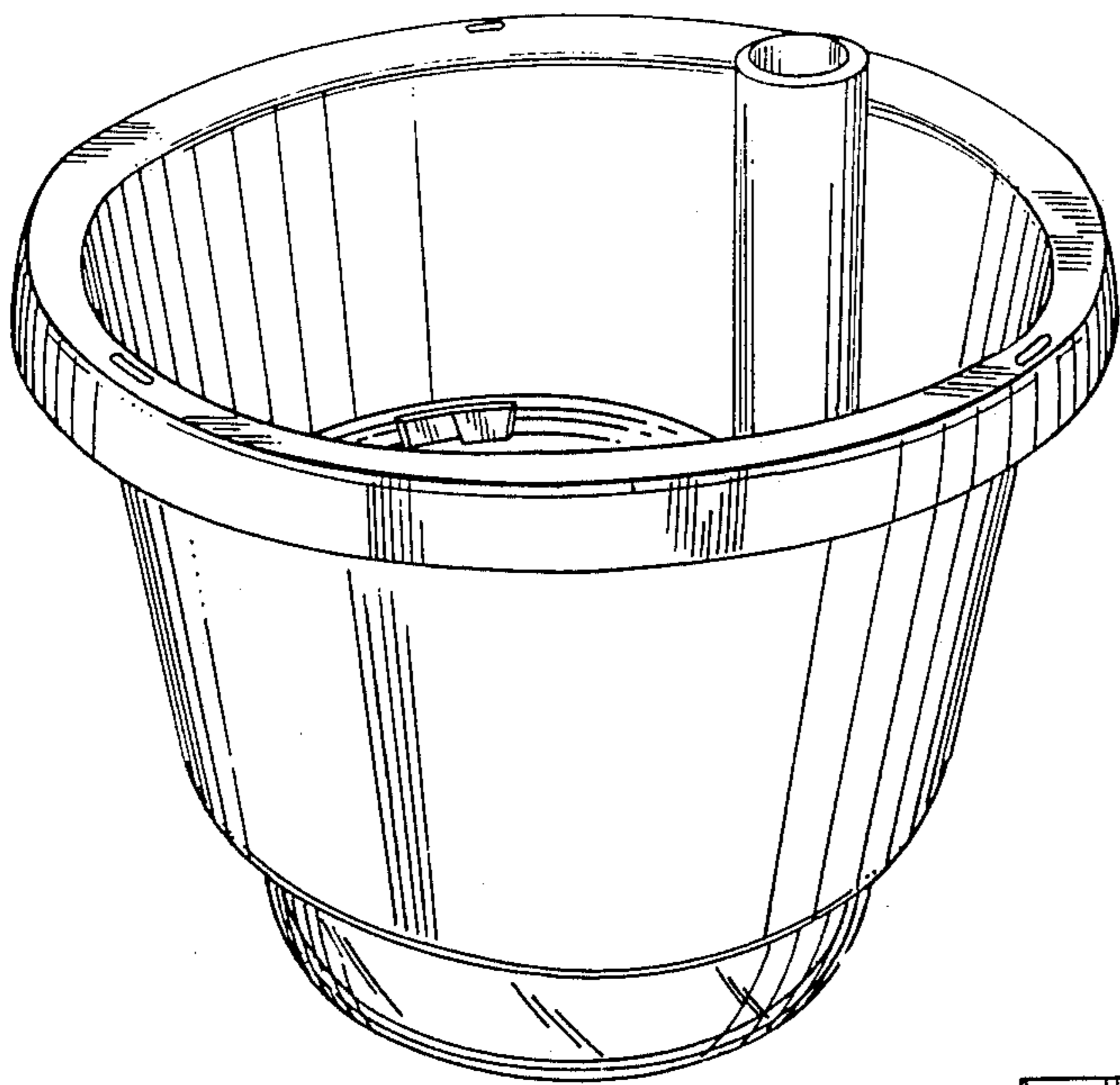


FIG. 1

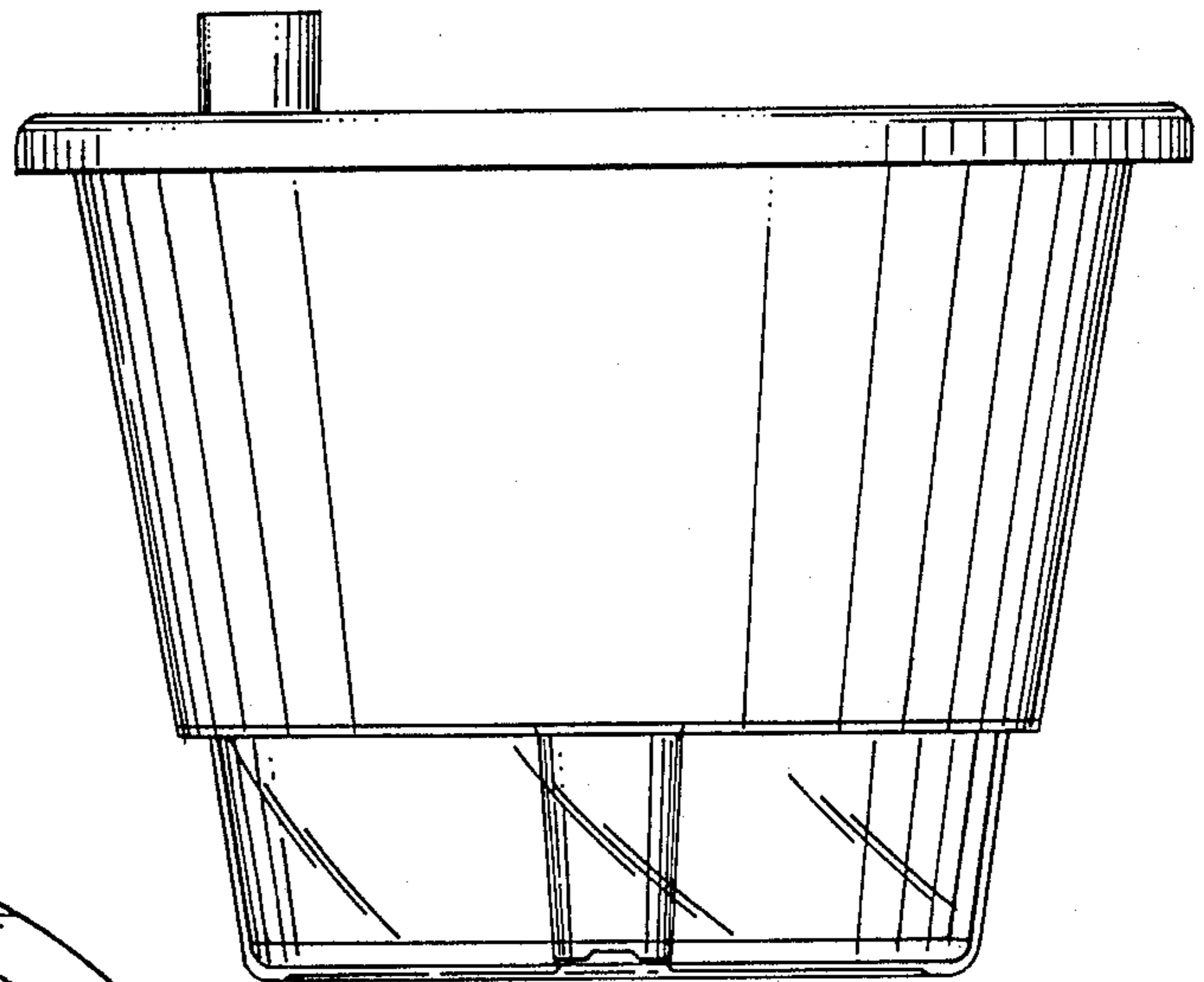


FIG. 2

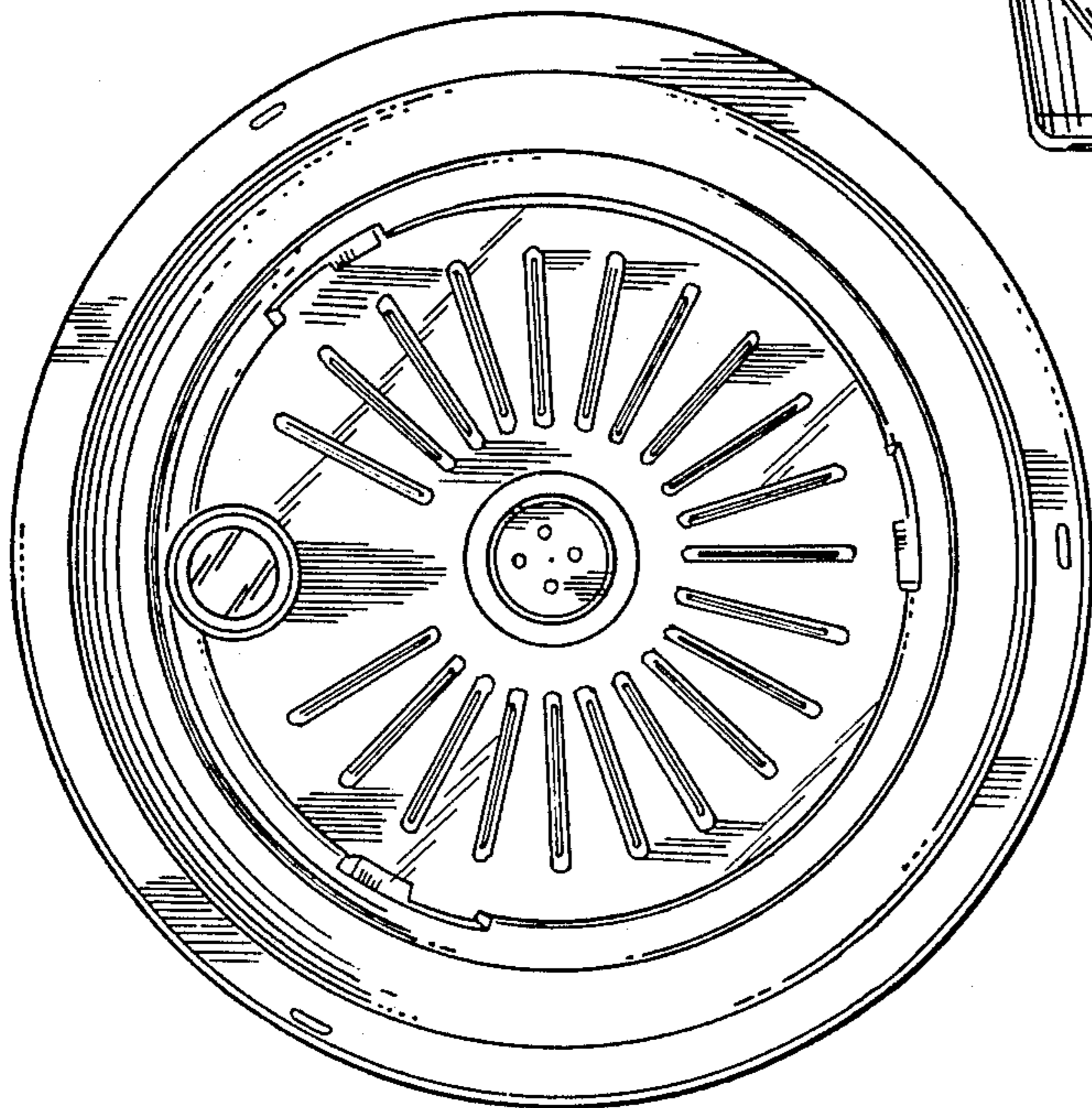


FIG. 3