

[54] **GAS DETECTOR**

[75] **Inventor:** Stephen C. Taylor, Etobicoke, Canada

[73] **Assignee:** Dicon Systems Limited, Toronto, Canada

[**] **Term:** 14 Years

[21] **Appl. No.:** 893,718

[22] **Filed:** Aug. 6, 1986

[52] **U.S. Cl.** D10/106; D29/6

[58] **Field of Search** D10/104, 106, 121, 120;
340/632, 633, 634, 628, 629, 630; D23/354, 385,
388

[56] **References Cited**

U.S. PATENT DOCUMENTS

D. 248,283 6/1978 Kitts et al. D10/106
4,326,200 4/1982 Bushman 340/632

OTHER PUBLICATIONS

Unico brochure, "Carbon Monoxide Alarm Model 777".

Popular Science, Oct. 1980, p. 80, Gas Snifers, Electronics Sentinels Model "A".

Primary Examiner—Wallace R. Burke

Assistant Examiner—Kay H. Chin

Attorney, Agent, or Firm—Sim & McBurney

[57] **CLAIM**

The ornamental design for a gas detector, as shown and described.

DESCRIPTION

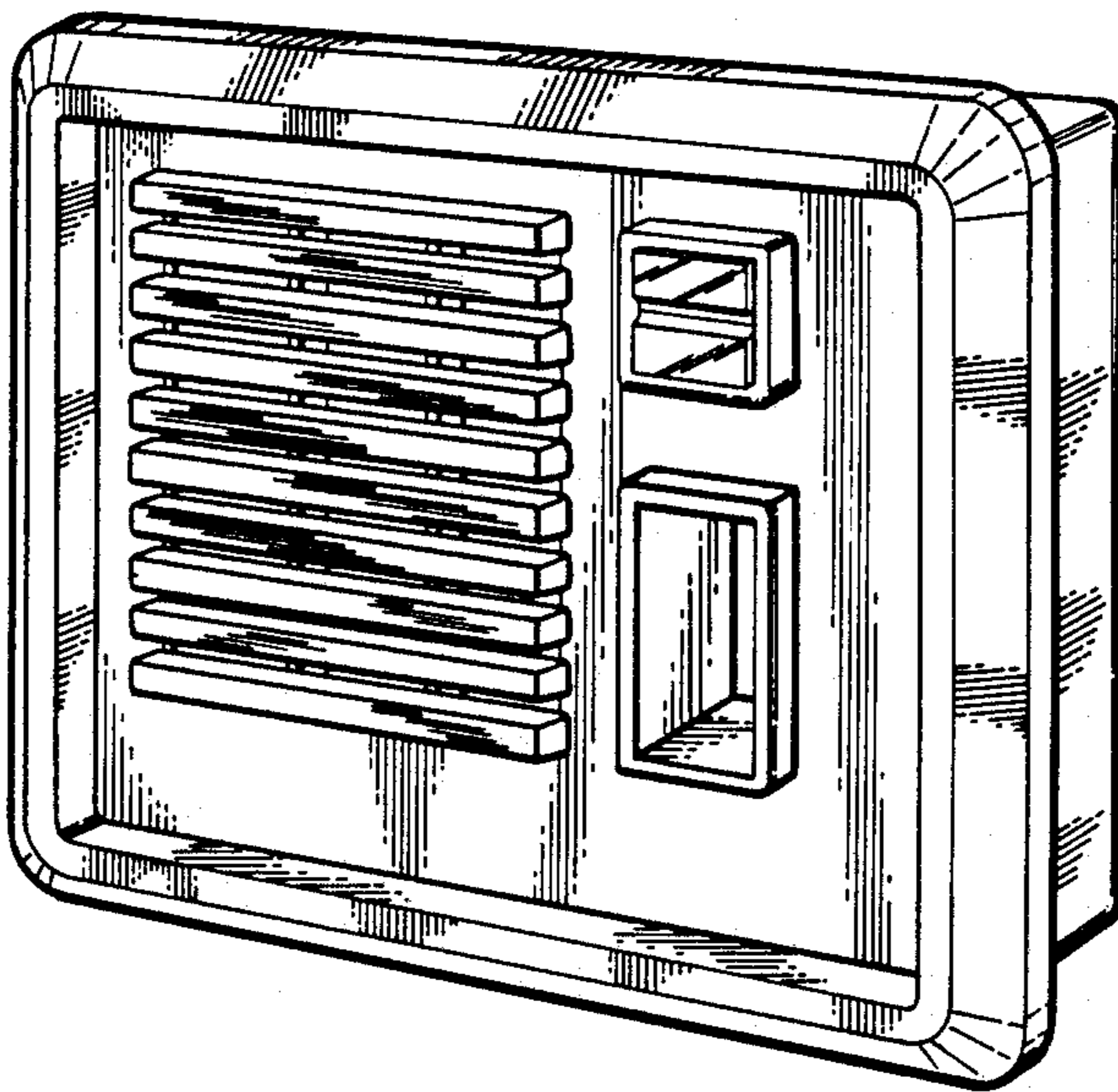
FIG. 1 is a front perspective view of a gas detector showing my new design;

FIG. 2 is a front plan view thereof;

FIG. 3 is a rear plan view thereof;

FIG. 4 is a side elevational view thereof, the opposite side being a mirror image of that shown; and,

FIG. 5 is an elevational view thereof, as seen from the right of FIG. 4, the opposite side being a mirror image of that shown.



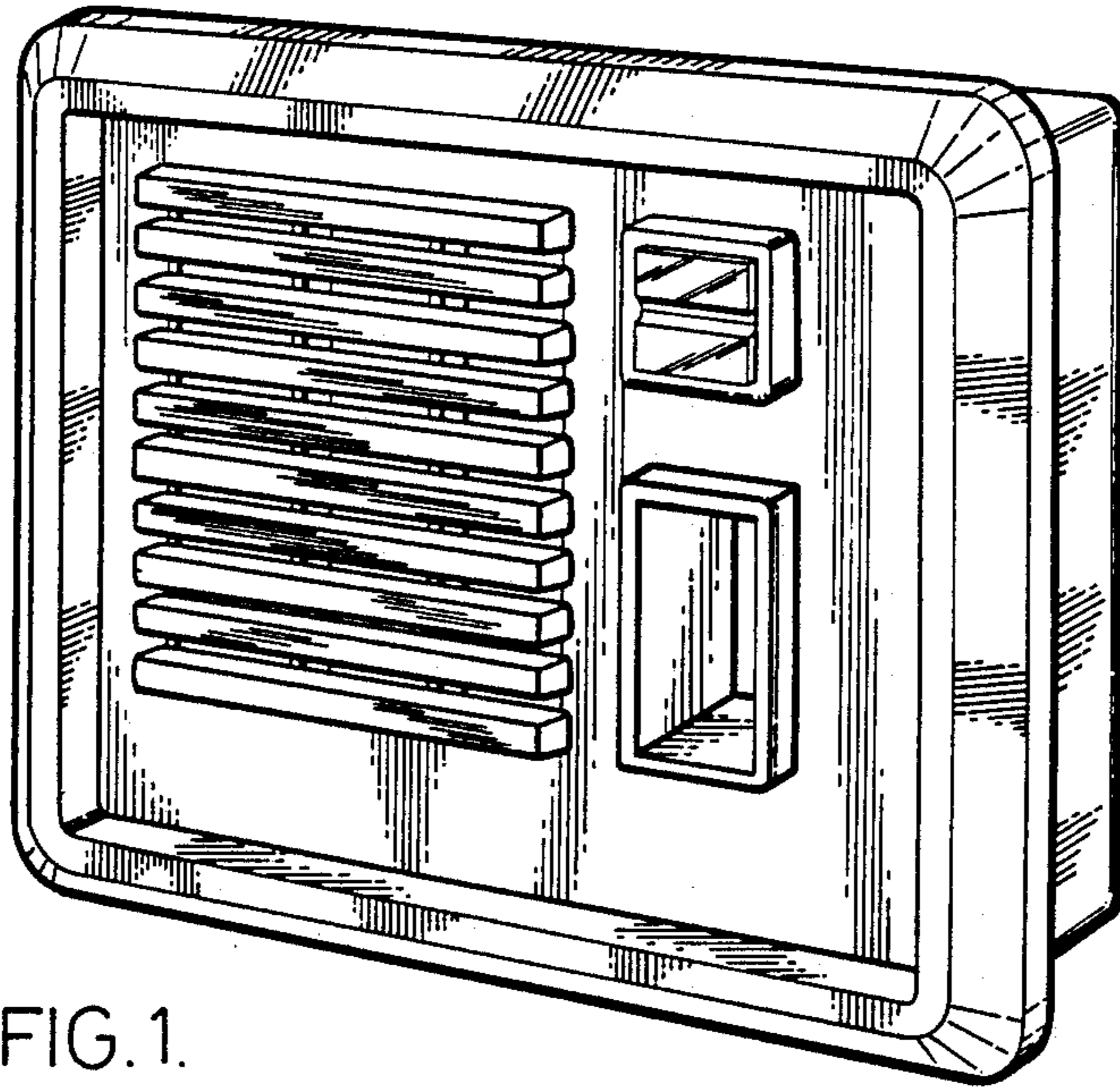
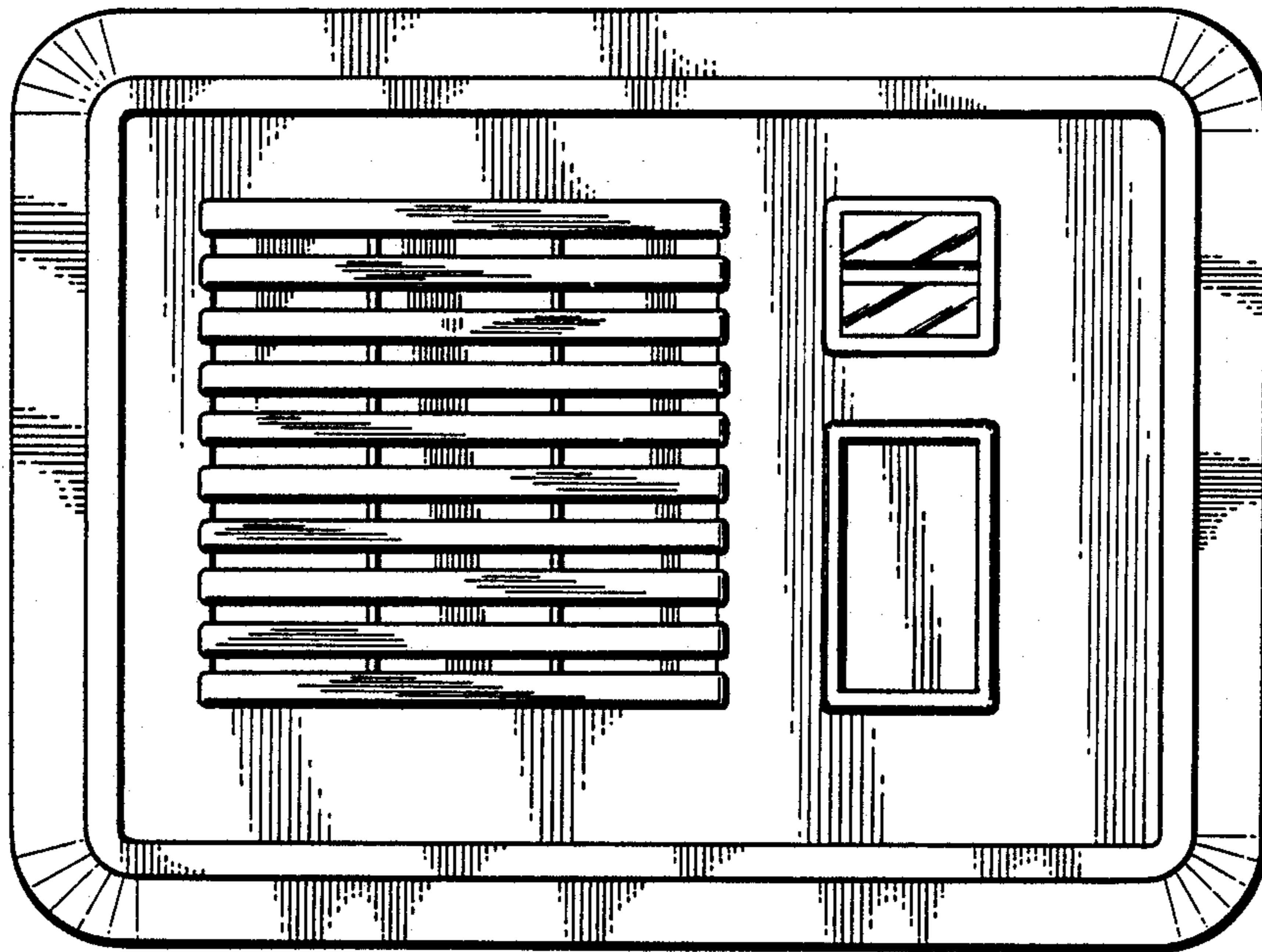


FIG. 1.

FIG. 2.



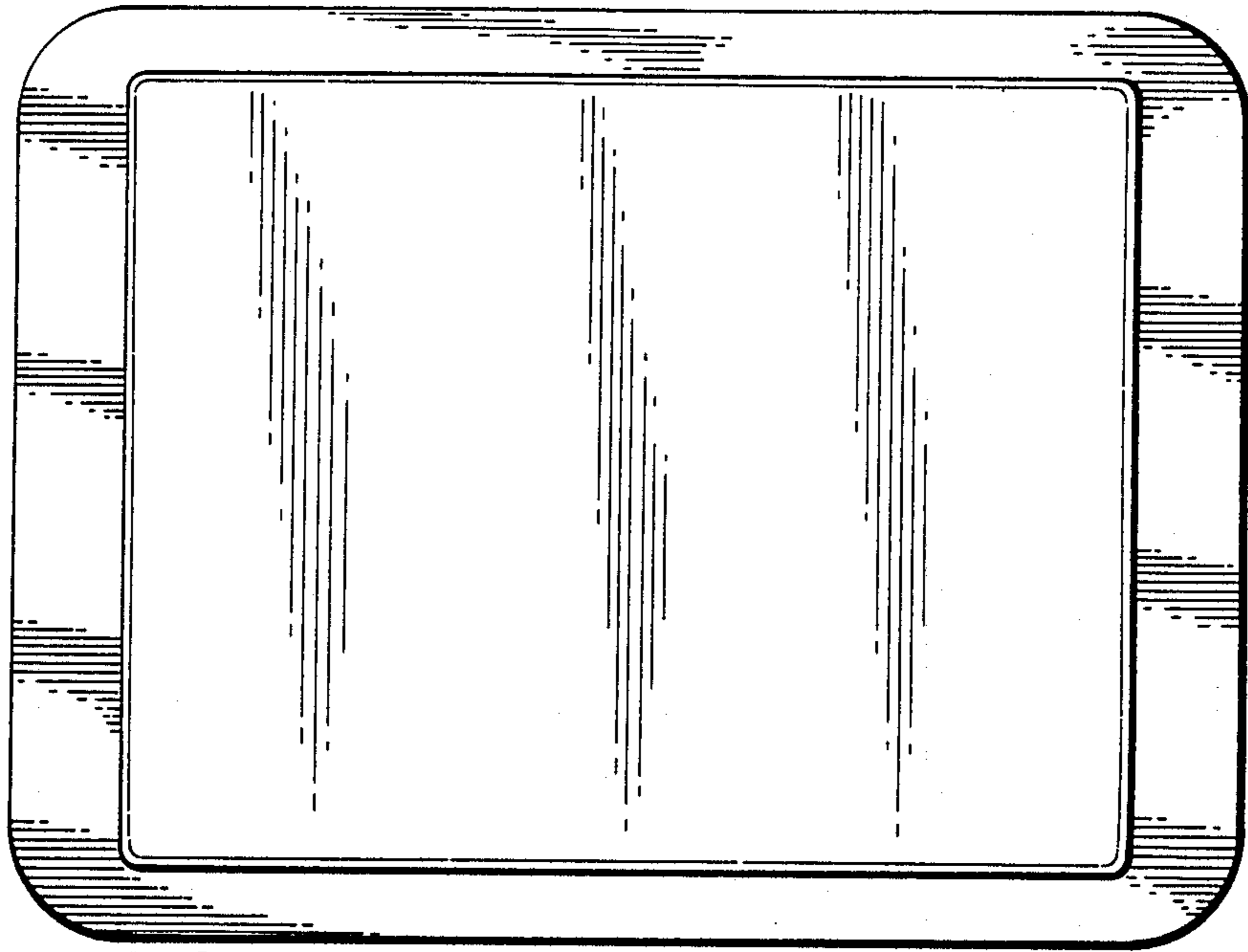


FIG. 3.

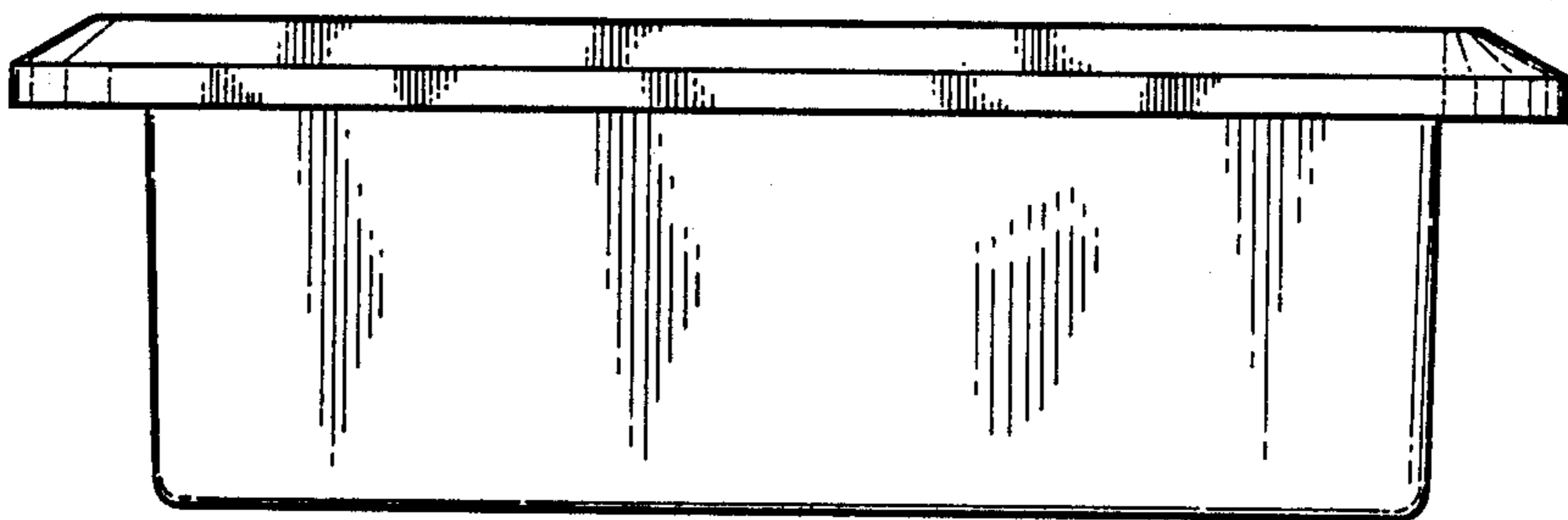


FIG. 4.

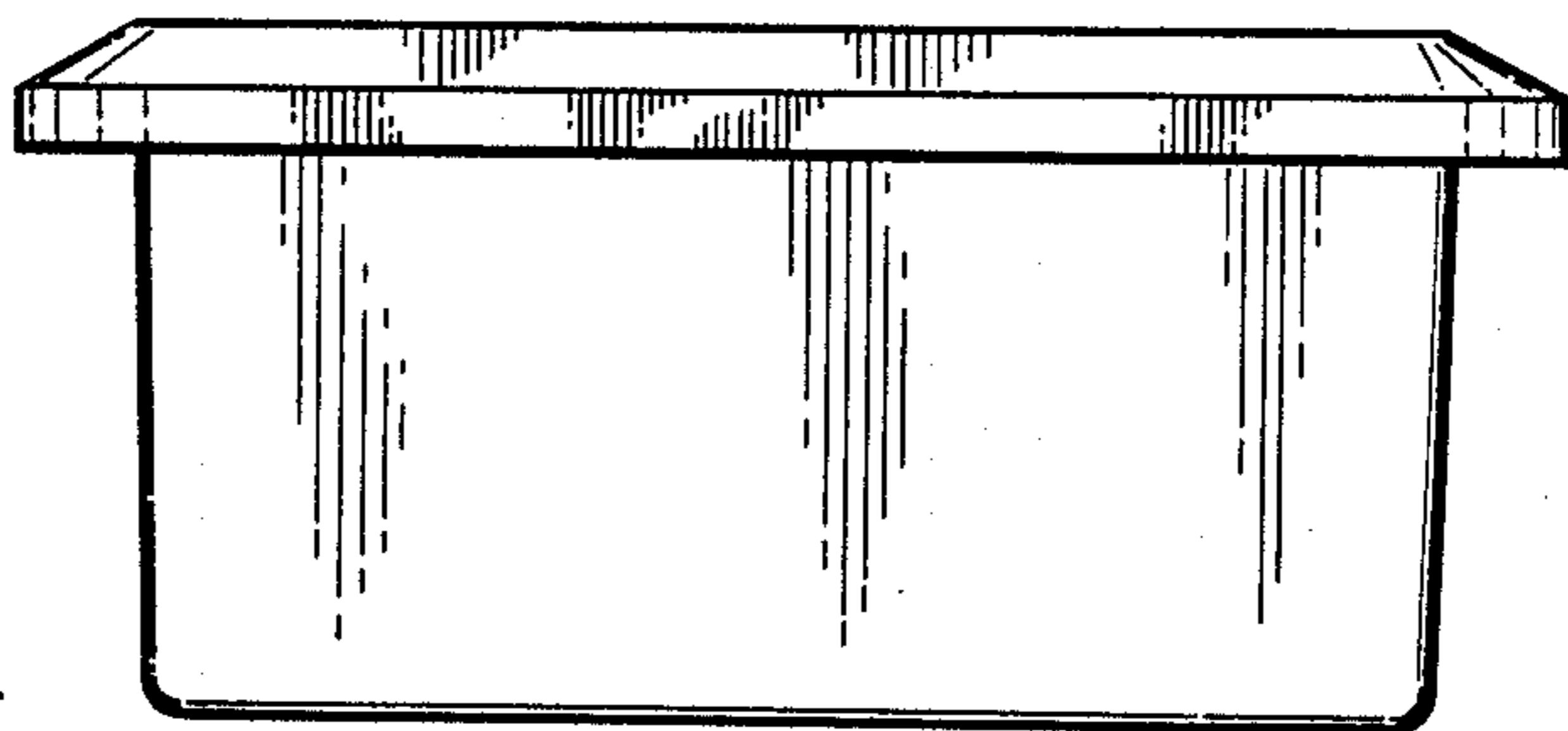


FIG. 5.