

[54] SMOKE DETECTOR

4,306,229 12/1981 Tamura et al. .... 340/629

[75] Inventor: Louis L. Mastro, Milford, Mich.

[73] Assignee: Square D Company, Palatine, Ill.

[\*\*] Term: 14 Years

[21] Appl. No.: 893,051

[22] Filed: Aug. 1, 1986

[52] U.S. Cl. .... D10/106; D10/116

[58] Field of Search ..... D10/104, 106, 121, 120, D10/116; 340/628, 629, 630, 632, 633, 634

[56] References Cited

U.S. PATENT DOCUMENTS

- D. 238,057 12/1975 Pearsall et al. .... 340/628
- D. 258,353 2/1981 Mango et al. .... D10/106
- D. 271,287 11/1983 Fienne ..... D10/104
- D. 274,368 6/1984 Skarman ..... D10/106

OTHER PUBLICATIONS

Alarm Supply Co., Inc., 1984 catalogue, p. 147, Smoke Detectors, model 1806 BRK & 1812 BRK.

Primary Examiner—Wallace R. Burke

Assistant Examiner—Kay H. Chin

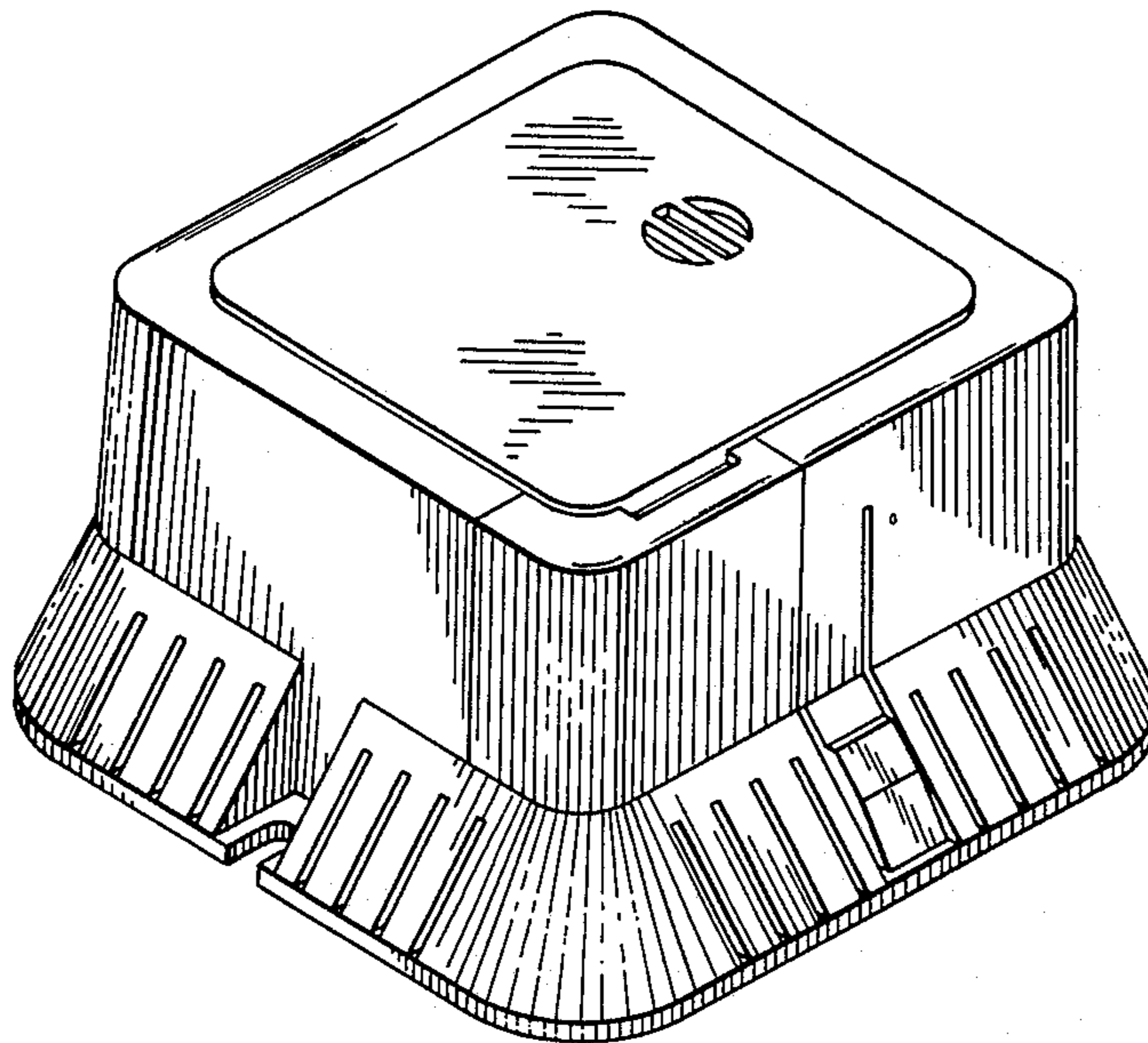
Attorney, Agent, or Firm—A. Sidney Johnston; Richard T. Guttman; Donald P. Reynolds

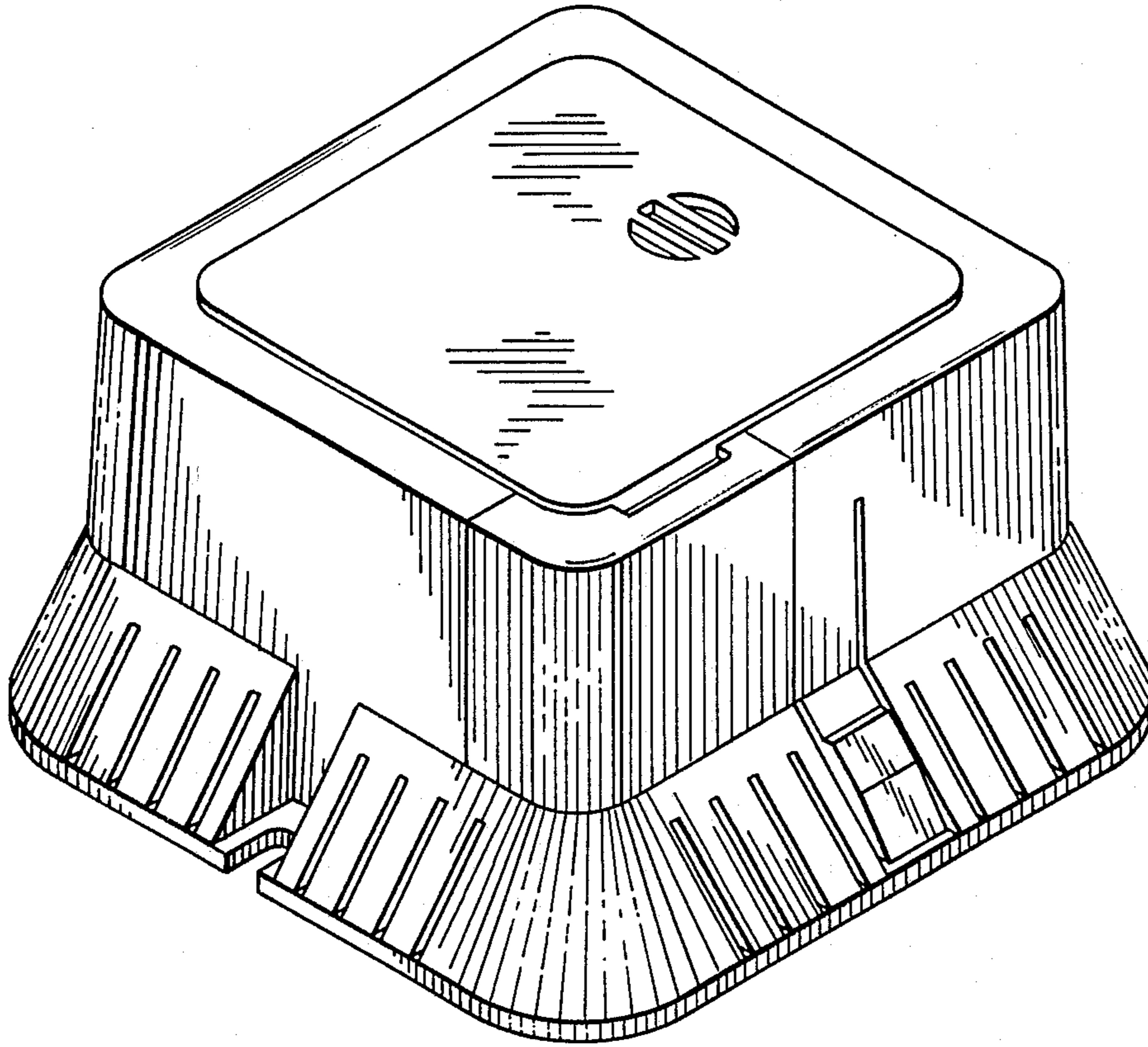
[57] CLAIM

The ornamental design for a smoke detector, as shown and described.

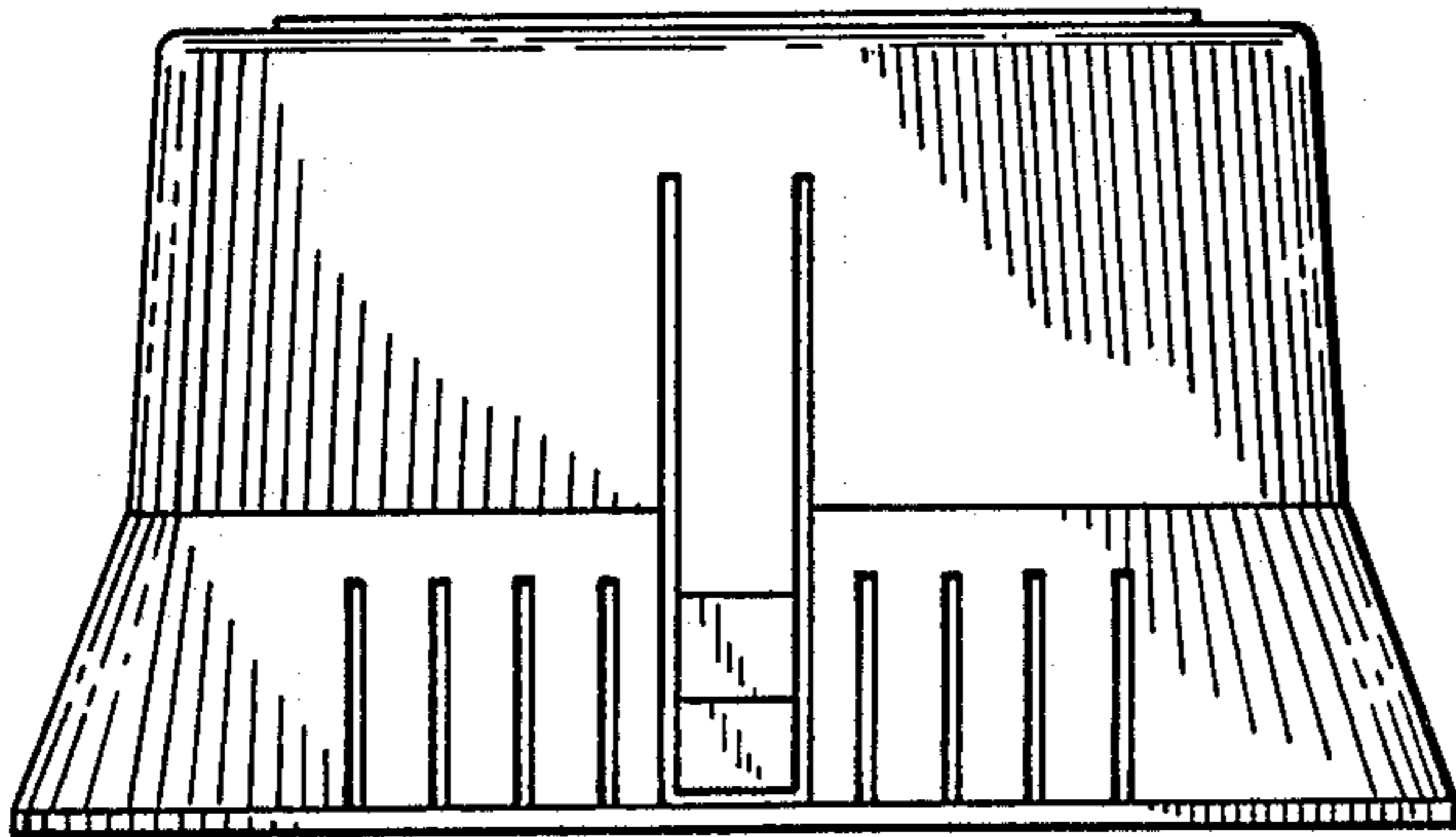
DESCRIPTION

FIG. 1 is a top perspective view of a smoke detector showing my new design;  
 FIG. 2 is a side elevational view thereof;  
 FIG. 3 is a front elevational view thereof; and  
 FIG. 4 is a top plan view thereof.

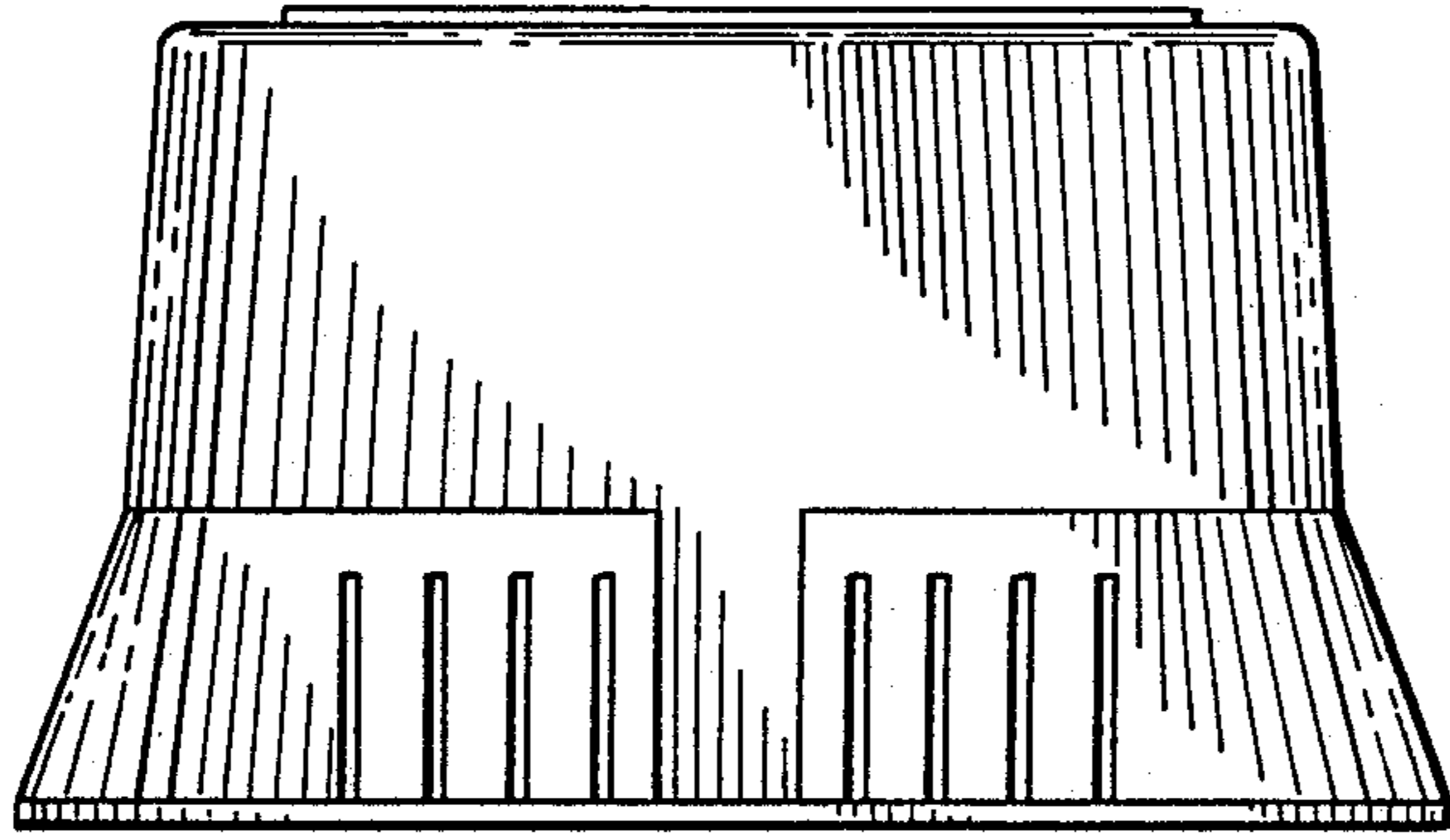




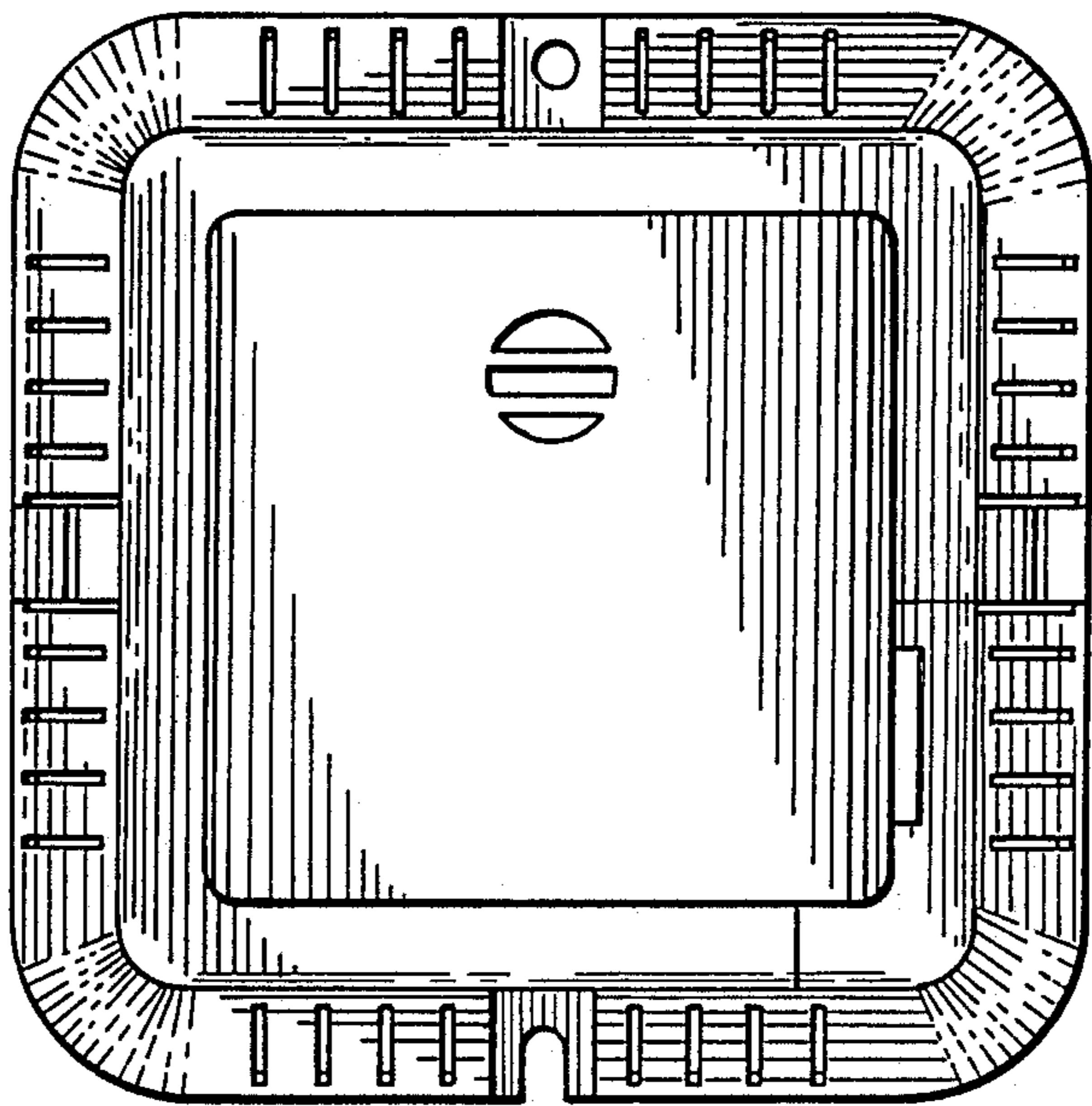
*FIG. 1*



*FIG. 2*



*FIG. 3*



*FIG. 4*