

[54] **PRESSURE TRANSMITTER HOUSING**
 [75] Inventor: Robert C. Hedtke, Hamburg, Minn.
 [73] Assignee: Rosemount Inc., Eden Prairie, Minn.
 [**] Term: 14 Years
 [21] Appl. No.: 755,285
 [22] Filed: Jul. 15, 1985
 [52] U.S. Cl. D10/46
 [58] Field of Search D10/46, 83, 86;
 D23/233-237, 244-249; 73/431, 717-722, 756

4,637,257 1/1987 von Rauch 73/717 X
 4,653,330 3/1987 Hedtke 73/756

OTHER PUBLICATIONS

Model 1151DP Alphaline Differential Pressure Transmitter for High Differentials.

Primary Examiner—James R. Largen
Attorney, Agent, or Firm—Kinney & Lange

[57] CLAIM

The ornamental design for a pressure transmitter housing, substantially as shown and described.

DESCRIPTION

FIG. 1 is a top plan view of a pressure transmitter housing embodying my new design;
 FIG. 2 is a front elevational view thereof, the rear being a mirror image of the front shown;
 FIG. 3 is a bottom plan view thereof;
 FIG. 4 is a right side elevational view thereof; and
 FIG. 5 is a left side elevational view thereof.

[56] References Cited
 U.S. PATENT DOCUMENTS

D. 277,831 3/1985 Bergstrom et al. D10/46
 D. 287,827 1/1987 Broden D23/235 X
 3,247,719 4/1966 Chelner 73/756 X
 3,618,390 11/1971 Frick 73/718
 4,176,557 12/1979 Johnston 73/756 X
 4,414,851 11/1983 Maglie 73/756 X

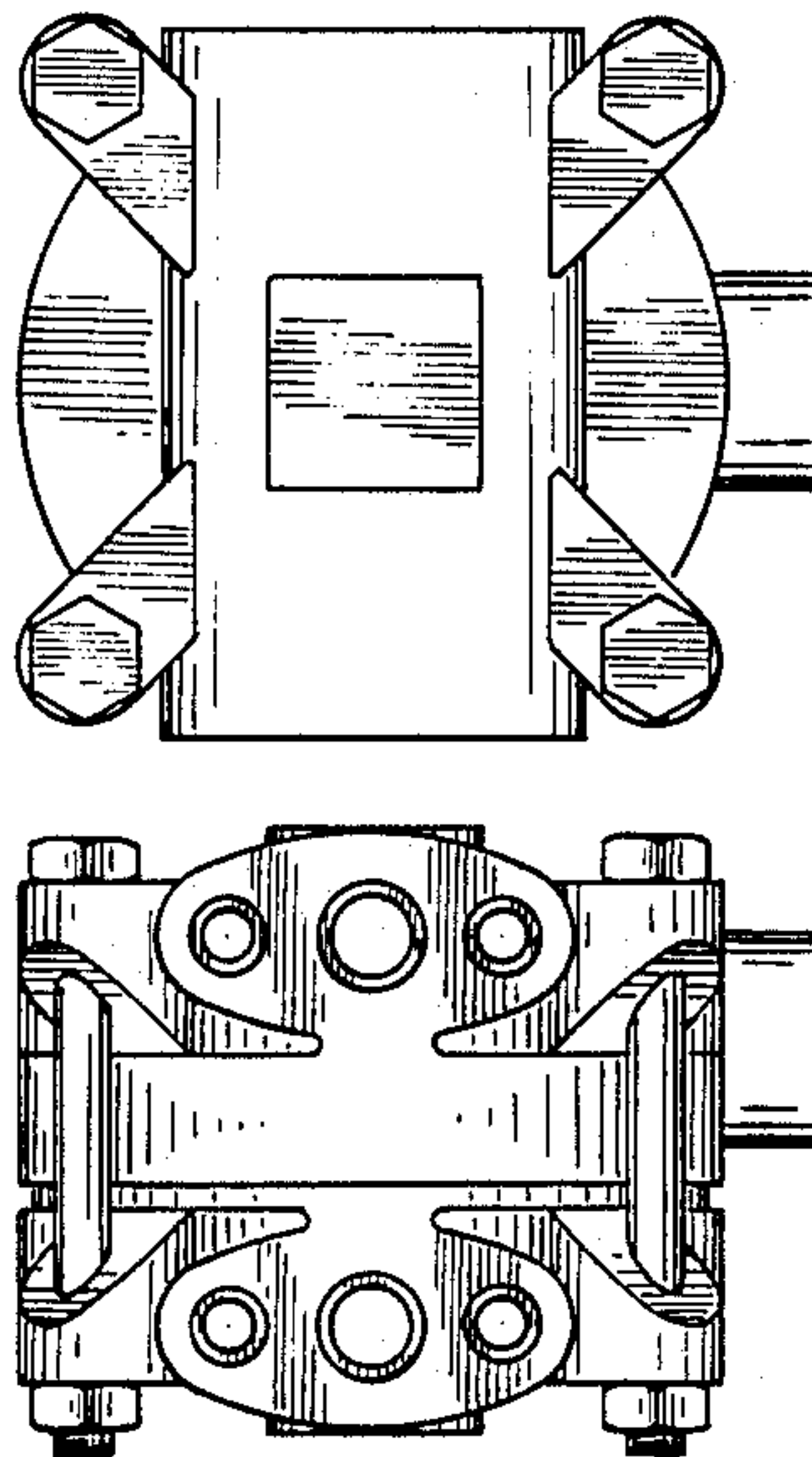


FIG. 1

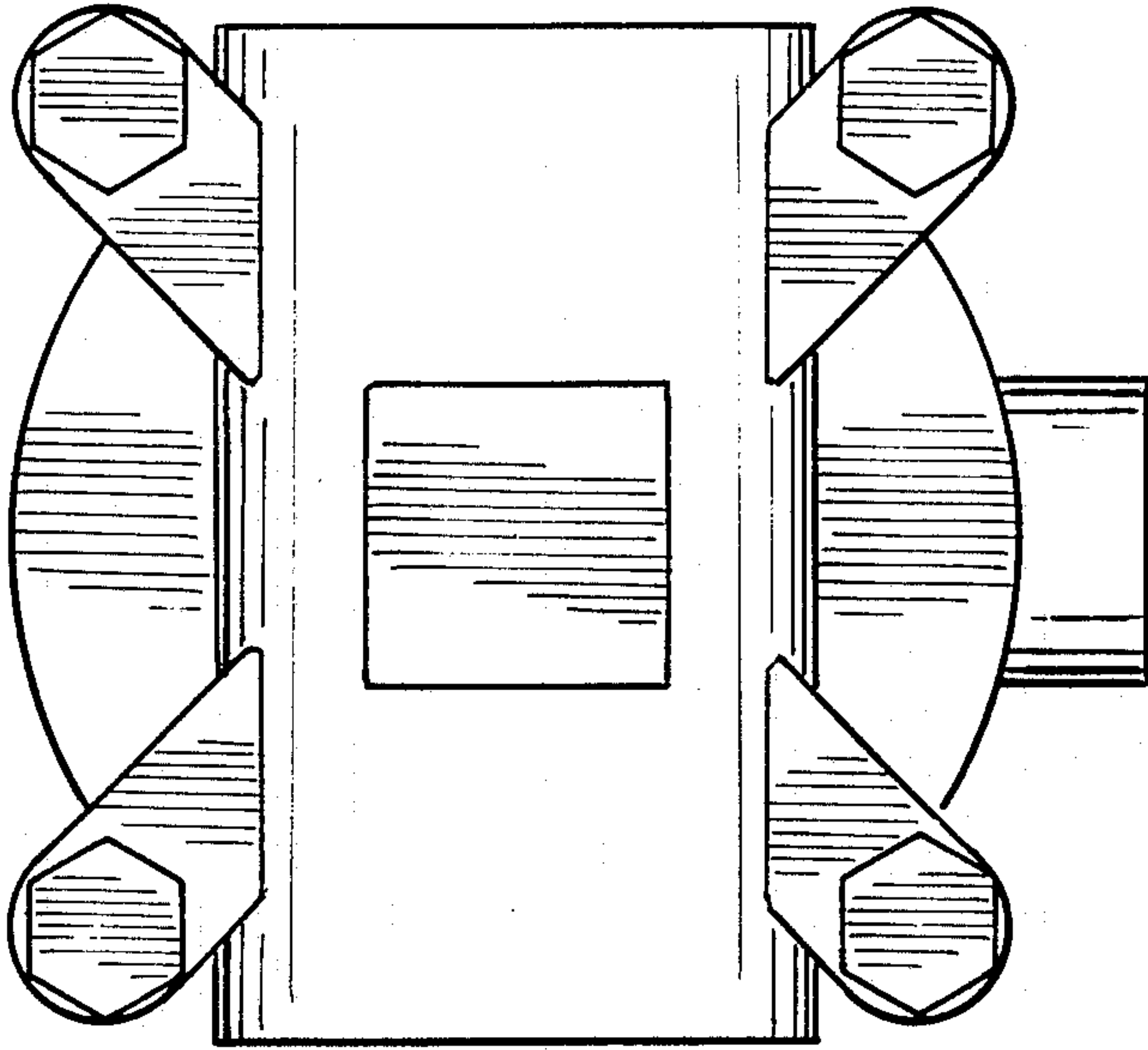


FIG. 2

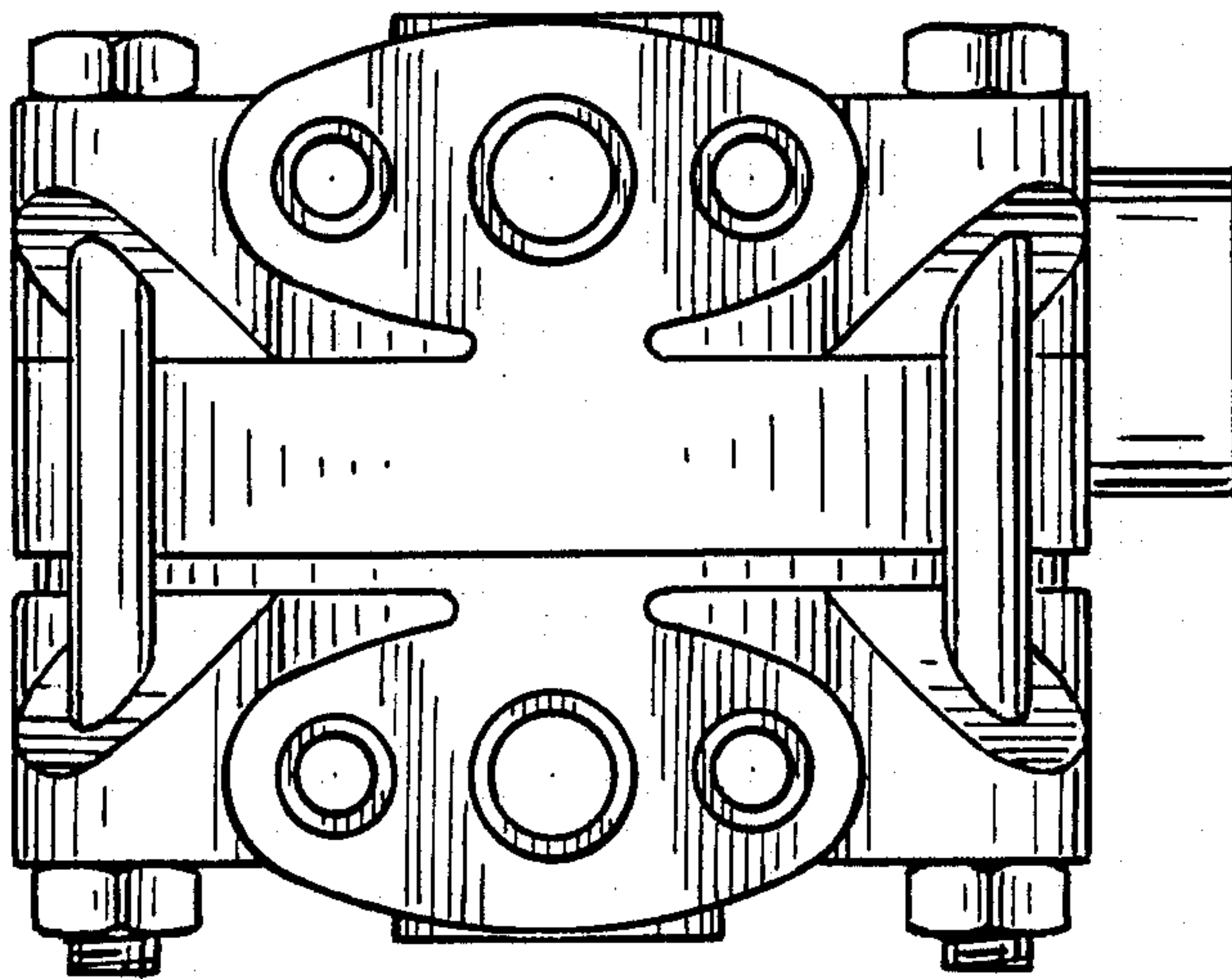
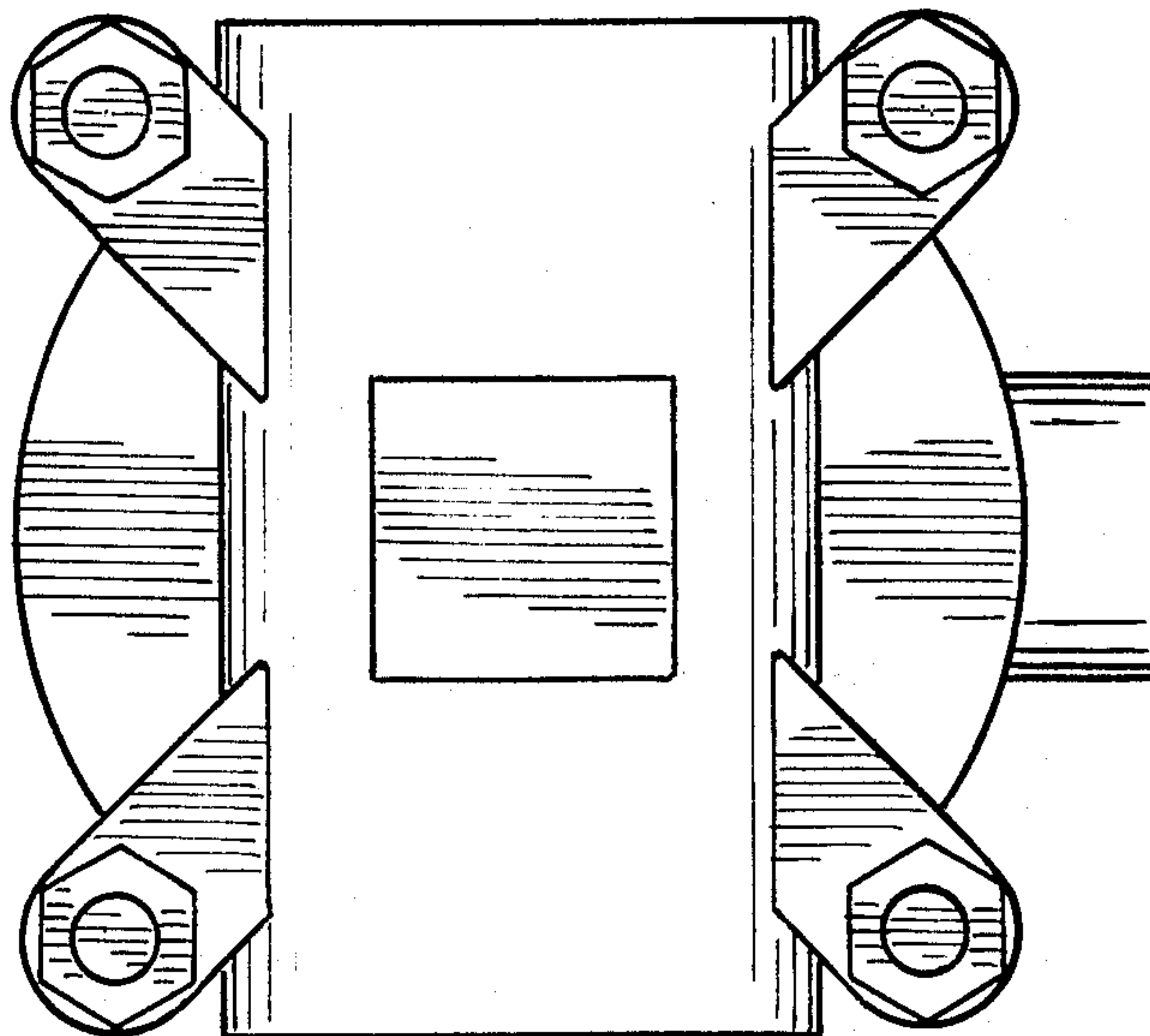


FIG. 3



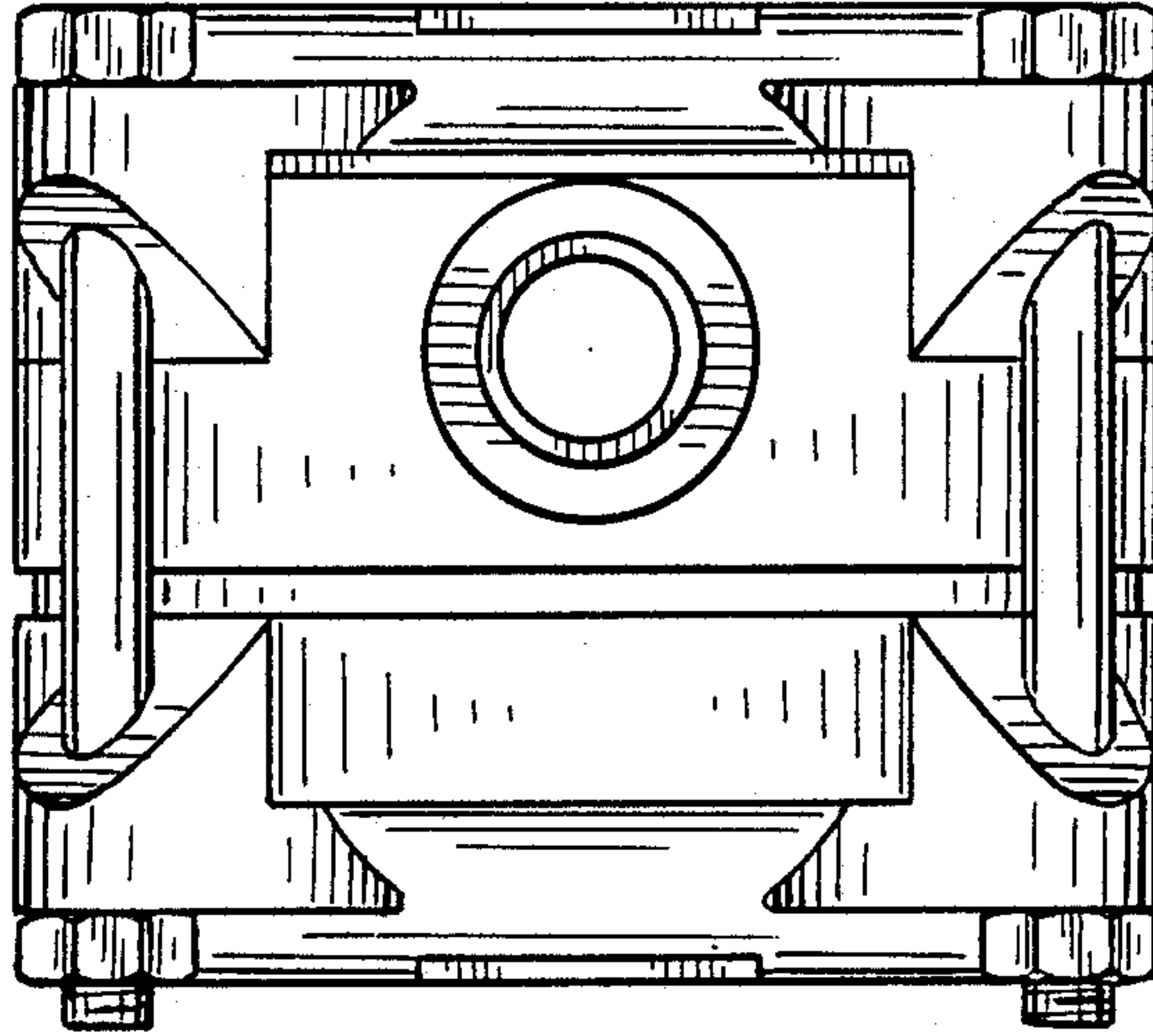


FIG. 4

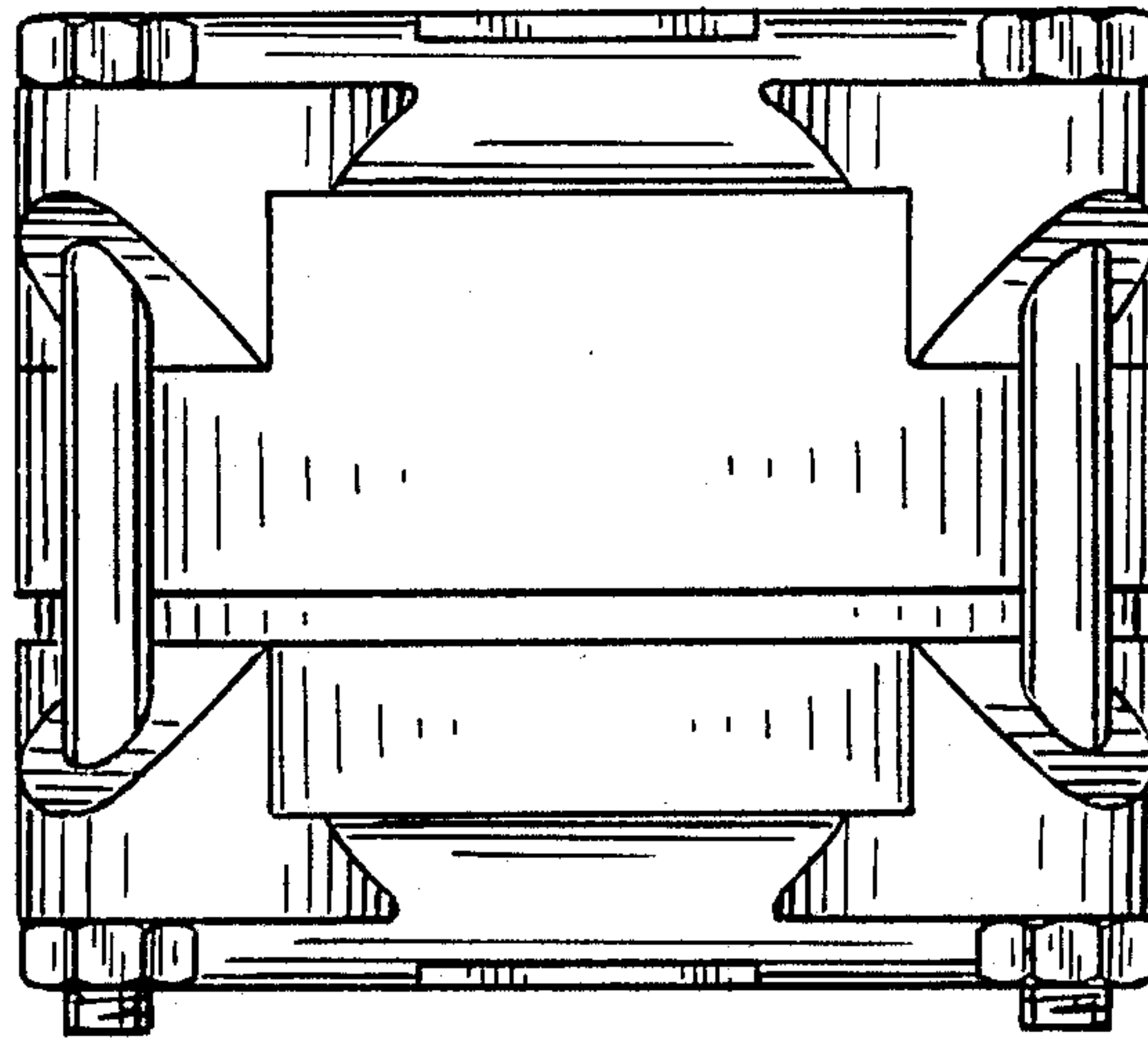


FIG. 5