

- [54] **SWING MOUNT HOSE REEL**
- [75] **Inventor: Terry N. Nelson, Shoreview, Minn.**
- [73] **Assignee: Specialty Manufacturing Company, St. Paul, Minn.**
- [**] **Term: 14 Years**
- [21] **Appl. No.: 681,922**
- [22] **Filed: Dec. 14, 1984**
- [52] **U.S. Cl. D8/359; D8/358; 242/96; 242/86**
- [58] **Field of Search D8/358, 359; D34/24; D23/137; 242/86, 86.1, 86.2, 86.5 R, 96, 100, 107.4 R; 137/355.22, 355.26, 355.27, 355.16, 355.12**

1,537,637	5/1925	Jarvis	137/355.12
2,547,826	4/1957	Kirschmer	137/355.26
2,602,605	7/1952	Shilling	242/100
2,805,100	9/1957	Shaver	242/186
2,823,074	2/1958	Bernard, Jr.	137/355.26
3,330,498	7/1967	Ricky	242/86
3,645,468	2/1972	Edelsberg et al.	242/106
3,880,378	4/1975	Ballenger	242/96
4,137,939	2/1979	Chow	137/355.27
4,512,361	4/1985	Fisbo et al.	137/355.27
4,700,737	10/1987	Nelson	137/355.27

FOREIGN PATENT DOCUMENTS

3041717	6/1981	Fed. Rep. of Germany	242/86
331238	6/1930	United Kingdom	137/355.26
901606	7/1962	United Kingdom	242/86
1390926	4/1975	United Kingdom	137/355.26

Primary Examiner—Horace B. Fay
Attorney, Agent, or Firm—Dorsey & Whitney

[56] **References Cited**
U.S. PATENT DOCUMENTS

D. 211,531	6/1968	Elmslie	D8/359
D. 233,411	10/1974	Geisler	D8/359
D. 240,192	6/1976	Bolmer, Jr.	D8/358
D. 288,773	3/1987	Ward	D8/359
D. 294,450	3/1988	Nelson	D8/359
D. 294,455	3/1988	Nelson	D8/359
D. 294,456	3/1988	Nelson	D8/359
698,346	4/1902	Wood	242/86.1
889,038	5/1908	Parker	242/86
904,380	11/1908	Vader	137/355.26
1,061,642	5/1913	Stoerp	242/107.4 R
1,449,730	3/1923	Casper et al.	242/86

[57] **CLAIM**

The ornamental design for a swing mount hose reel, as shown and described.

DESCRIPTION

FIGS. 1 and 2 are respectively left and right side elevational views of a swing mount hose reel showing my new design;
 FIGS. 3 and 4 are respectively front and rear elevational views thereof; and
 FIGS. 5 and 6 are respectively top and bottom plan views thereof.

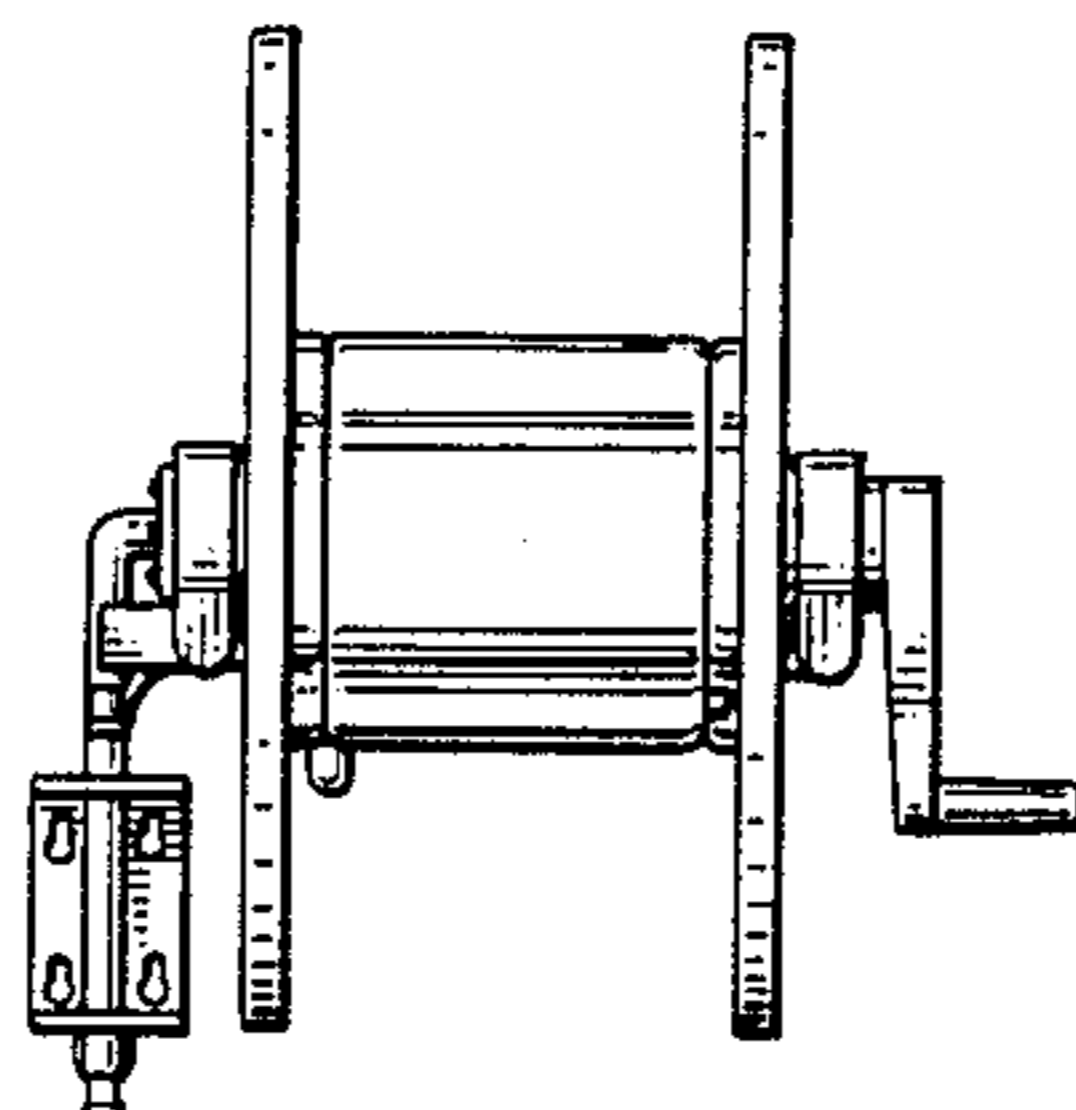
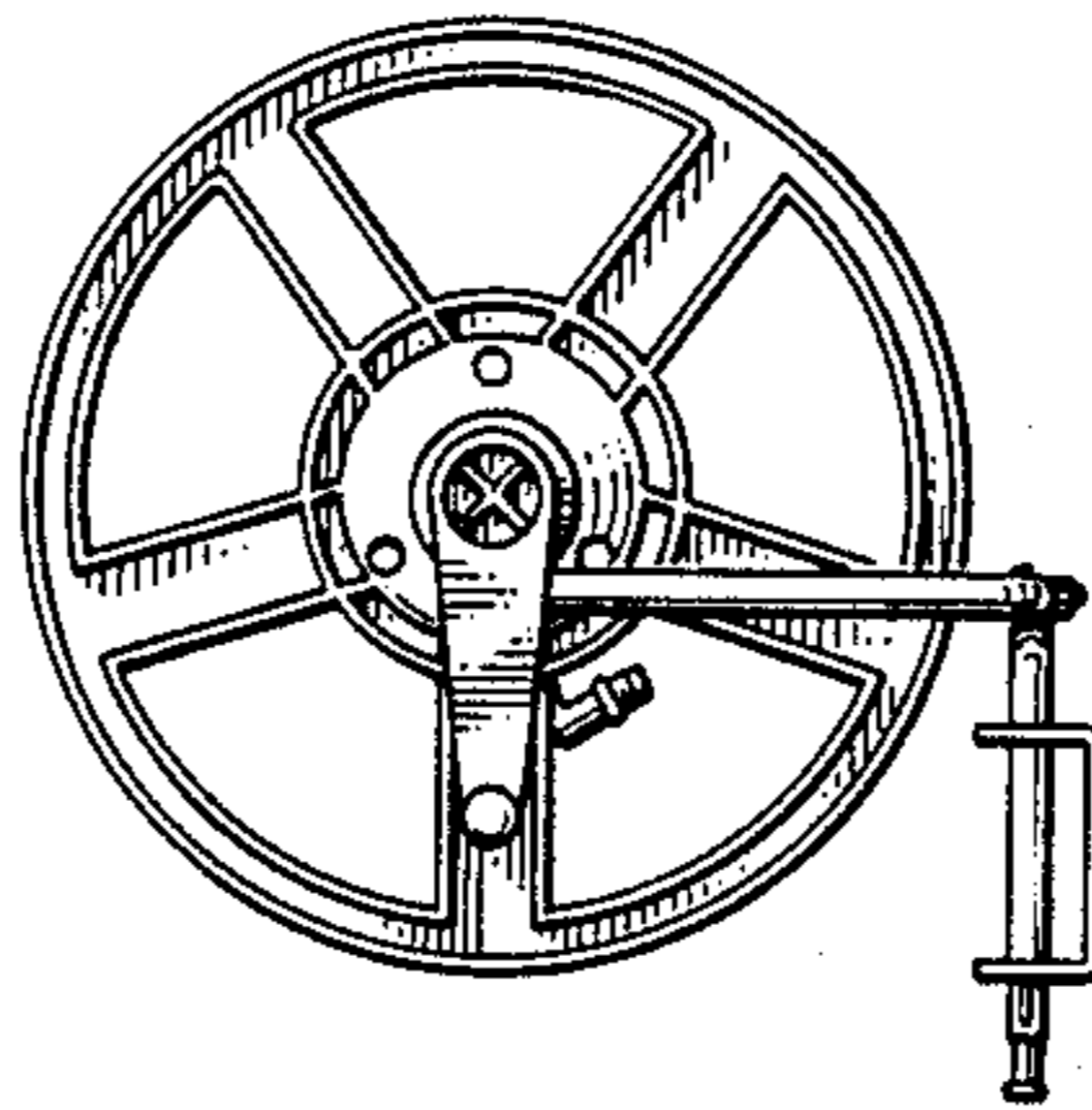


Fig. 1

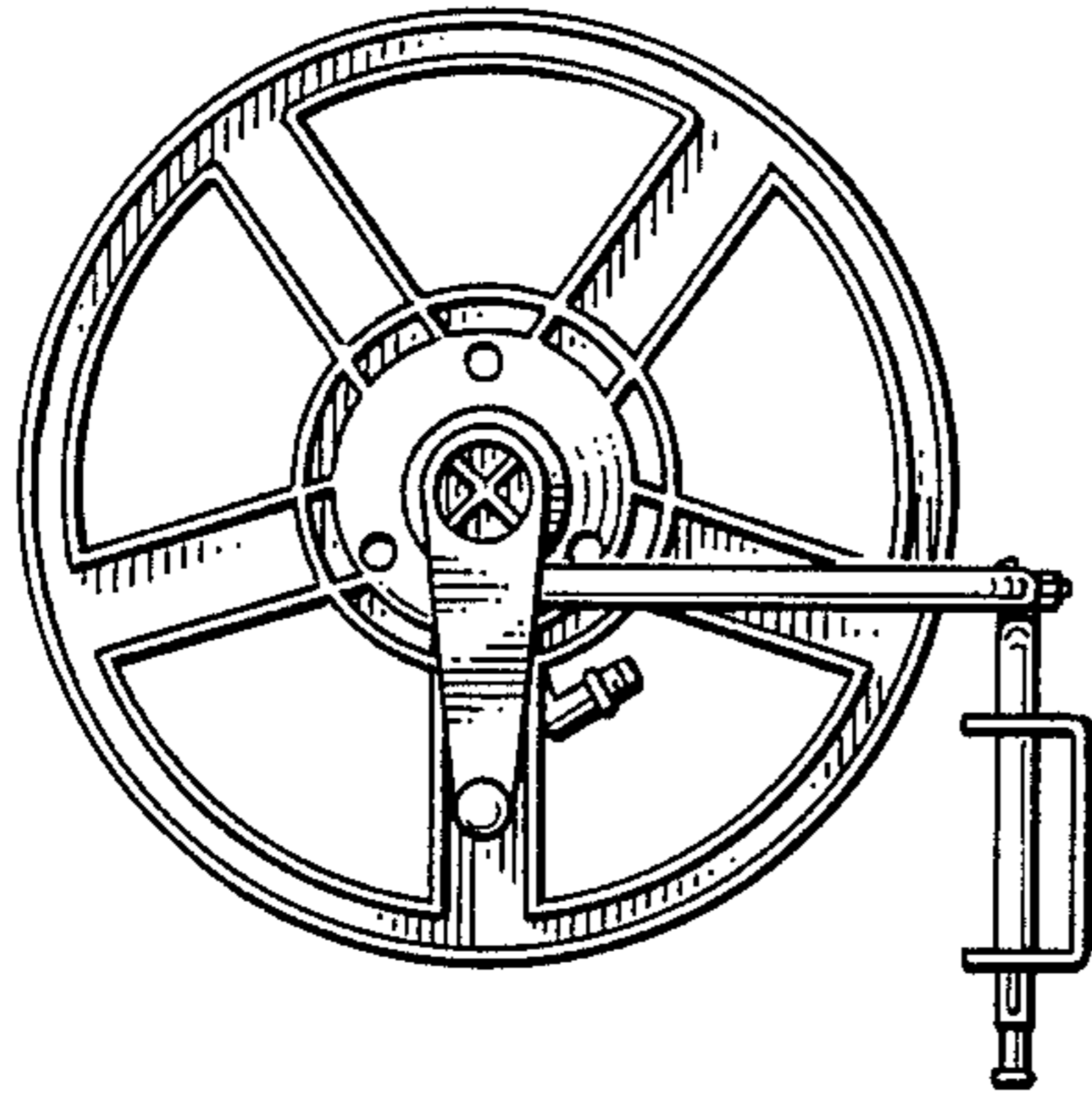


Fig. 2

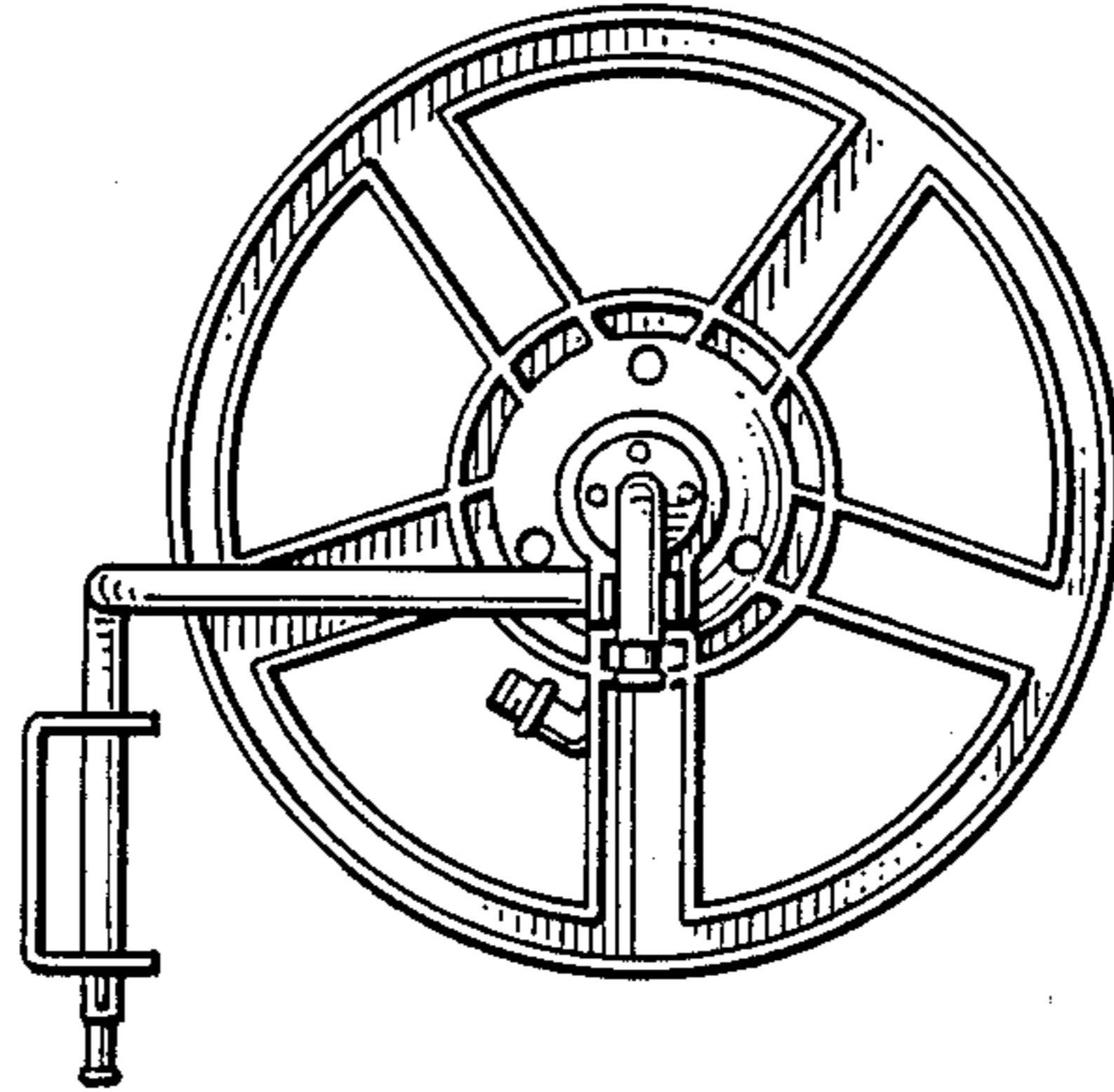


Fig. 3

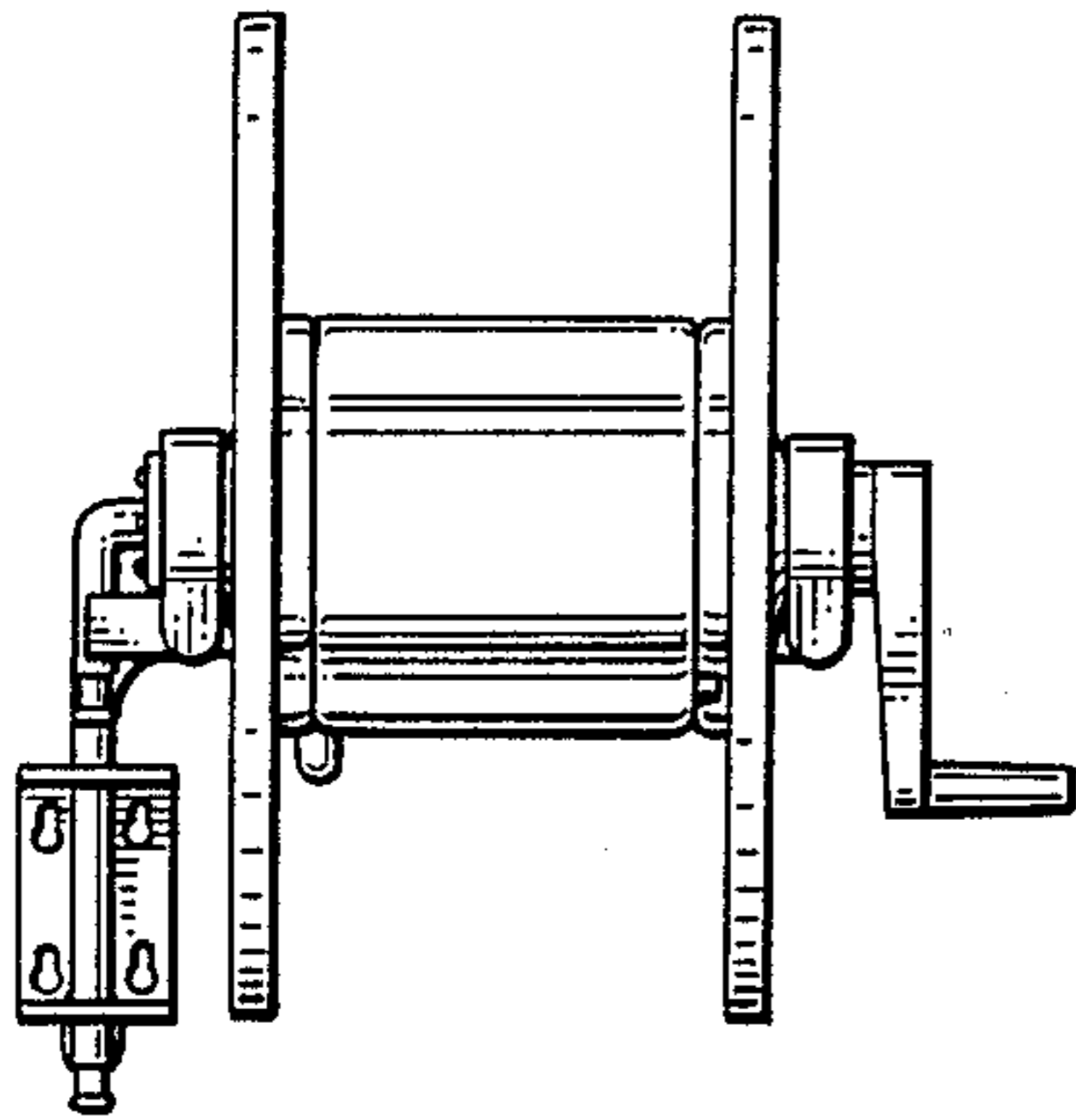


Fig. 4

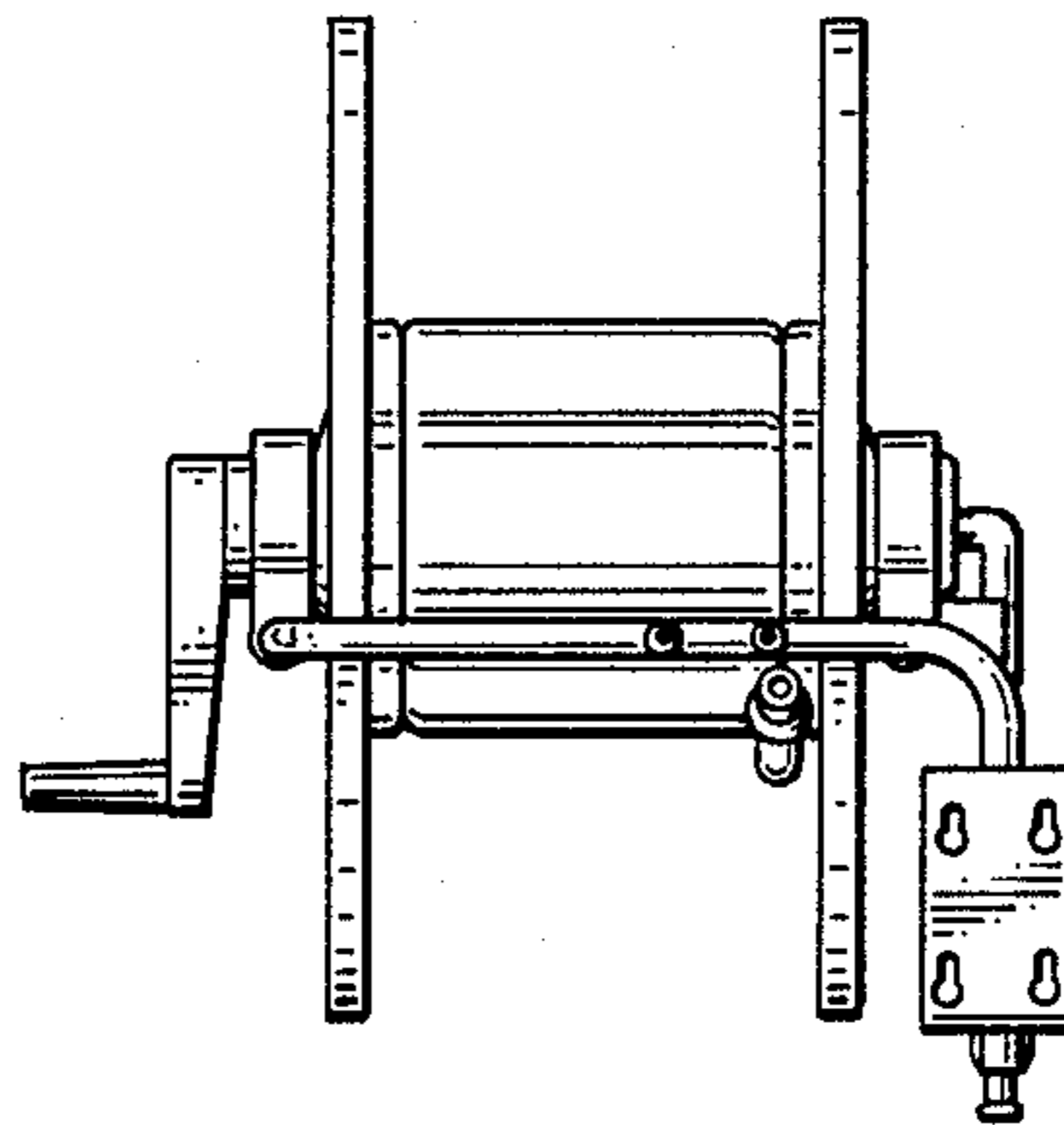


Fig. 5

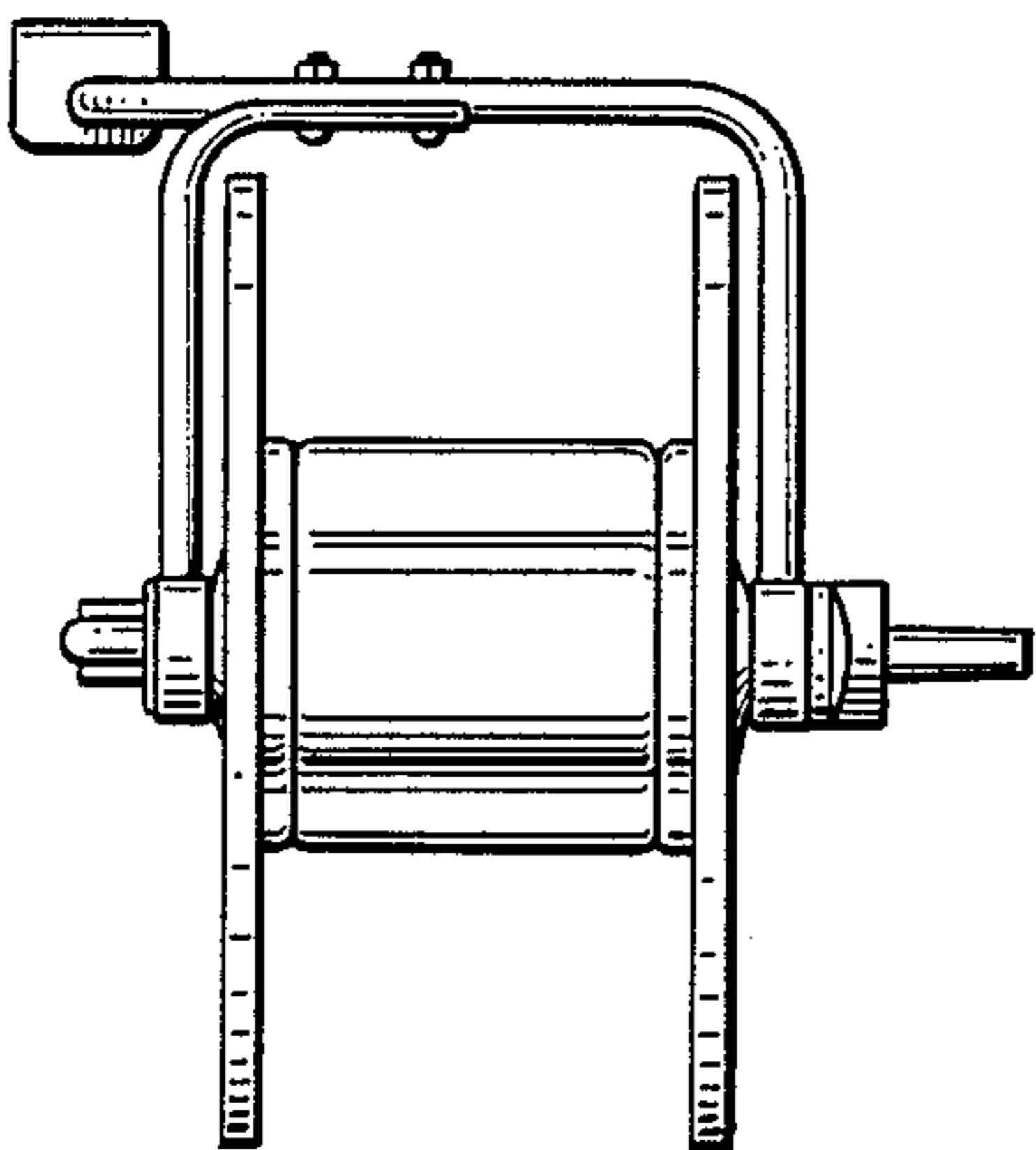


Fig. 6

