

[54] DESK STAPLER

[75] Inventors: Richard B. McDermott, N. Providence, R.I.; Maurice J. Turcotte, Worcester, Mass.

[73] Assignee: Stanley-Bostitch, Inc., East Greenwich, R.I.

[**] Term: 14 Years

[21] Appl. No.: 765,156

[22] Filed: Aug. 13, 1985

[52] U.S. Cl. D8/50

[58] Field of Search D8/50; 227/120, 128

[56] References Cited

U.S. PATENT DOCUMENTS

| | | | | |
|------------|---------|--------------|-------|---------|
| D. 233,306 | 10/1974 | Power | | D8/50 |
| D. 277,162 | 1/1985 | Power et al. | | D8/50 |
| 3,056,963 | 10/1962 | Clay | | 227/127 |

Primary Examiner—Bernard Ansher

Assistant Examiner—Terry Pfeffer

Attorney, Agent, or Firm—Cushman, Darby & Cushman

[57] CLAIM

The ornamental design for a desk stapler, as shown and described.

DESCRIPTION

FIG. 1 is a perspective view of a desk stapler showing our new design;

FIG. 2 is a top plan view thereof;

FIG. 3 is a front elevational view thereof;

FIG. 4 is a right side elevational view thereof;

FIG. 5 is a left side elevational view thereof;

FIG. 6 is a rear elevational view thereof;

FIG. 7 is a bottom plan view thereof;

FIG. 8 is a perspective view of a second embodiment of that shown in FIG. 1;

FIG. 9 is a top plan view of FIG. 8;

FIG. 10 is a front elevational view of FIG. 8;

FIG. 11 is a right side elevational view of FIG. 8;

FIG. 12 is a left side elevational view of FIG. 8;

FIG. 13 is a rear elevational view of FIG. 8; and

FIG. 14 is a bottom plan view of FIG. 8.

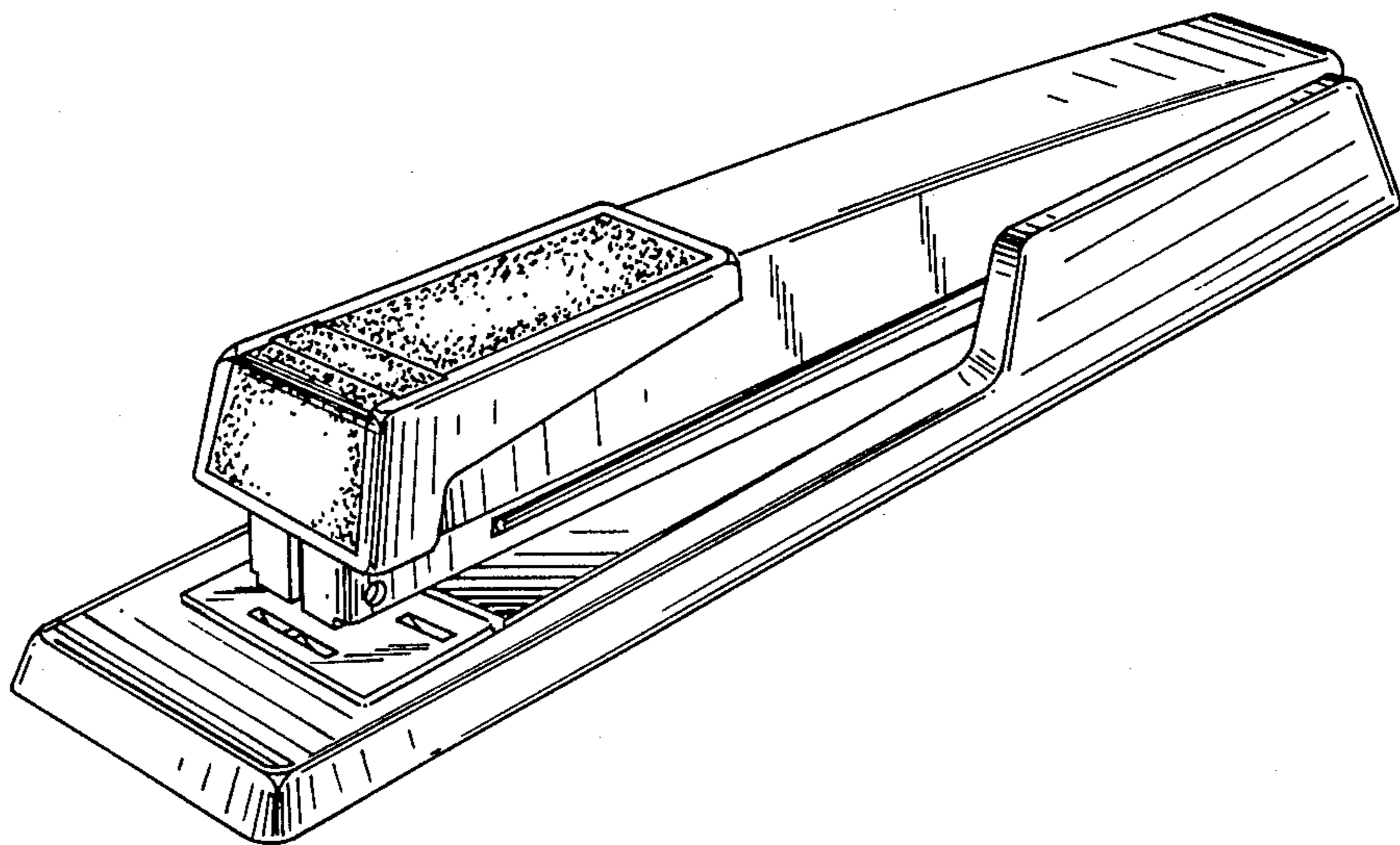


Fig. 1

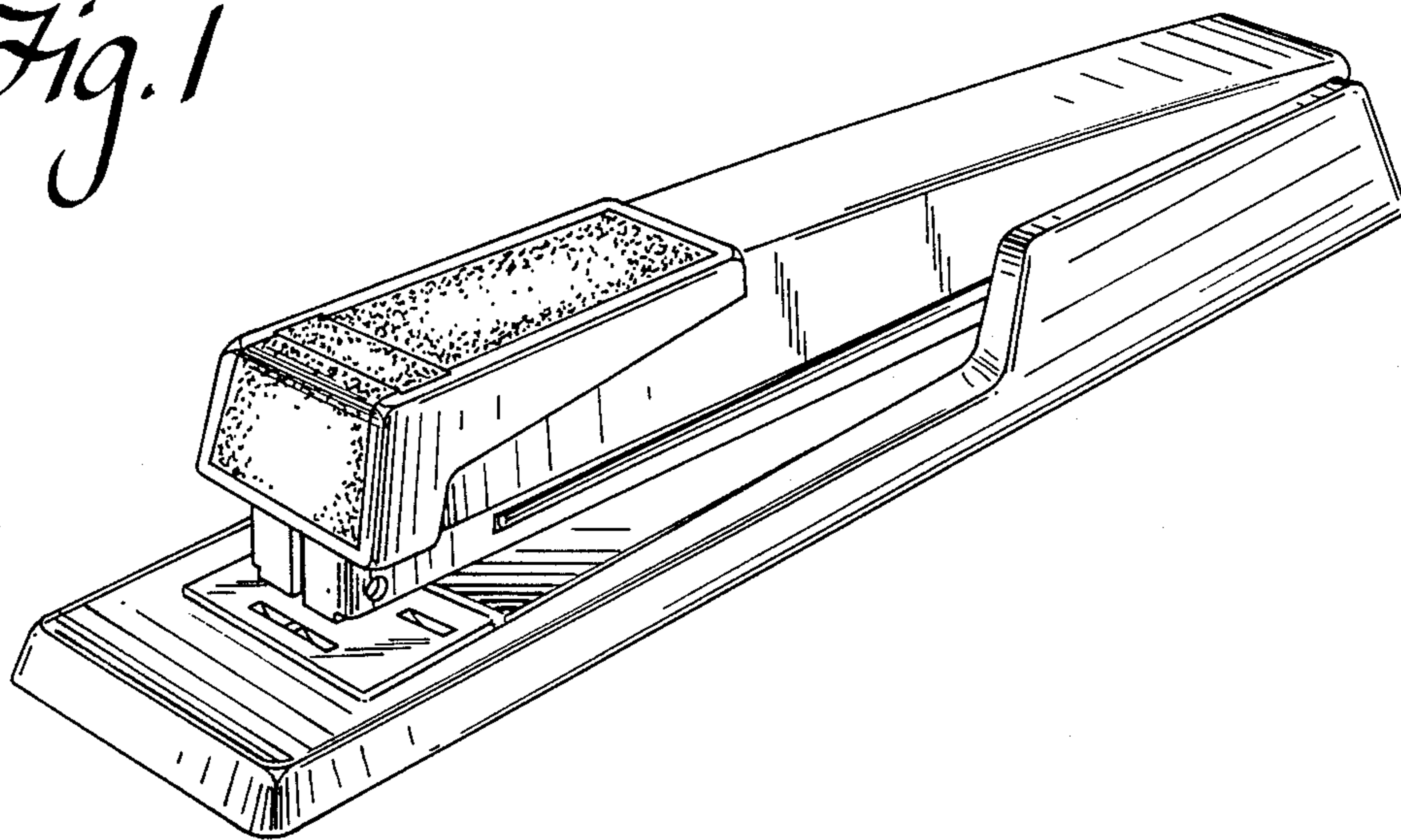


Fig. 2

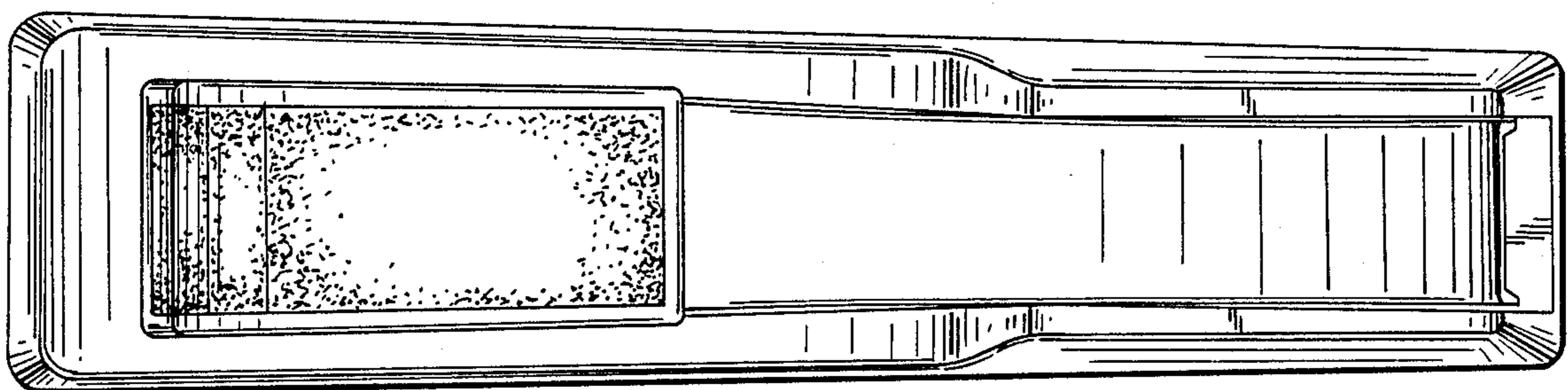
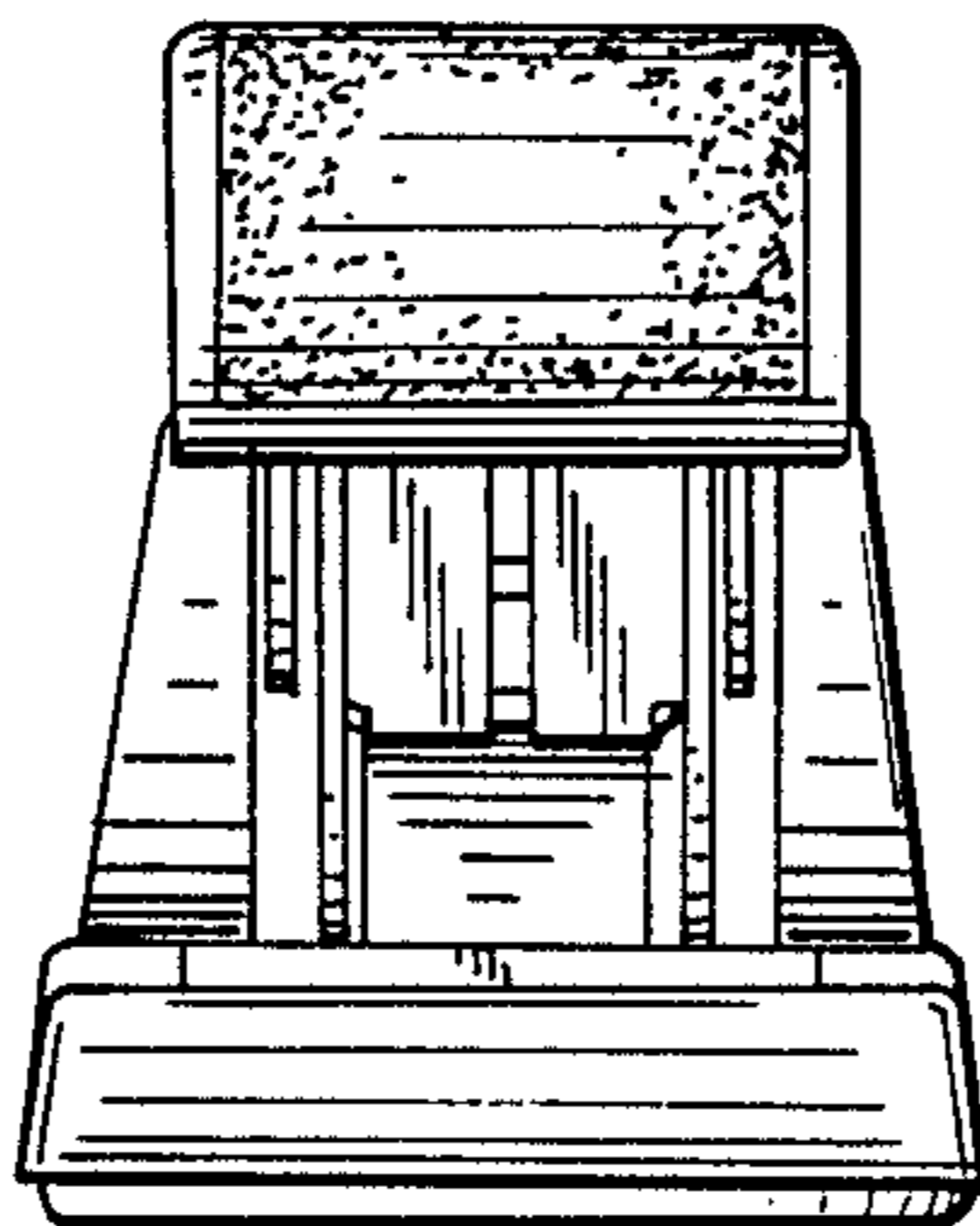


Fig. 3



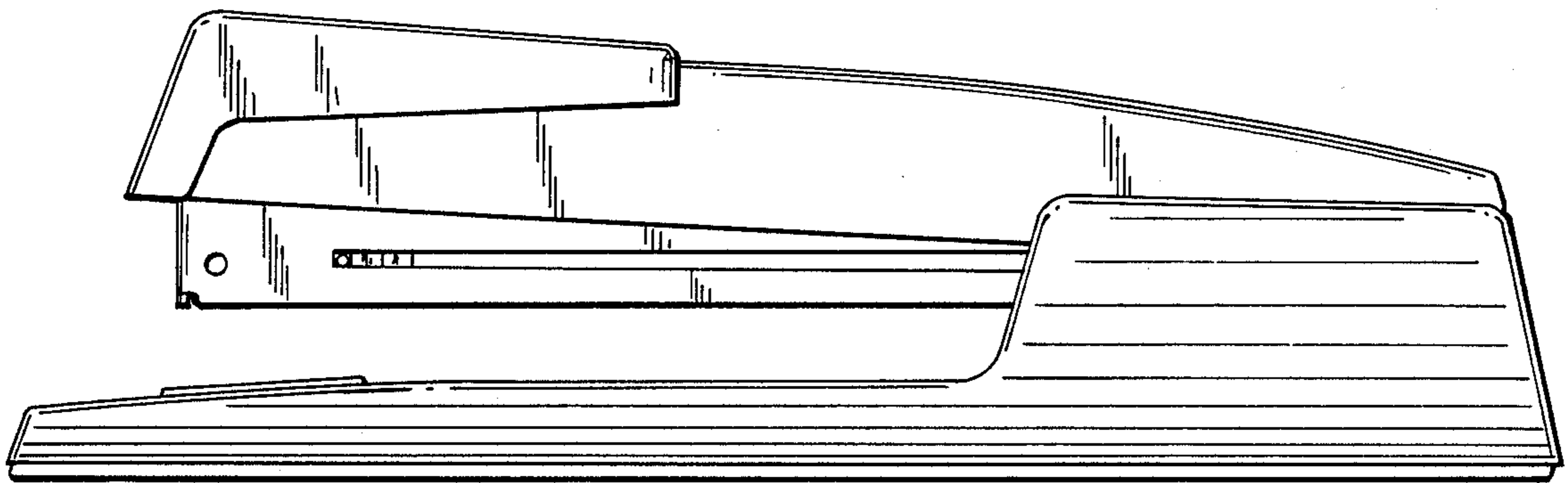


Fig. 4

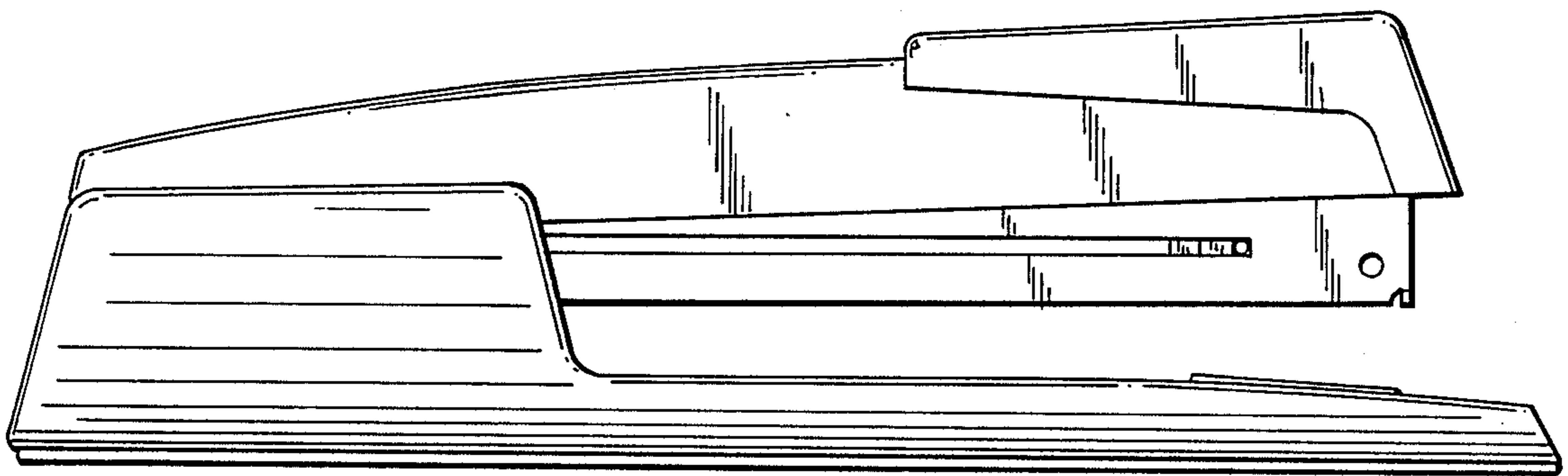


Fig. 5

Fig. 6

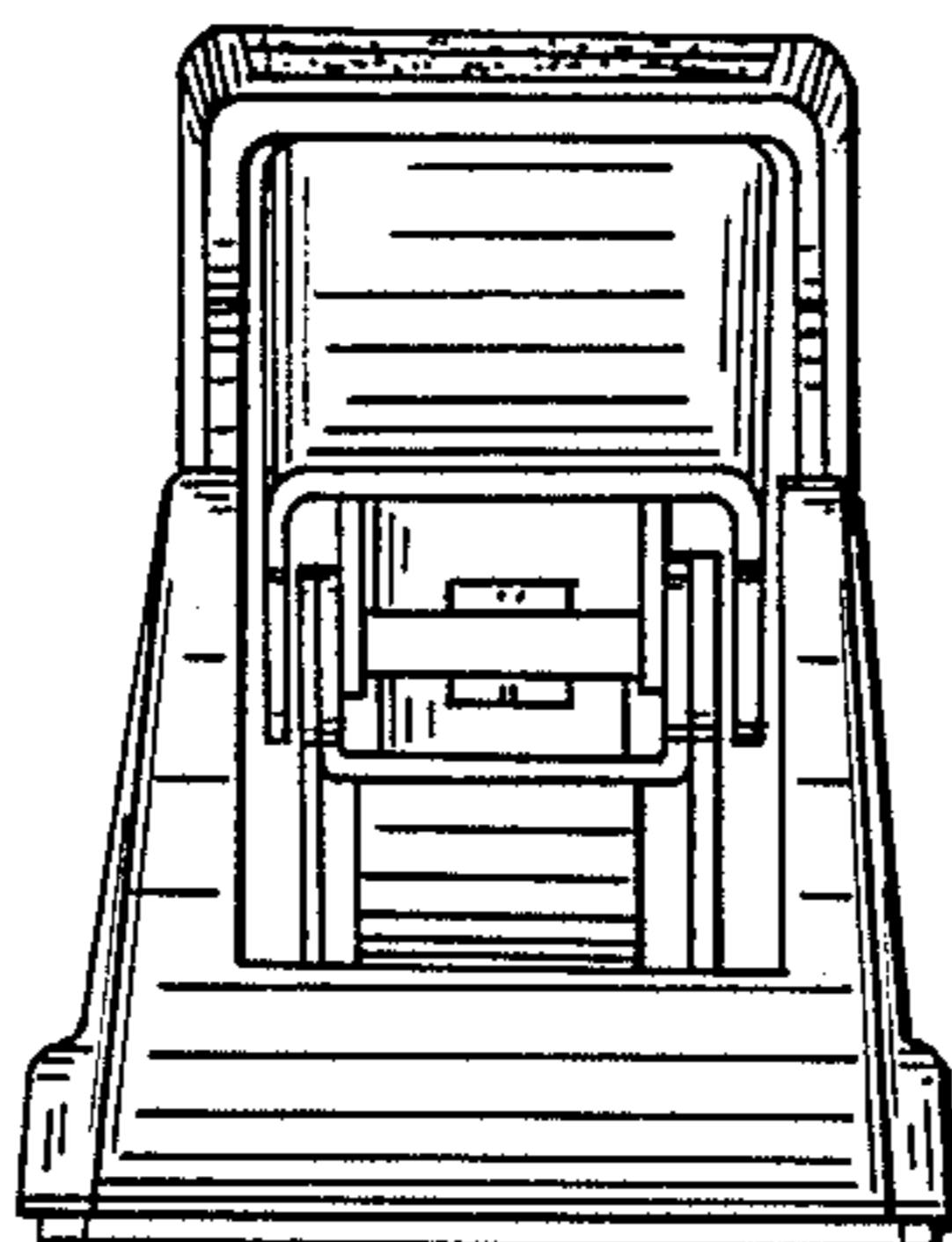


Fig. 7

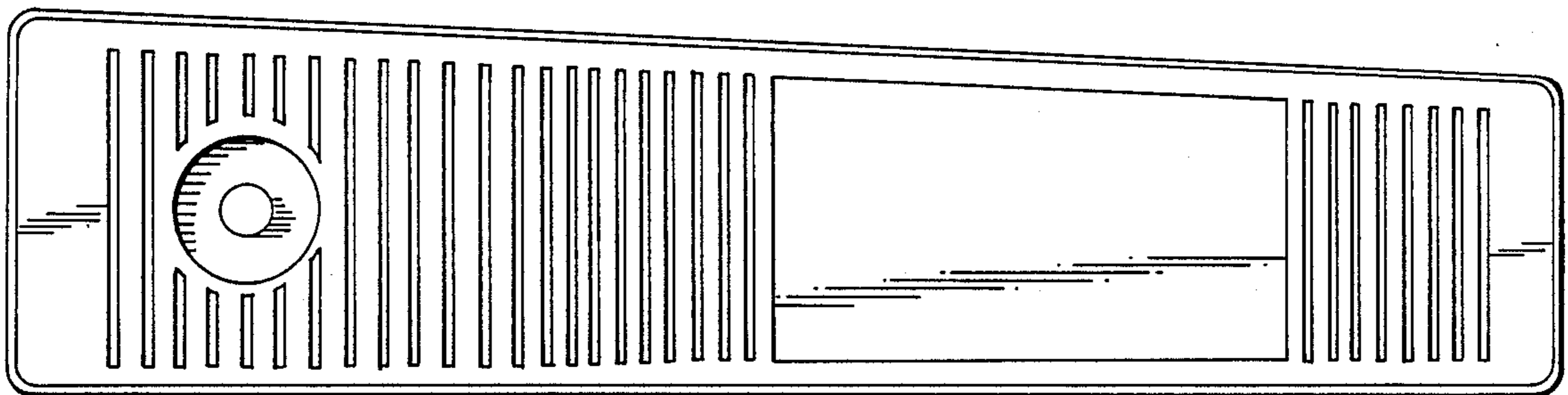


Fig. 8

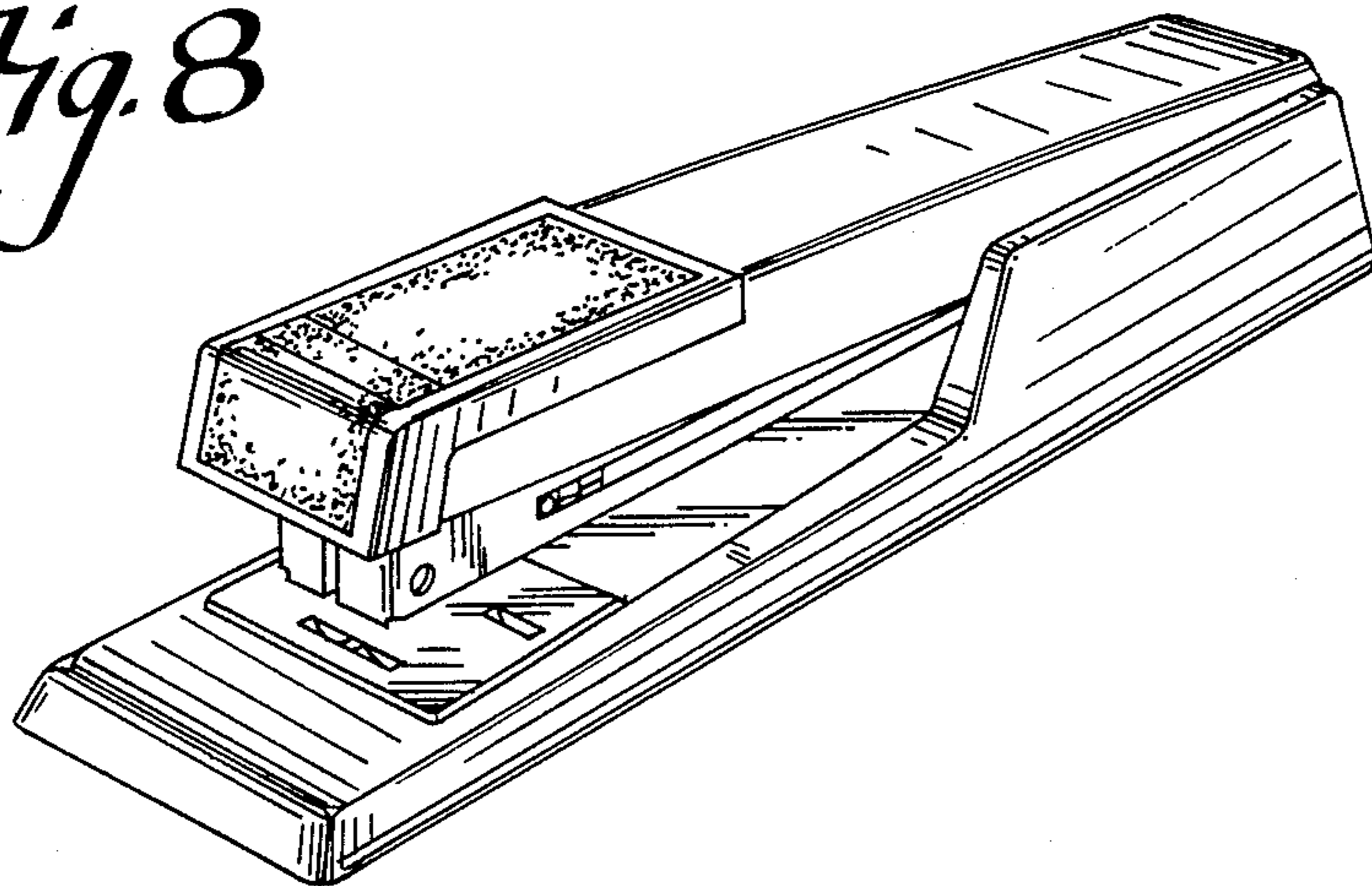


Fig. 9

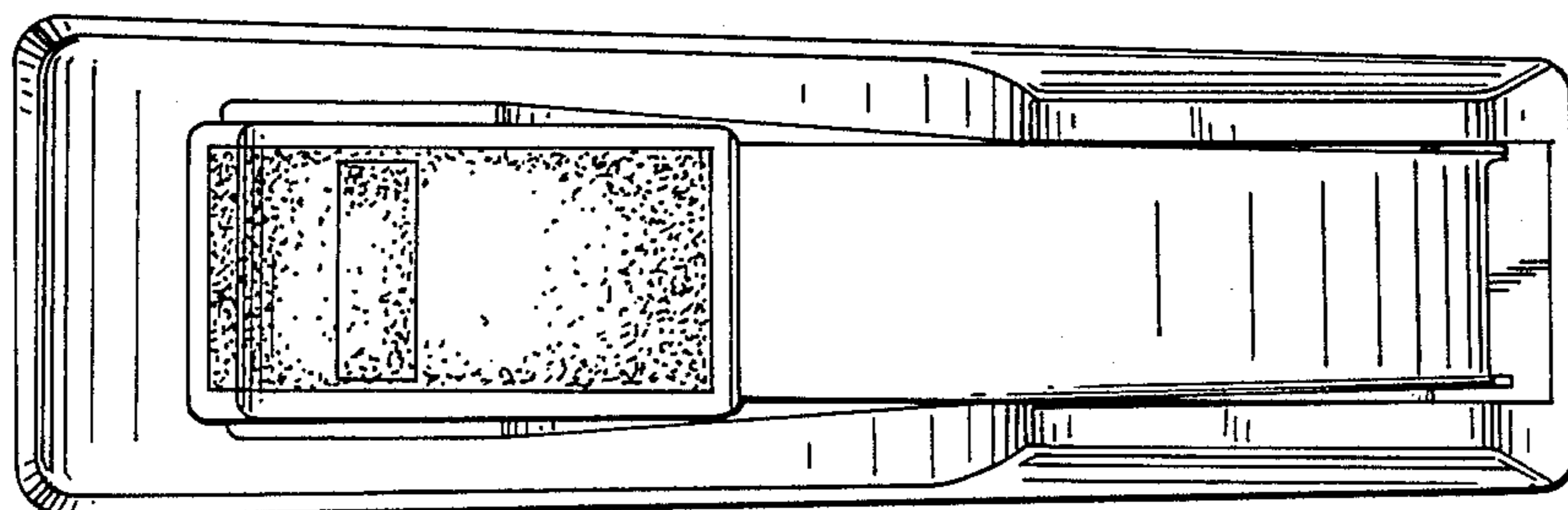


Fig. 10

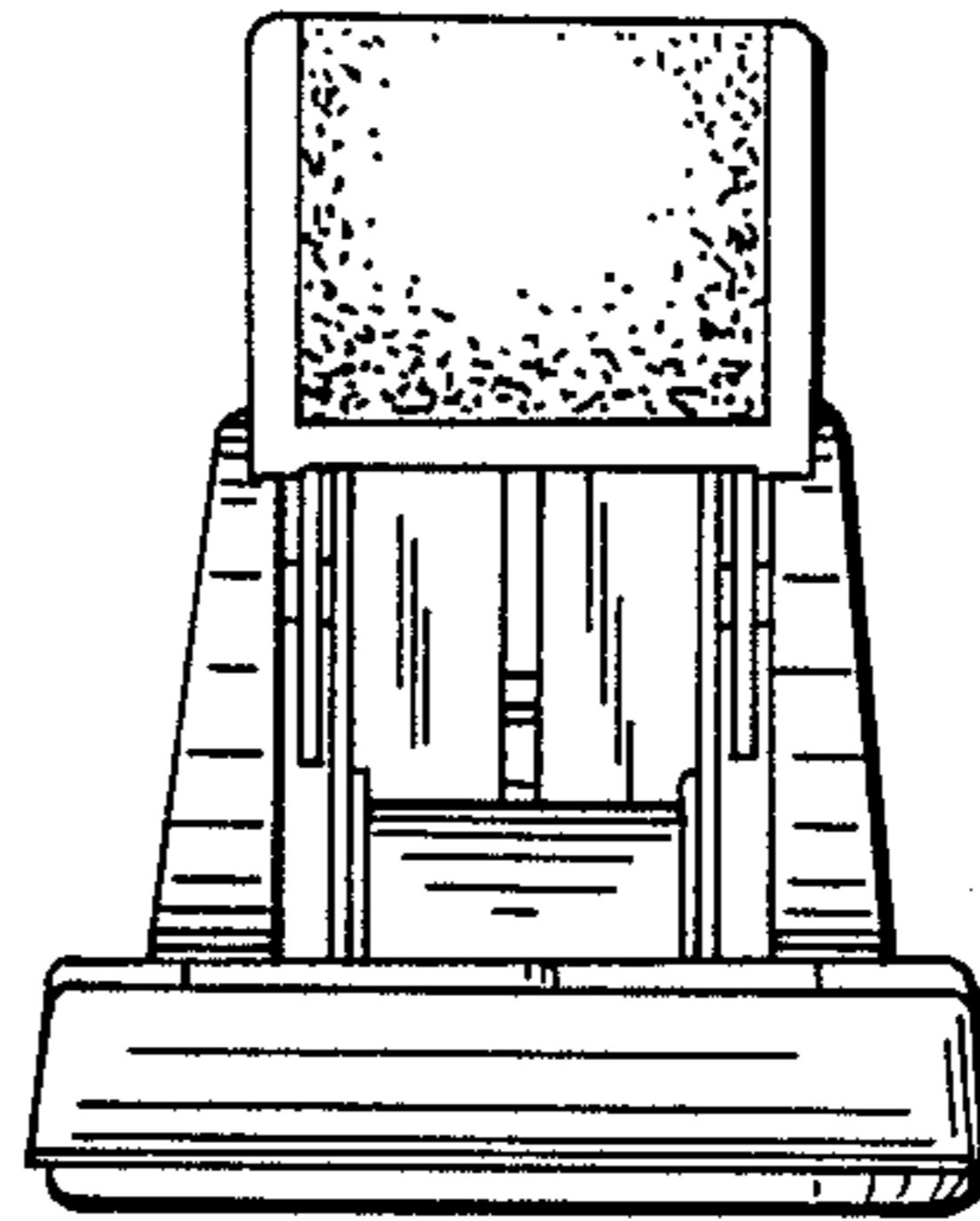


Fig. 11

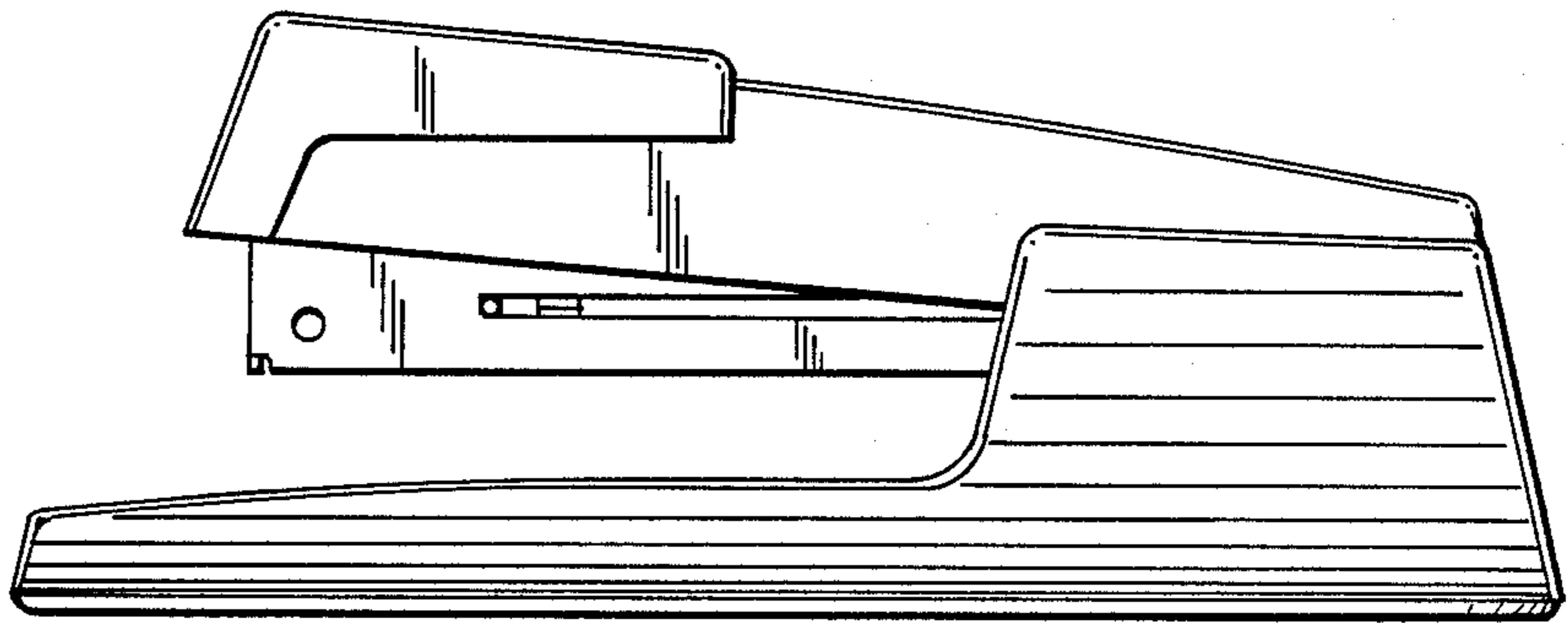


Fig. 12

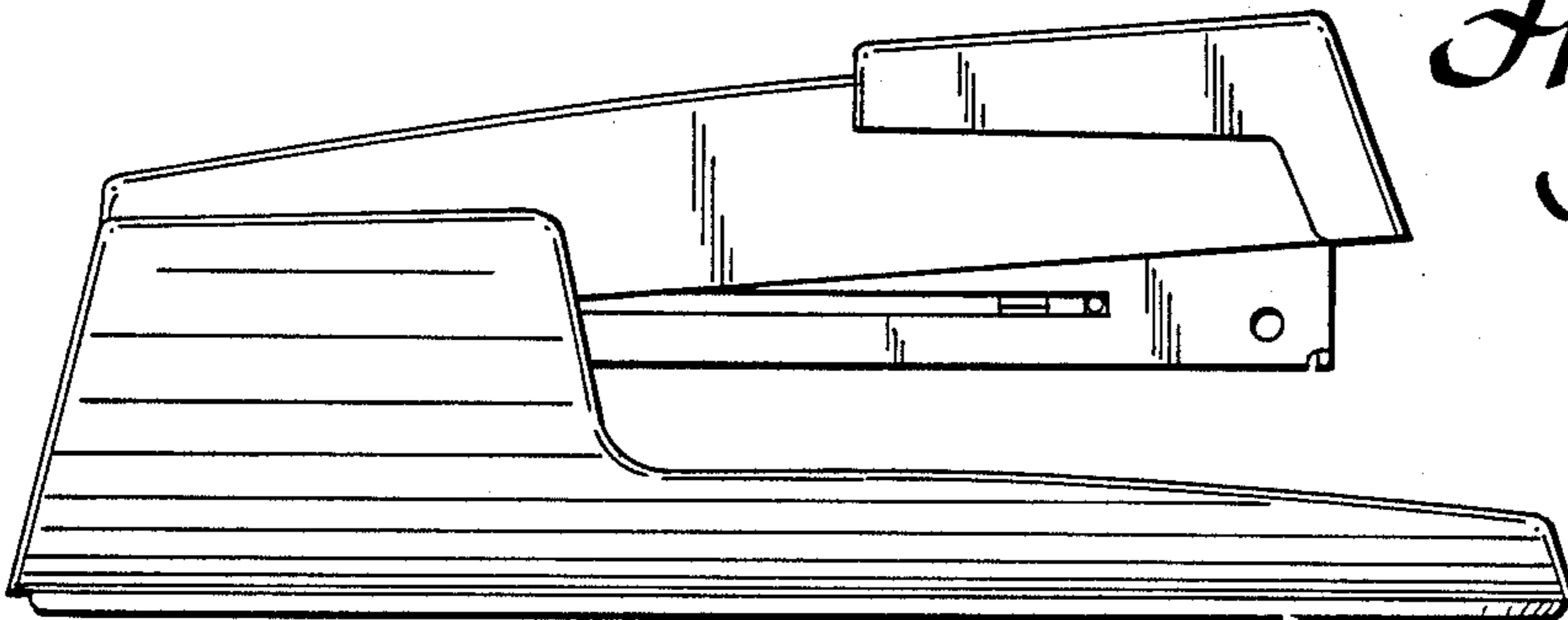


Fig. 13

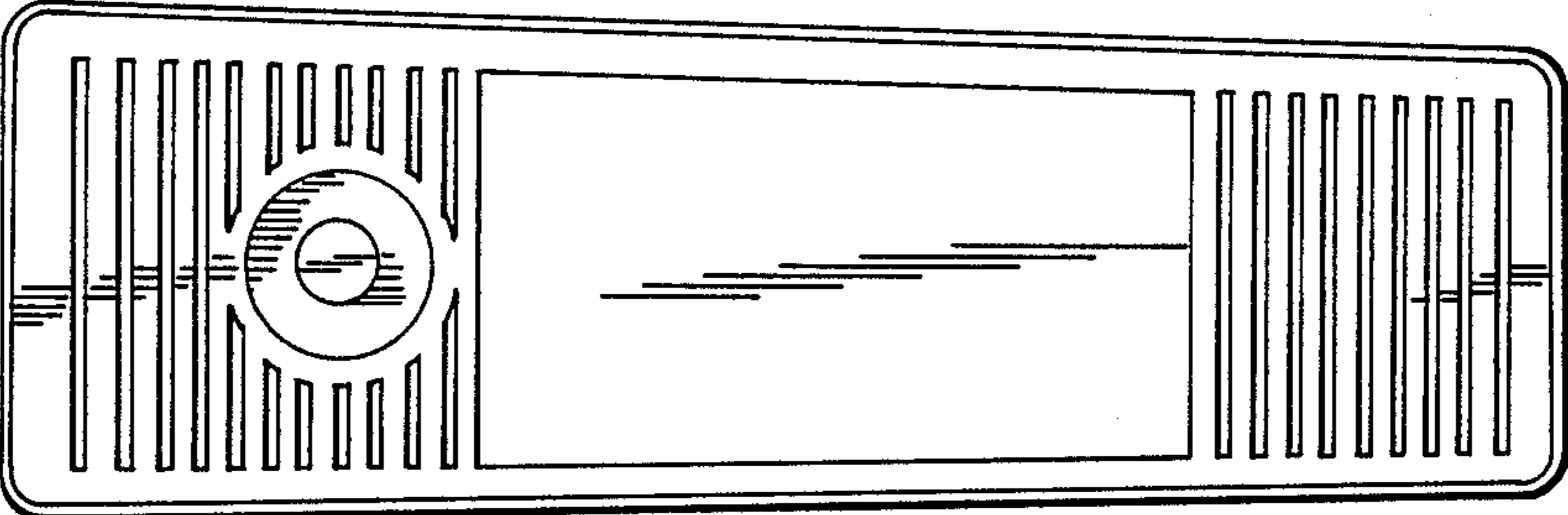
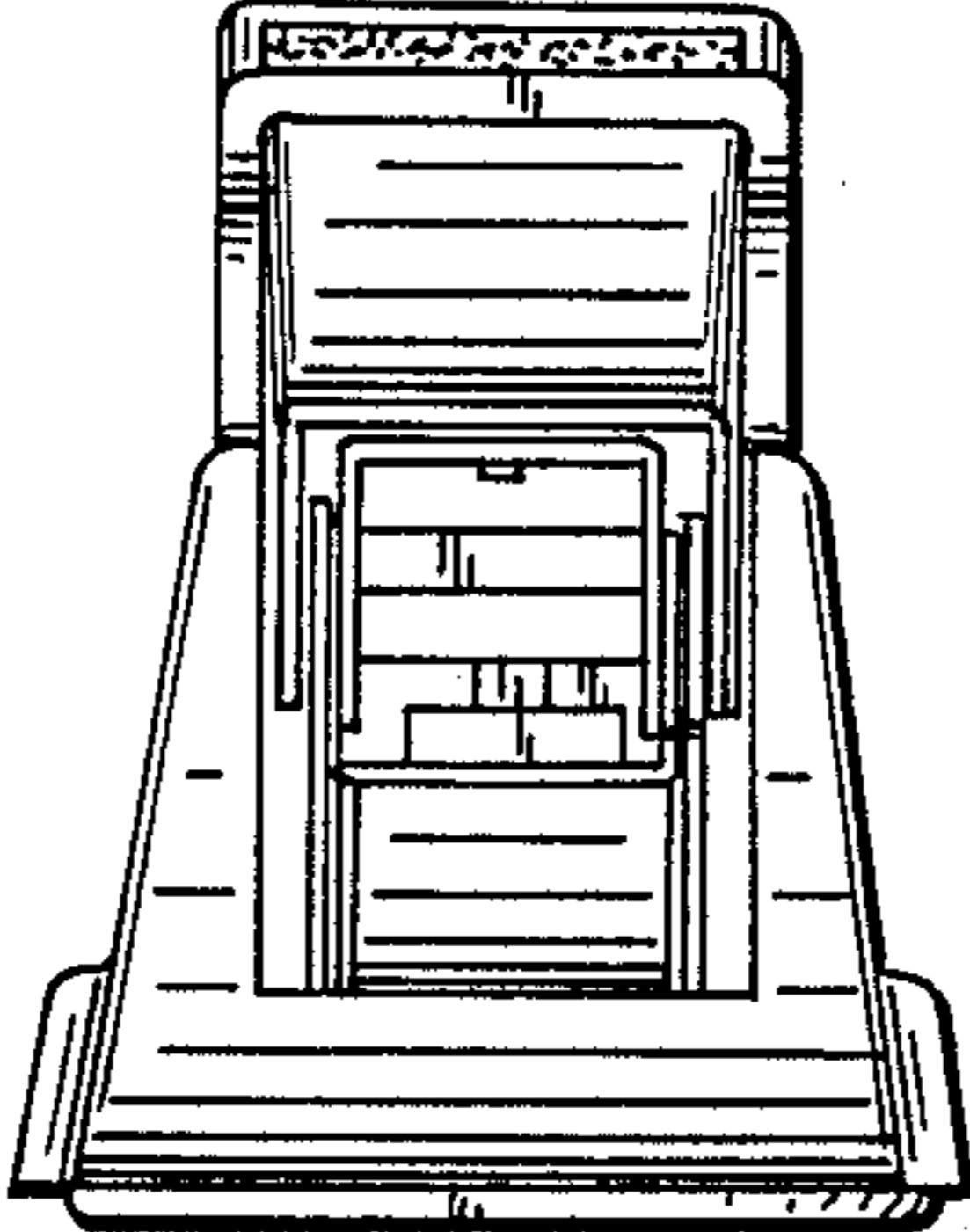


Fig. 14