

[54] HOT MELT GLUE GUN

[75] Inventor: Wolf-Dieter Krause, Muenster, Fed. Rep. of Germany

[73] Assignee: Emhart Industries, Inc., Farmington, Conn.

[**] Term: 14 Years

[21] Appl. No.: 697,038

[22] Filed: Jan. 31, 1985

[30] Foreign Application Priority Data

Aug. 7, 1984 [DE] Fed. Rep. of Germany 10MR642
[52] U.S. Cl. D8/30; D8/68
[58] Field of Search D8/14, 14.1, 30, 61, D8/68; D15/144; 222/146.2, 146.5

[56] References Cited

U.S. PATENT DOCUMENTS

D. 211,206	5/1968	Johnson et al.	D8/30
D. 226,750	4/1973	Grossman	D8/30
D. 255,766	7/1980	Wieland, Jr.	D8/30
D. 280,072	8/1985	Dziki	D8/61
D. 281,391	11/1985	Somers	D8/61
3,744,921	7/1973	Weller et al.	D8/30 X

Primary Examiner—Catherine E. Kemper
Attorney, Agent, or Firm—Thomas S. Szatkowski

[57] CLAIM

The ornamental design for a hot melt glue gun, as shown.

DESCRIPTION

FIG. 1 is a perspective view of a hot melt glue gun showing my new design;
FIG. 2 is a front elevational view thereof;
FIG. 3 is a rear elevational view thereof;
FIG. 4 is a right side elevational view thereof;
FIG. 5 is a left side elevational view thereof; and
FIG. 6 is a plan view thereof.

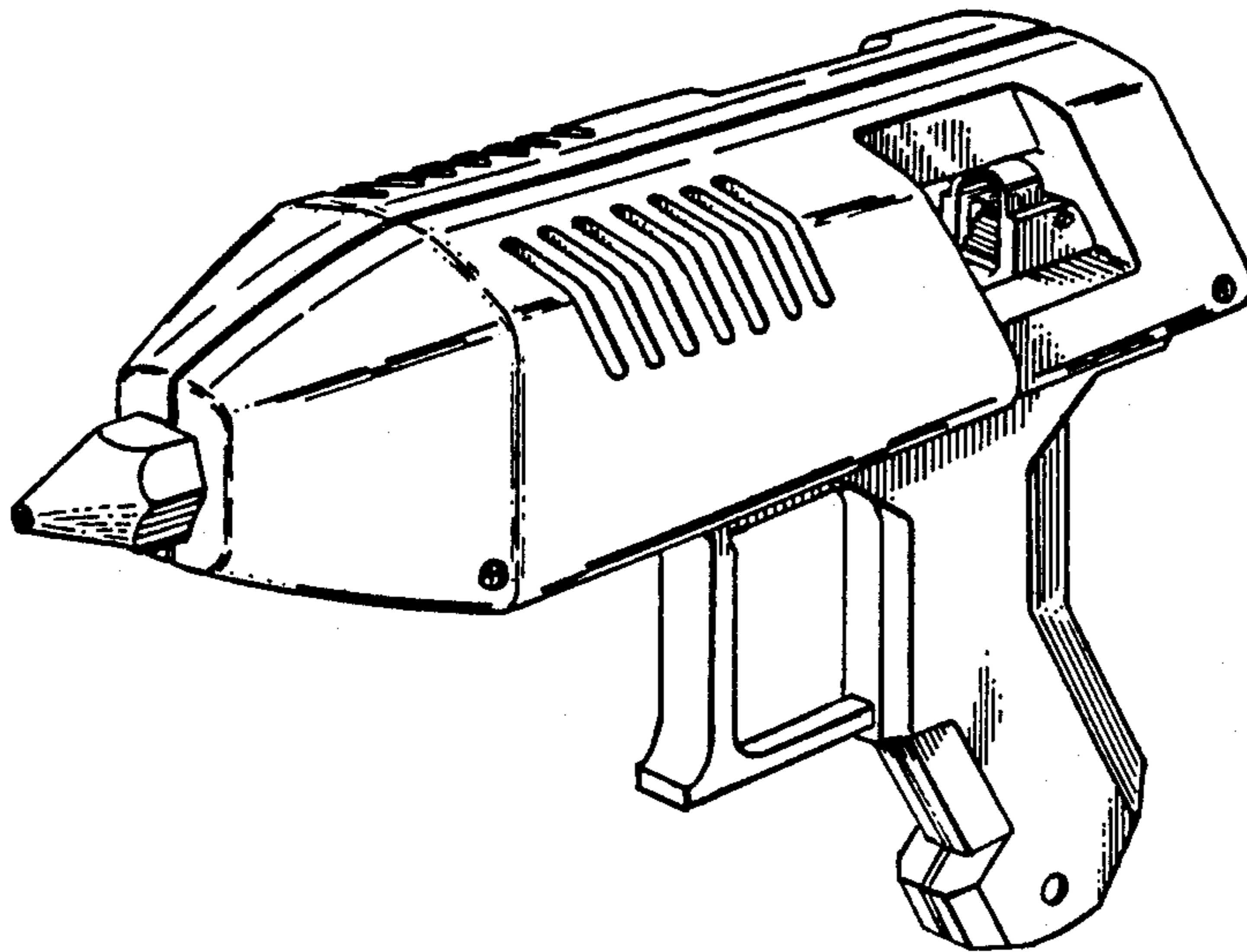


Fig. 1

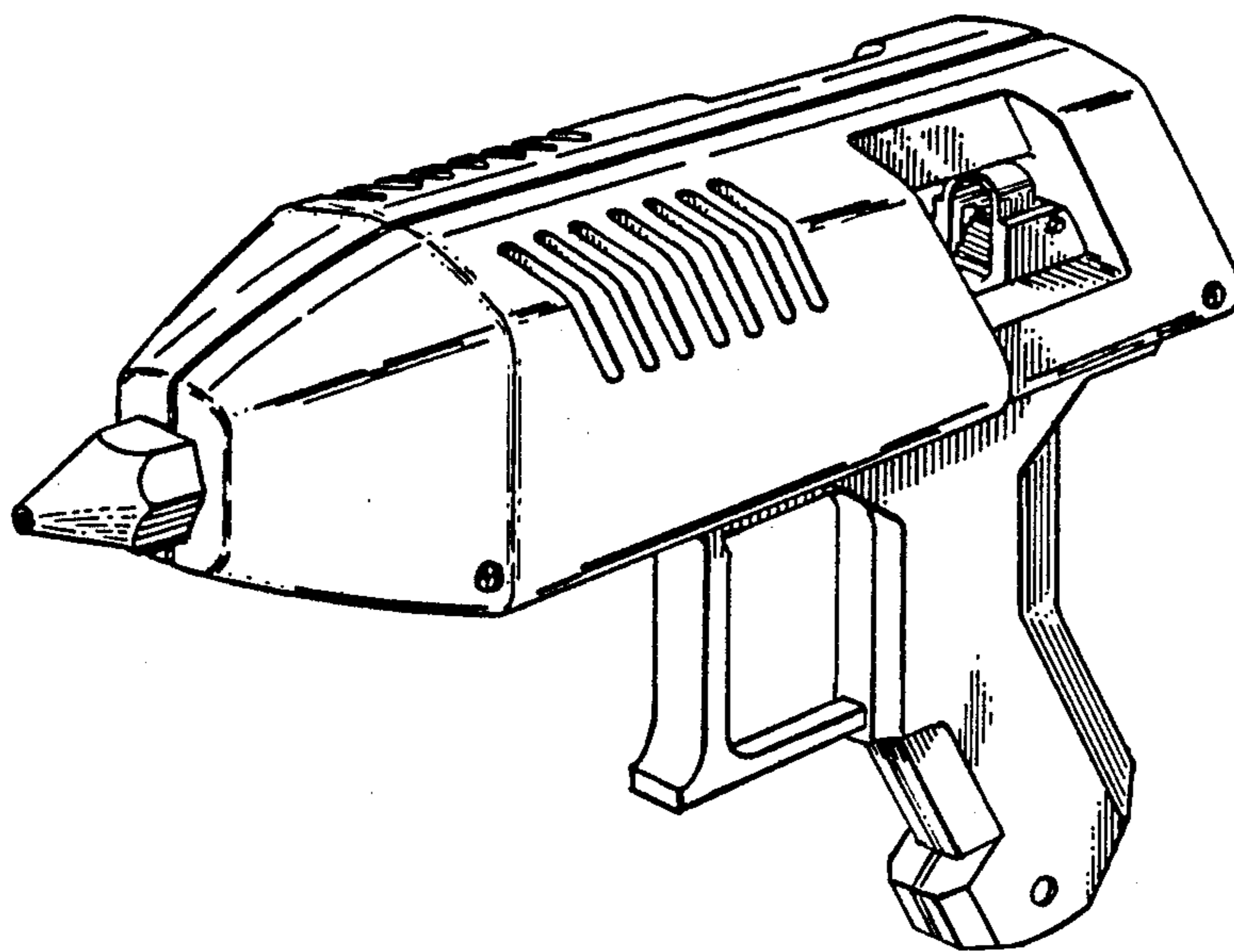


Fig. 2

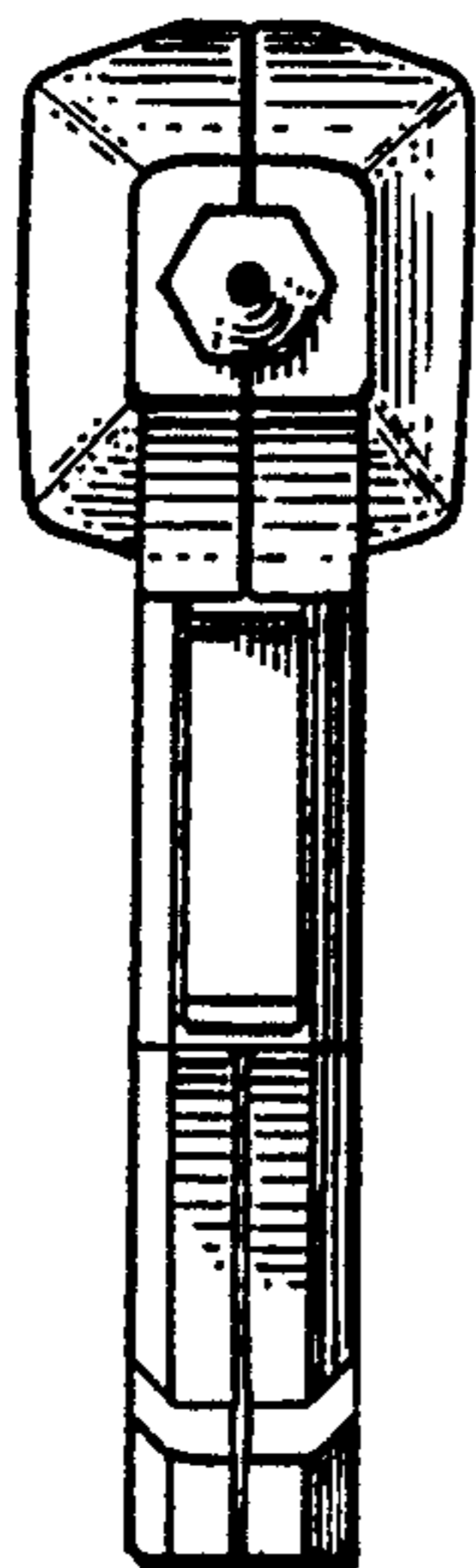


Fig. 3

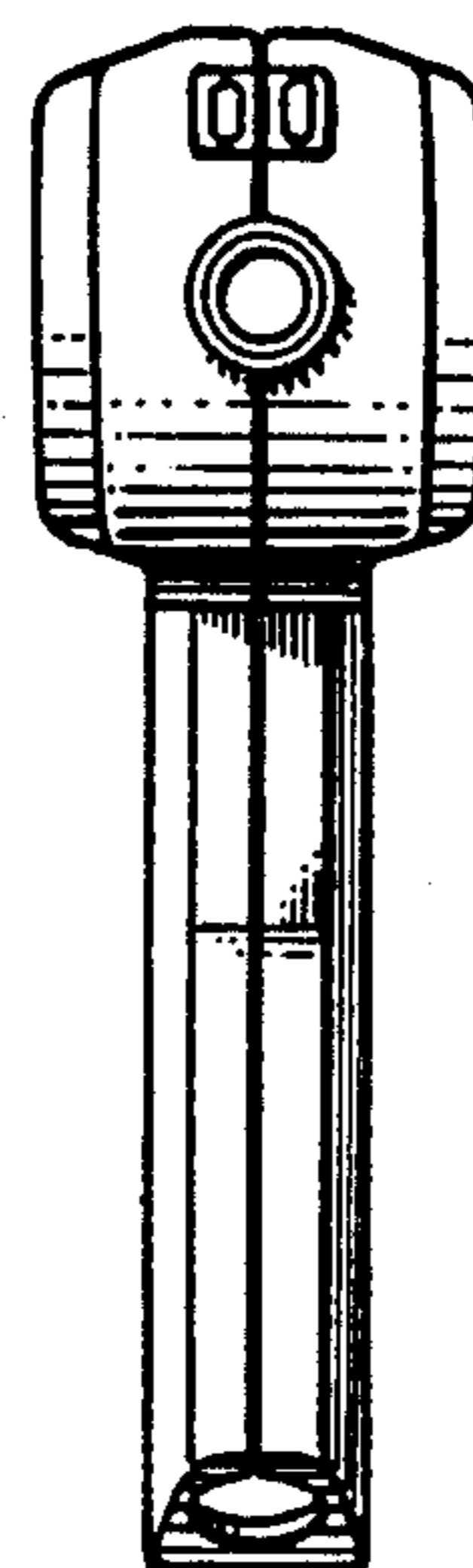


Fig. 4

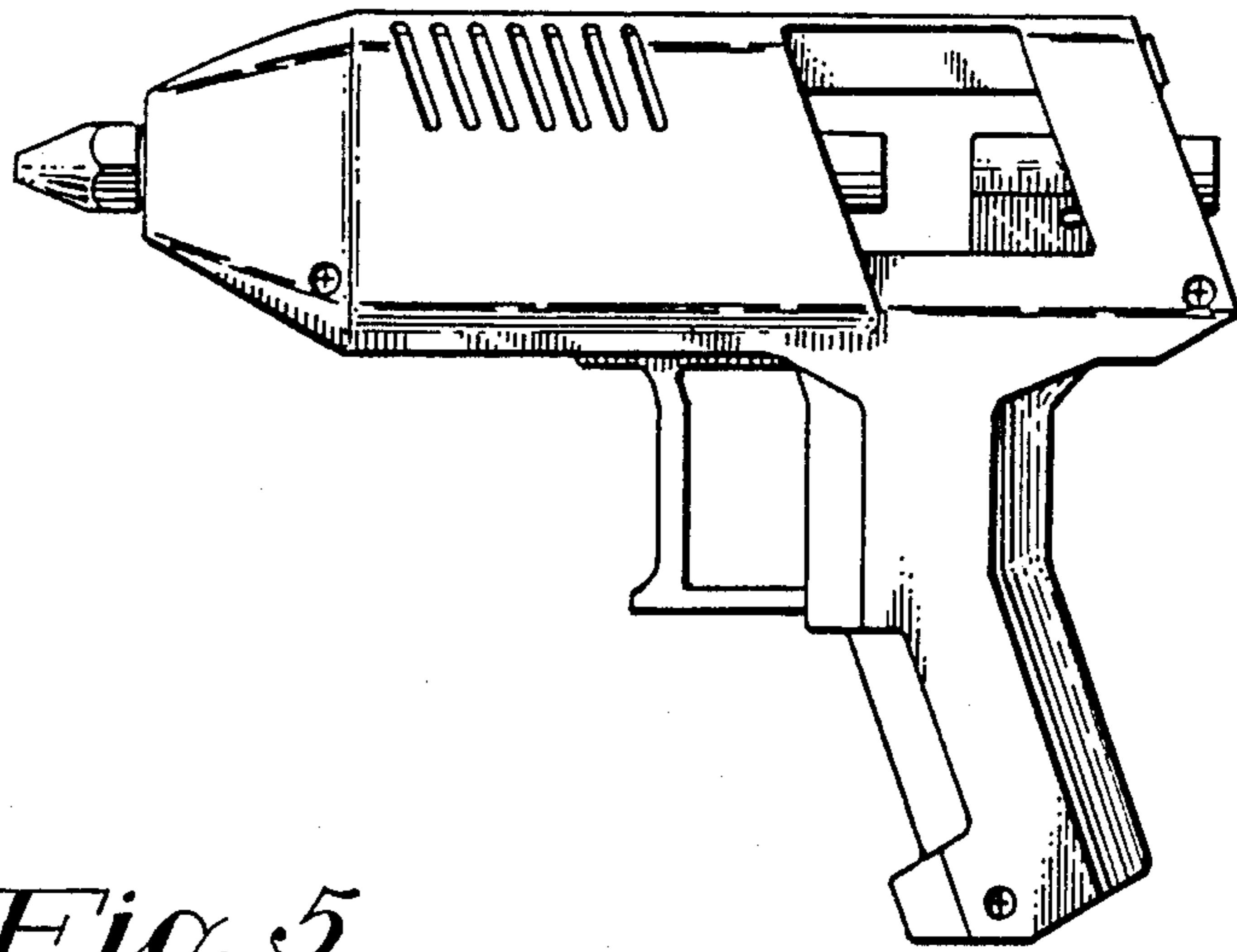


Fig. 5

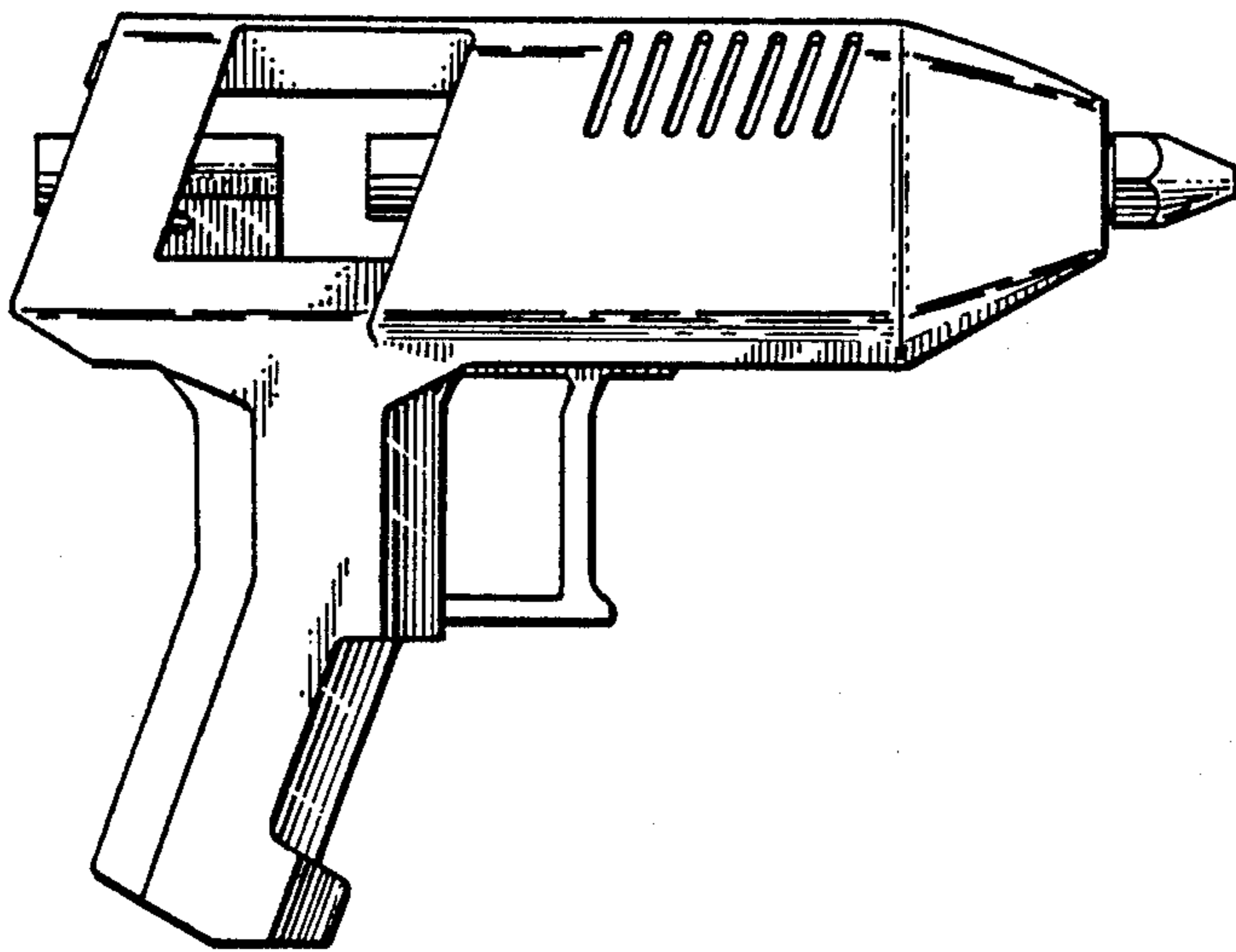


Fig. 6

