

United States Patent [19]

Sarnoff et al.

[11] Patent Number: **Des. 297,298**

[45] Date of Patent: **** Aug. 23, 1988**

[54] MICROWAVE DISH COVER

[75] Inventors: **Norton Sarnoff, Northbrook; Carl R. Fletcher, Arlington Heights, both of Ill.**

[73] Assignee: **Ensar Corporation, Wheeling, Ill.**

[**] Term: **14 Years**

[21] Appl. No.: **847,009**

[22] Filed: **Mar. 27, 1986**

[52] U.S. Cl. **D7/391; D9/435**

[58] Field of Search **D7/40, 325, 391, 392; D9/435; 220/306, 367**

4,398,077 8/1983 Freedman et al. 219/10.55 E
4,486,640 12/1984 Bowen et al. 219/10.55 E
4,530,344 7/1985 Iyengar et al. D7/40 X
4,532,397 7/1985 McClelland D7/325 X

OTHER PUBLICATIONS

The Micro-Cook Catalog, 1980 Catalog, p. 2, Item C "Family Popper", and Item D Dry Popper.

Primary Examiner—Winifred E. Herrmann
Attorney, Agent, or Firm—Lee & Smith

[57] **CLAIM**

The ornamental design for a microwave dish cover, as shown and described.

[56] **References Cited**

U.S. PATENT DOCUMENTS

D. 173,807 1/1955 Livermore D7/391
D. 180,546 7/1957 Coon D7/391
777,609 12/1904 Deane 220/306
2,415,613 2/1947 Sulak D7/391 X
3,995,710 5/1976 Comisso 220/367

DESCRIPTION

FIG. 1 is a perspective view of a microwave dish cover showing our new design;

FIG. 2 is a side elevational view thereof, the opposite side elevational view being a mirror image thereof;

FIG. 3 is a top plan view thereof; and

FIG. 4 is a bottom plan view thereof.

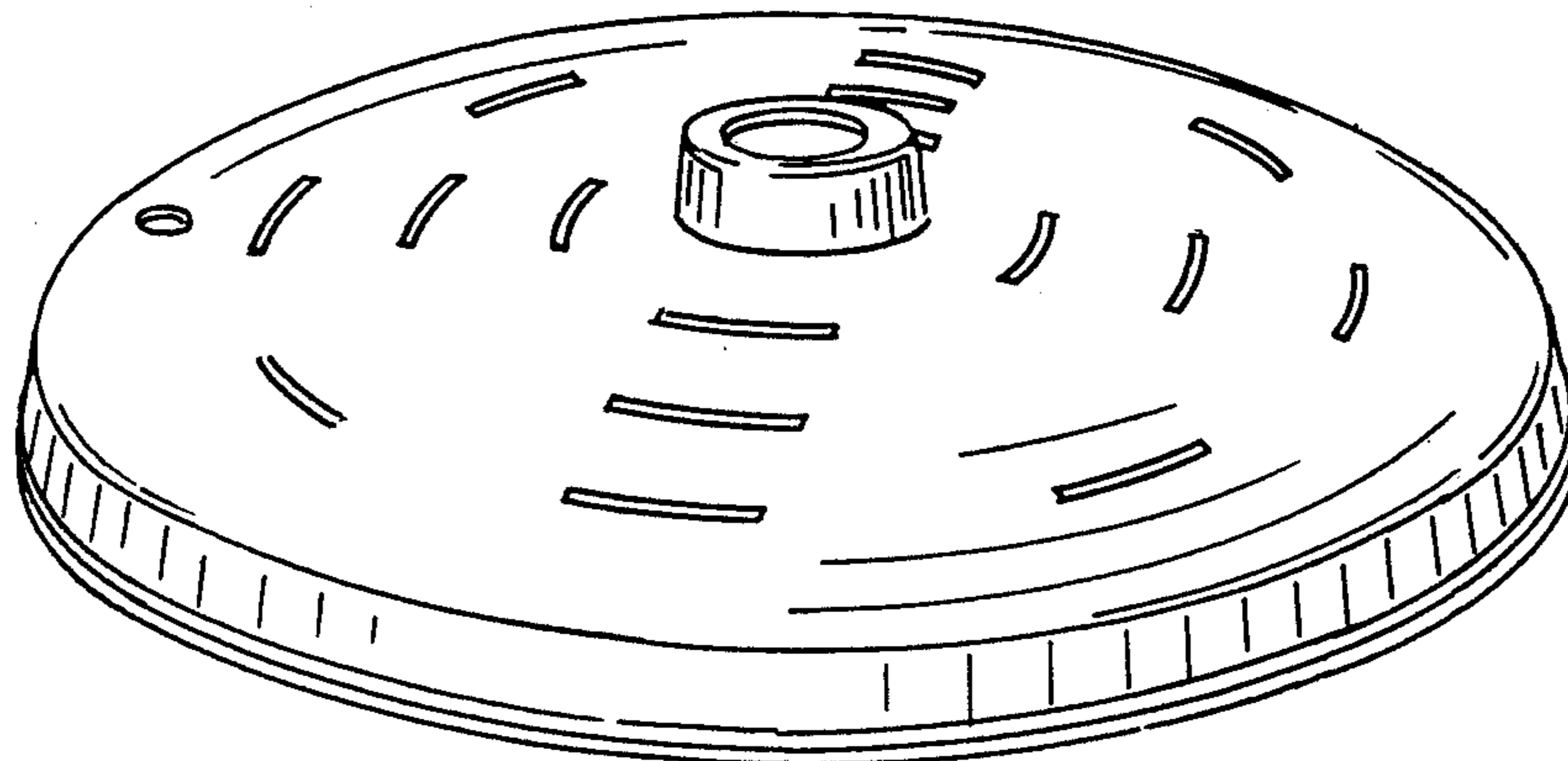


FIG. 1.

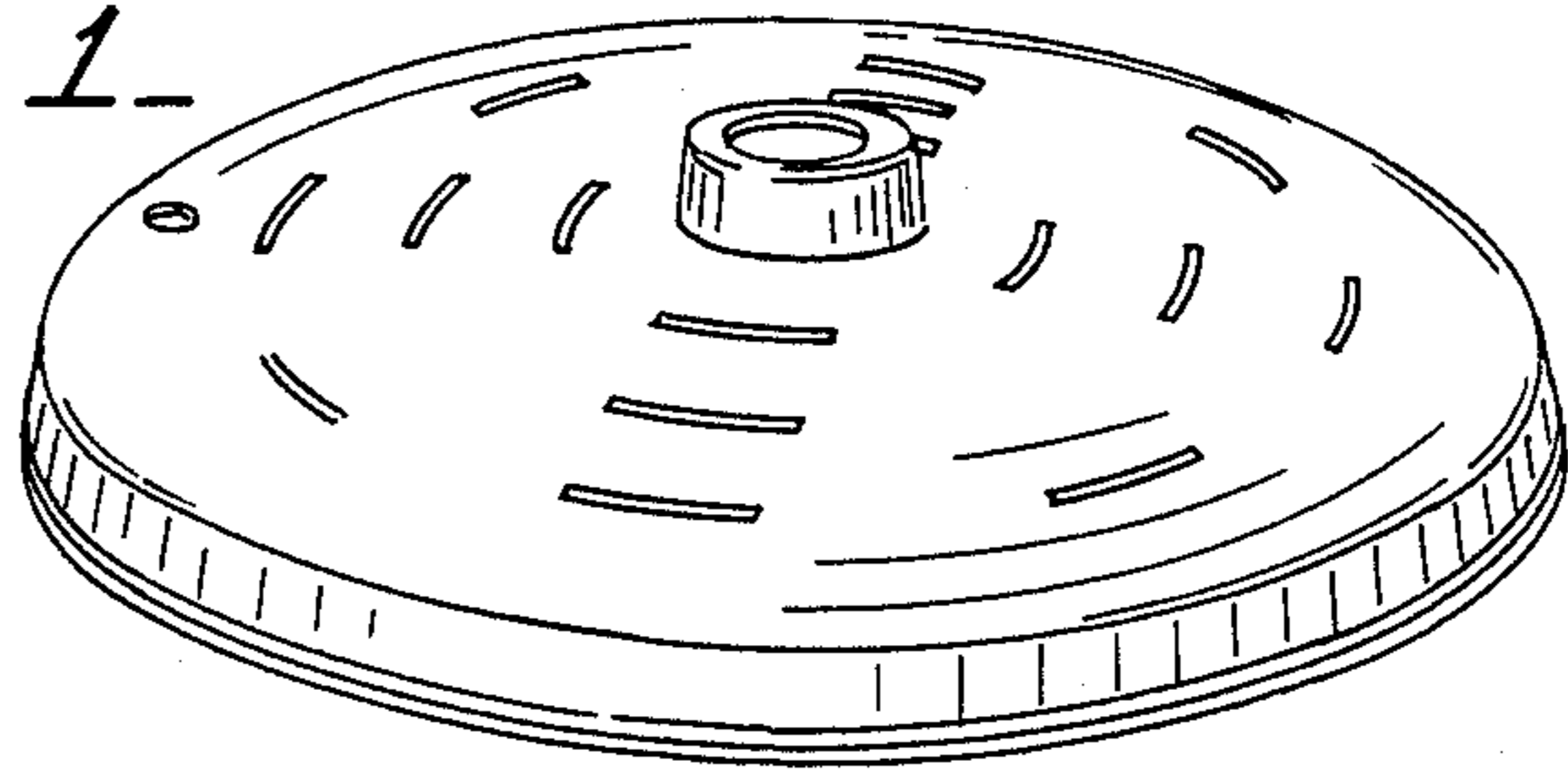


FIG. 2.



FIG. 3.

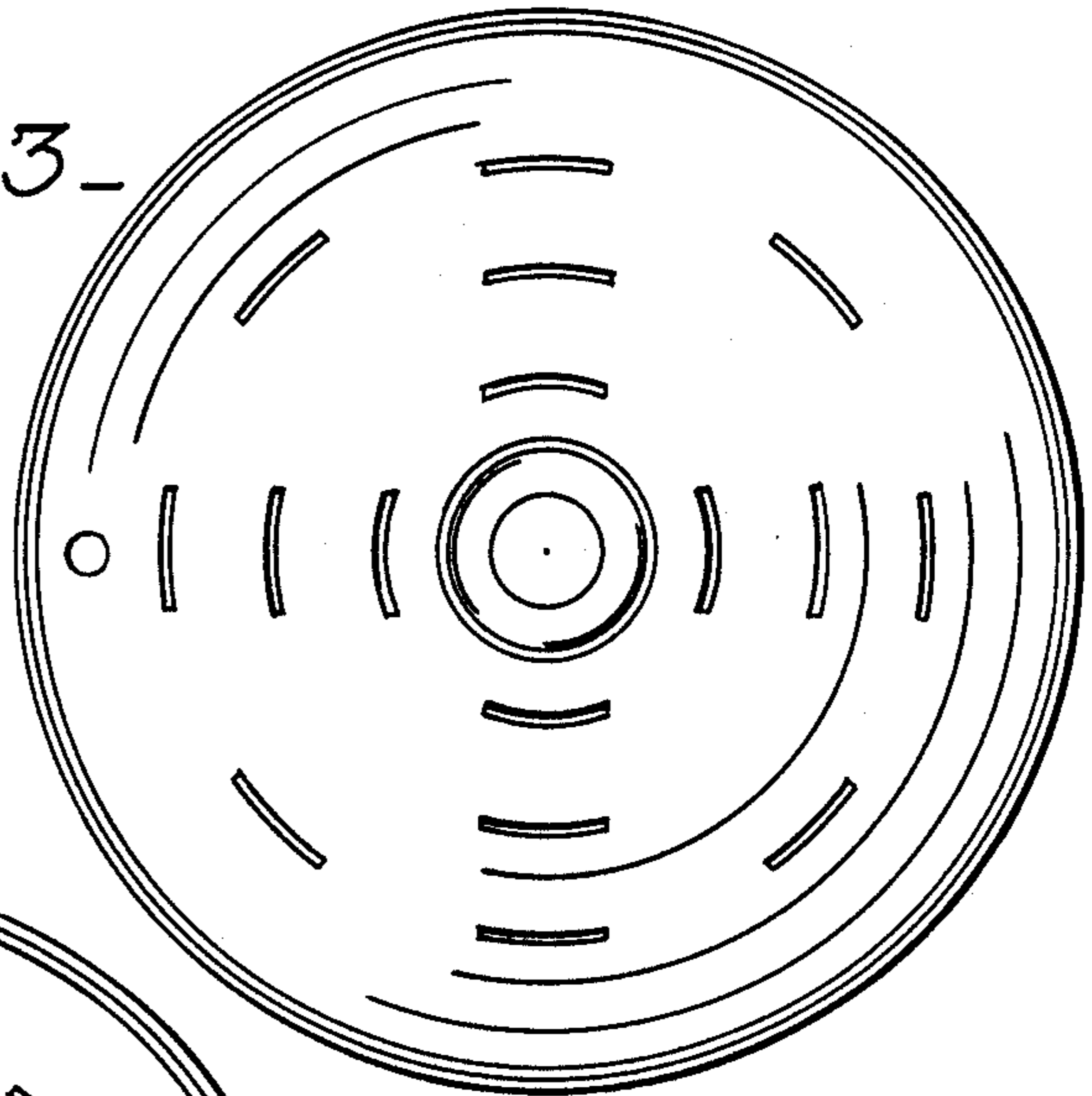


FIG. 4.

