

[54] INSULATED FLASK

[75] Inventor: Ole Palsby, Copenhagen, Denmark

[73] Assignee: Carl Zitzmann GmbH & Co.,
Wertheim, Fed. Rep. of Germany

[**] Term: 14 Years

[21] Appl. No.: 813,627

[22] Filed: Dec. 26, 1985

[30] Foreign Application Priority Data

Jun. 25, 1985 [IB] Int'l Pat. Institute DM/005 450

[52] U.S. Cl. D7/317; D7/319

[58] Field of Search D7/300, 312, 316-322,
D7/309

[56] References Cited

U.S. PATENT DOCUMENTS

D. 259,613	6/1981	Sun	D7/318
D. 286,732	11/1986	Darnell	D7/319
2,993,629	7/1961	Ruhnke	D7/312 X
4,064,795	12/1977	Ackerman	D7/309 X
4,140,252	2/1979	Karlen	D7/312 X
4,629,866	12/1986	Proctor	D7/318 X

Primary Examiner—Winifred E. Herrmann
Attorney, Agent, or Firm—Antonelli, Terry & Wands

[57] CLAIM

The ornamental design for an insulated flask, as shown and described.

DESCRIPTION

FIG. 1 is a front elevational view of an insulated flask showing my new design;
 FIG. 2 is a right side elevational view thereof, the left side elevational view is a mirror image;
 FIG. 3 is a rear elevational view thereof;
 FIG. 4 is a top plan view thereof;
 FIG. 5 is a bottom plan view thereof;
 FIG. 6 is a partial cross-sectional view thereof taken on line 6—6 of FIG. 4 with the stopper or plug shown in full side elevation and the insulating glass liner and associated seals removed for clarity of illustration;
 FIG. 7 is a rear elevational view of a modification of my new design showing the stopper or plug with two handles instead of one; and
 FIG. 8 is a top plan view of FIG. 7, it being understood that the remaining views of the modified design not shown are similar to those in FIGS. 1-6.

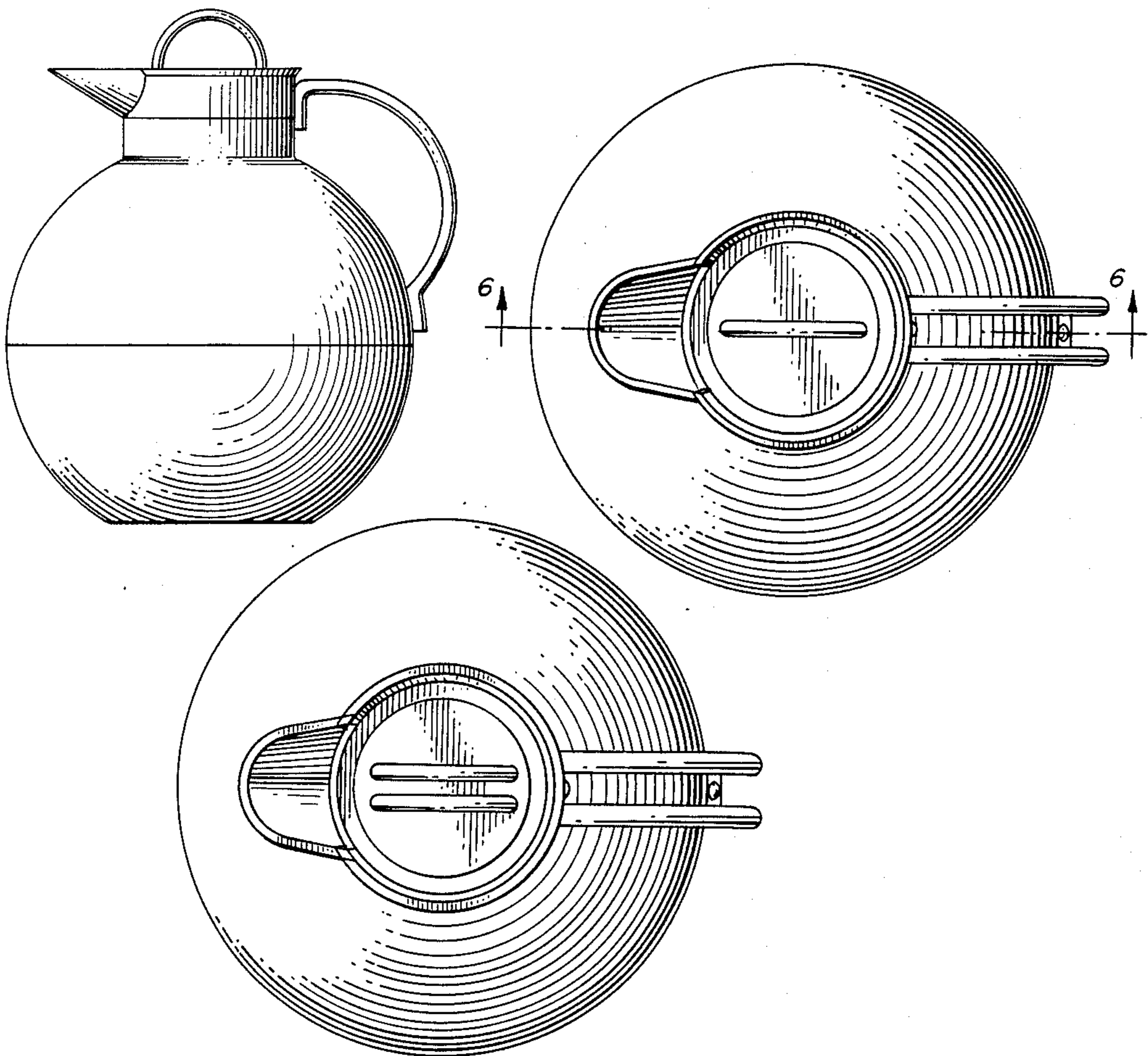


FIG. 2.

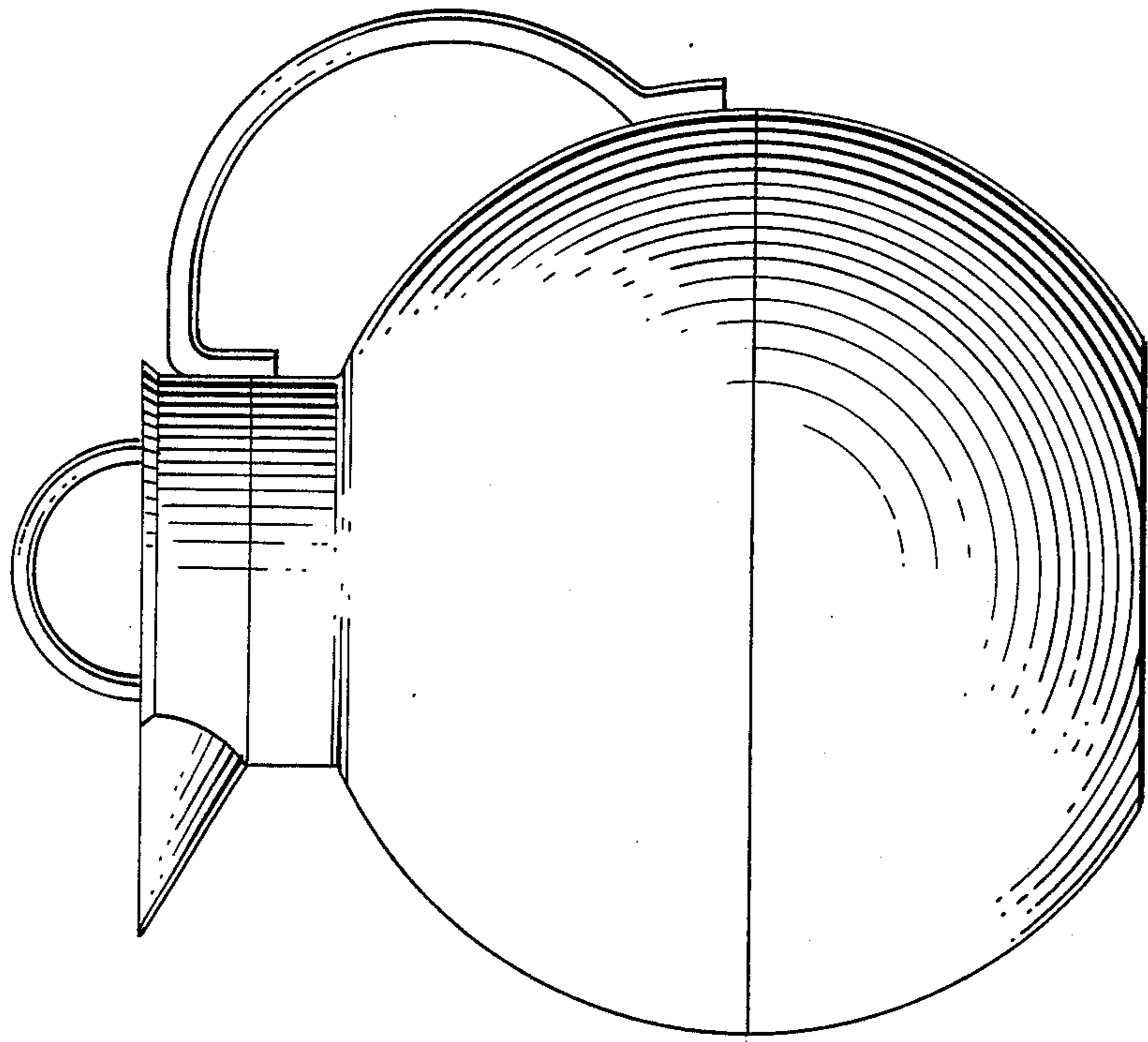


FIG. 1.

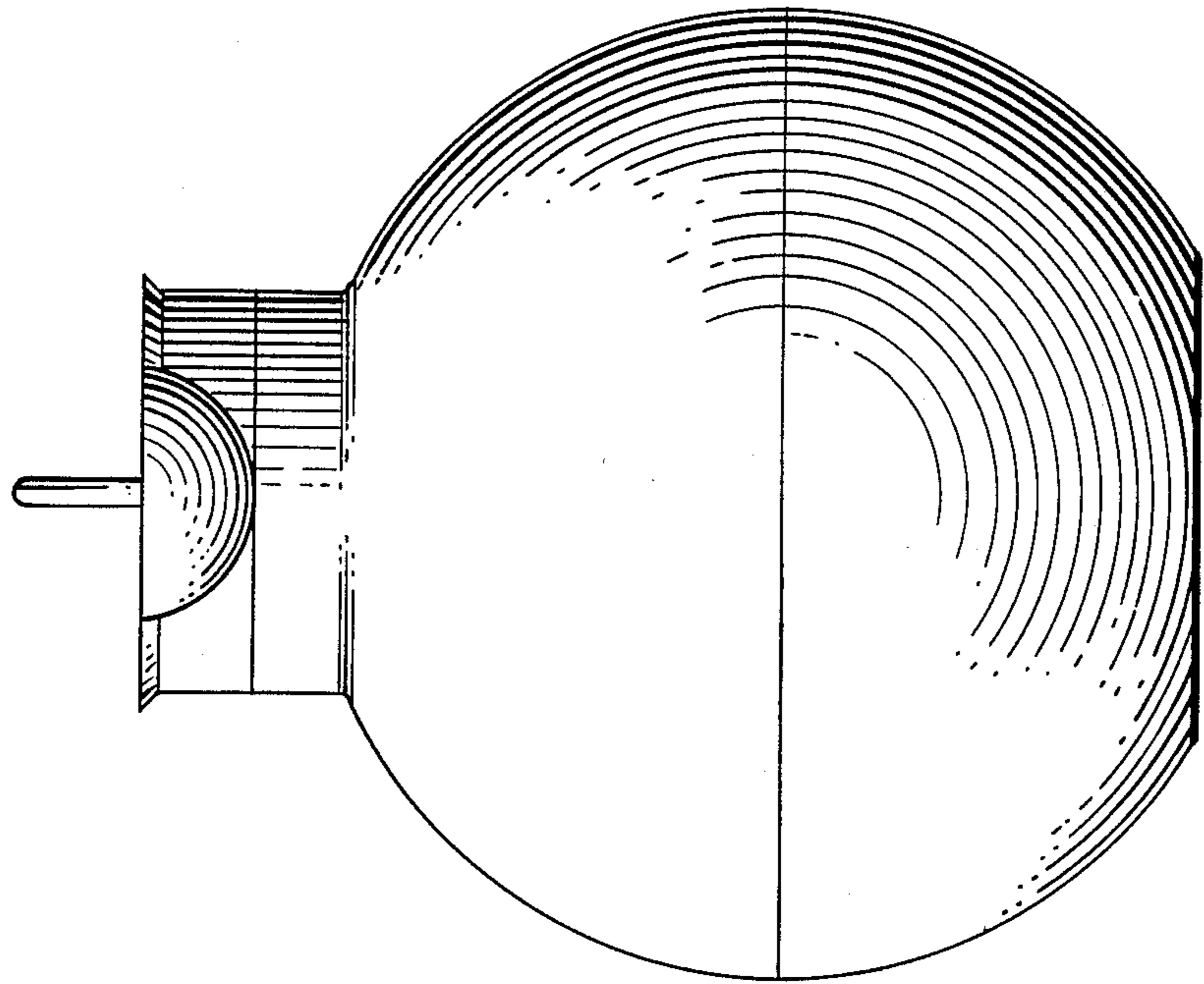


FIG. 4.

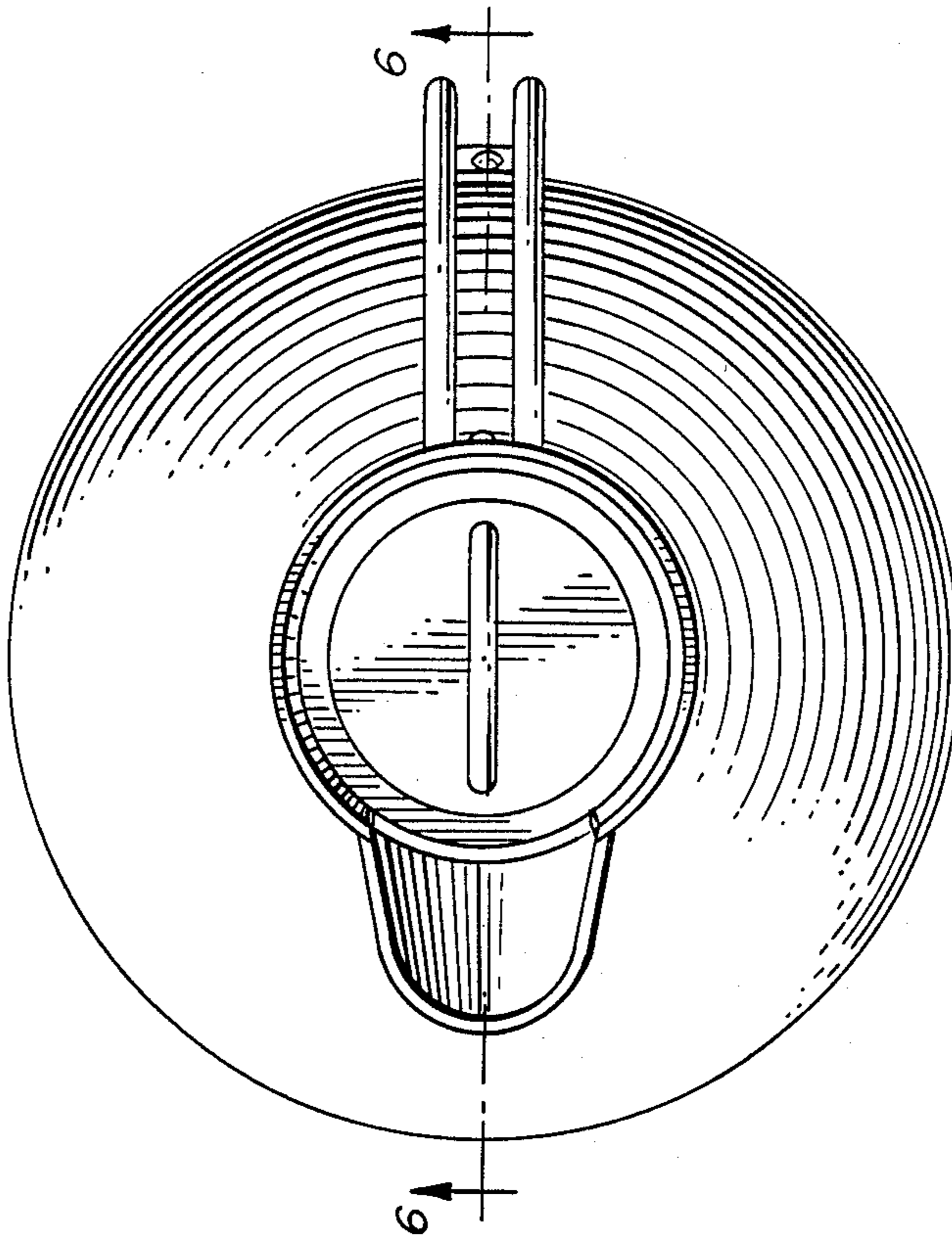


FIG. 3.

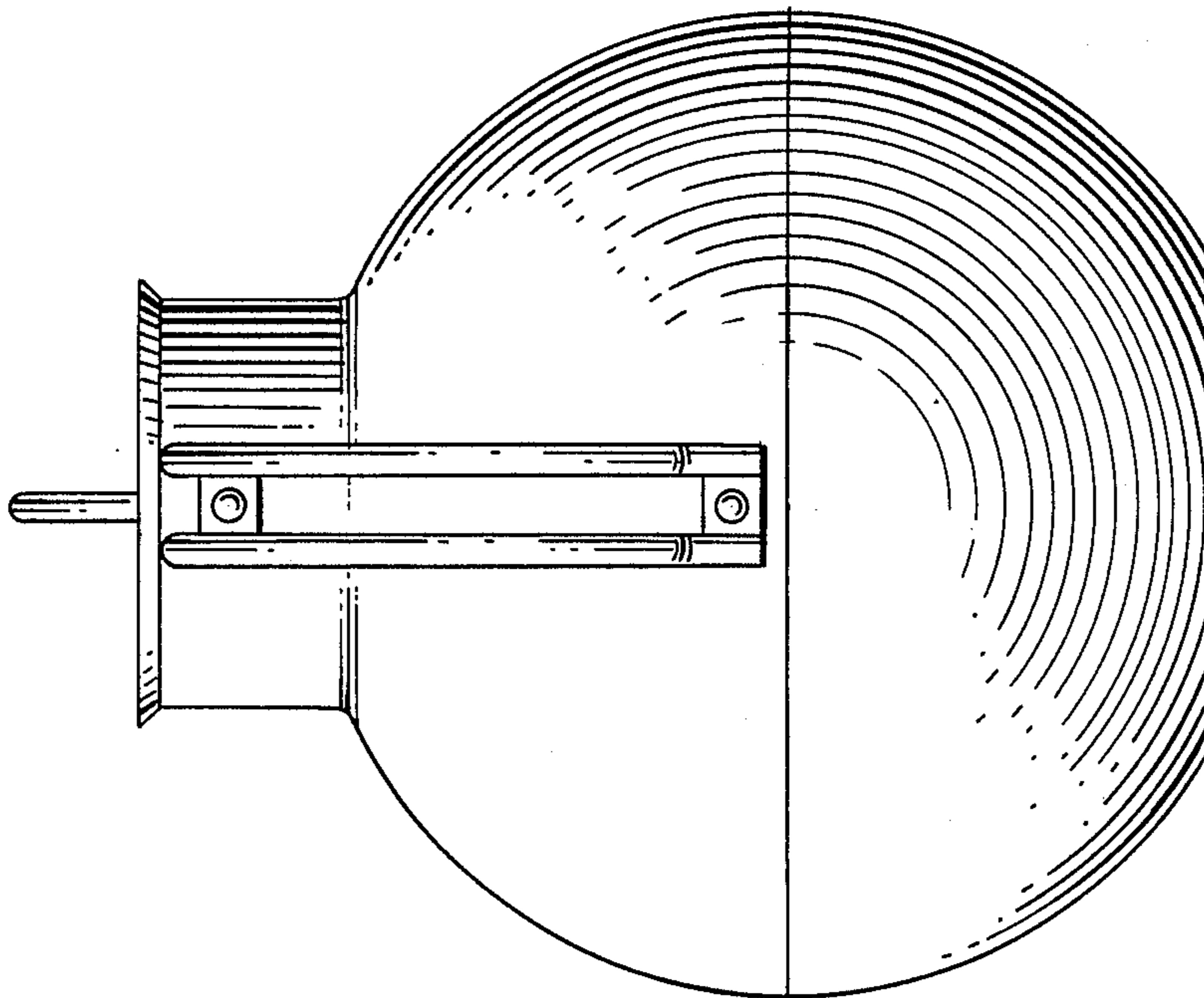


FIG. 6.

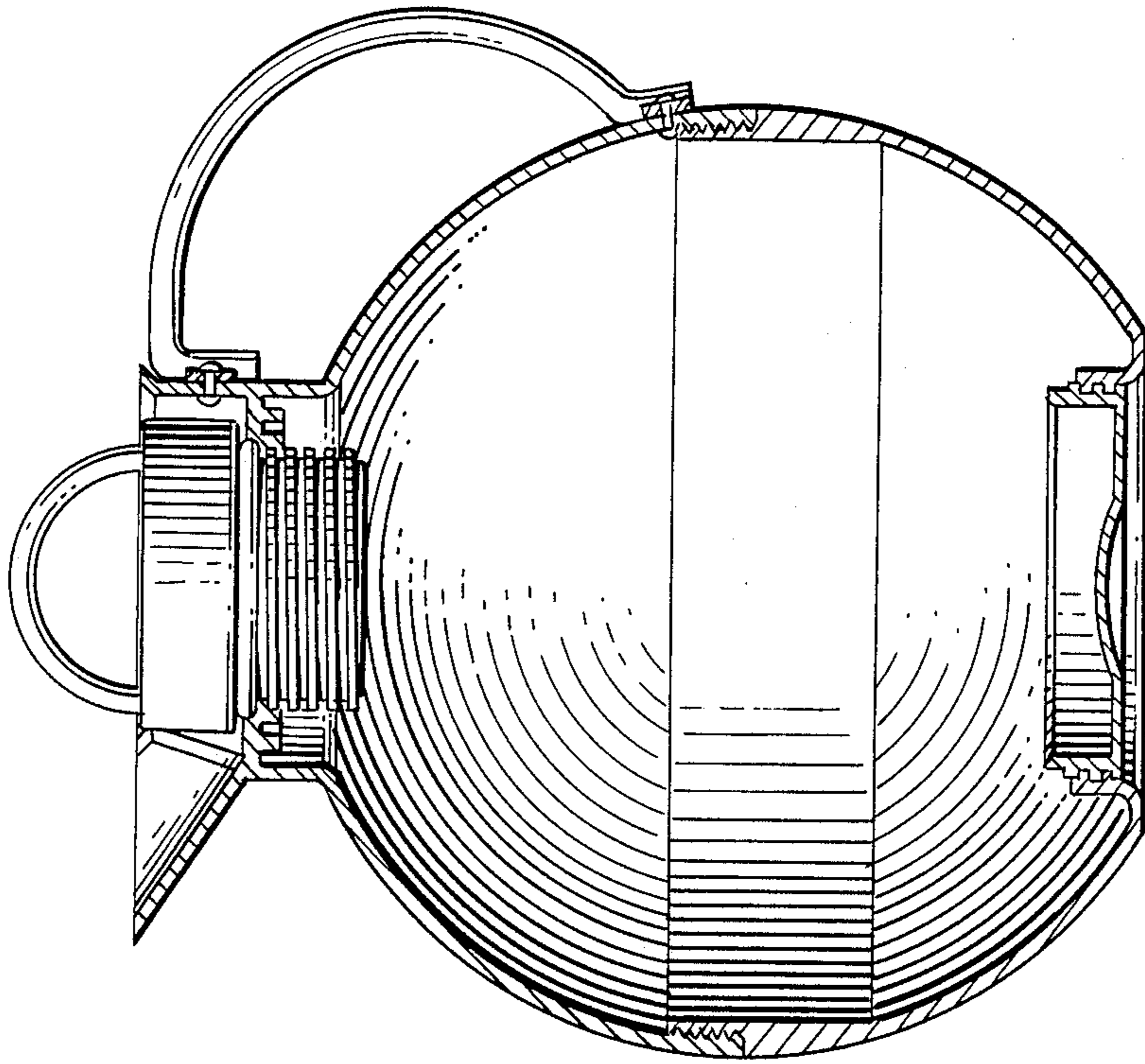


FIG. 5.

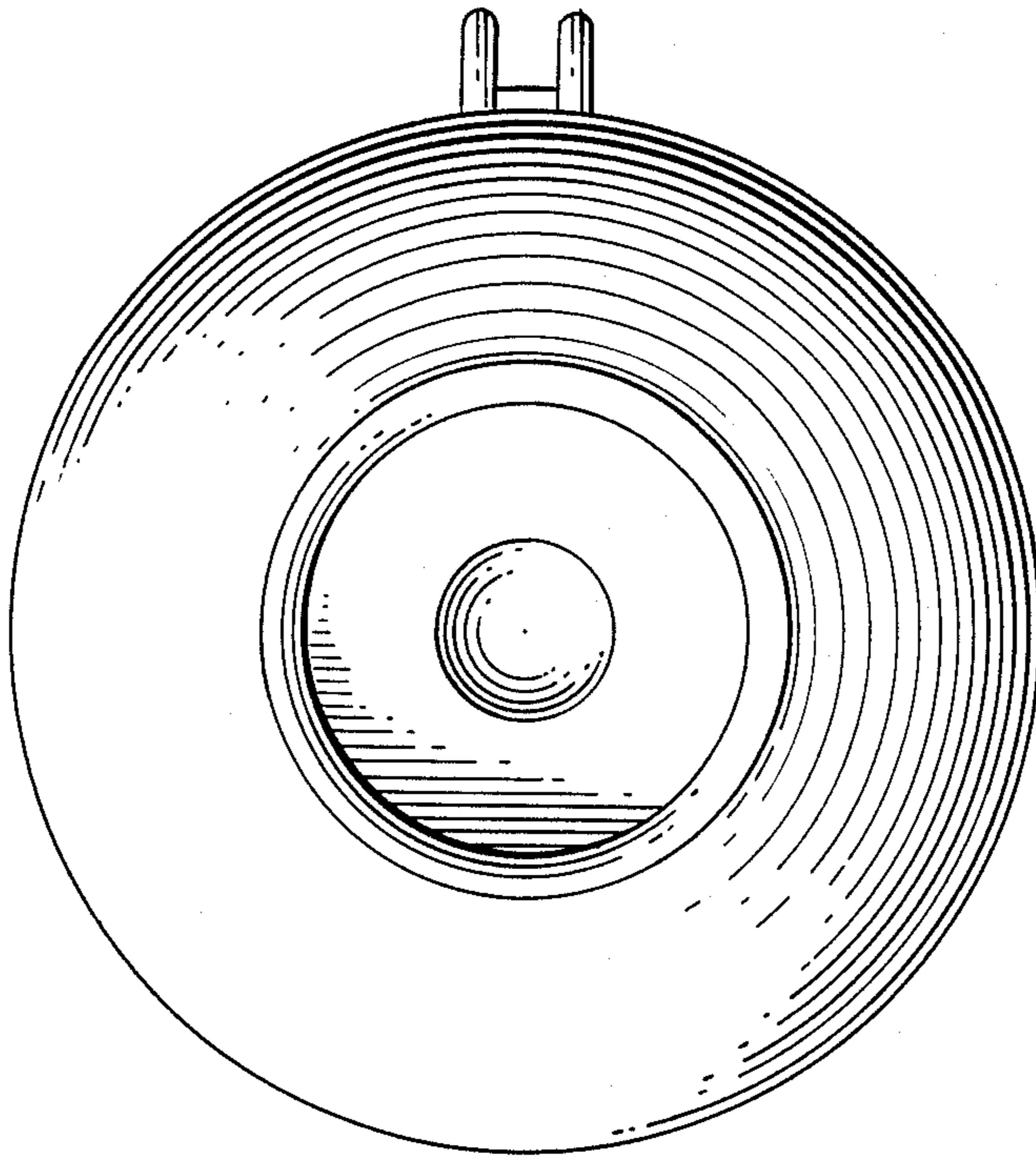


FIG. 8.

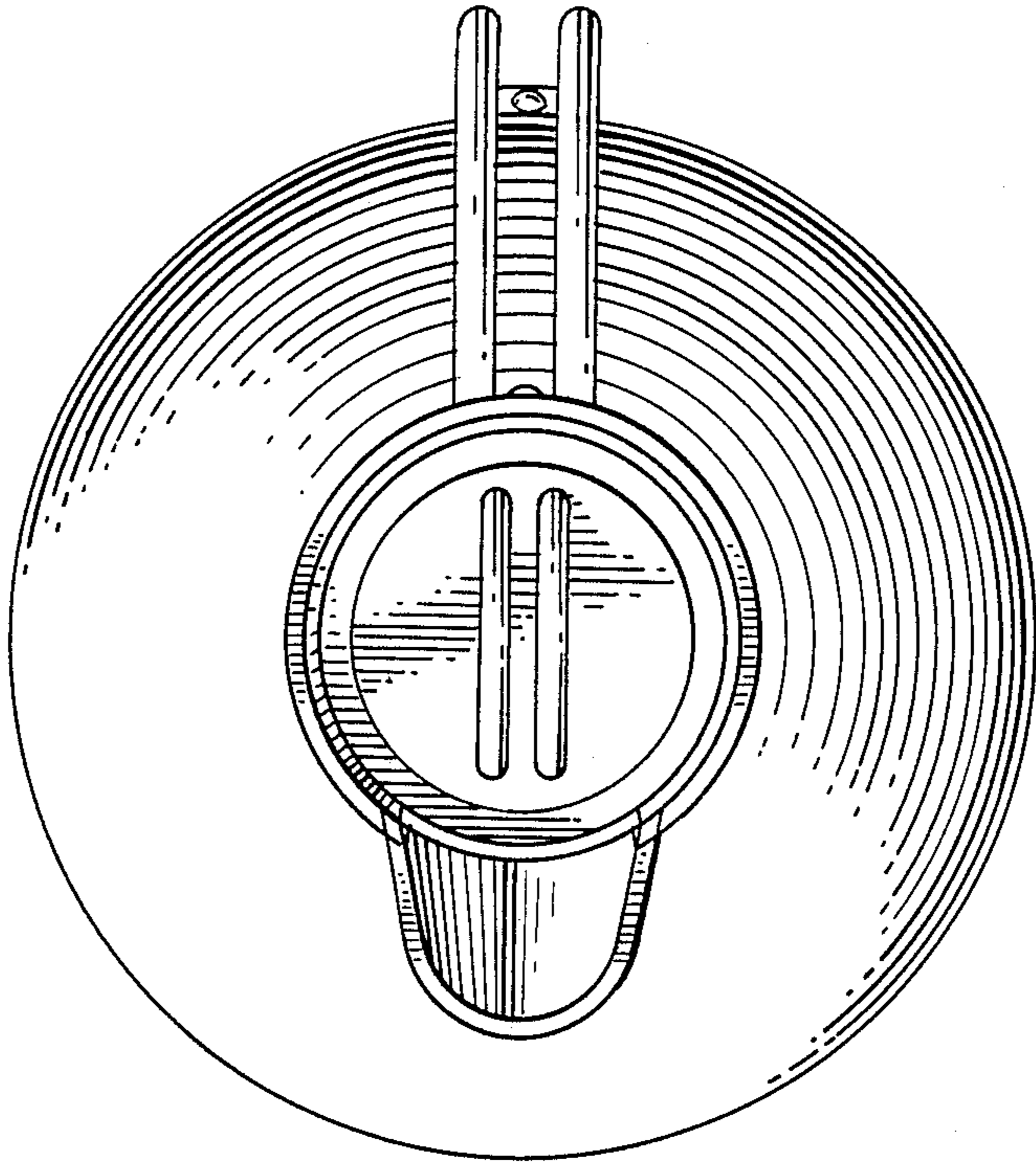


FIG. 7.

