

# United States Patent [19]

Strom

[11] Patent Number: **Des. 297,289**

[45] Date of Patent: **\*\* Aug. 23, 1988**

[54] **BED**

[76] Inventor: **Victor Strom, 50 N. Hillside Pl.,  
Ridgewood, N.J. 07450**

[\*\*] Term: **14 Years**

[21] Appl. No.: **868,343**

[22] Filed: **May 29, 1986**

[52] U.S. Cl. .... **D6/389; D6/390;  
D6/393**

[58] Field of Search ..... **D6/389, 390, 393, 505,  
D6/507; 5/200 R, 414, 451**

[56] **References Cited**

### U.S. PATENT DOCUMENTS

D. 5,950 6/1872 Fitzsimmons ..... D6/389  
D. 53,854 9/1919 Kletschka ..... D6/390

D. 58,140 6/1921 East ..... D6/390 X  
D. 67,610 6/1925 Meyer ..... D6/390 X  
D. 231,102 4/1974 Edes ..... D6/389 X  
D. 252,056 6/1979 Slaton ..... D6/389

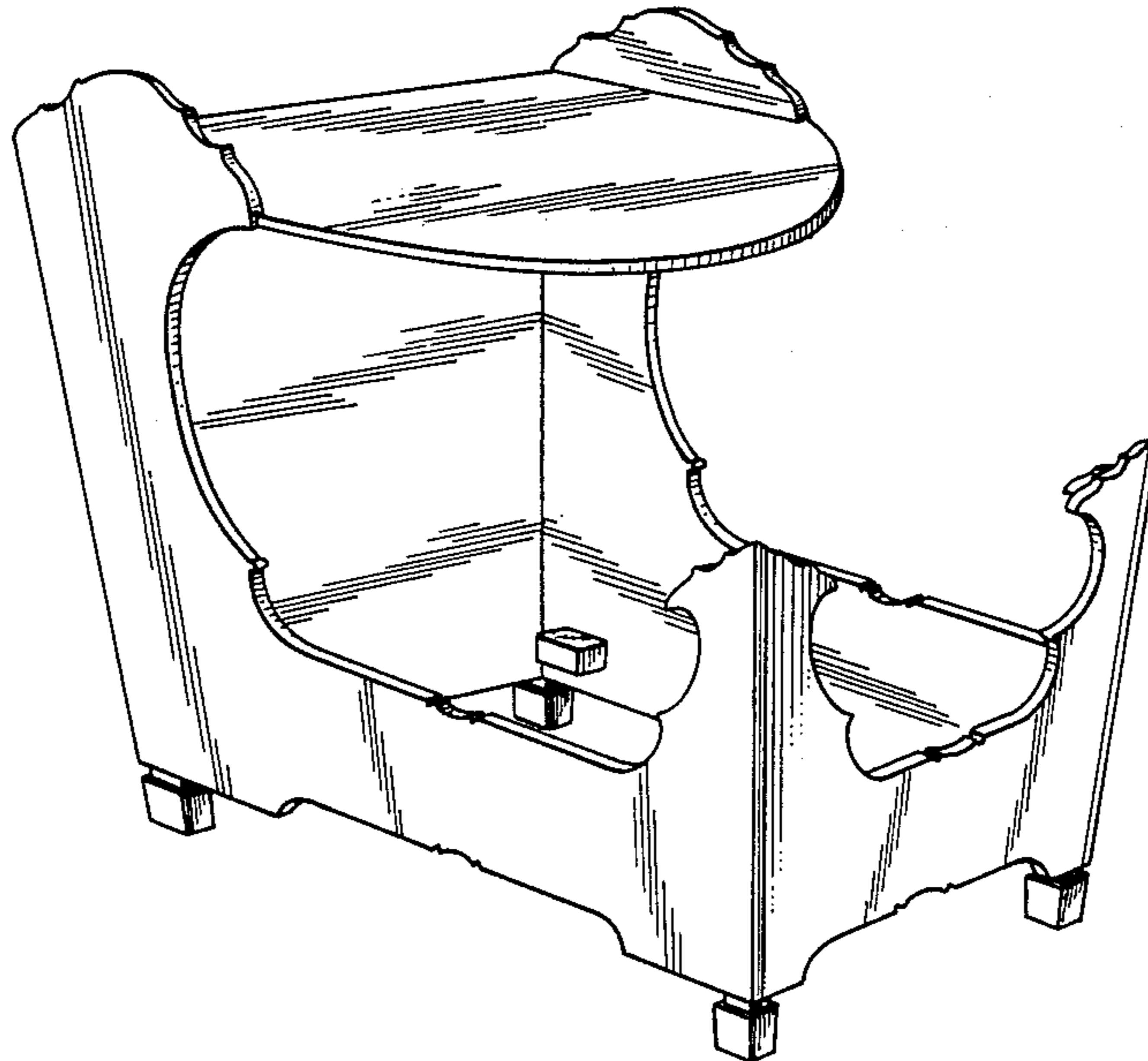
*Primary Examiner*—Bruce W. Dunkins  
*Attorney, Agent, or Firm*—Lee C. Robinson, Jr.

### [57] CLAIM

The ornamental design of a bed, substantially as shown and described.

### DESCRIPTION

FIG. 1 is a perspective view of a bed showing my new design;  
FIG. 2 is a side elevational view of the bed;  
FIG. 3 is a top view of the bed;  
FIG. 4 is an elevational view of the foot end of the bed;  
and  
FIG. 5 is an elevational view of the head end of the bed.



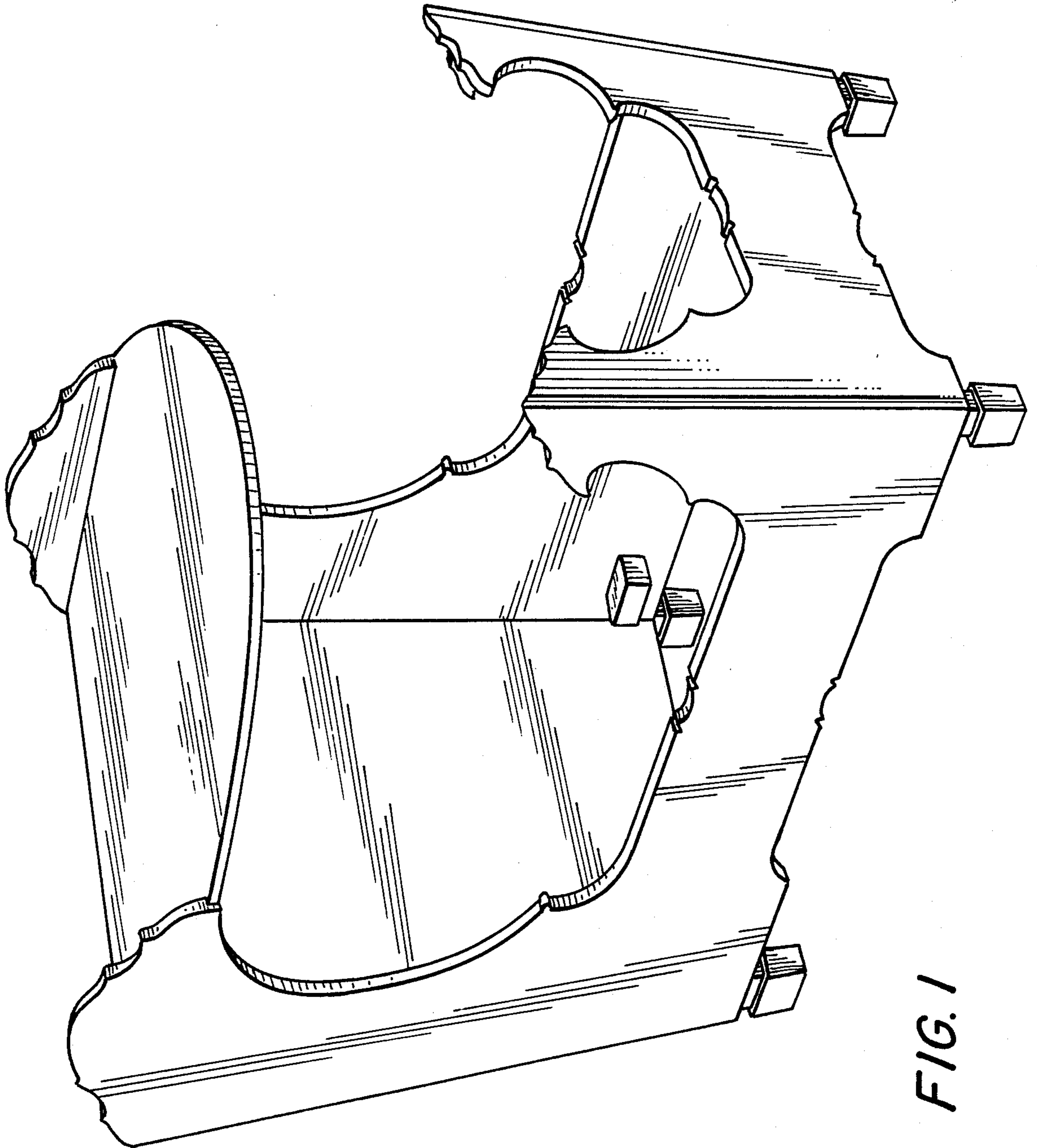


FIG. 1

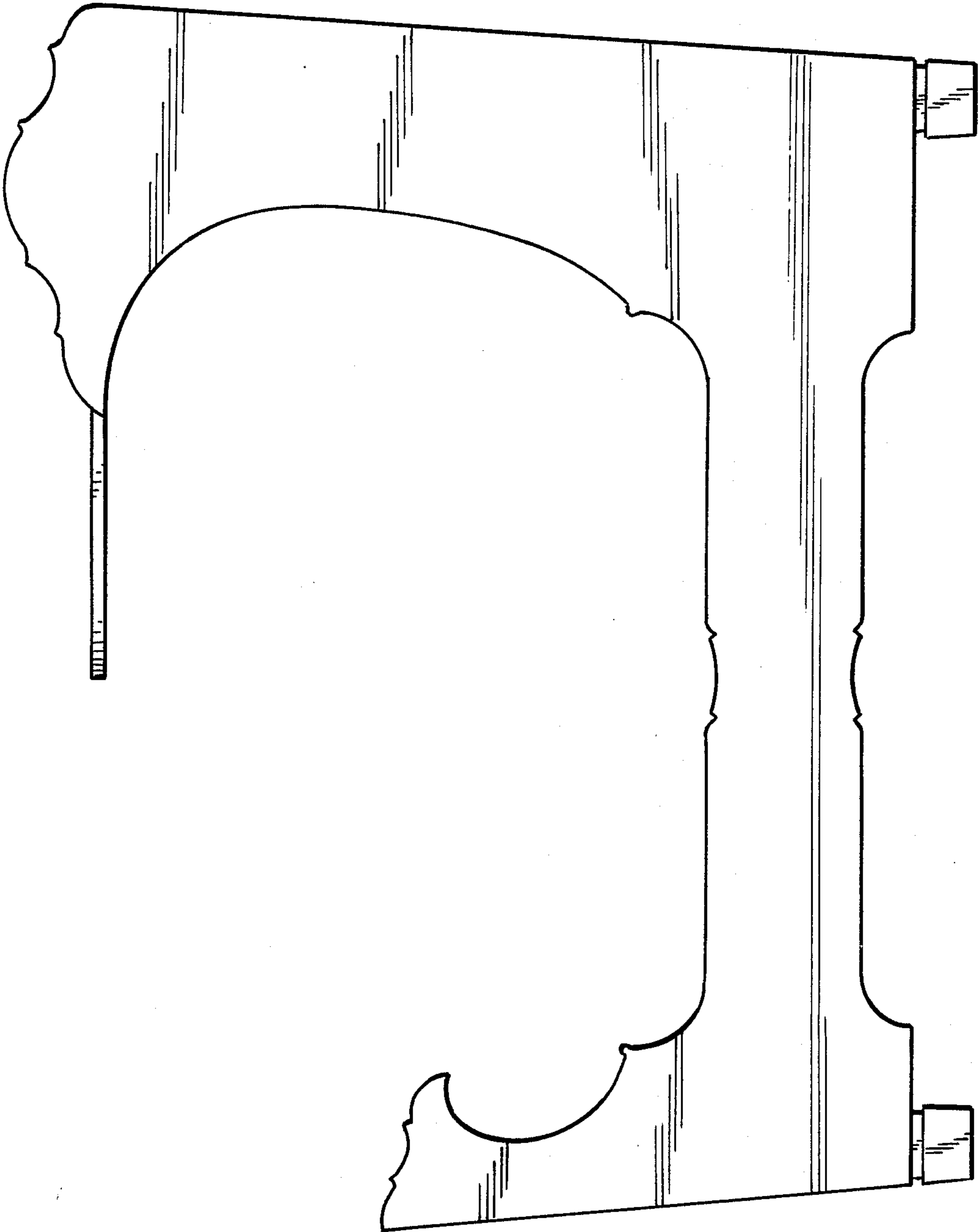


FIG. 2

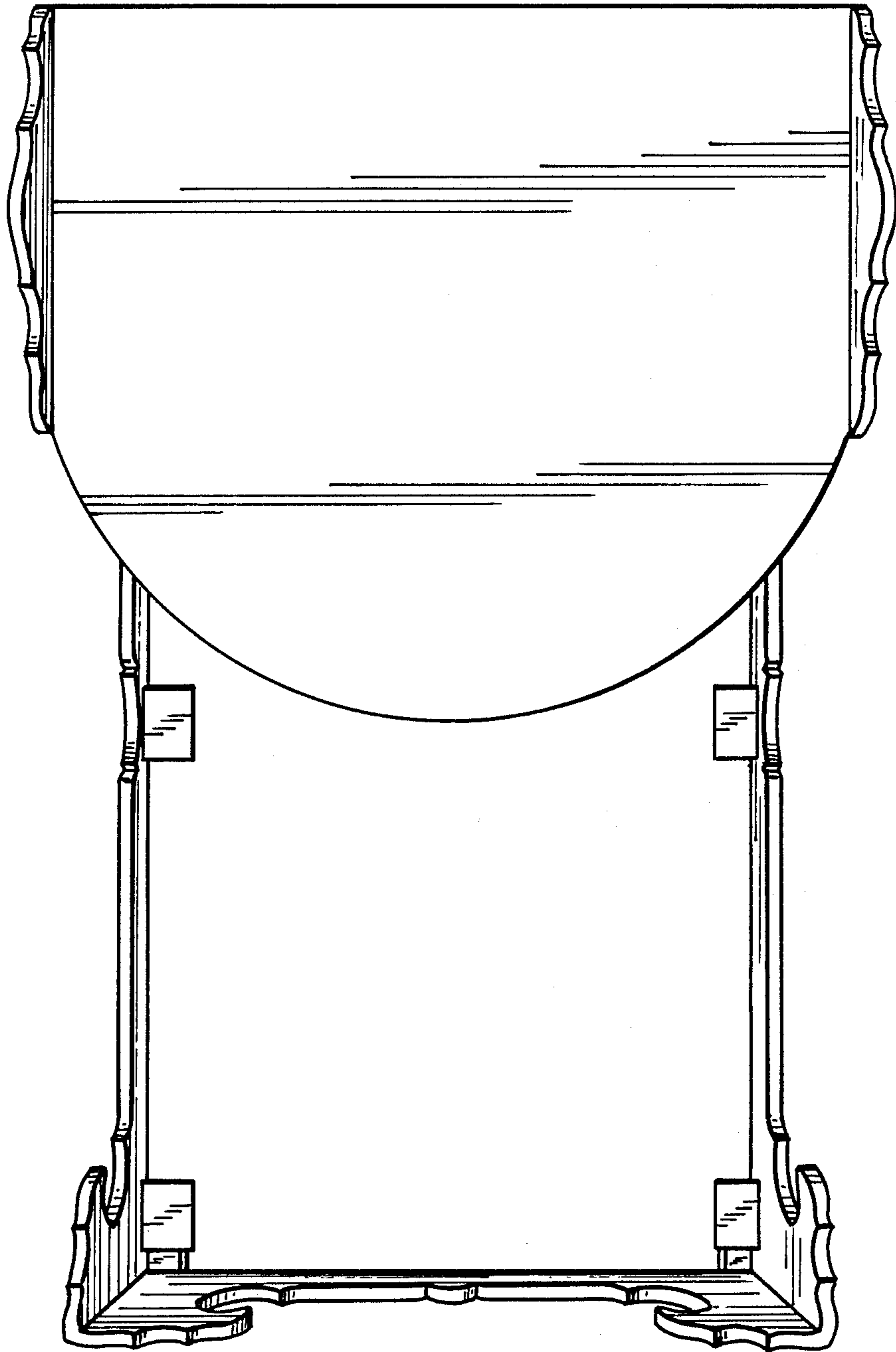
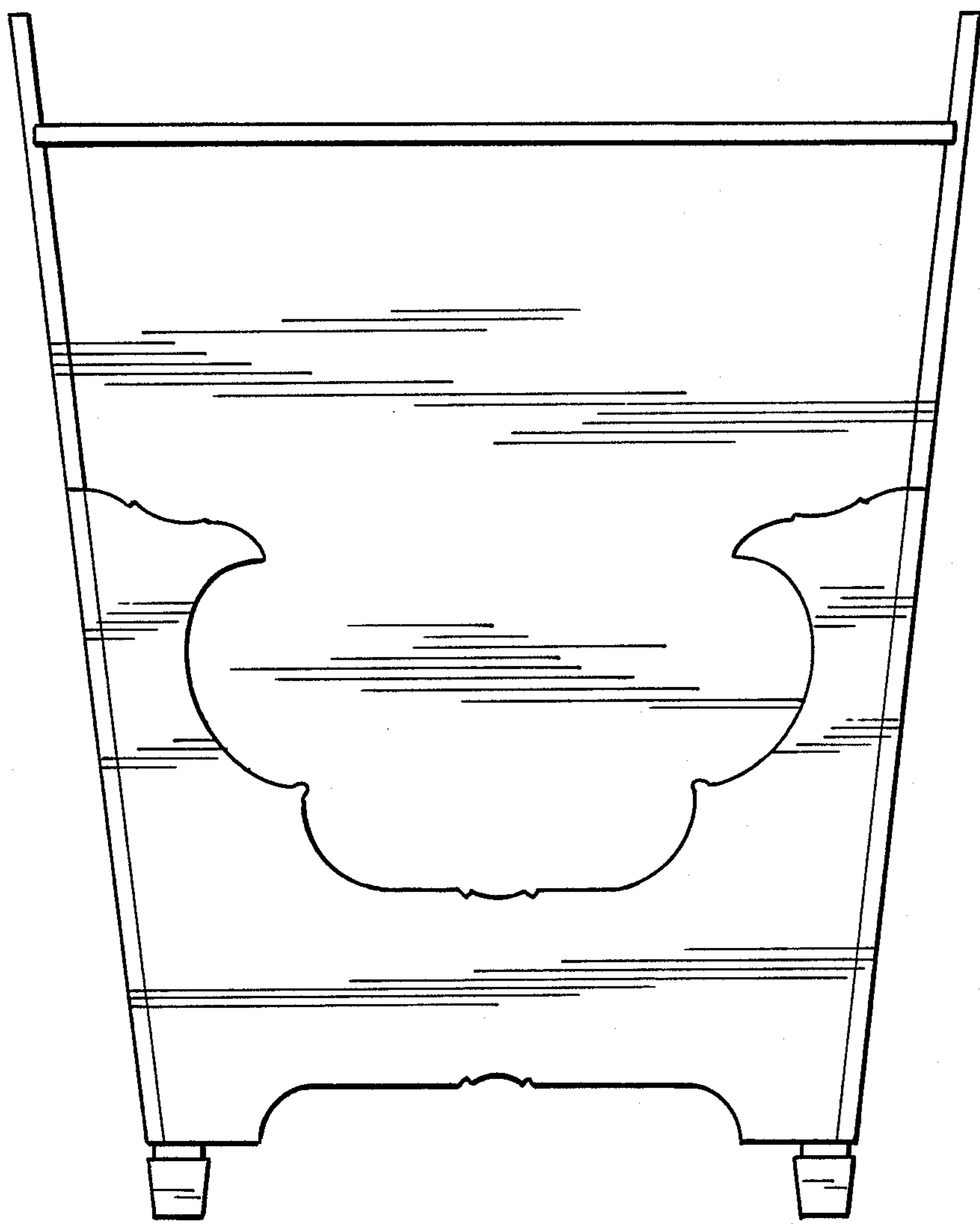
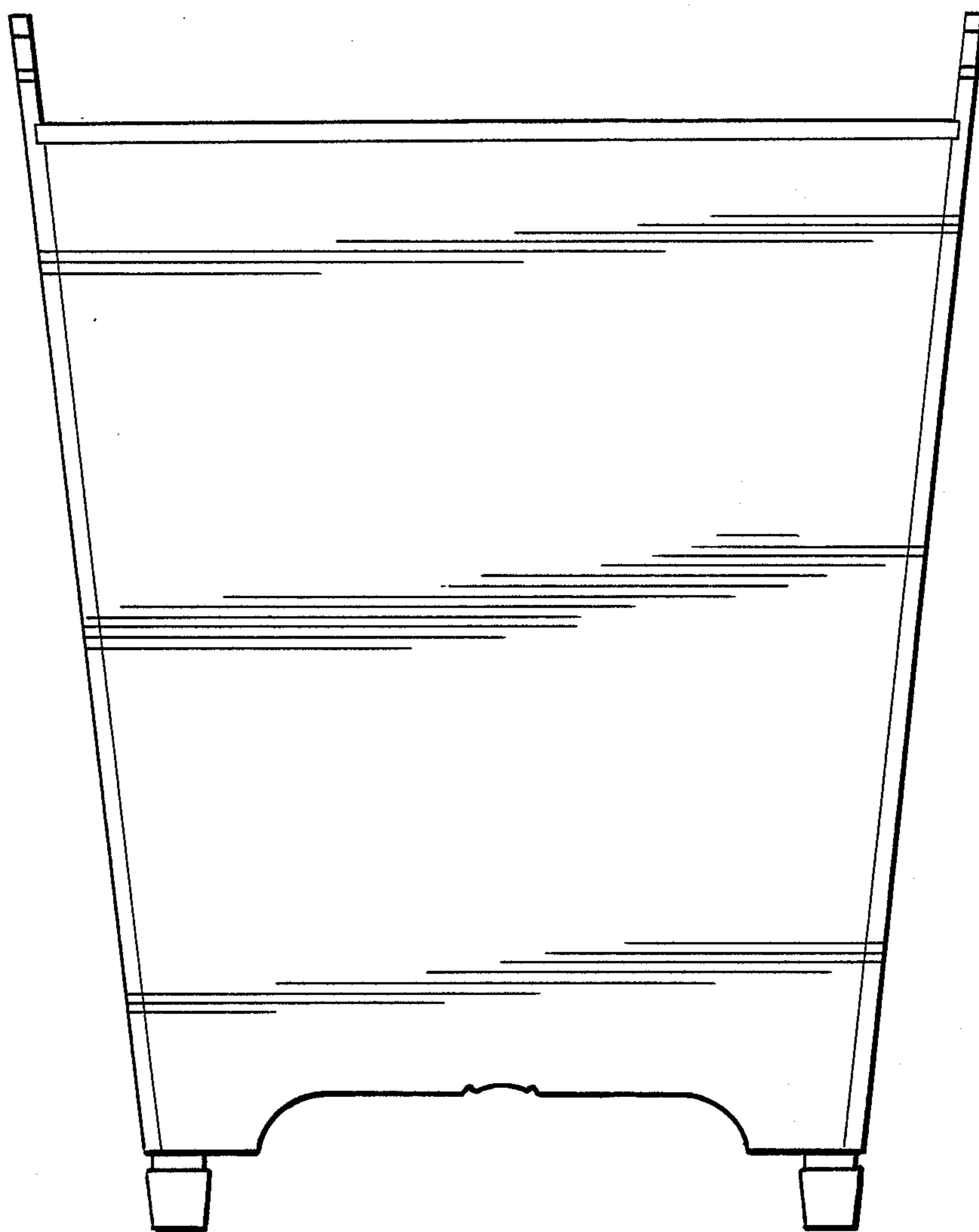


FIG. 3



*FIG. 4*



*FIG. 5*