

[54] **FRAME FOR AN ADJUSTABLE CHAISE LOUNGE**

[75] **Inventor: Gerald T. Raney, Orange, Calif.**

[73] **Assignee: Pacific Sun Casual Furniture, Inc., Hemet, Calif.**

[\*\*] **Term: 14 Years**

[21] **Appl. No.: 815,534**

[22] **Filed: Jan. 2, 1986**

[52] **U.S. Cl. .... D6/361**

[58] **Field of Search ..... D6/360, 361, 363, 371, D6/372, 373, 500, 502, 501**

[56] **References Cited**

**U.S. PATENT DOCUMENTS**

D. 279,335 6/1985 Frinier et al. .... D6/361

D. 281,560 12/1985 Murry .

D. 281,562 12/1985 Murry .

D. 281,744 12/1985 Murry ..... D6/361

D. 282,417 2/1986 Murry ..... D6/373

D. 291,749 9/1987 Conn ..... D6/361

*Primary Examiner*—Bruce W. Dunkins

*Attorney, Agent, or Firm*—Poms, Smith, Lande & Rose

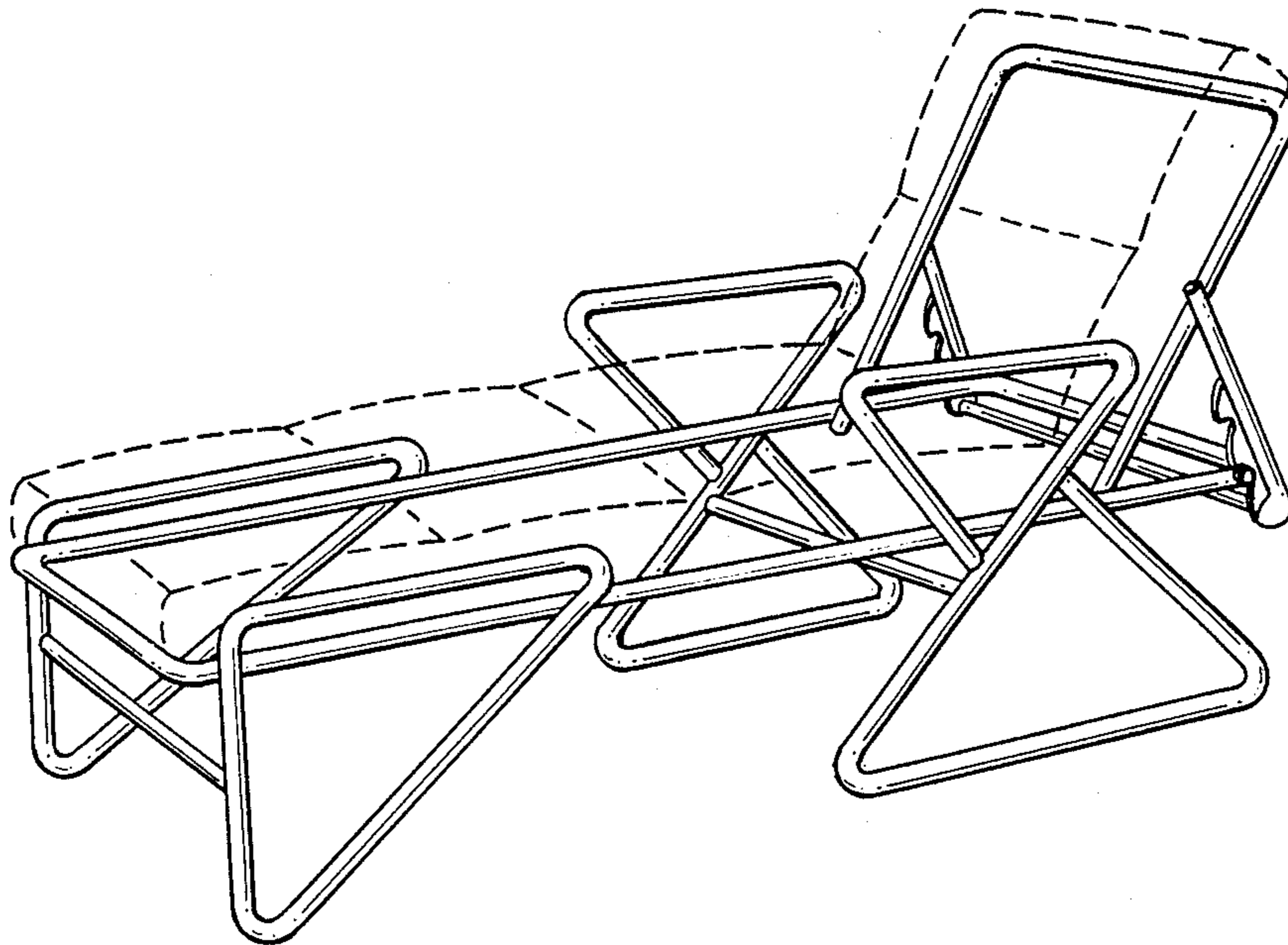
[57] **CLAIM**

The ornamental design of a frame for an adjustable chaise lounge, as shown and described.

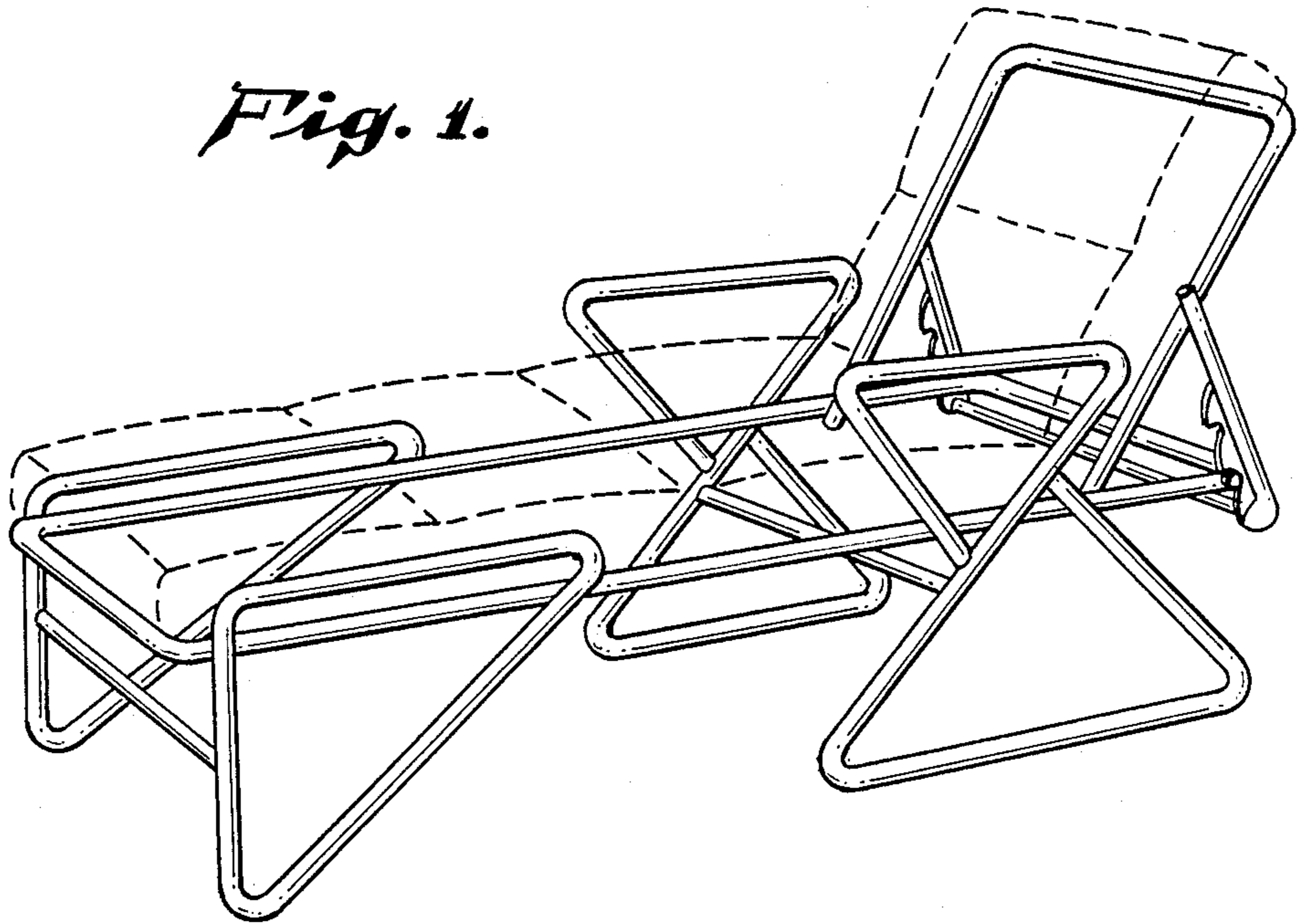
**DESCRIPTION**

FIG. 1 is a front perspective view of a frame for an adjustable chaise lounge showing my design; and FIG. 2 is a rear perspective view thereof.

The broken lines in FIGS. 1 and 2 are for illustrative purposes only.



*Fig. 1.*



*Fig. 2.*

