

United States Patent [19]

Blanchard

[11] Patent Number: Des. 297,286

[45] Date of Patent: ** Aug. 23, 1988

[54] GARMENT HANGERS

[75] Inventor: Russell O. Blanchard, Zeeland, Mich.

[73] Assignee: Batts, Inc., Zeeland, Mich.

[**] Term: 14 Years

[21] Appl. No.: 904,237

[22] Filed: Sep. 5, 1986

[52] U.S. Cl. D6/326

[58] Field of Search D6/315-319,
D6/326-328; 211/113; 223/85, 91, 93, 96,
DIG. 2; 24/500, 507, 509, 511

[56] References Cited

U.S. PATENT DOCUMENTS

D. 144,681	5/1946	Bolten et al.	D6/315
D. 243,138	1/1977	Coon	D6/326
D. 271,649	12/1983	Batts et al.	D6/328
3,946,915	3/1976	Crane	223/96
4,295,585	10/1981	Garrison	D6/326

4,474,298 10/1984 Bishop 223/85
4,658,996 4/1987 Warmath 223/96

Primary Examiner—B. J. Bullock

Attorney, Agent, or Firm—Price, Heneveld, Cooper,
DeWitt & Litton

[57] CLAIM

The ornamental design for a garment hangers, as shown and described.

DESCRIPTION

FIG. 1 is a front elevational view of a garment hanger showing my new design;

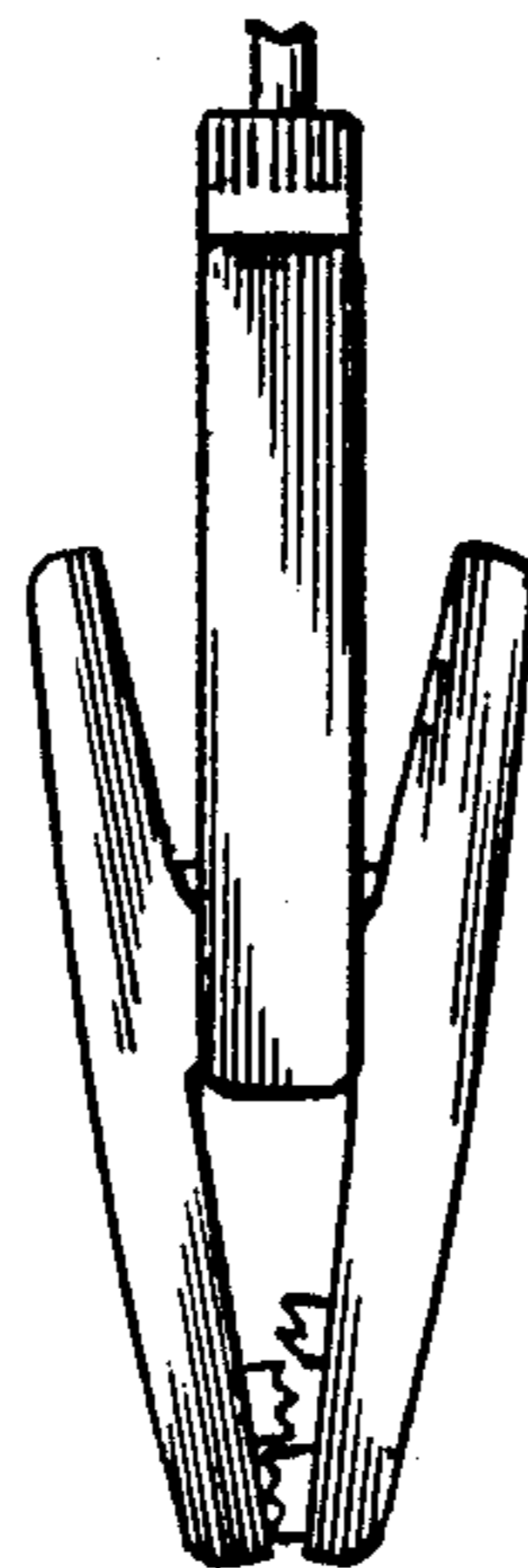
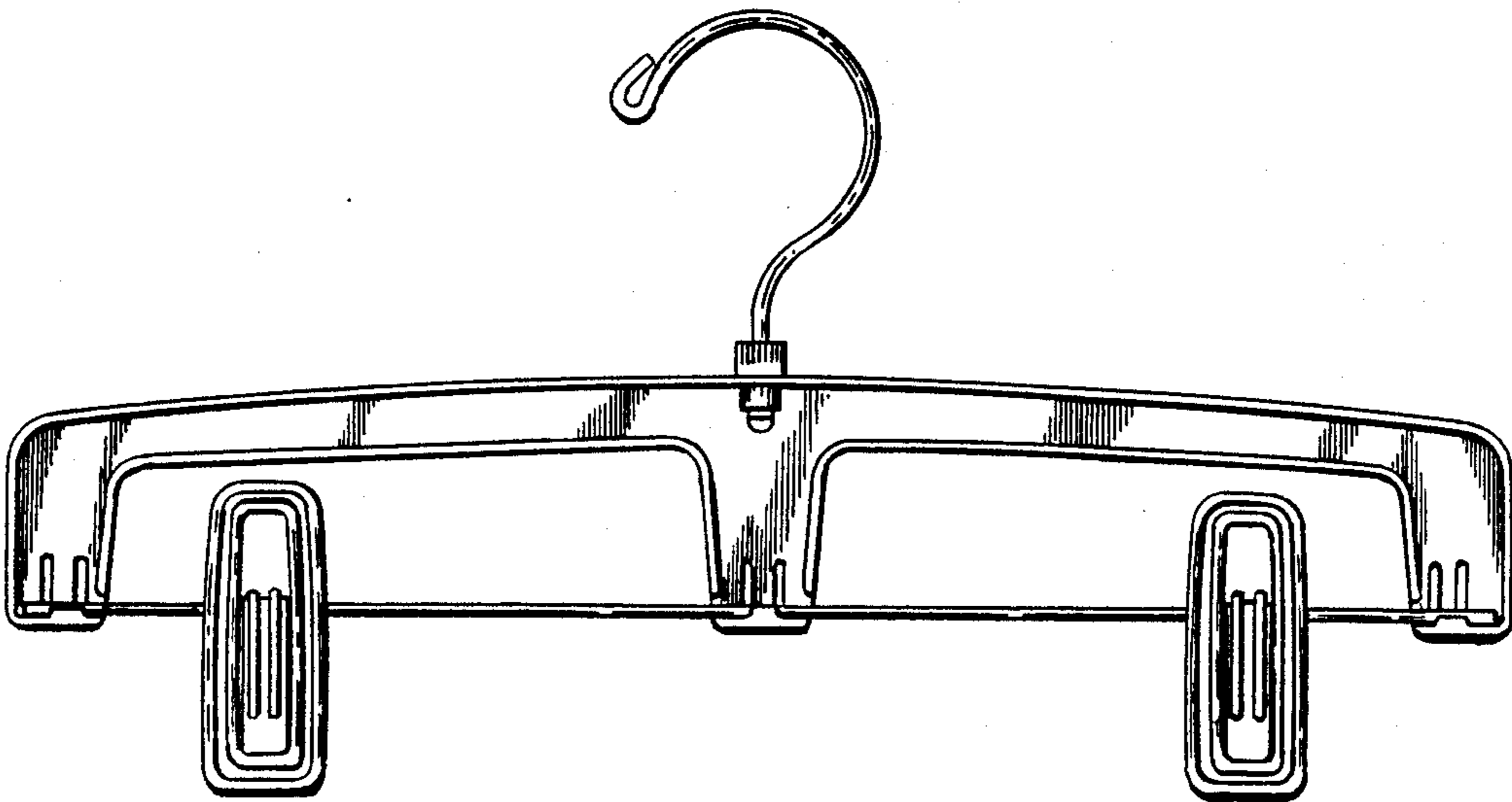
FIG. 2 is a rear elevational view thereof;

FIG. 3 is a top plan view thereof;

FIG. 4 is a bottom plan view thereof; and

FIG. 5 is an enlarged right side elevational view thereof, the side opposite being substantially a mirror image.

The hook is omitted in FIGS. 2 and 5 for ease of illustration.



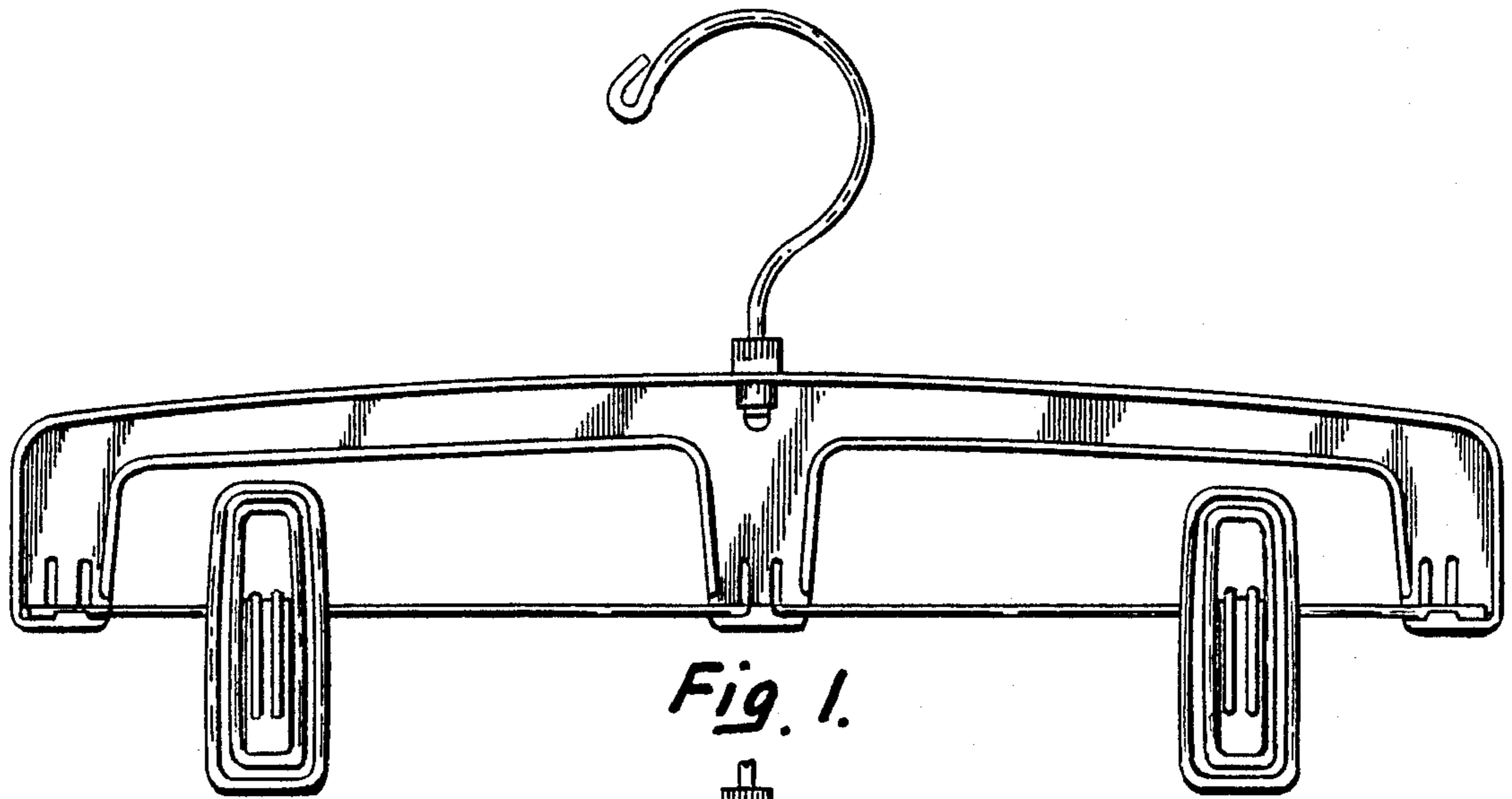


Fig. 1.

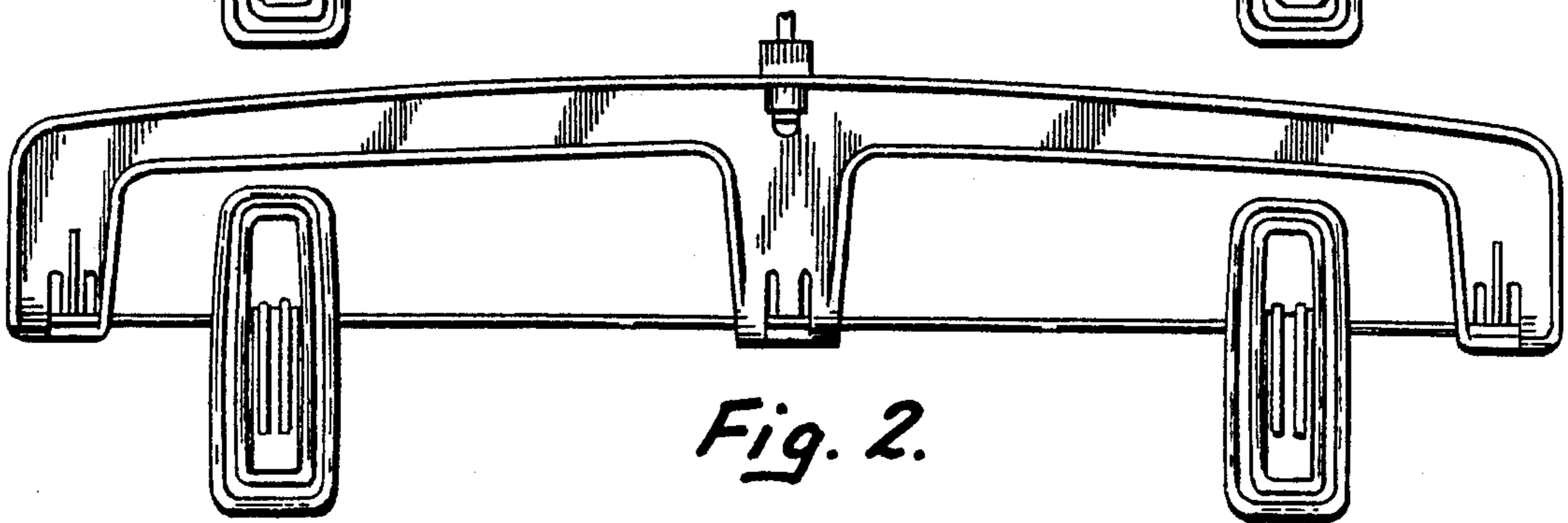


Fig. 2.

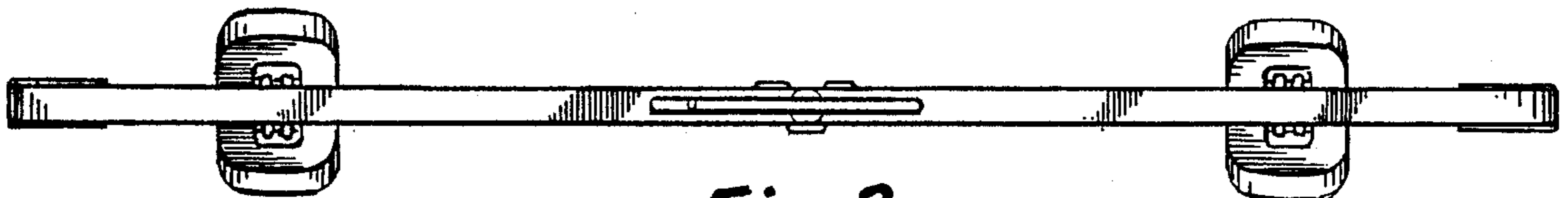


Fig. 3.

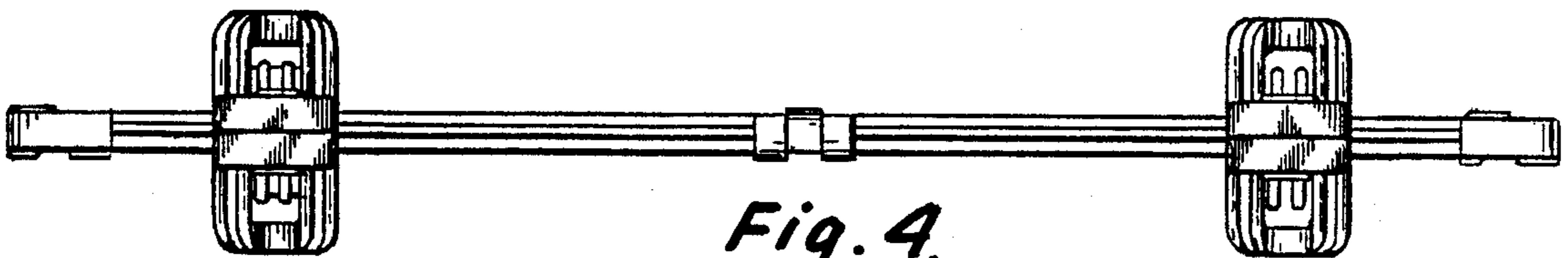


Fig. 4.

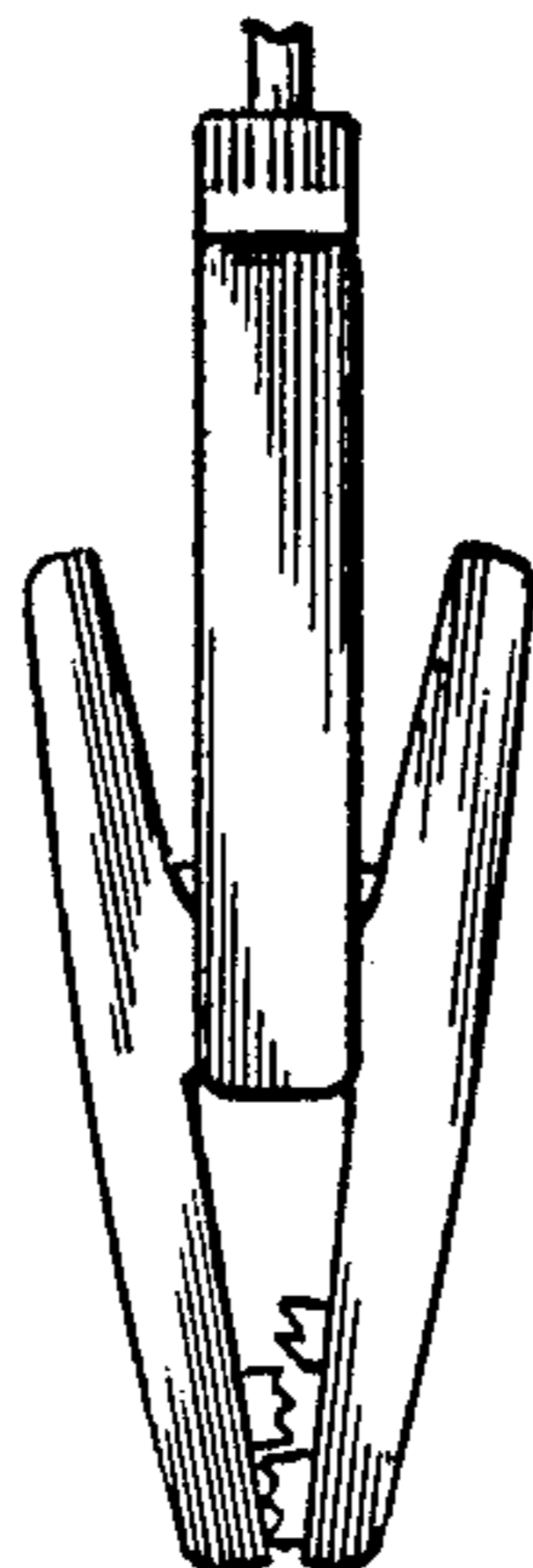


Fig. 5.